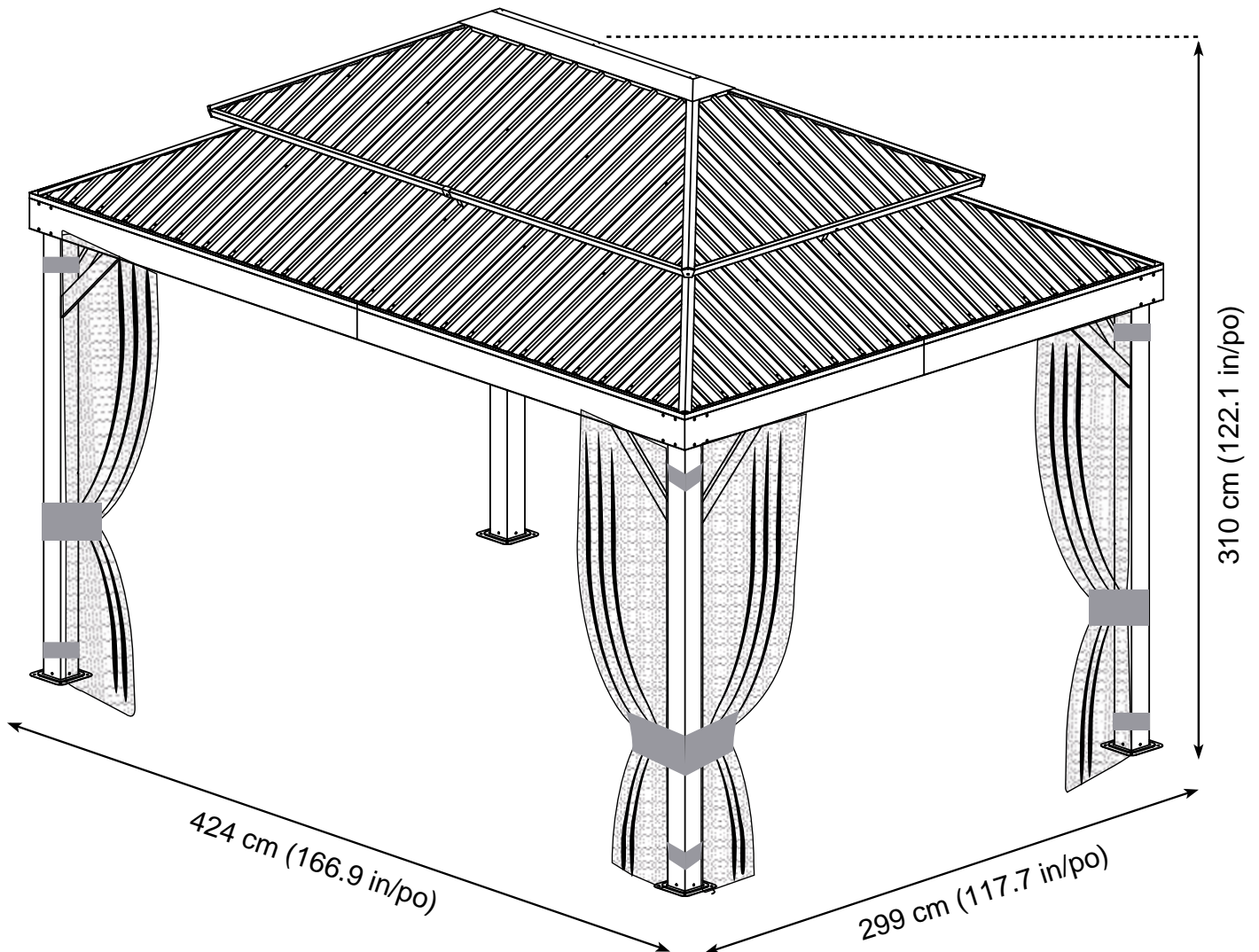
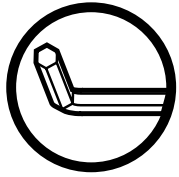


SOJAG

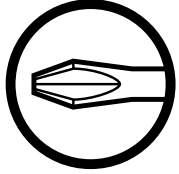
QUESTIONS? +49 (0) 6571 / 95117-0

Assembly Manual / Guide d'assemblage / Manual de ensamble / 조립설명서 / Montageanleitung





Use the hex keys in the box. / Utilisez les clés hexagonales fournies dans la boîte. / Utilice las llaves hexagonales en la caja. / 상자에 육각 키를 사용 하십시오. / Verwenden Sie die Sechskantschlüssel in der Box.



Please use a Phillips screwdriver. / Utilisez un tournevis de type Phillips / Por favor, use un destornillador Phillips. / 십자 드라이버를 사용 하십시오. / Bitte verwenden Sie einen Kreuzschraubenzieher.



You may need to use a drill for this step. / Vous pouvez avoir besoin d'utiliser une perceuse pour cette étape. / Puede que tenga que utilizar un taladro para este paso. / 이 단계에선 드릴을 사용해야 할 수도 있습니다. / Für diesen Schritt können Sie einen Bohrer verwenden.



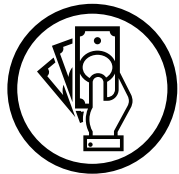
Wearing protective gloves is recommended. / Le port de gants de protection est recommandé / El uso de guantes de protección se recomienda. / 보호 장갑을 착용 하는 것이 좋습니다. / Das Tragen von Schutzhandschuhen wird empfohlen.



Two or more people are required at this stage. / Deux personnes ou plus sont nécessaires à cette étape. / Dos o más personas se requieren en esta etapa. / 이 단계에서는 두 명 이상 이 필요합니다. / Für diesen Bauschritt sind 2 oder mehr Personen erforderlich.



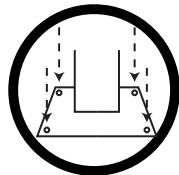
Do not tighten screws all the way for now. / Ne pas visser fermement pour l'instant. / No atornille con firmeza por ahora. / 아직 나사를 단단히 조이지 마십시오. / Bitte die Schrauben zum jetzigen Zeitpunkt noch nicht fest anziehen.



Sold separately. / Vendus séparément. / vendido en las opciones. / 옵션 판매 / Optional erhältlich

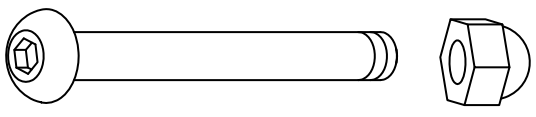


Optional step / Étape optionnelle / Paso opcional / 선택적 단계 / Optionaler Schritt

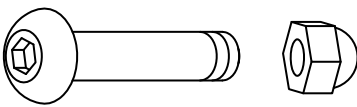


The gazebo must be anchored (hardware not included) / Le gazébo doit être ancré (quincaillerie non incluse) / El gazebo debe estar anclado (herramientas no incluidas) / gaze보를 반드시 바닥에 고정 시키세요. (고정 나사 부품 미포함) / Muss am Boden verankert werden, Befestigungsmaterial nicht im Lieferumfang enthalten

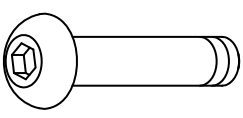
S X 20 (+2)

A technical drawing showing a bolt with a hexagonal head and a nut with a hexagonal shape.

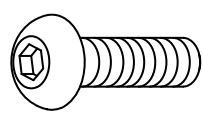
T X 72 (+7)

A technical drawing showing a bolt with a hexagonal head and a nut with a hexagonal shape.

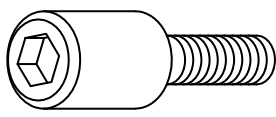
U X 8 (+2)

A technical drawing of a bolt with a hexagonal head.

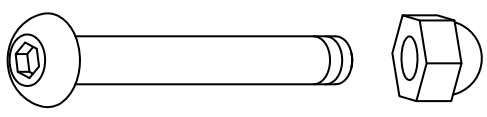
V X 279 (+10)

A technical drawing of a bolt with a hexagonal head and a threaded section.

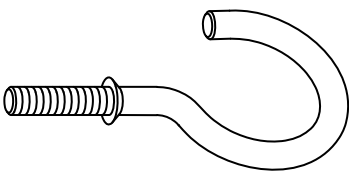
X X 32 (+3)

A technical drawing of a bolt with a hexagonal head and a threaded section.

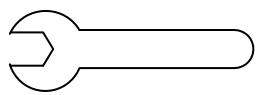
X1 X 4 (+2)

A technical drawing showing a bolt with a hexagonal head and a nut with a hexagonal shape.

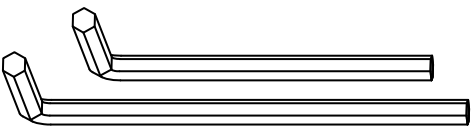
Wa X 3

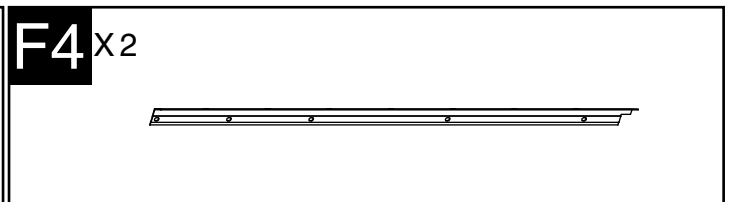
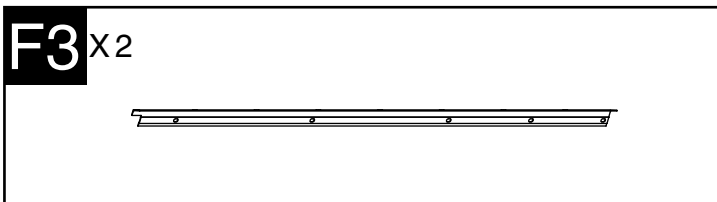
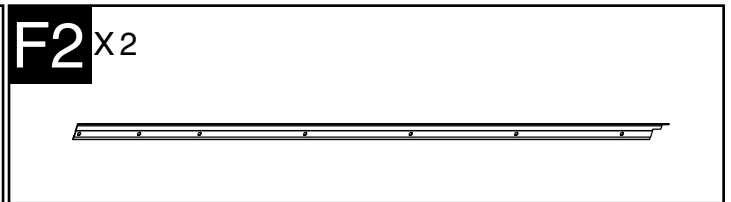
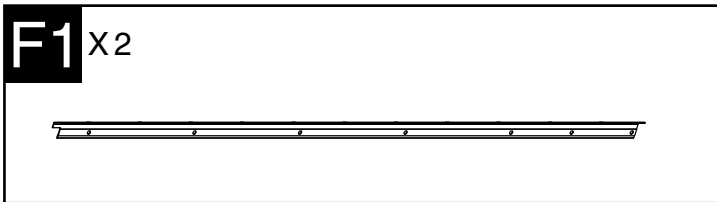
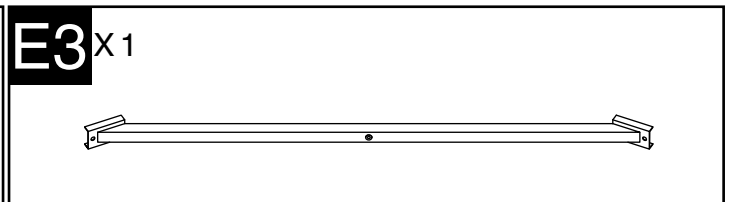
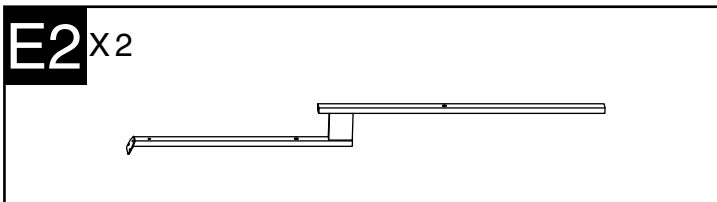
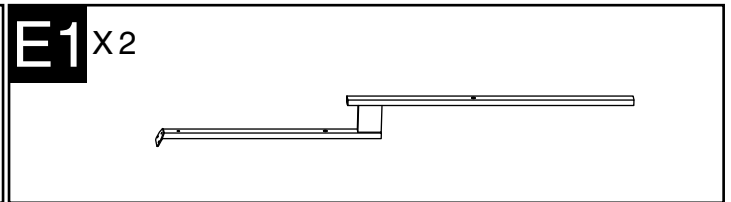
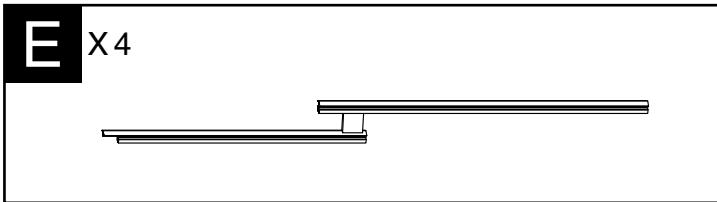
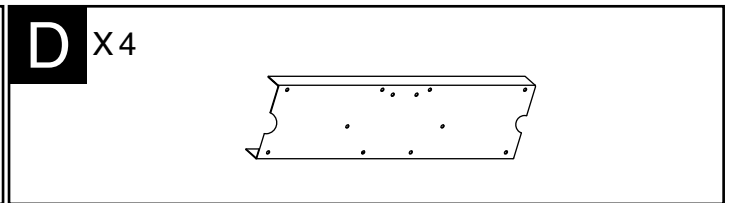
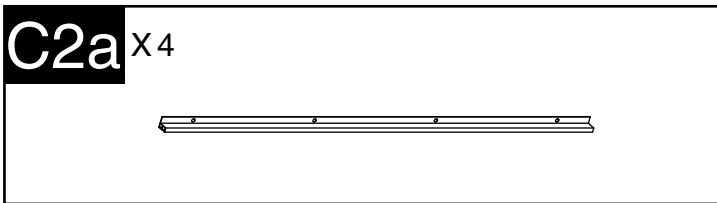
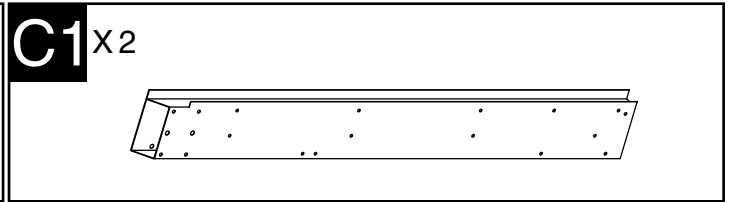
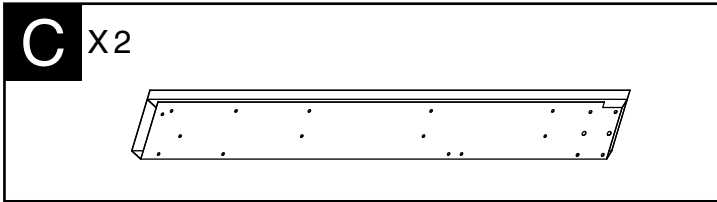
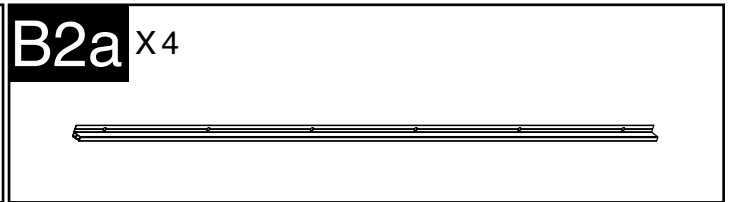
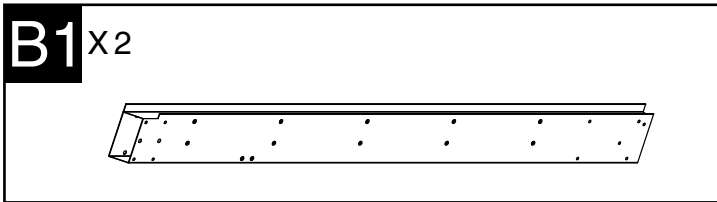
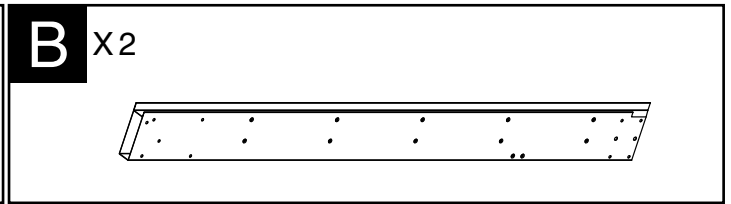
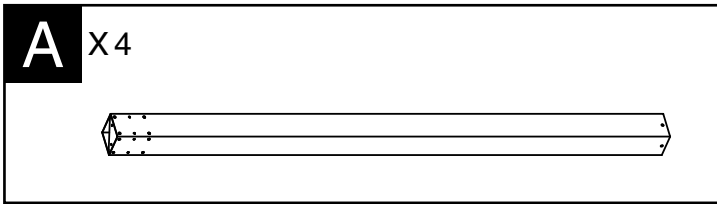
A technical drawing of a hook bolt with a threaded section and a curved hook end.

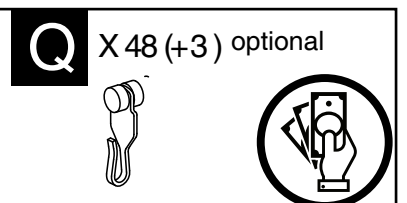
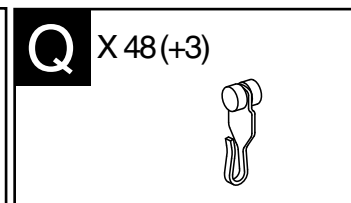
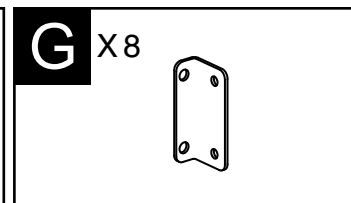
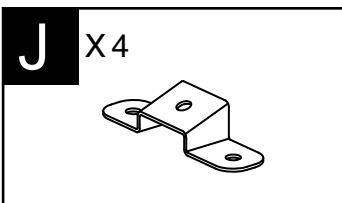
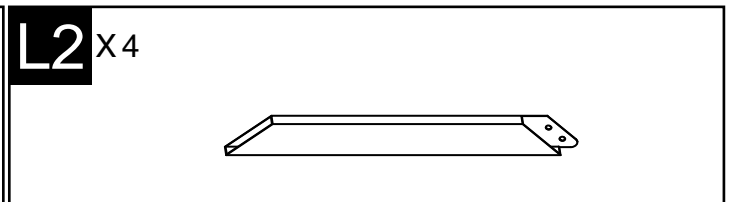
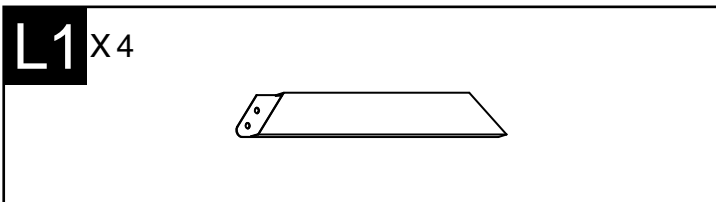
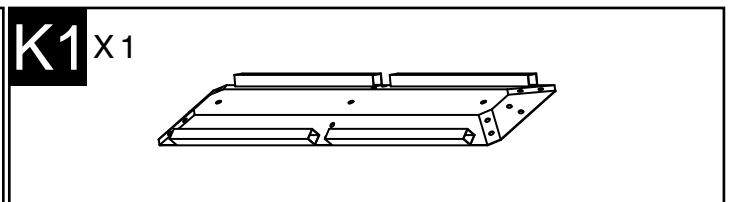
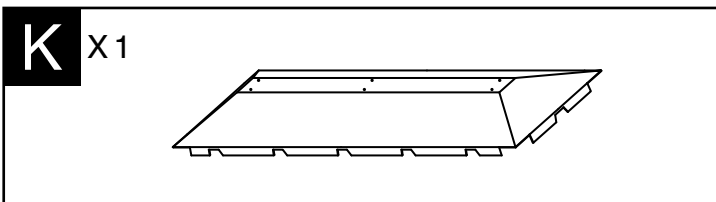
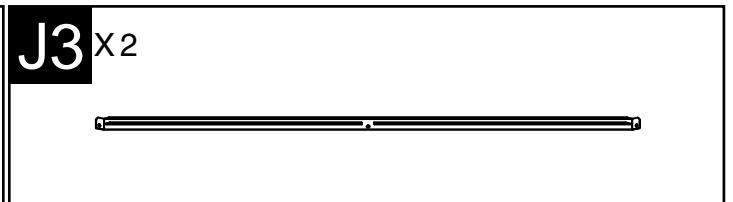
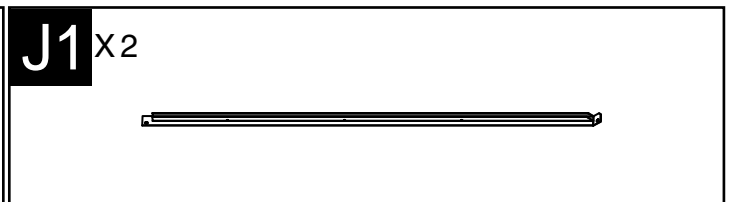
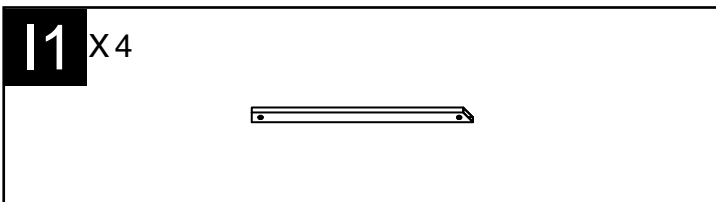
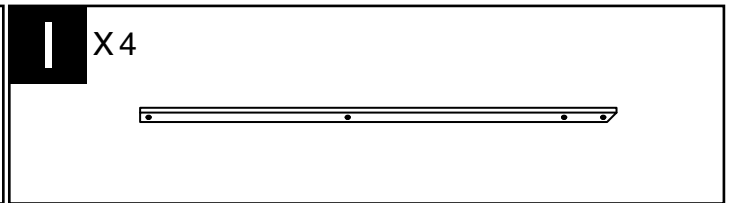
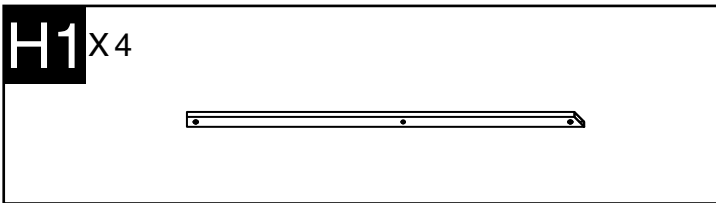
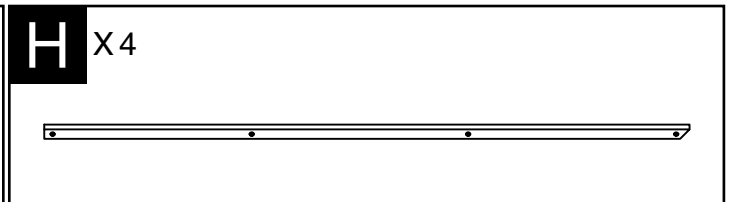
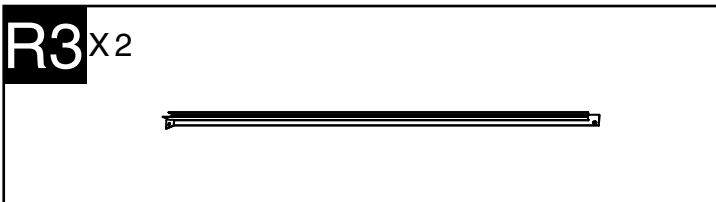
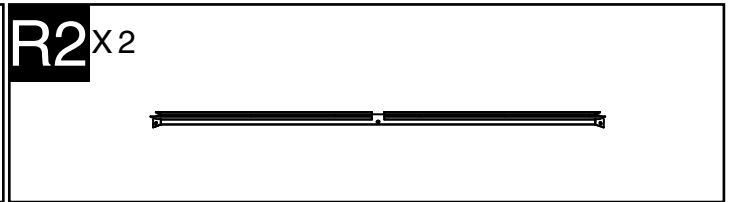
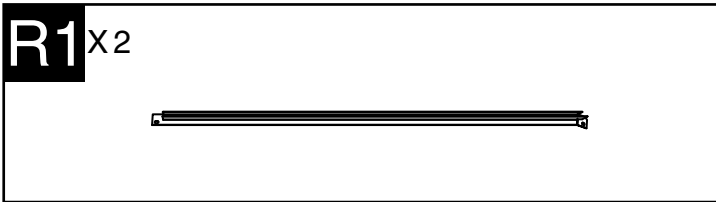
W2 X 1

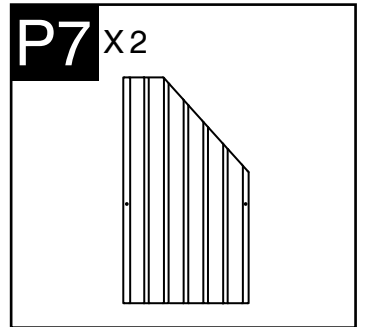
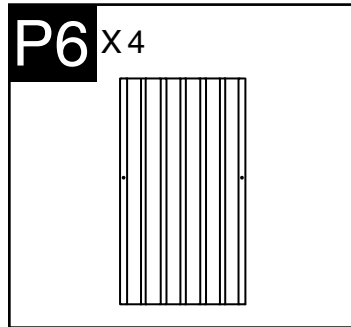
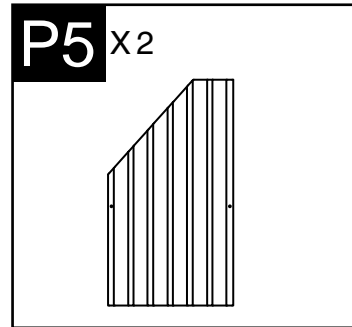
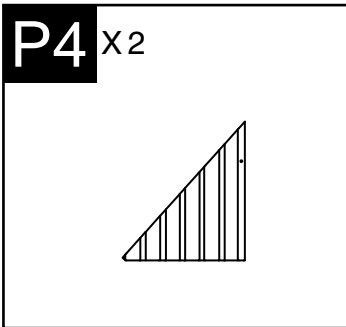
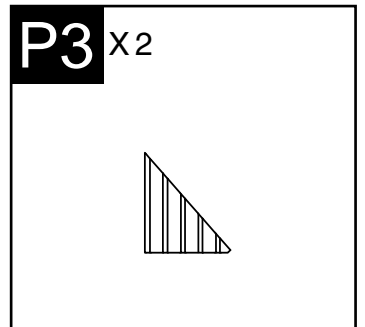
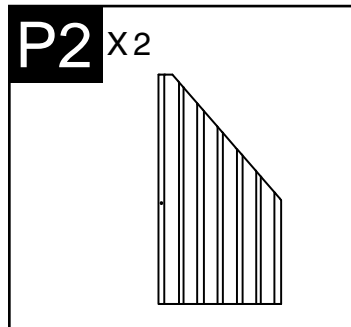
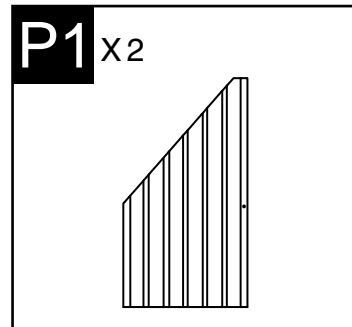
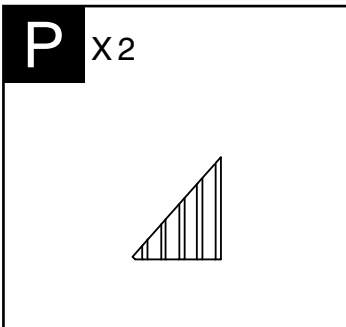
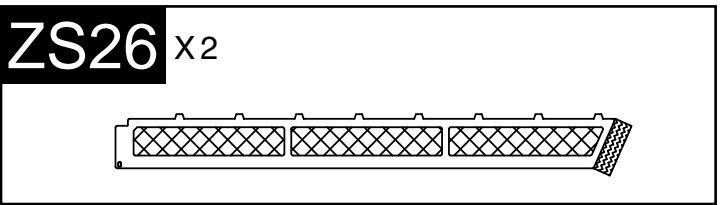
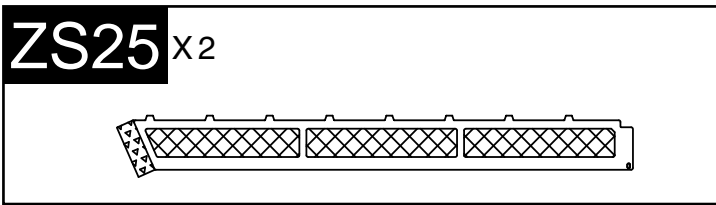
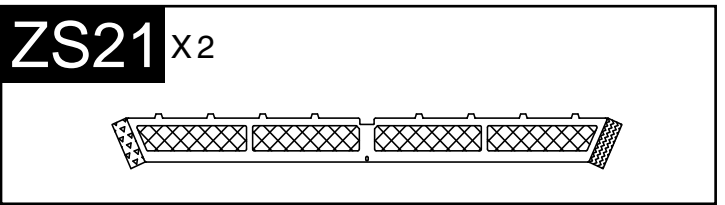
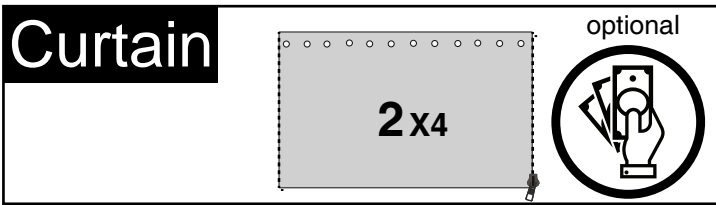
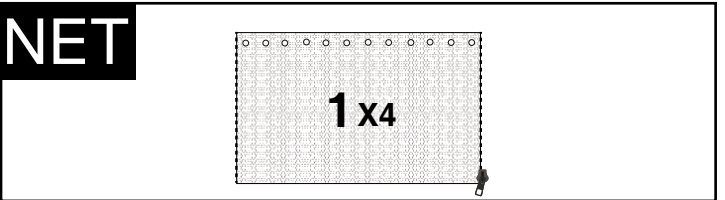
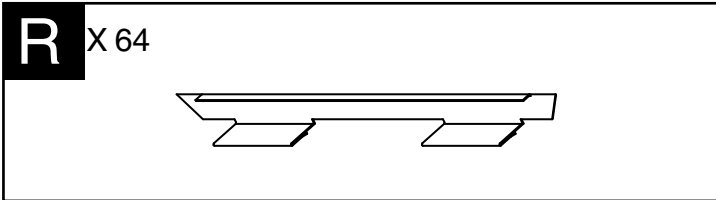
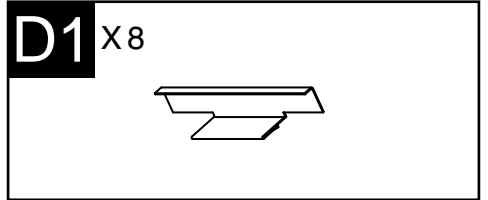
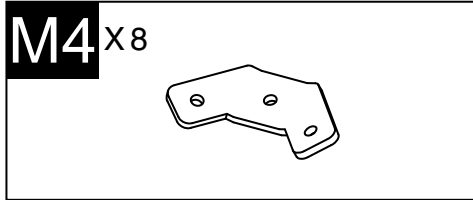
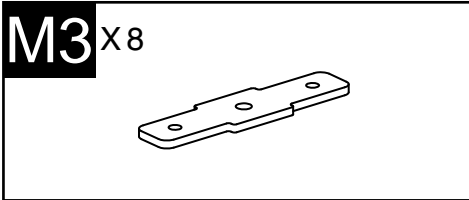
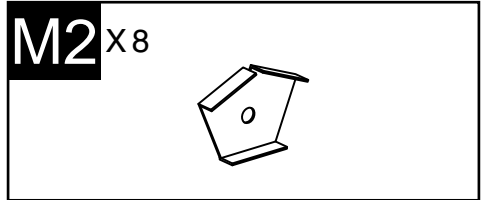
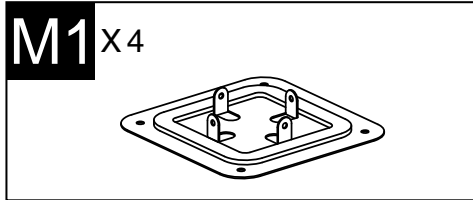
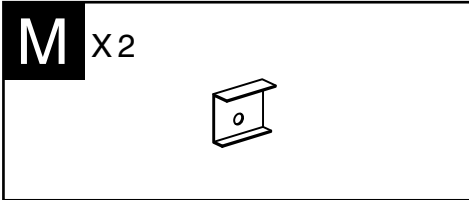
A technical drawing of a wrench with a long handle and two open ends.

Z X 1

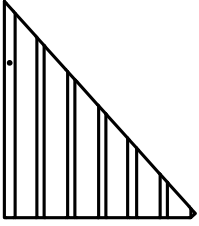
A technical drawing showing two bolts with hexagonal heads and threaded sections.



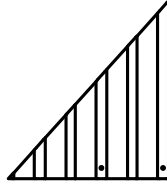




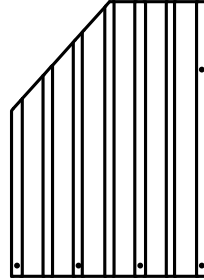
P8 x2



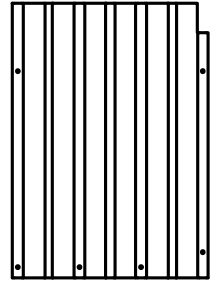
O x2



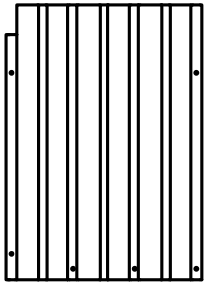
O1 x2



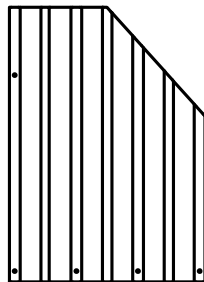
O2 x2



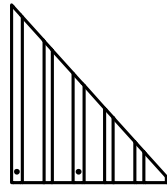
O3 x2



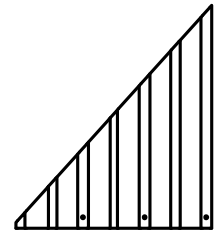
O4 x2



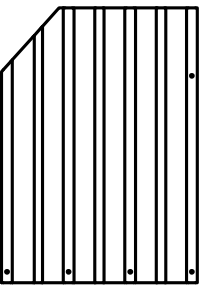
O5 x2



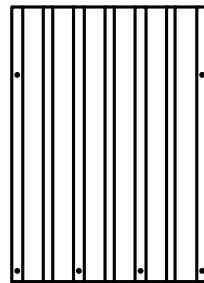
N x2



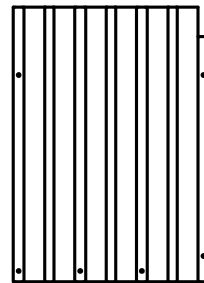
N1 x2



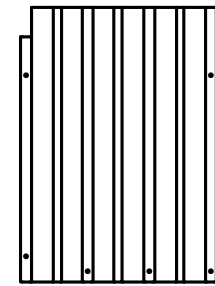
N2 x4



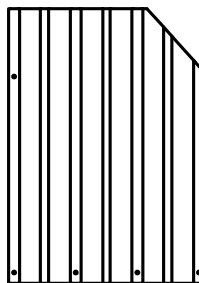
N3 x2



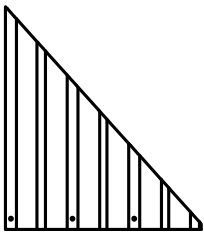
N4 x2



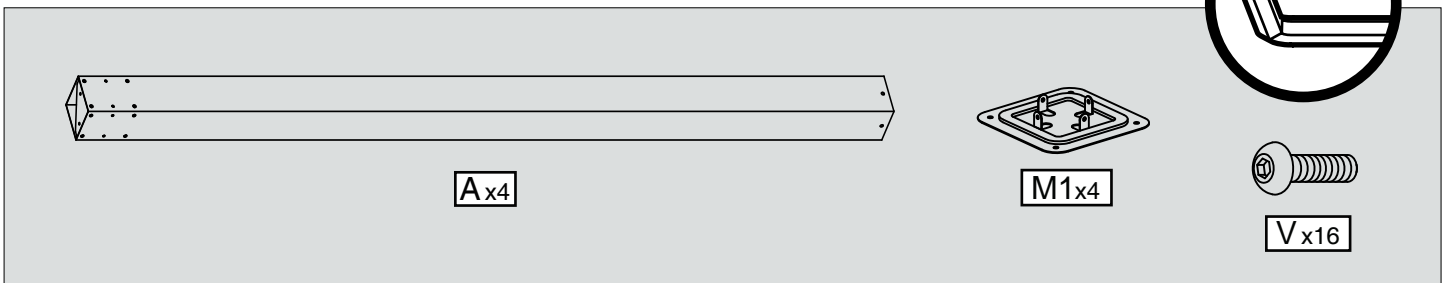
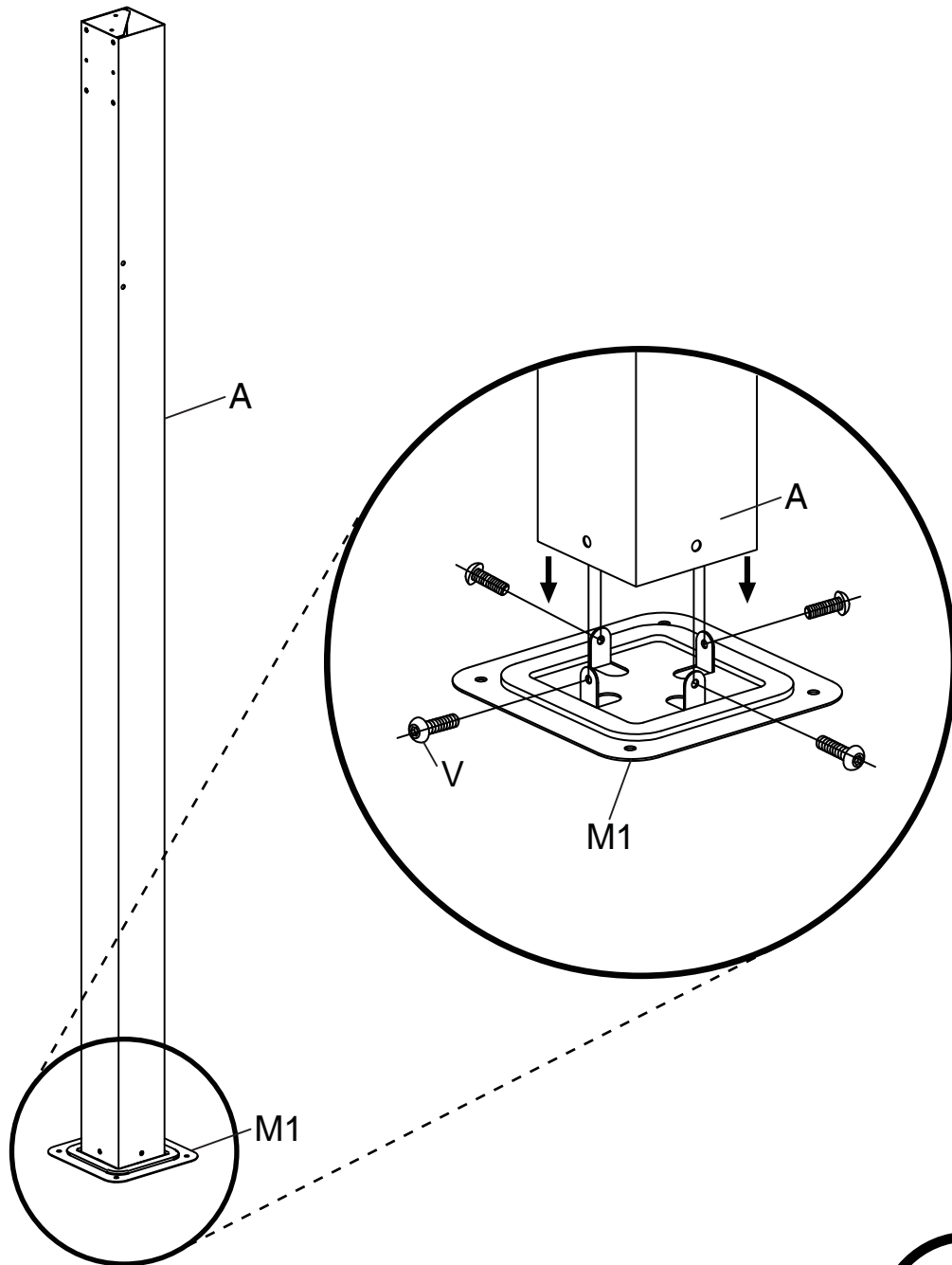
N5 x2

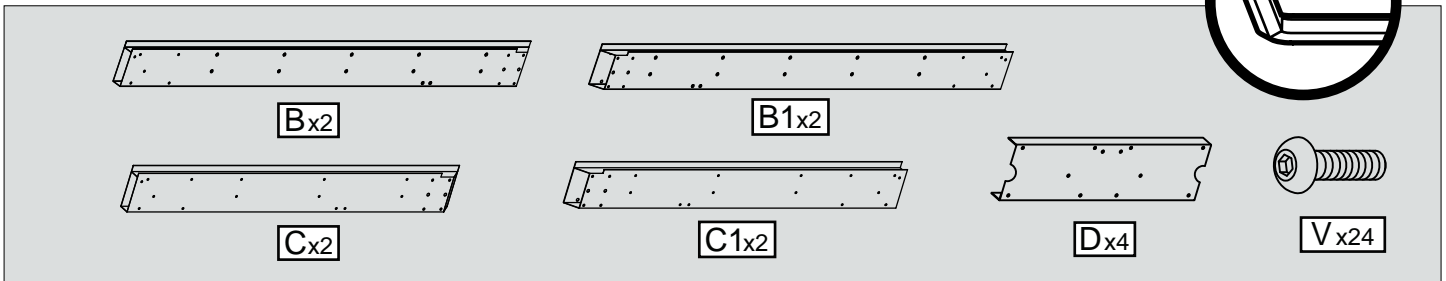
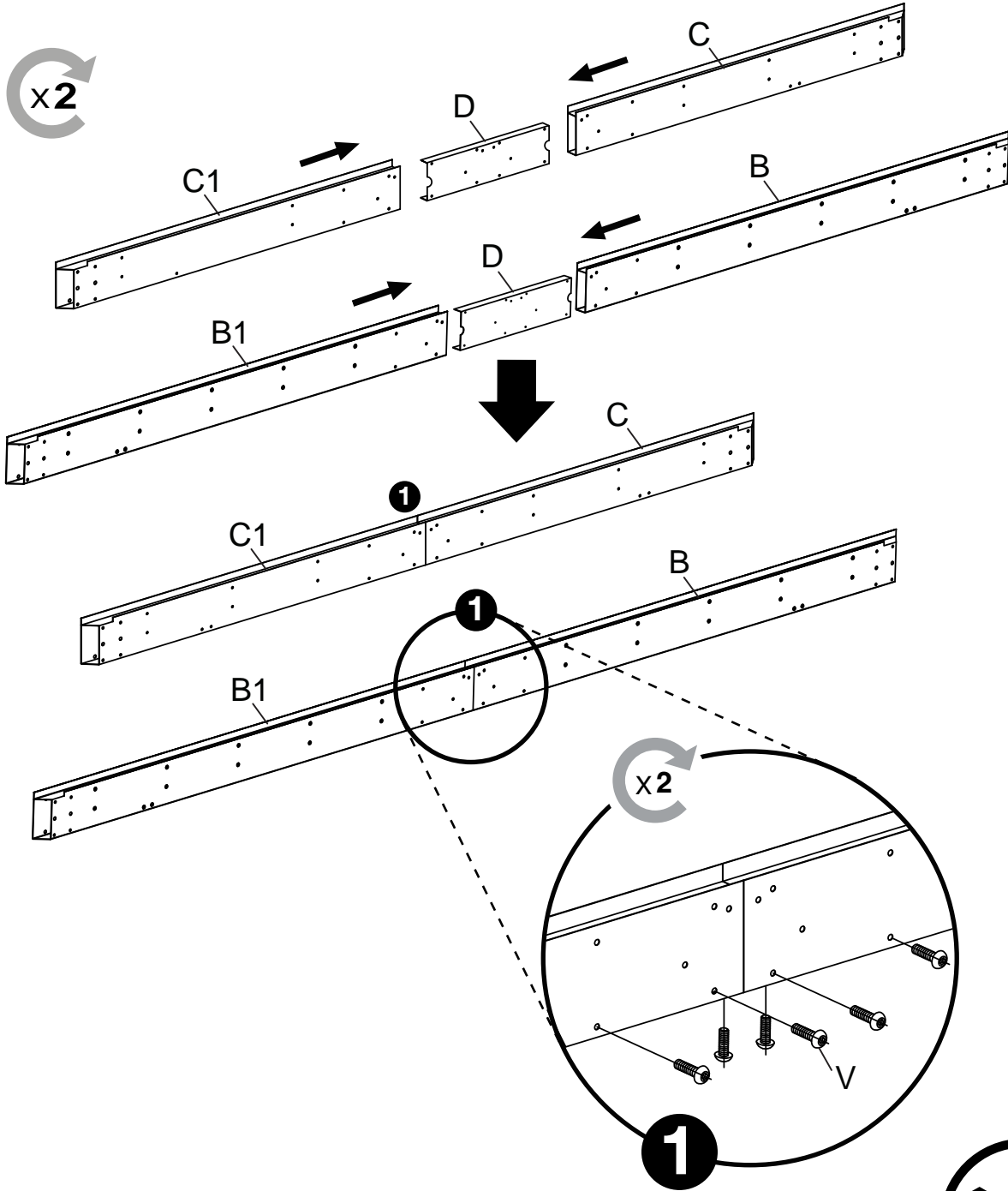


N6 x2



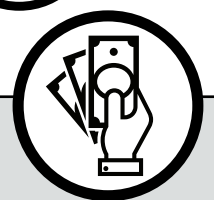
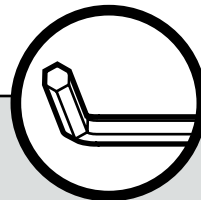
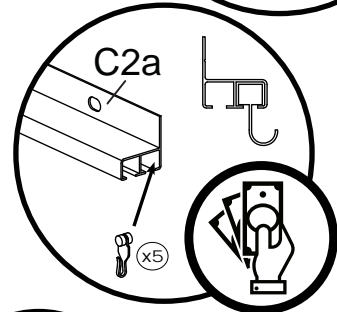
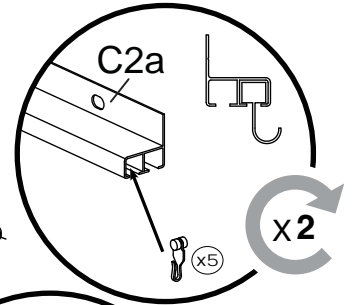
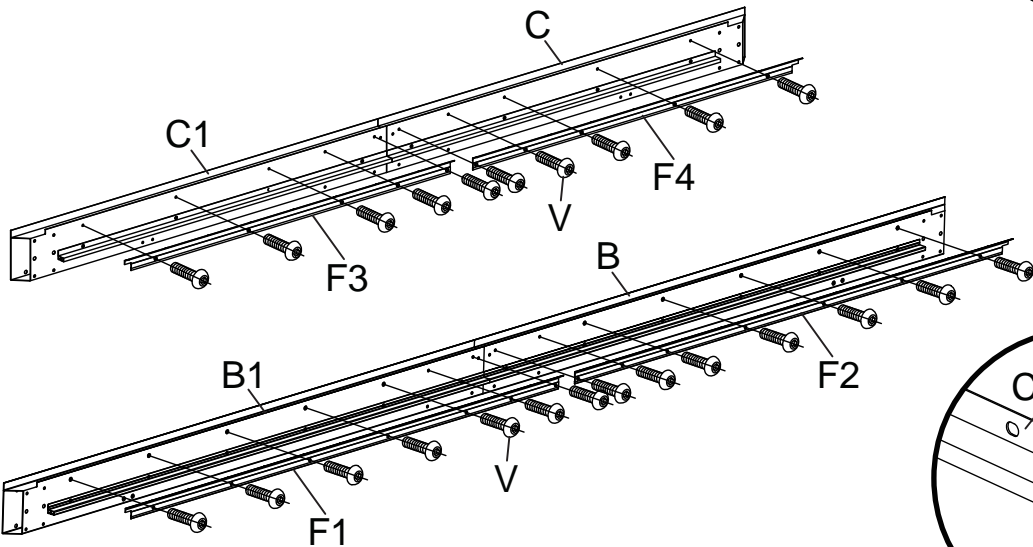
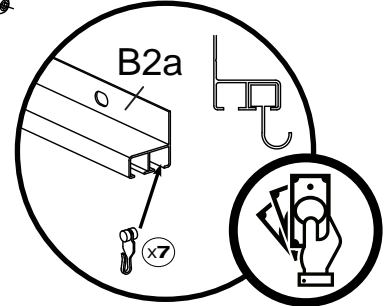
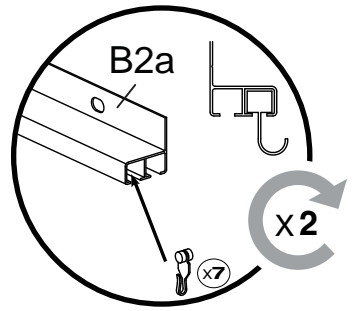
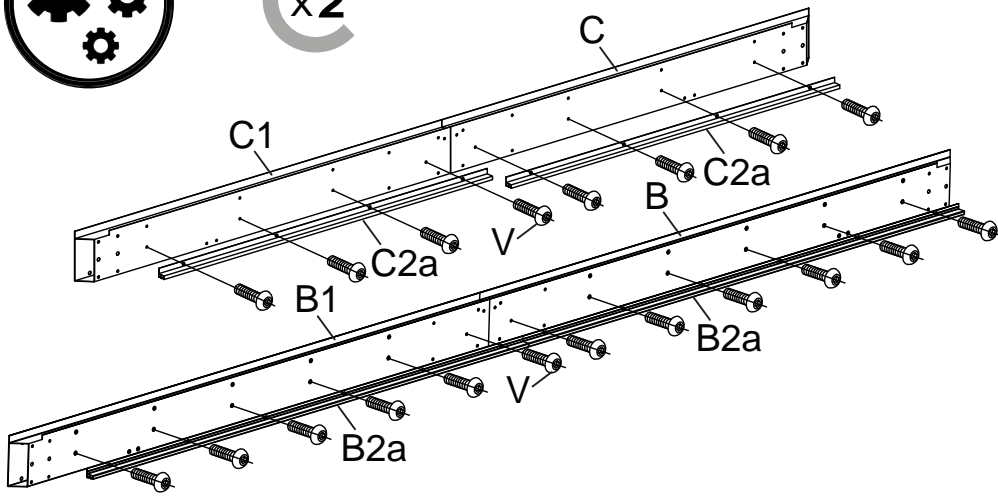
x4









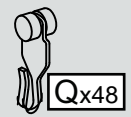
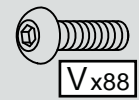


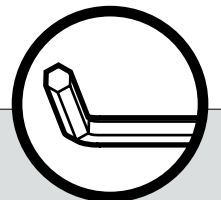
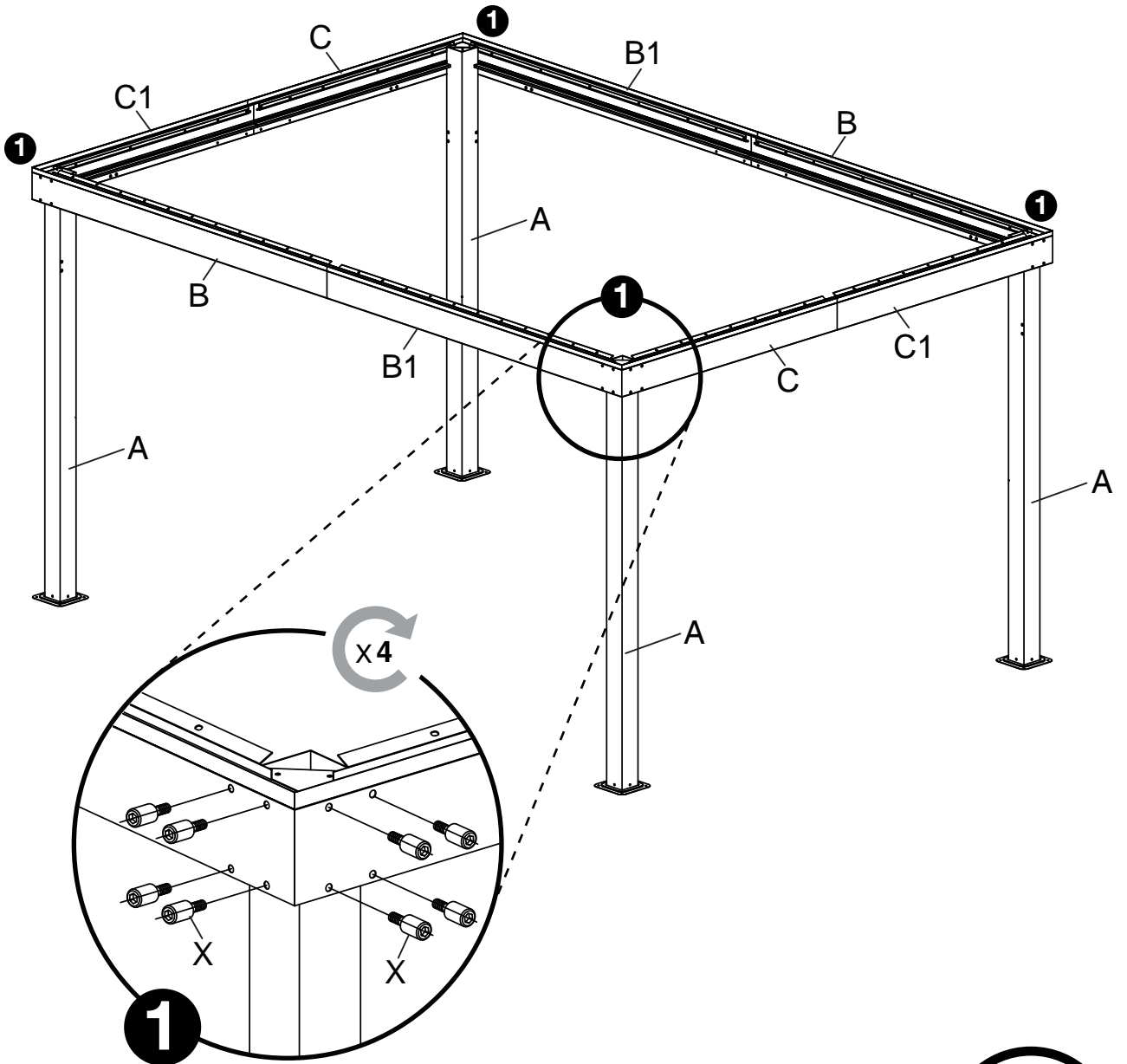


x2

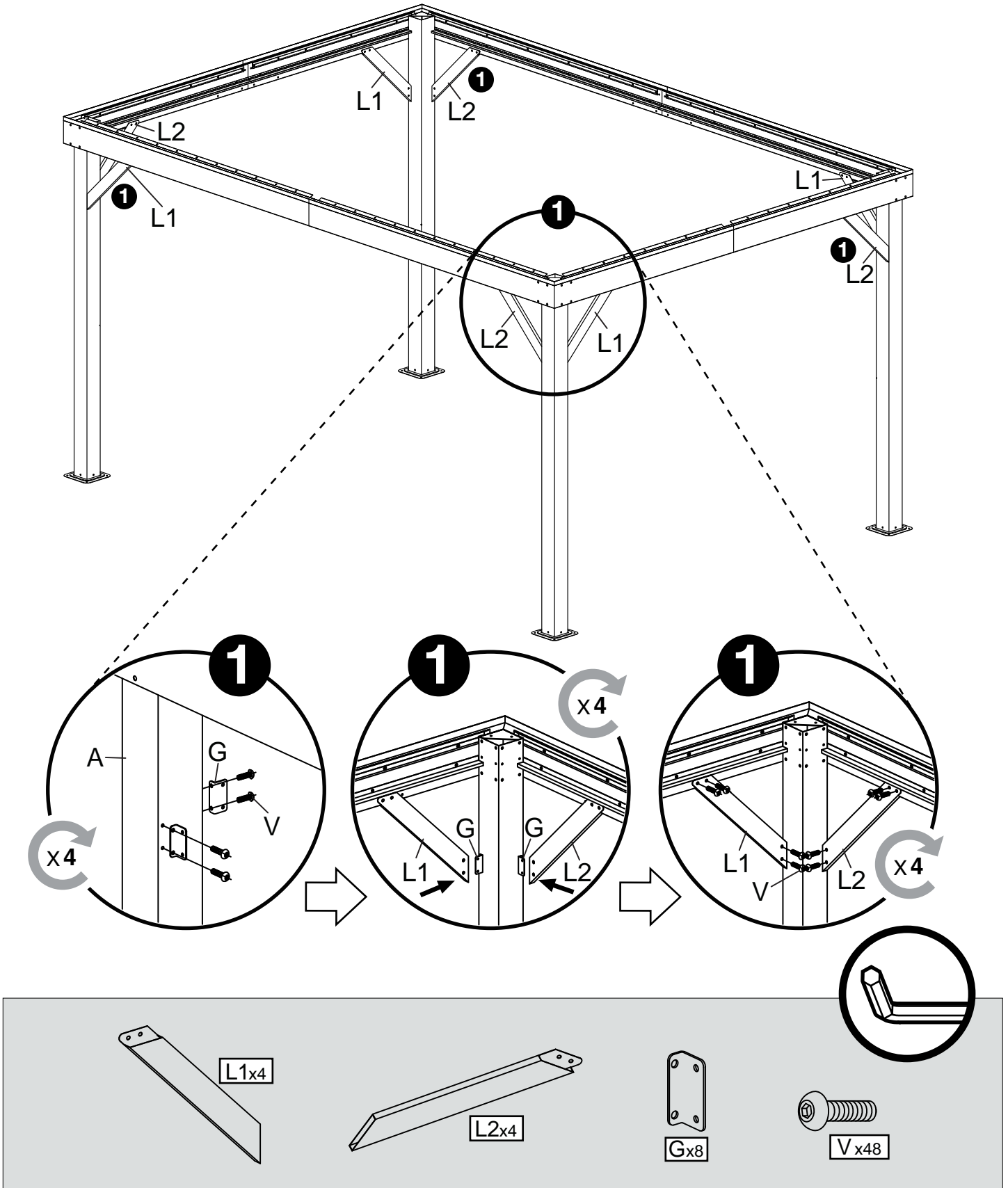


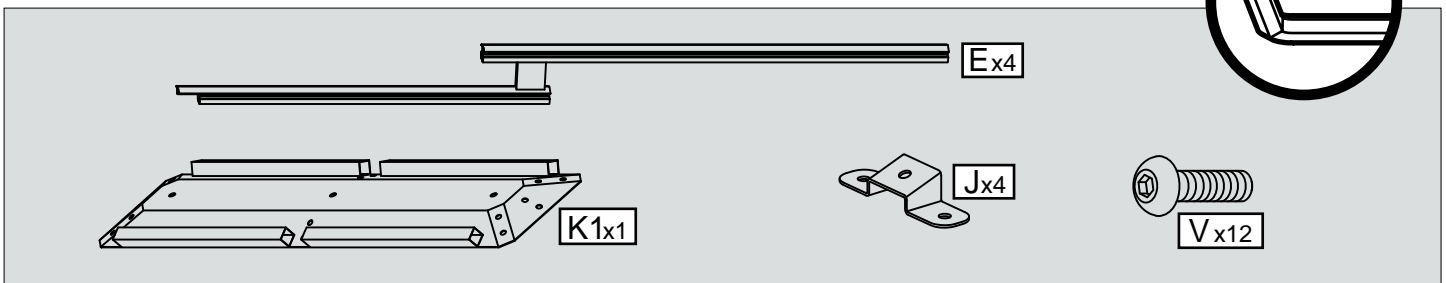
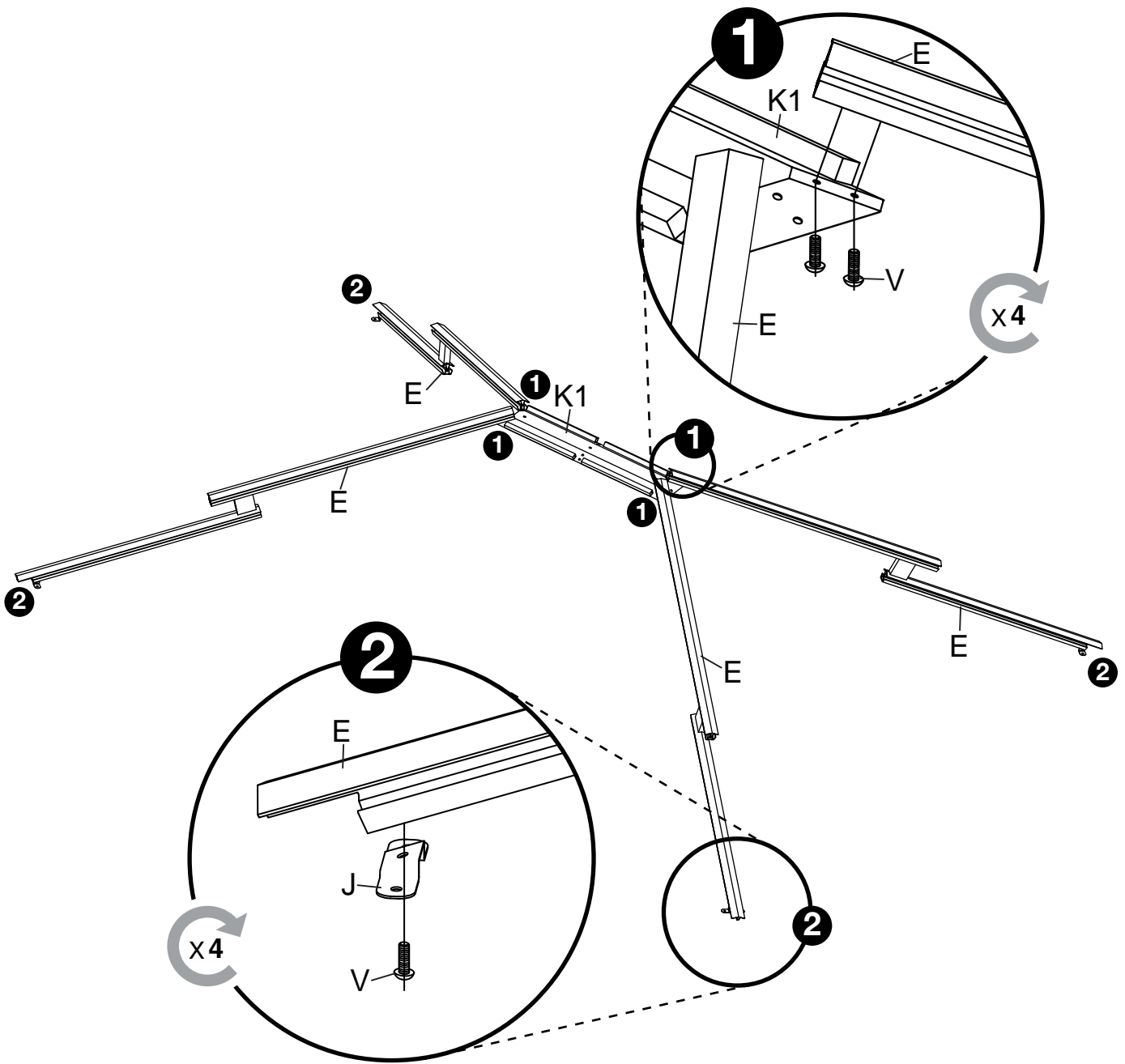
-  B2ax4
-  C2ax4
-  F1x2
-  F2x2
-  F3x2
-  F4x2

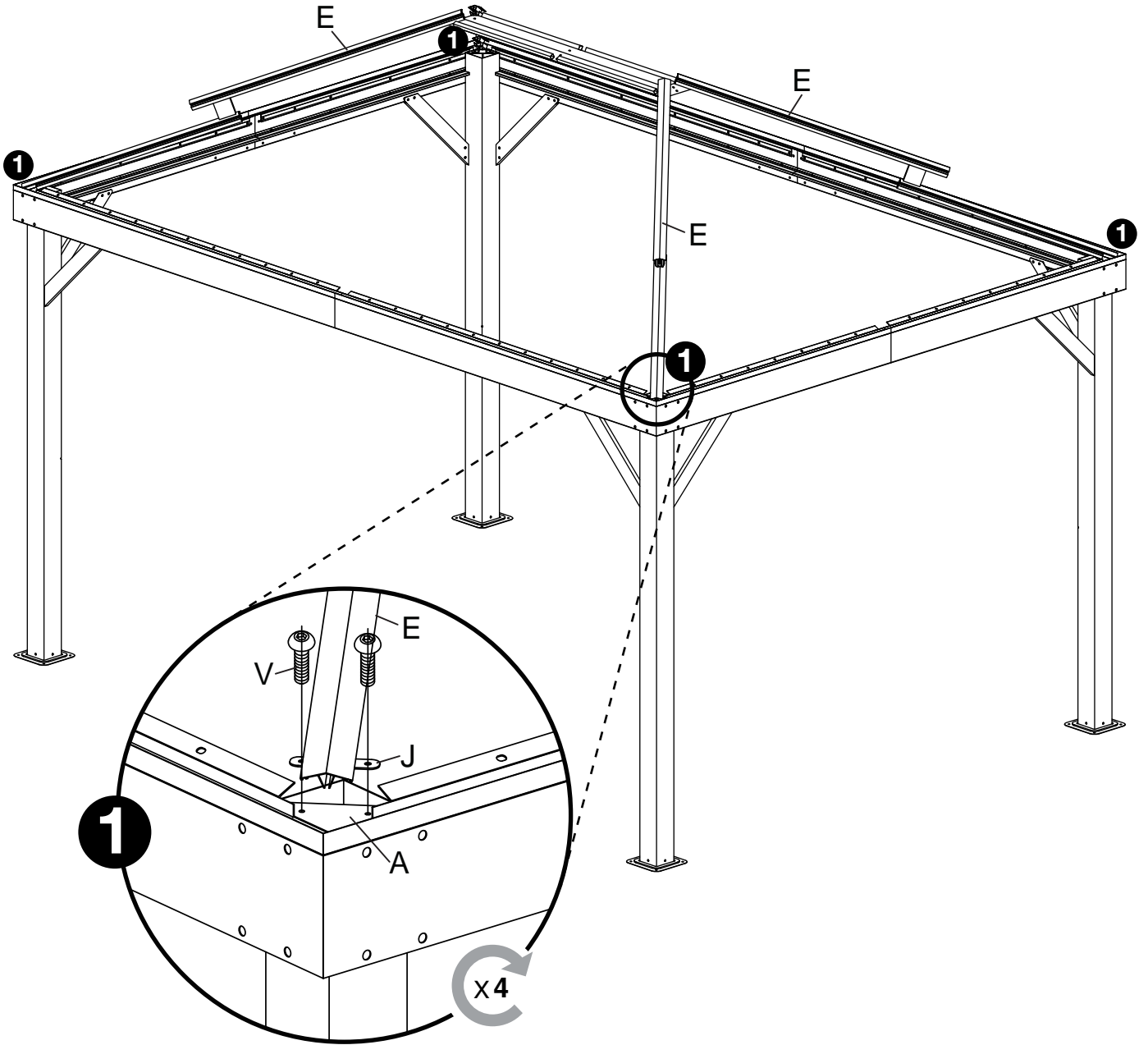


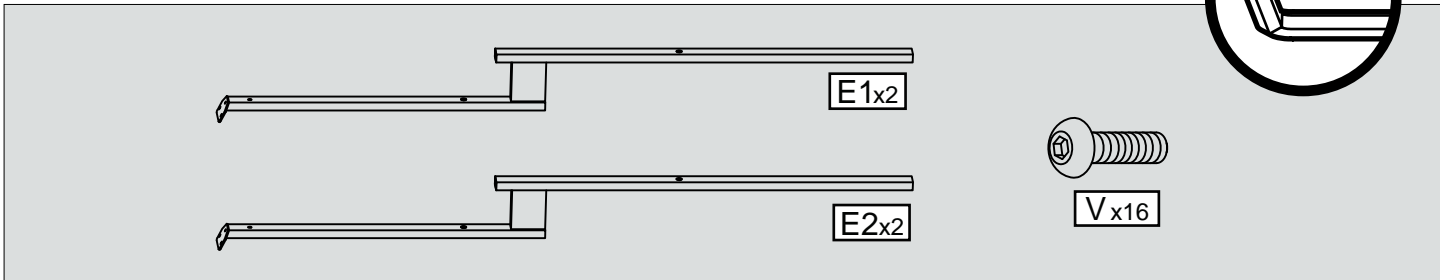
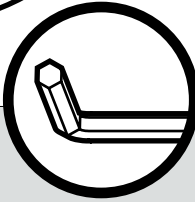
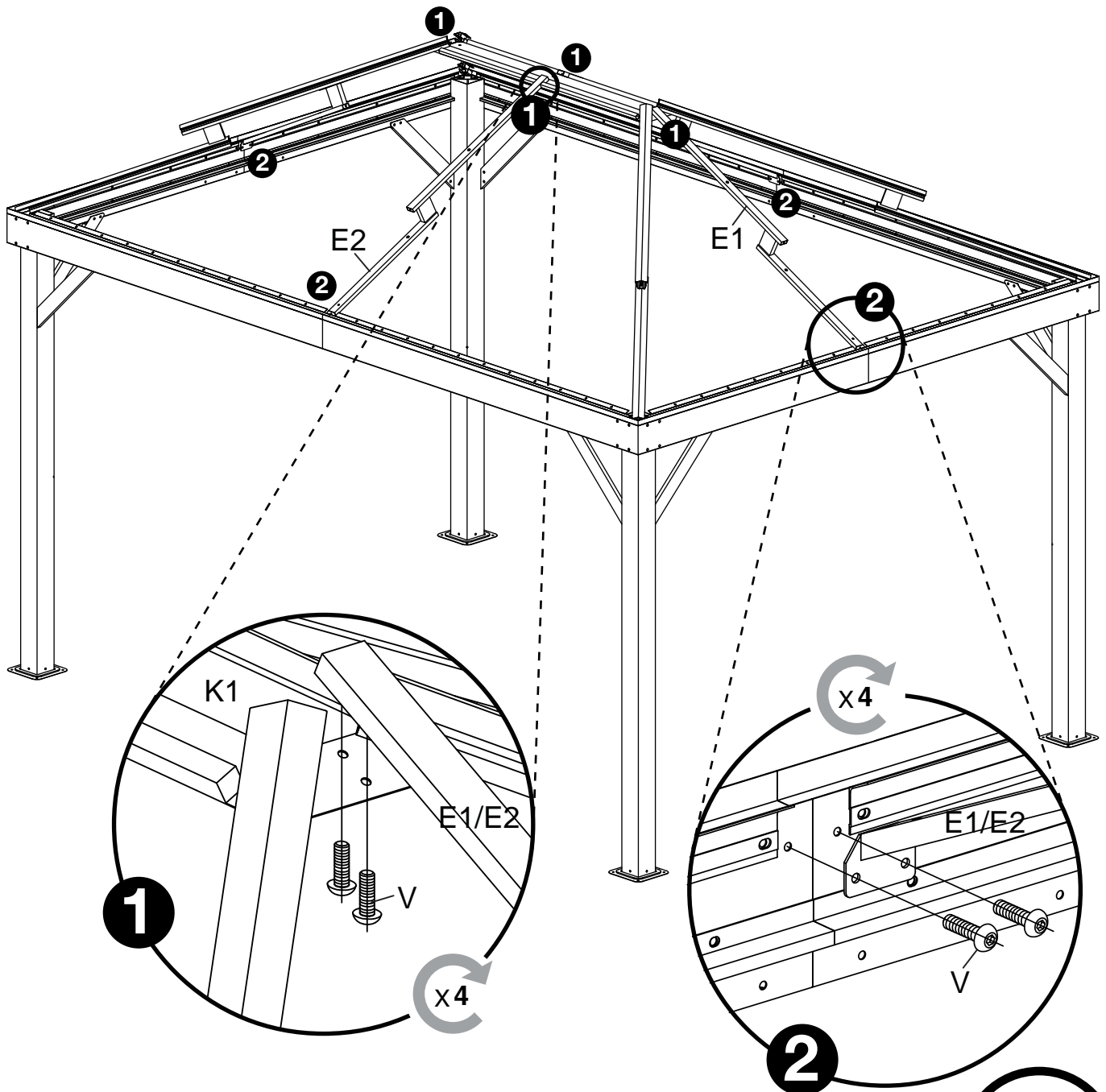


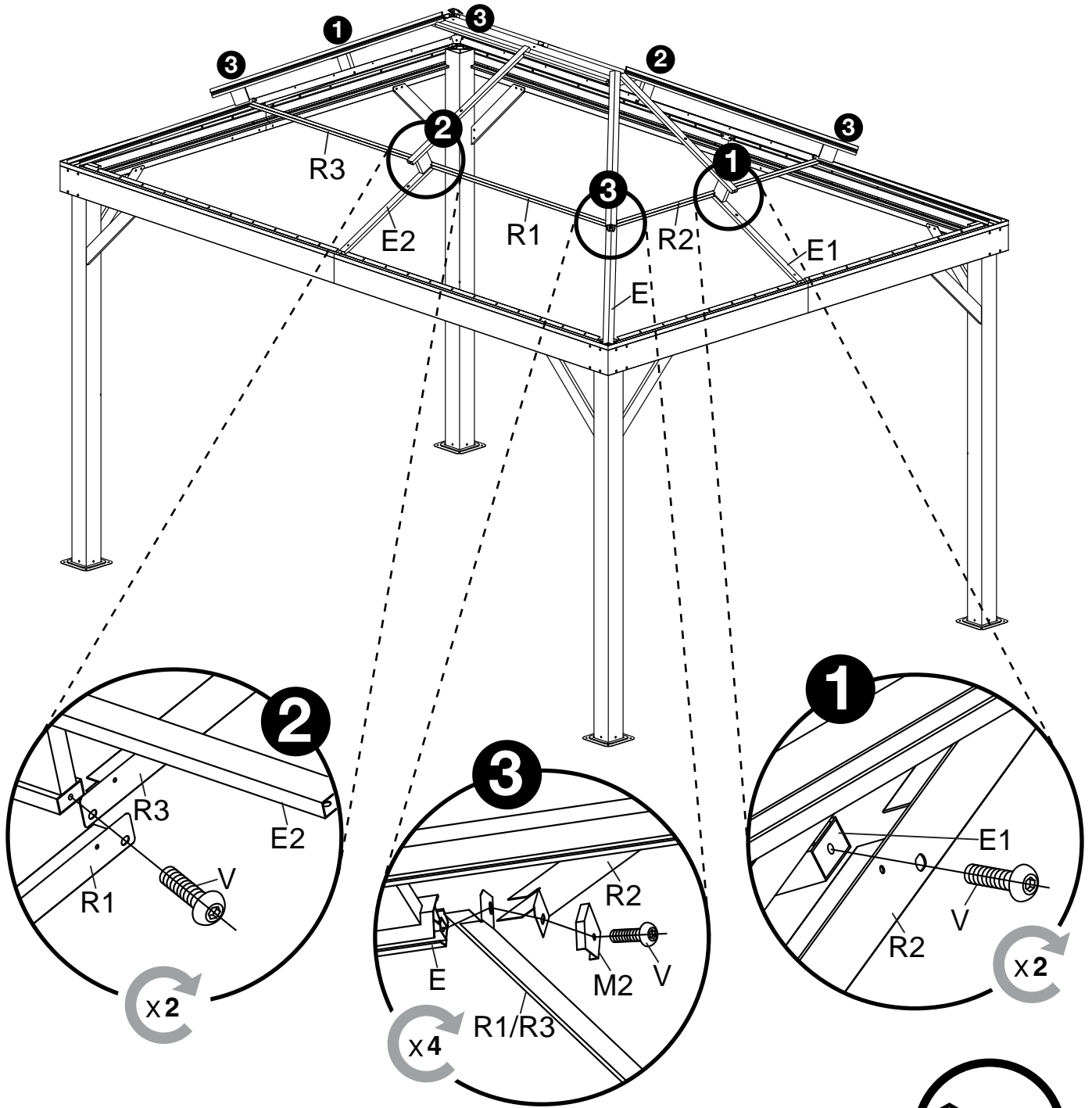
X x32







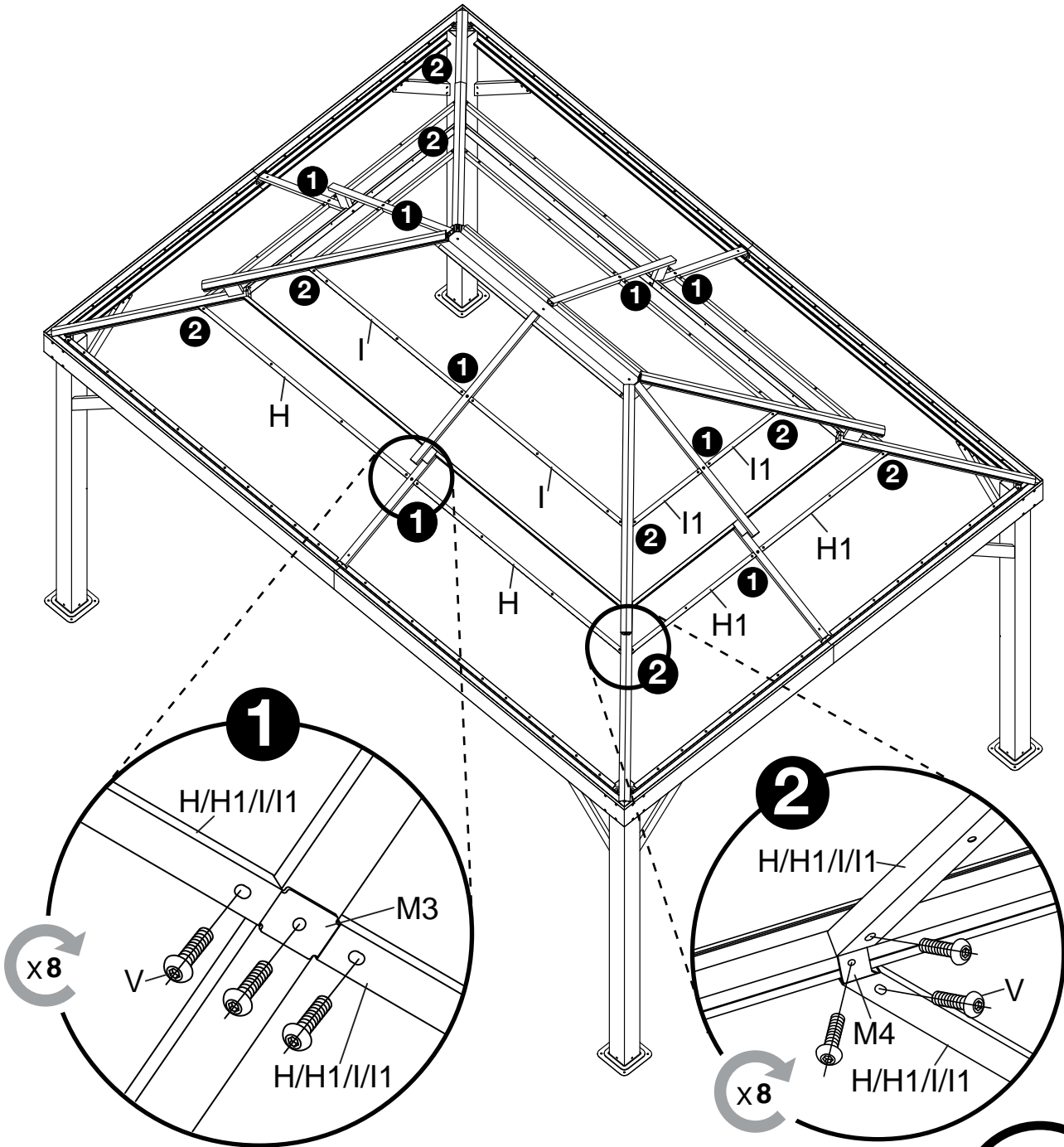




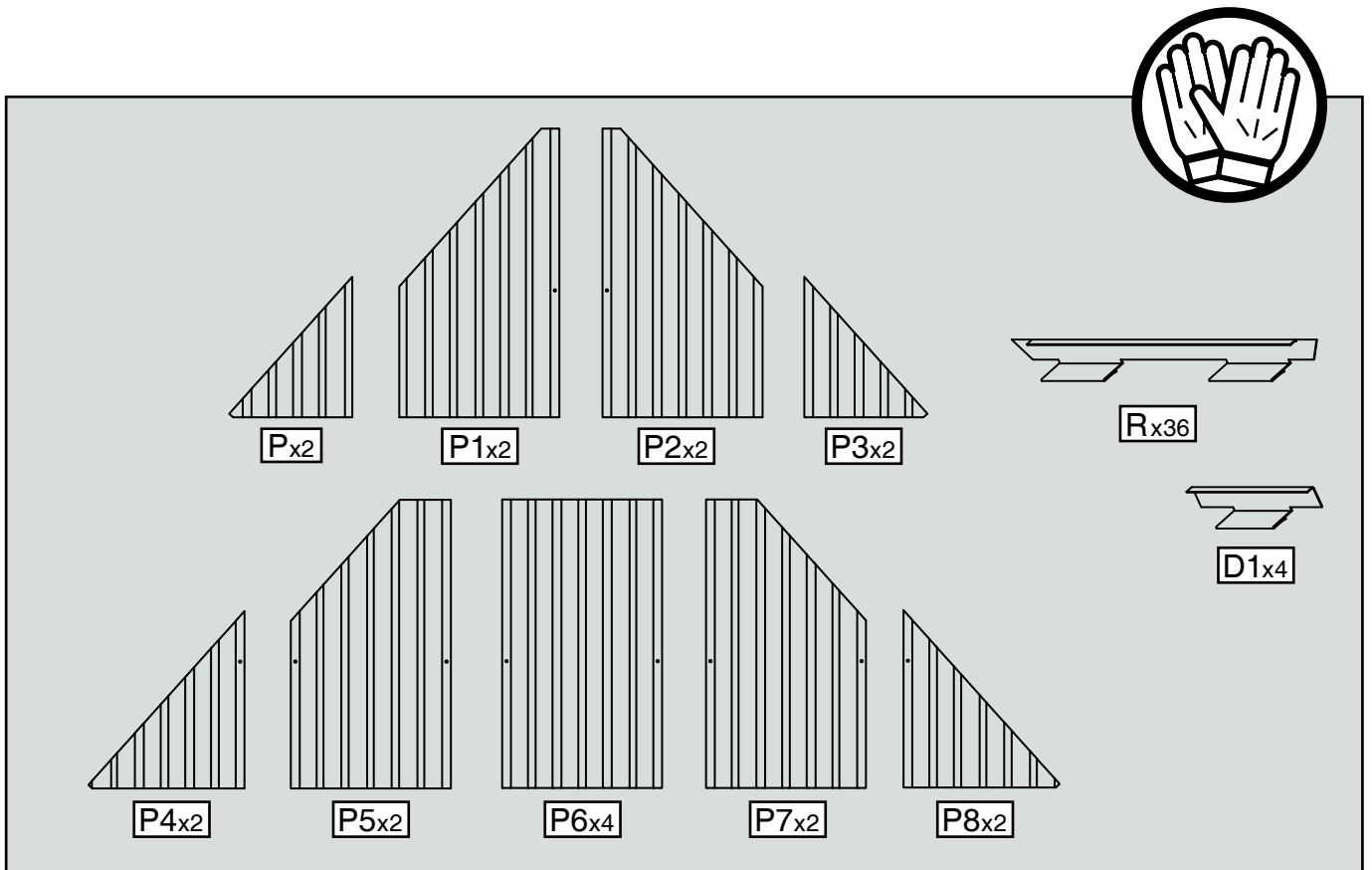
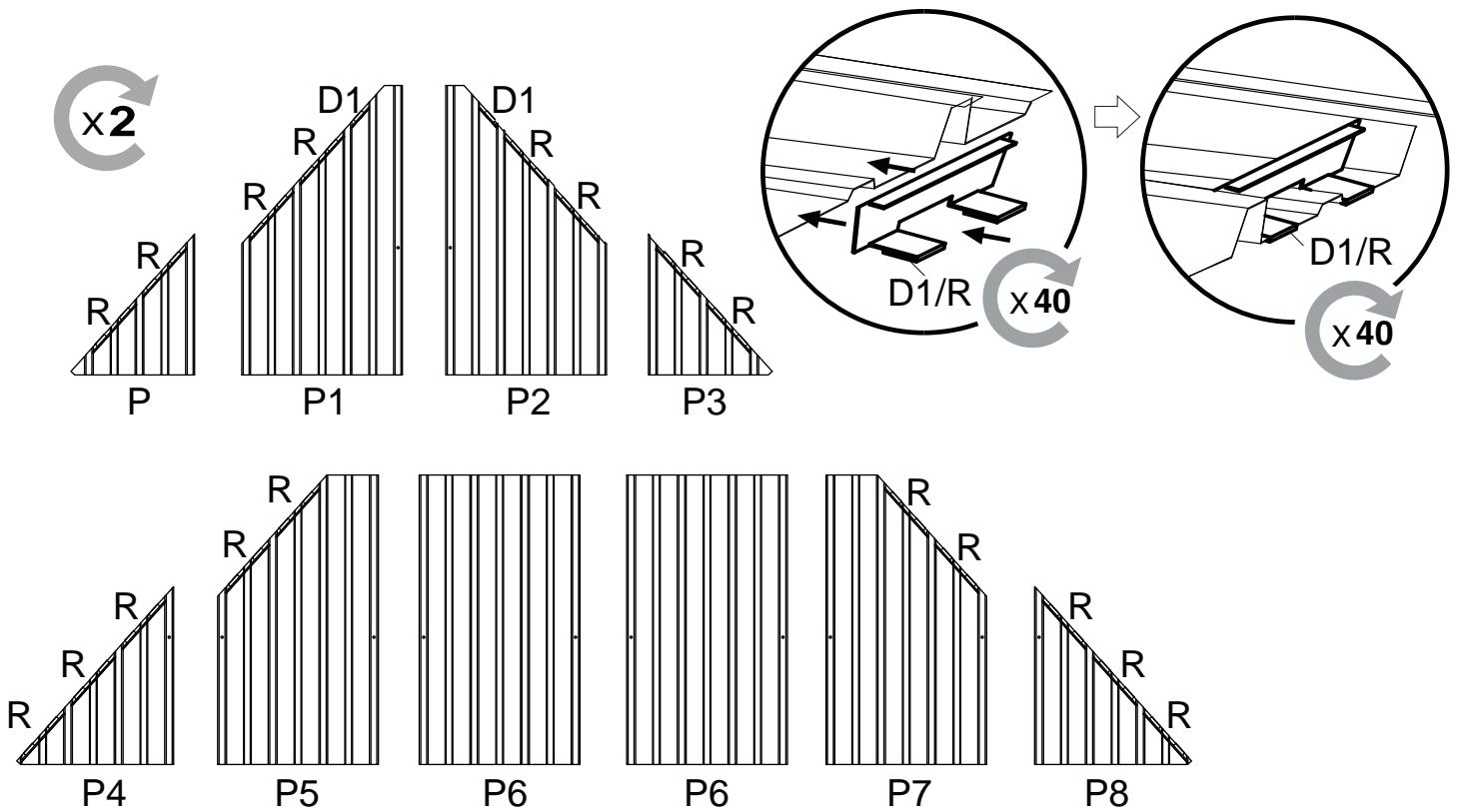


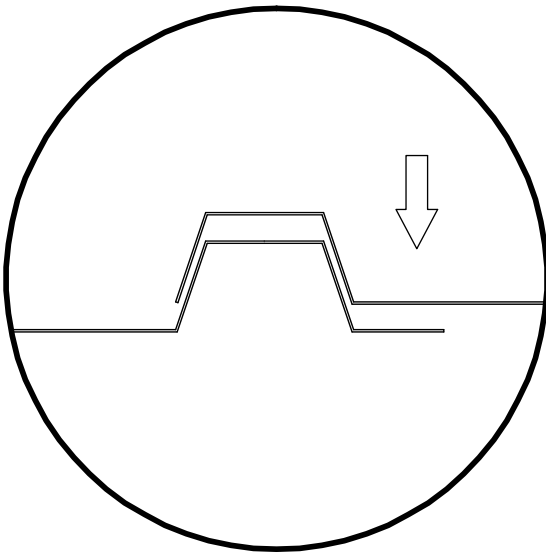
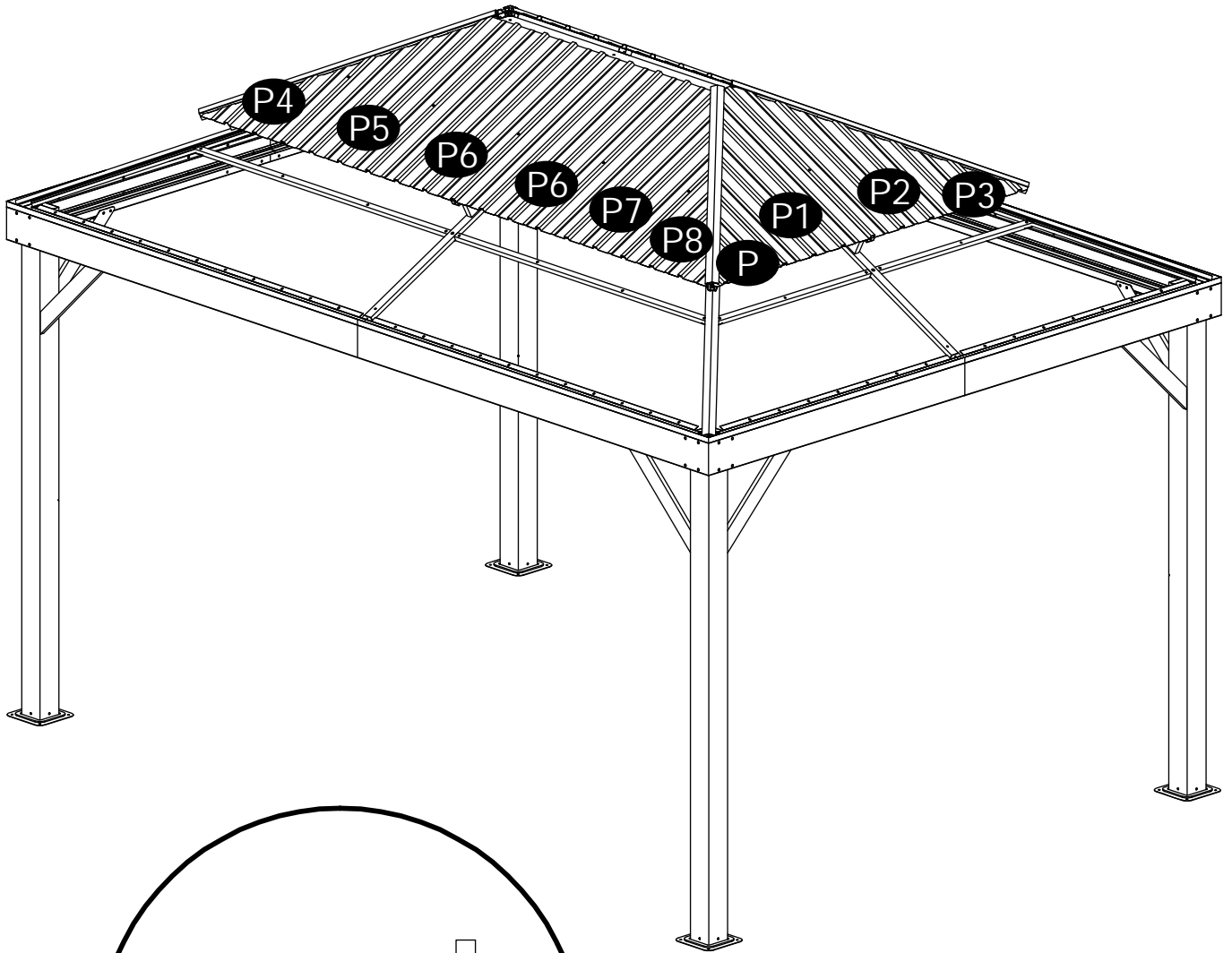


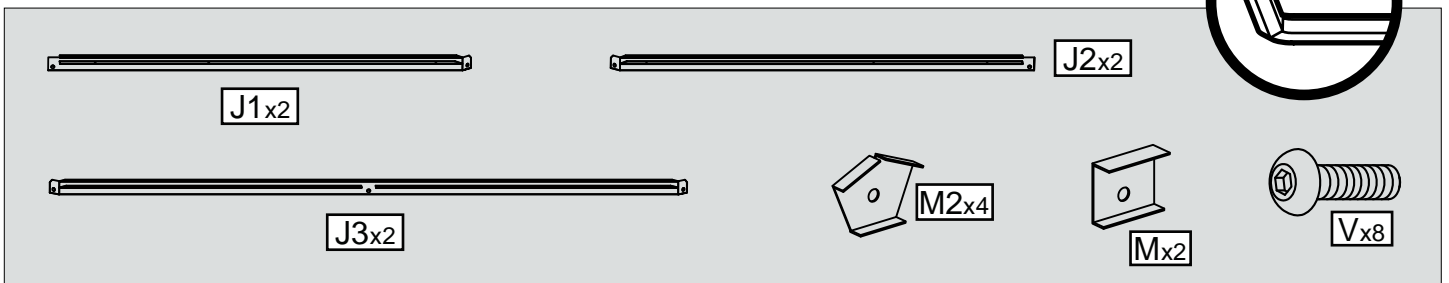
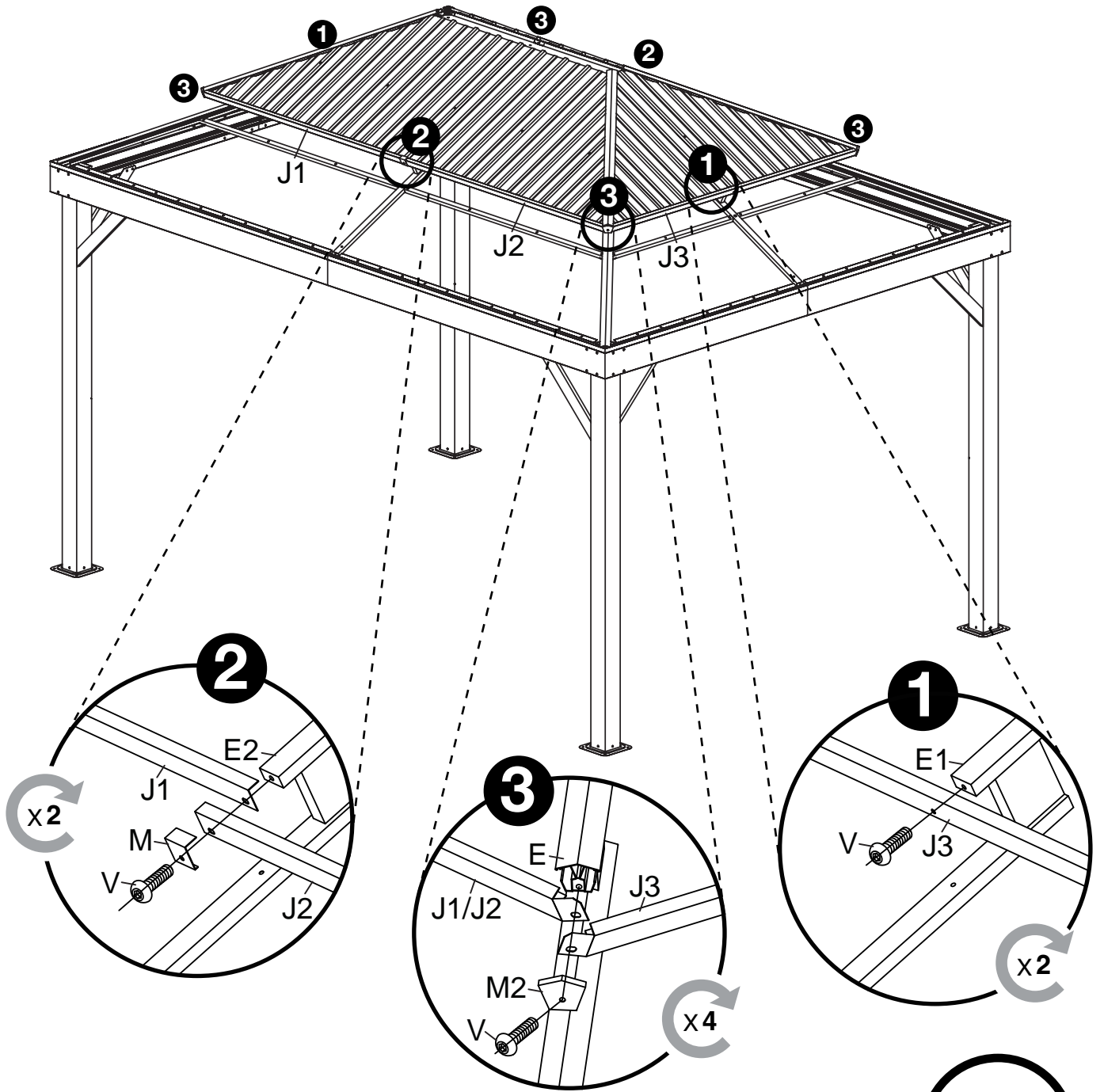
-  R1x2
-  R2x2
-  R3x2
-  M2x4
-  Vx8

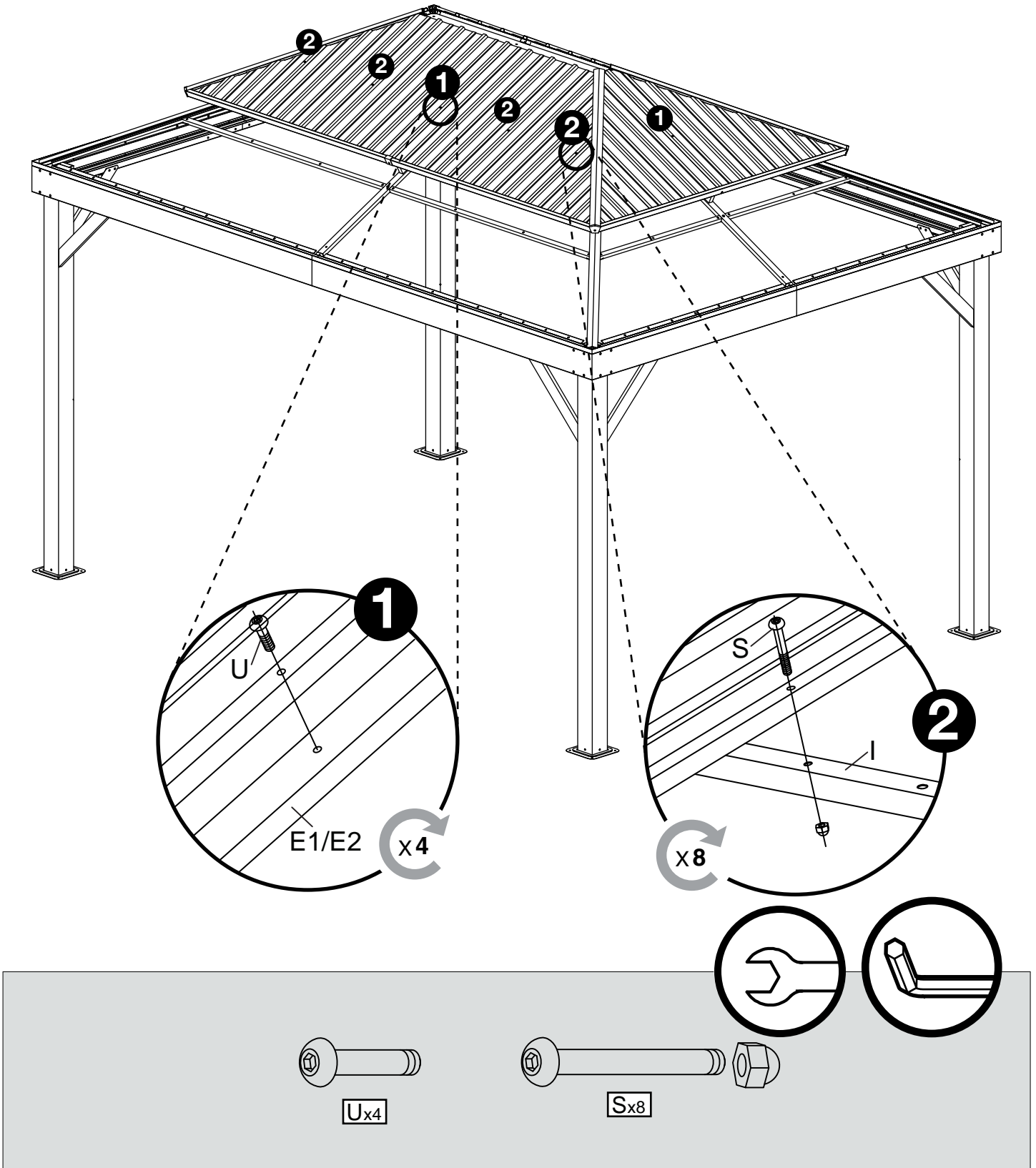


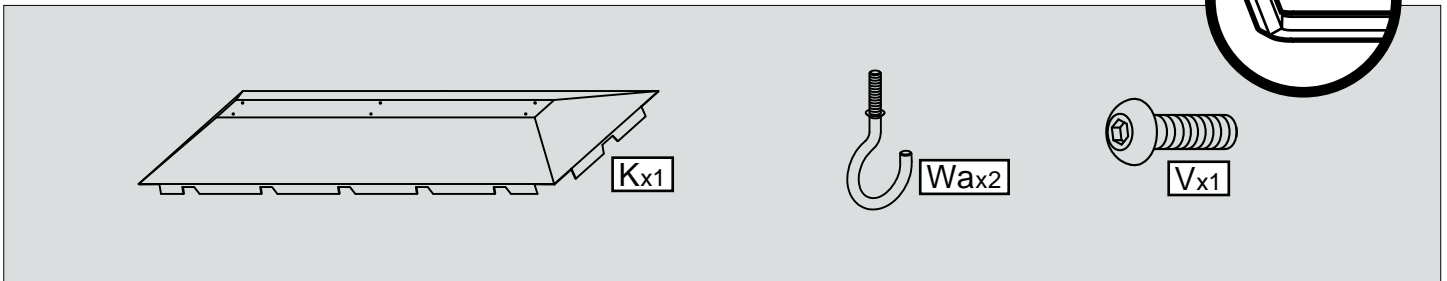
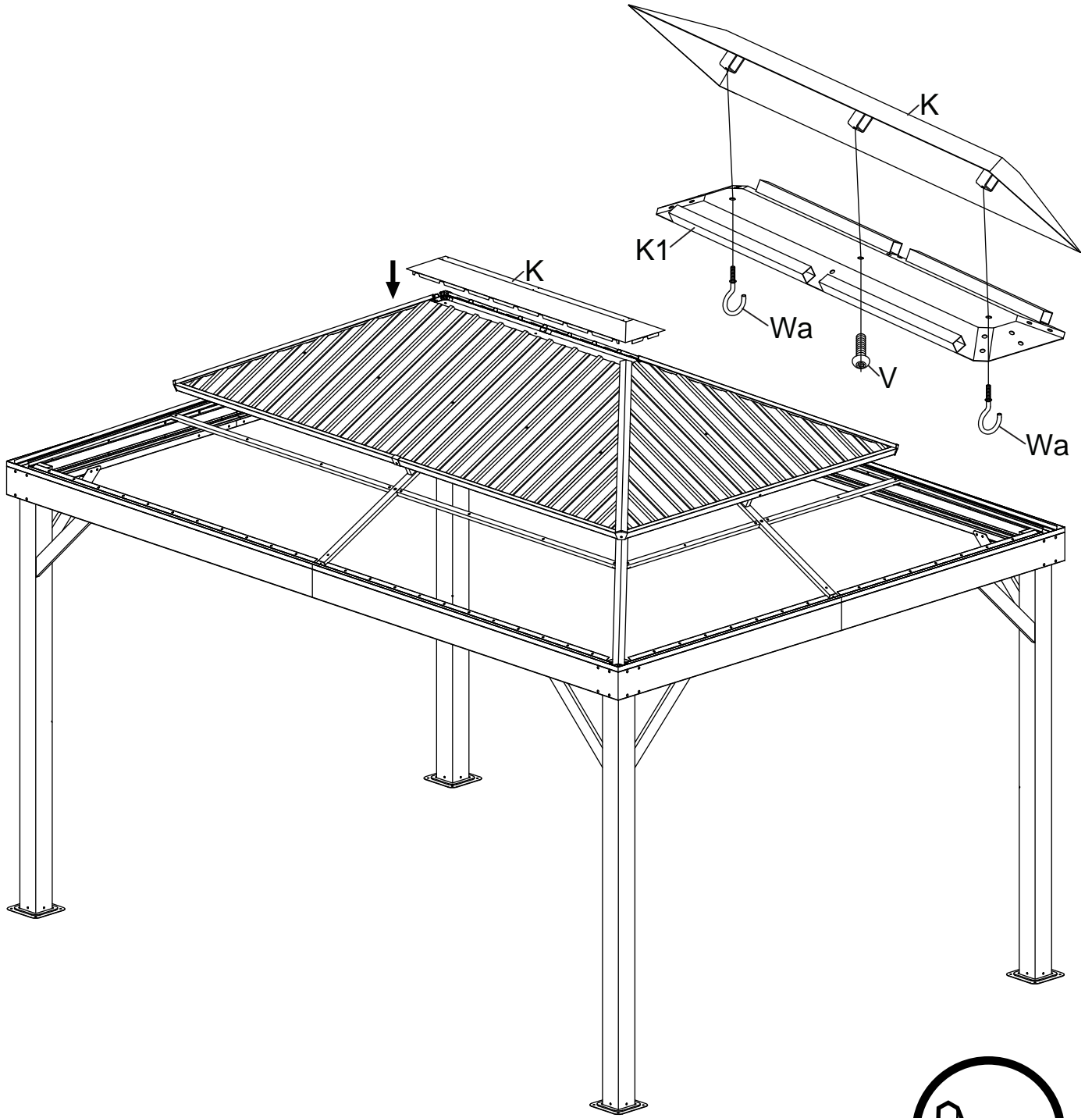
	Hx4		Ix4			Vx48
	H1x4		I1x4		M3x8	
					M4x8	

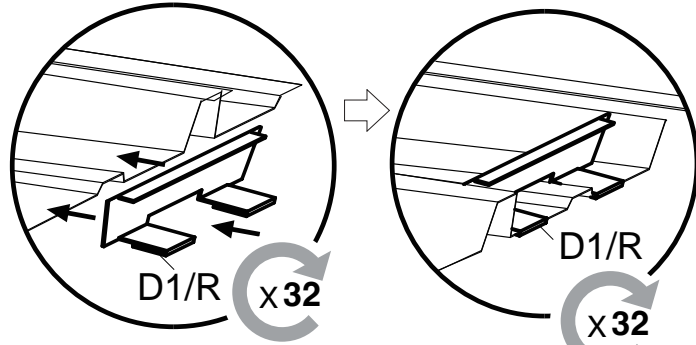




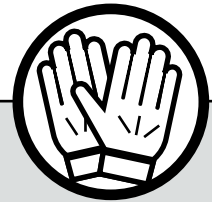
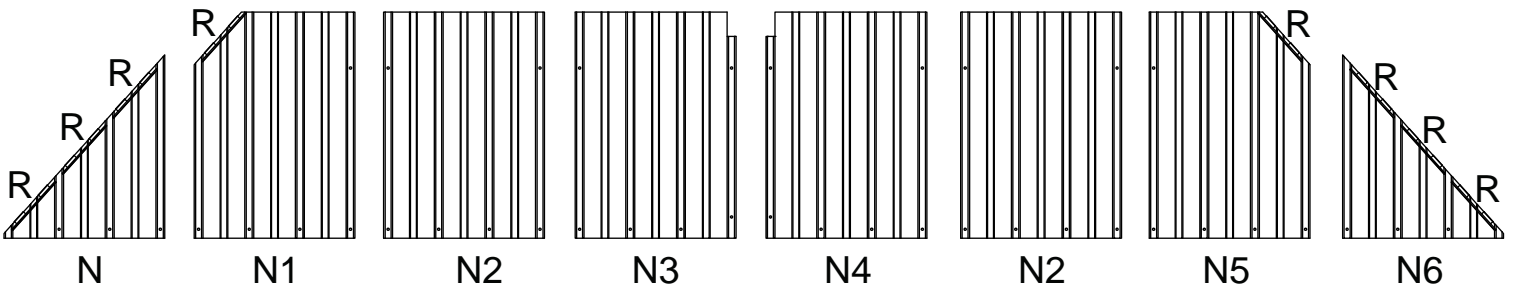
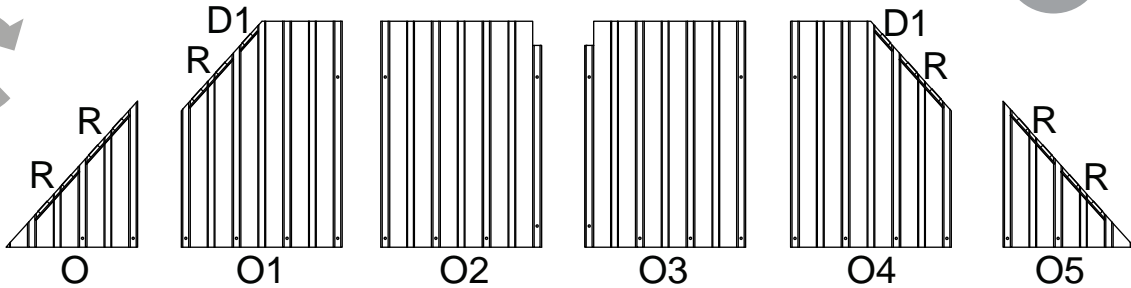




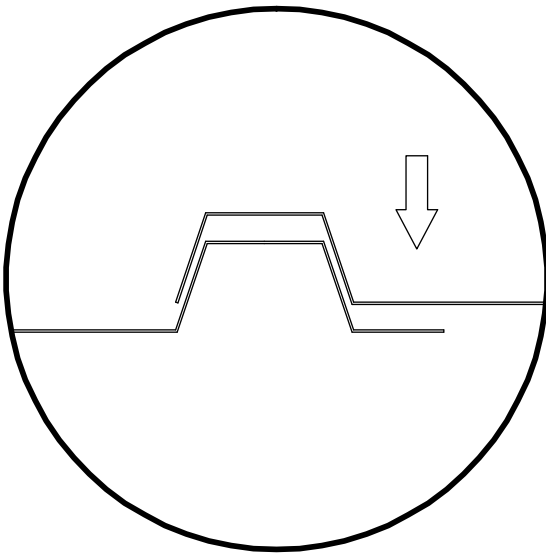
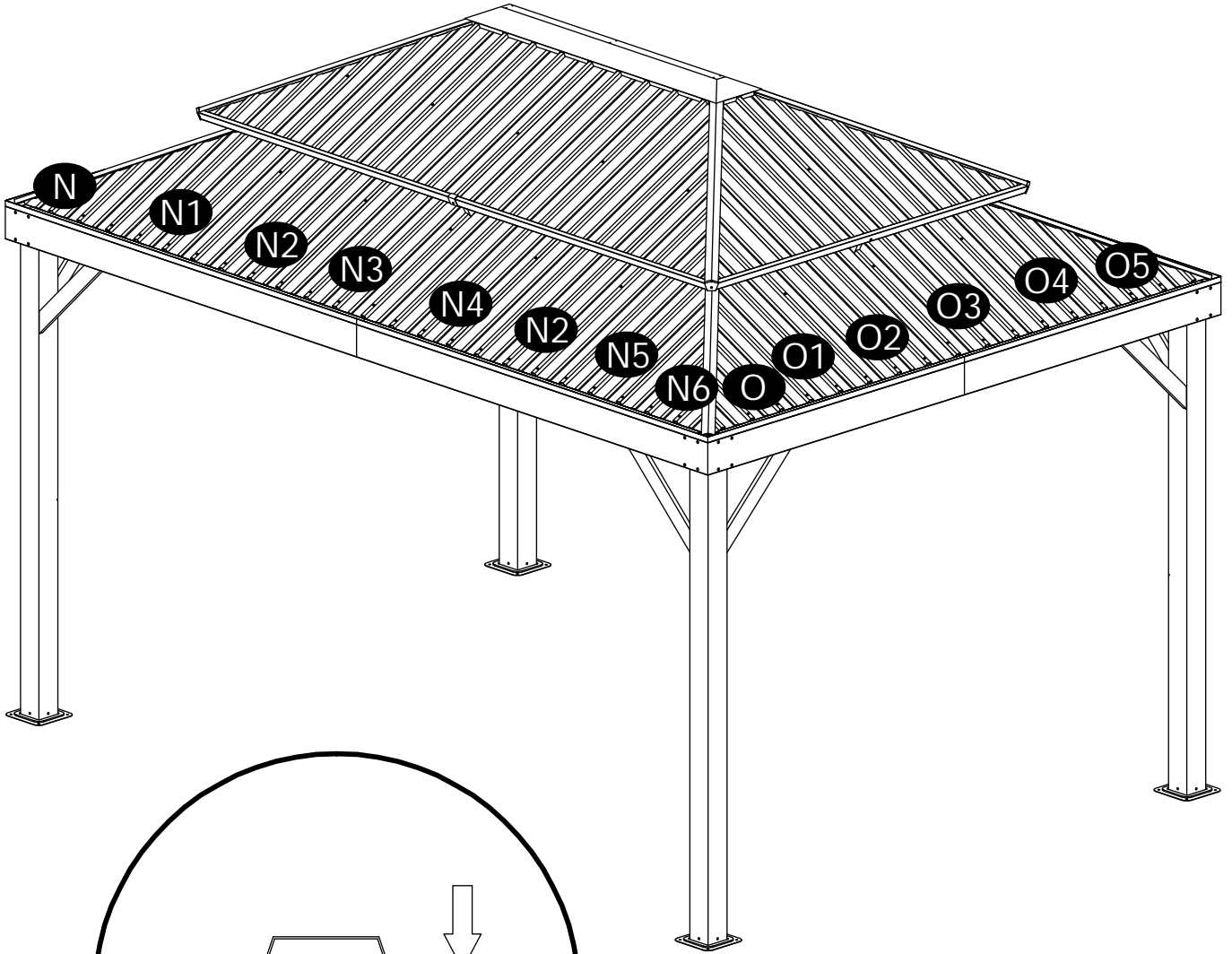


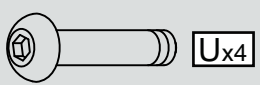
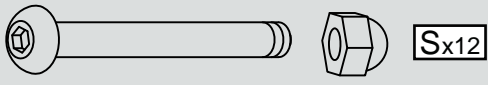
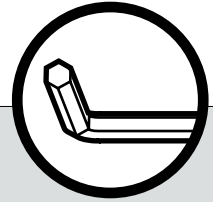
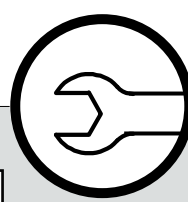
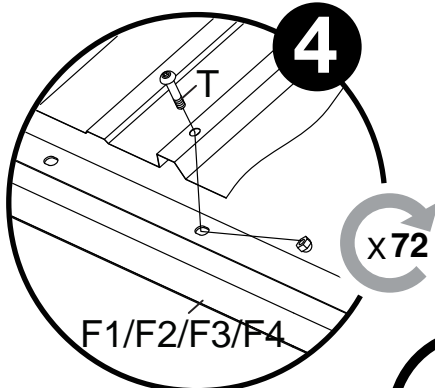
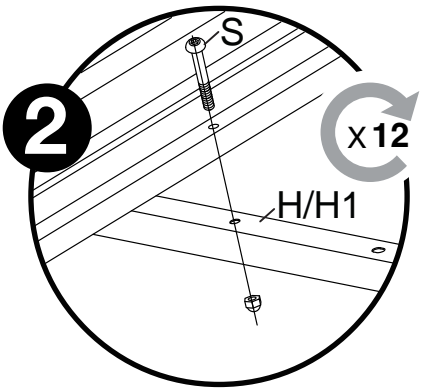
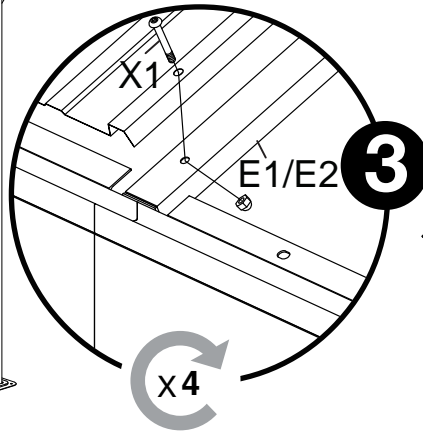
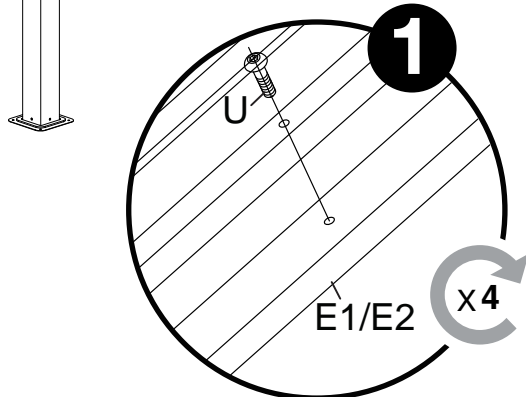
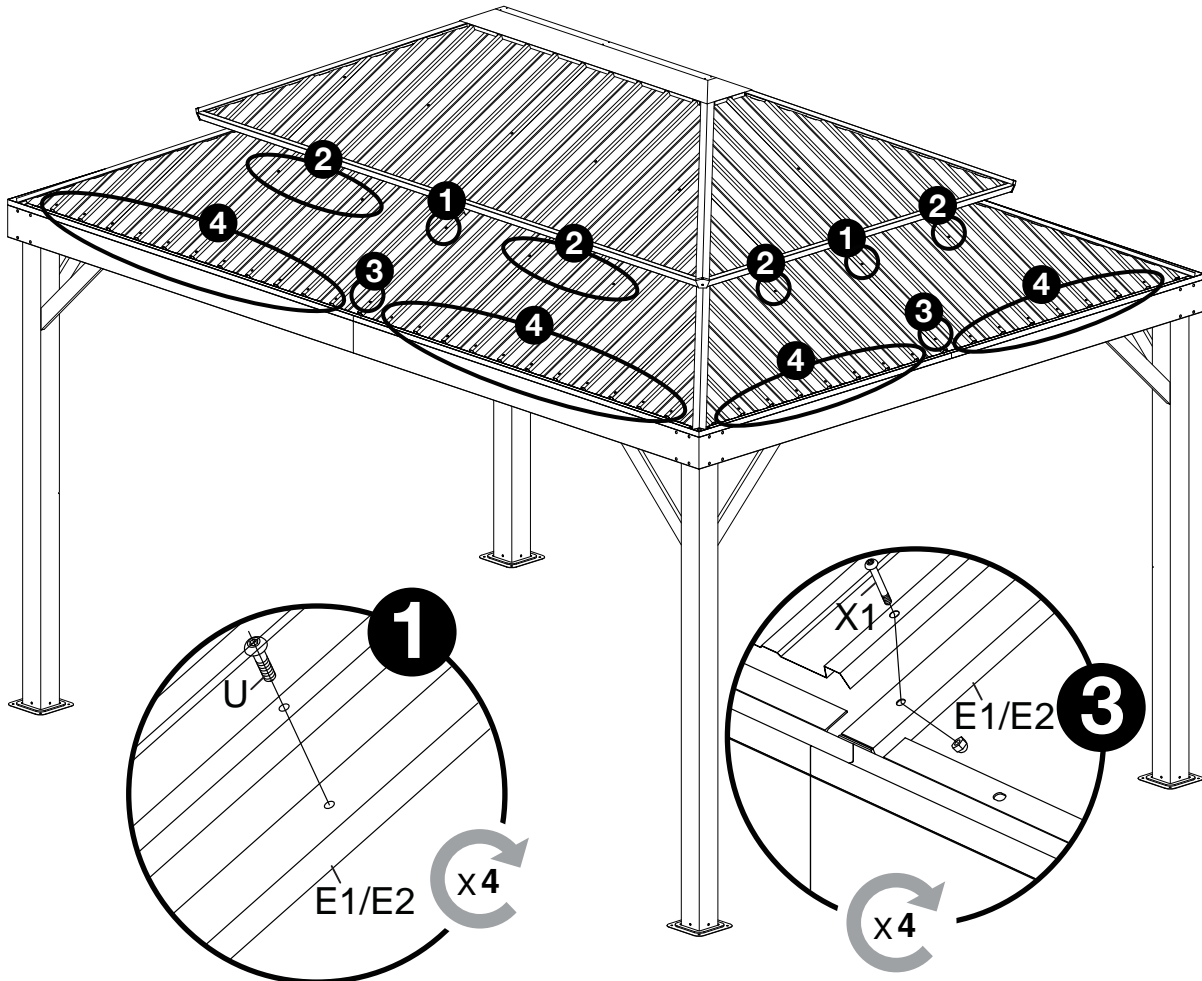


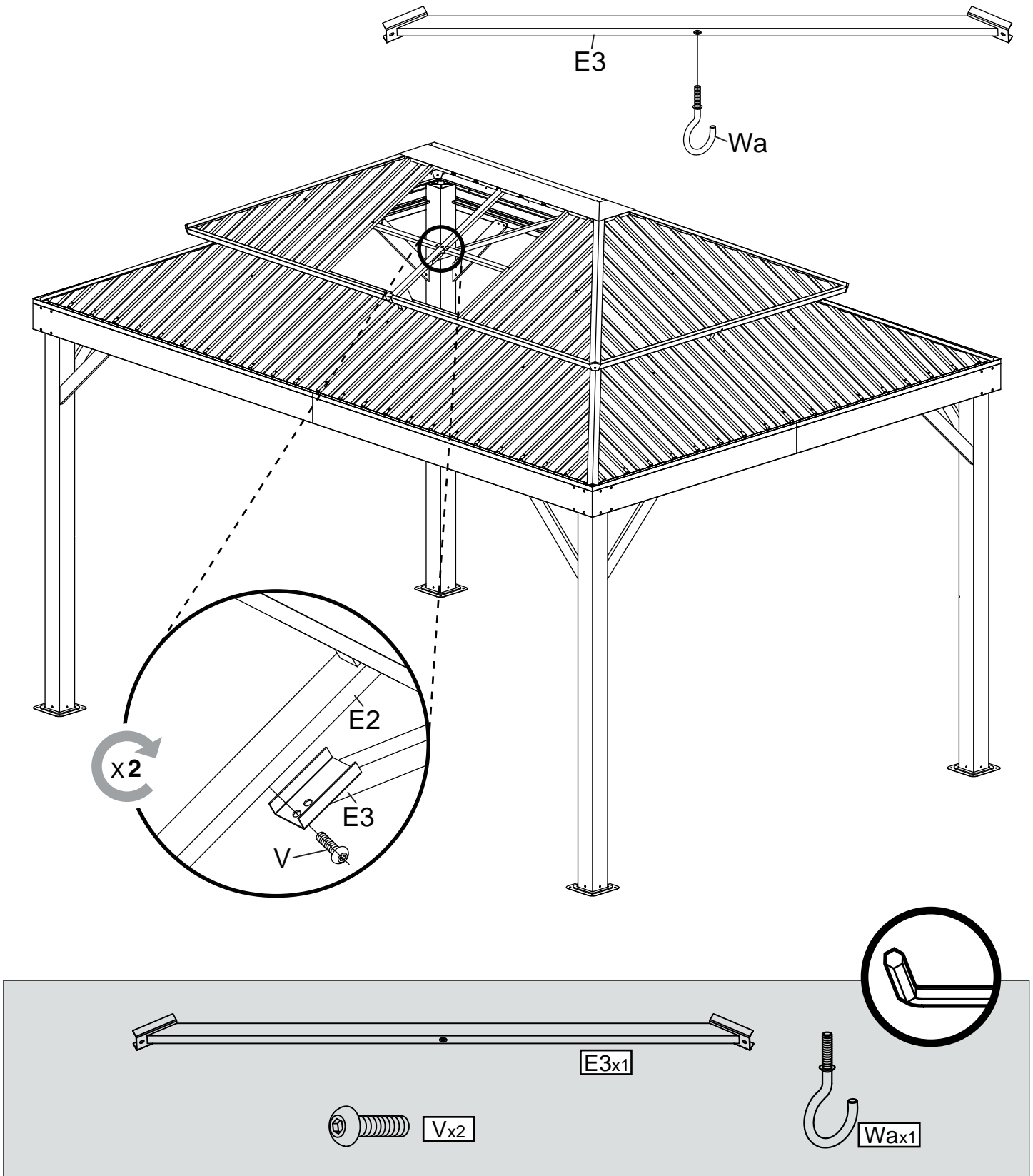
x2

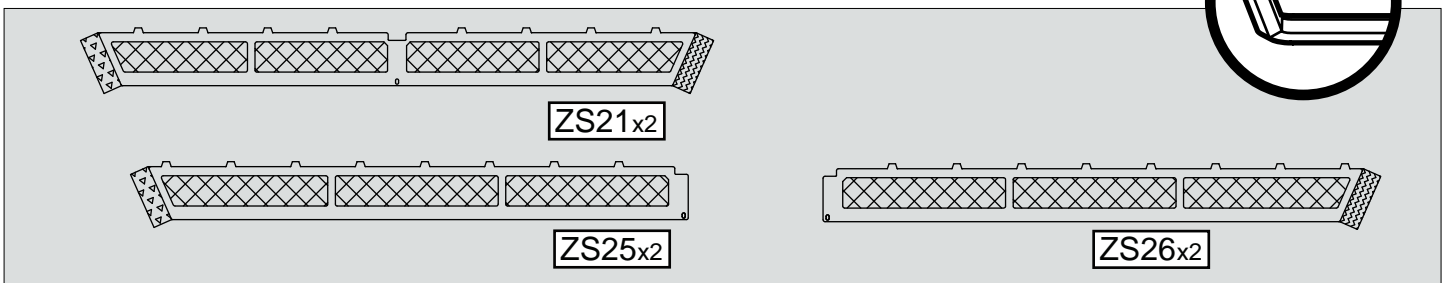
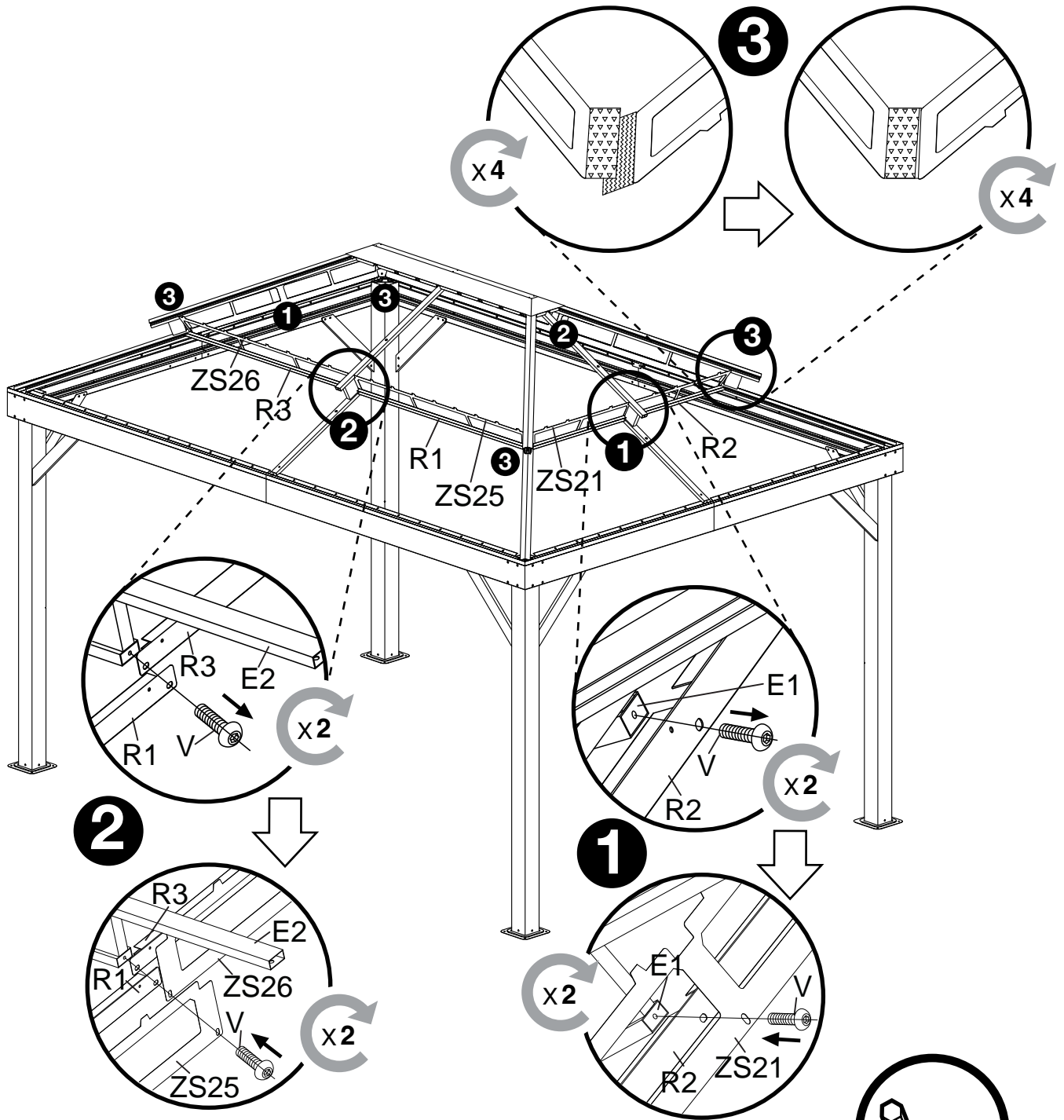


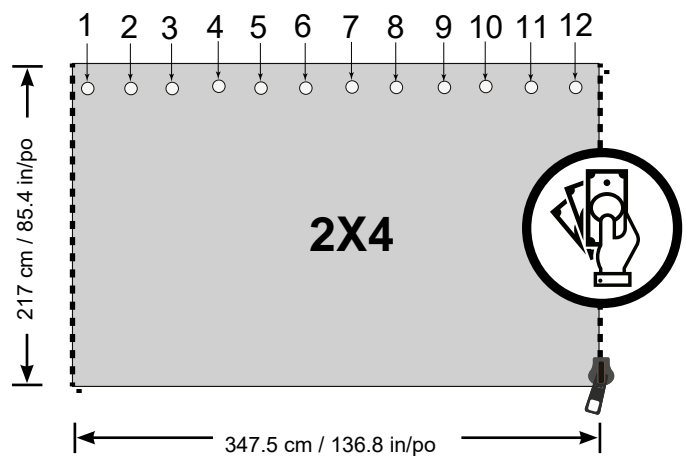
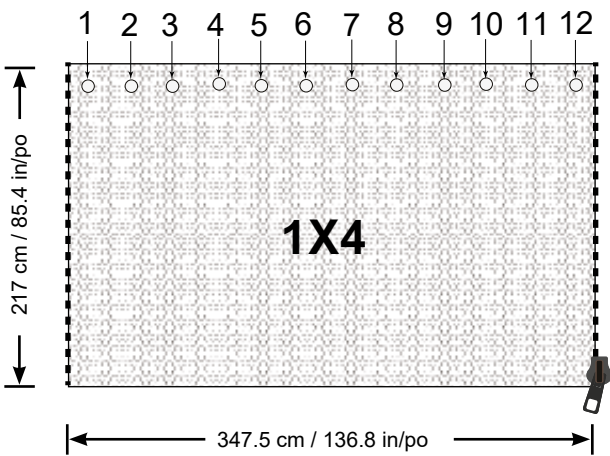
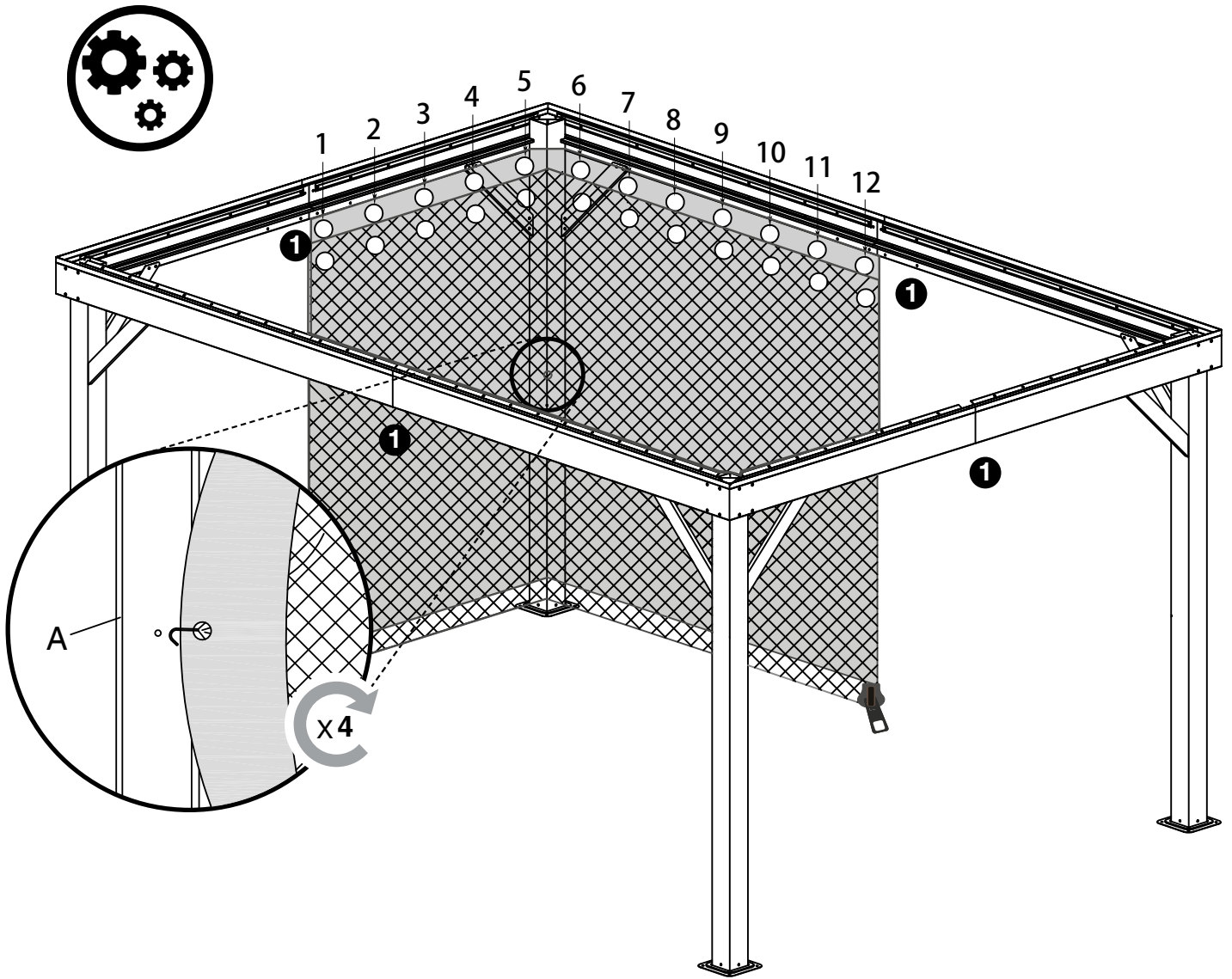
							R x28
Ox2	O1x2	O2x2	O3x2	O4x2	O5x2		D1x4
Nx2	N1x2	N2x4	N3x2	N4x2	N5x2	N6x2	



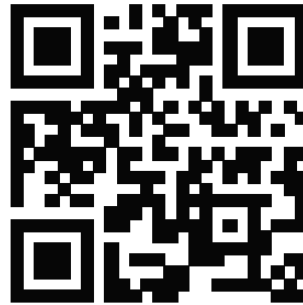








Register • Enregistrer • Regístrate
온라인 등록 • Registrieren



ShelterLogic.com/product-registration

50NRTH GmbH
Straßburgstraße 14-16
Germany 54516 Wittlich
phone +49 (0) 6571 / 95 117- 0
Fax +49 (0) 6571 / 95 117- 98
[www. 50NRTH.com](http://www.50NRTH.com)
info@50NRTH.com



SOJAG ■ |