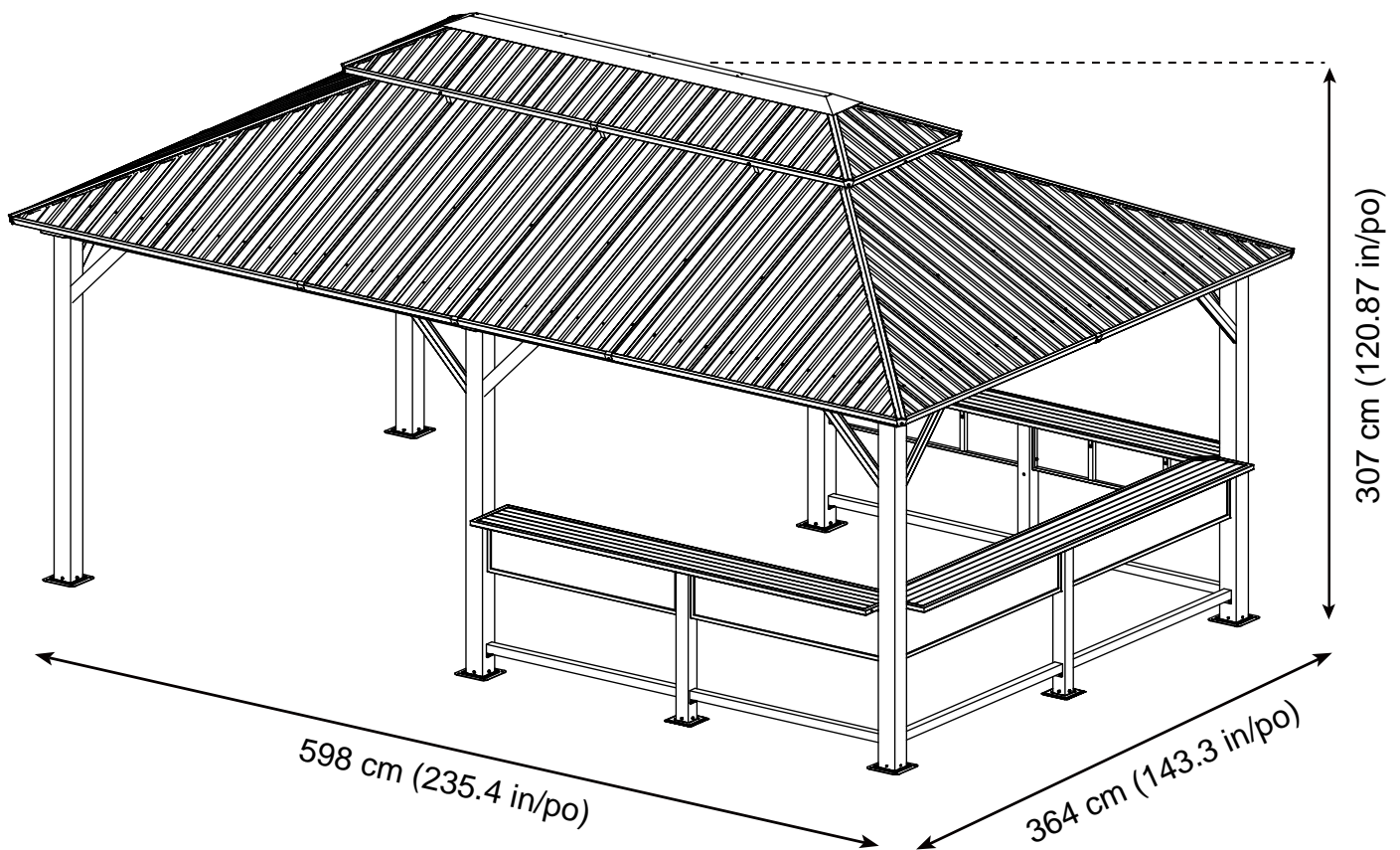


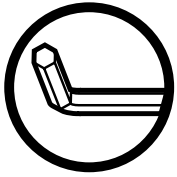
SOJAG



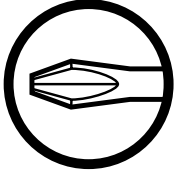
QUESTIONS? +49 (0) 6571 / 95117-0

Assembly Manual / Guide d'assemblage / Manual de ensamblaje / 조립설명서 / Montageanleitung





Use the hex keys in the box. / Utilisez les clés hexagonales fournies dans la boîte. / Utilice las llaves hexagonales en la caja. / 상자에 육각 키를 사용 하십시오. / Verwenden Sie die Sechskantschlüssel in der Box.



Please use a Phillips screwdriver. / Utilisez un tournevis de type Phillips / Por favor, use un destornillador Phillips. / 십자 드라이버를 사용 하십시오. / Bitte verwenden Sie einen Kreuzschraubenzieher.



You may need to use a drill for this step. / Vous pouvez avoir besoin d'utiliser une perceuse pour cette étape. / Puede que tenga que utilizar un taladro para este paso. / 이 단계에선 드릴을 사용해야 할 수도 있습니다. / Für diesen Schritt können Sie einen Bohrer verwenden.



Wearing protective gloves is recommended. / Le port de gants de protection est recommandé / El uso de guantes de protección se recomienda. / 보호 장갑을 착용 하는 것이 좋습니다. / Das Tragen von Schutzhandschuhen wird empfohlen.



Two or more people are required at this stage. / Deux personnes ou plus sont nécessaires à cette étape. / Dos o más personas se requieren en esta etapa. / 이 단계에서는 두 명 이상 이 필요합니다. / Für diesen Bauschritt sind 2 oder mehr Personen erforderlich.



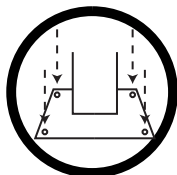
Do not tighten screws all the way for now. / Ne pas visser fermement pour l'instant. / No atornille con firmeza por ahora. / 아직 나사를 단단히 조이지 마십시오. / Bitte die Schrauben zum jetzigen Zeitpunkt noch nicht fest anziehen.



Sold separately. / Vendus séparément. / vendido en las opciones. / 옵션 판매 / Optional erhältlich

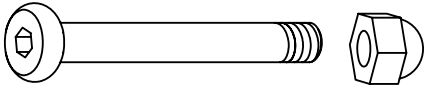


Optional step / Étape optionnelle / Paso opcional / 선택적 단계 / Optionaler Schritt

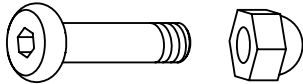


The gazebo must be anchored (hardware not included) / Le gazébo doit être ancré (quincaillerie non incluse) / El gazebo debe estar anclado (herramientas no incluidas) / gaze보를 반드시 바닥에 고정 시키세요. (고정 나사 부품 미포함) / Muss am Boden verankert werden, Befestigungsmaterial nicht im Lieferumfang enthalten

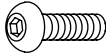
S X 16 (+2)



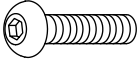
T X 92 (+9)




V X 384 (+15)



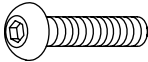
V1 X 29 (+3)



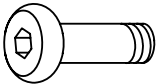
V2 X 8 (+3)



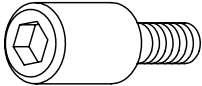
V3 X 6 (+2)



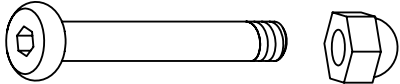
U1 X 8 (+3)



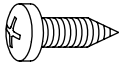
X X 32 (+3)



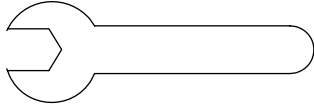
X1 X 8 (+2)



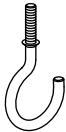
Y X 24 (+4)



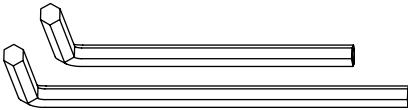
W2 X 1

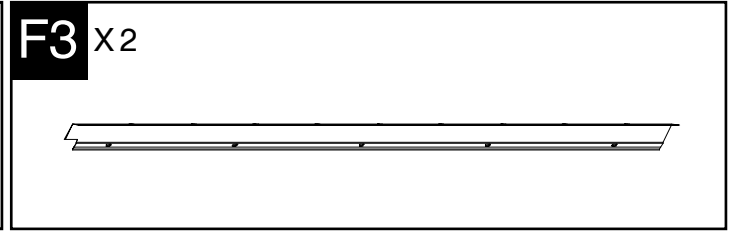
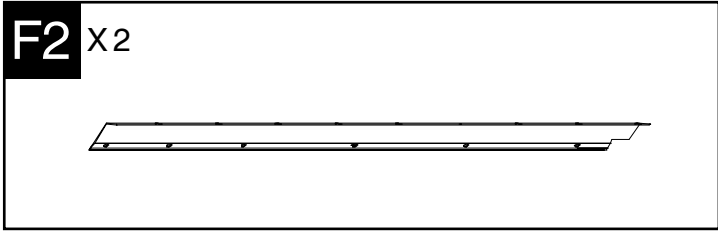
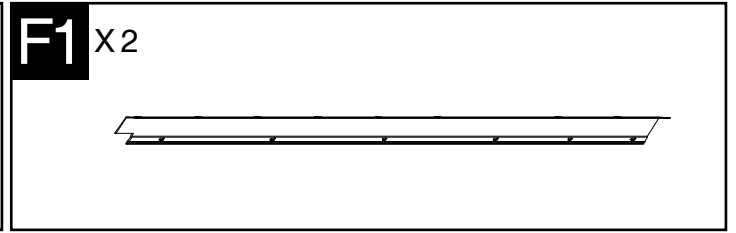
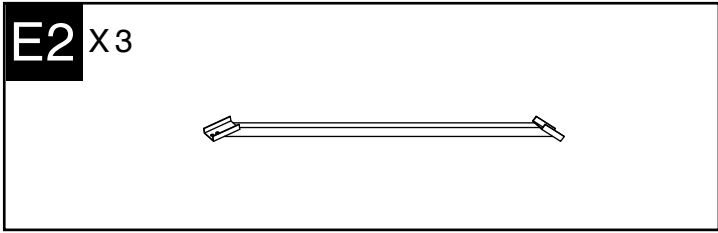
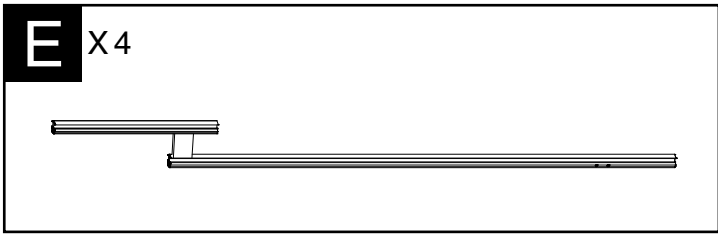
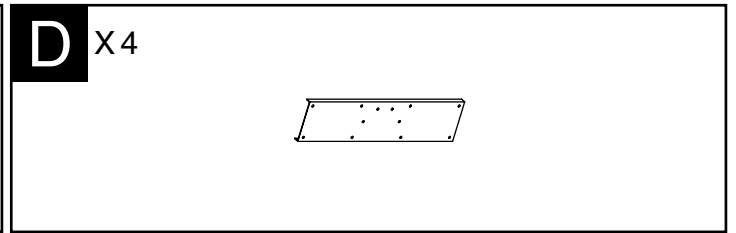
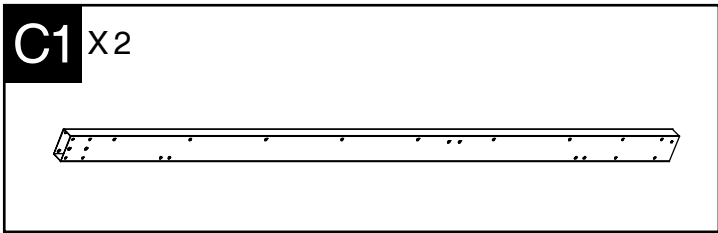
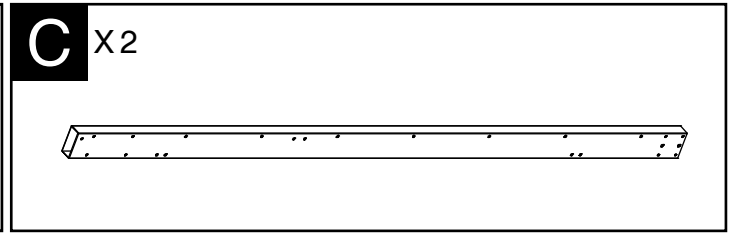
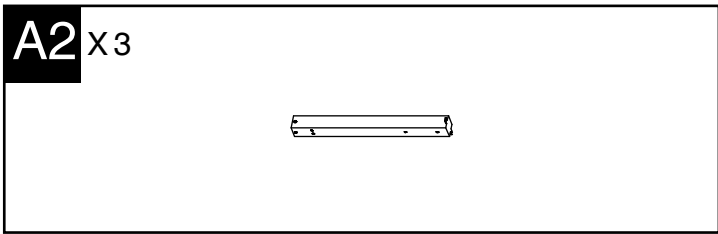
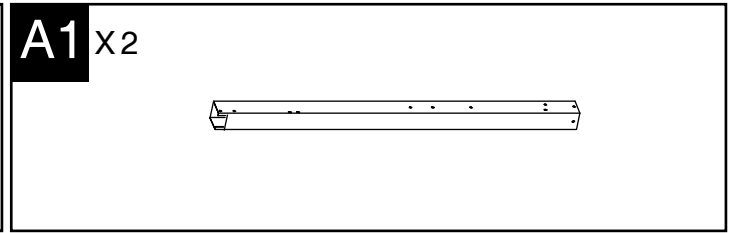
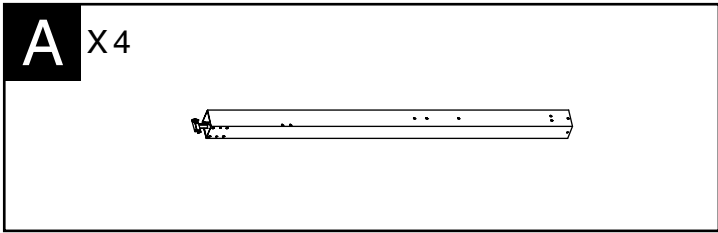


Wa X 3



Z X 1





F4 X2



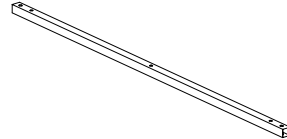
F5 X2



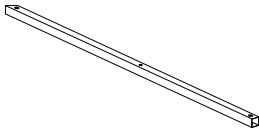
F6 X2



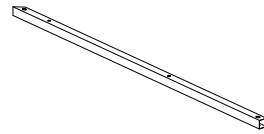
G X4



H X4



I X4



J X2



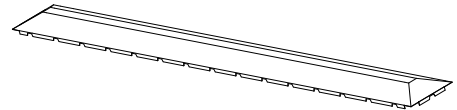
J1 X2



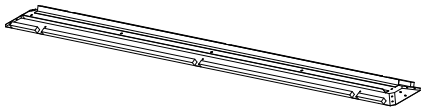
J2 X2



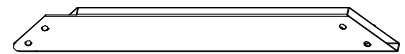
K X1



K1 X1



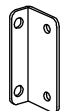
L1 X6



L2 X6



L3 X12



M X3



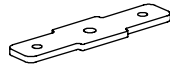
M1 X6



M2 X12



M3 X8



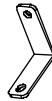
M4 X4



Q1 X8



Q2 X12



Q3 X2



R1 X2



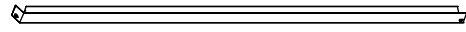
R2 X2



R3 X2



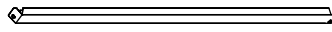
S1 X2



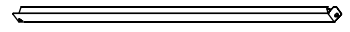
S2 X2



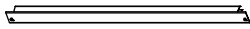
S3 X2



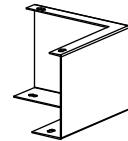
S4 X2



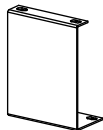
S5 X4



W X4



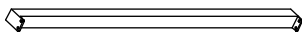
W1 X4



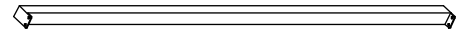
W3 X10



W4 X4



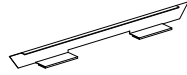
W5 X2



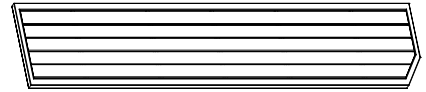
D1 X 12(+1)



R X 76(+2)



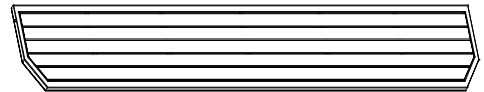
Pt1 X 1



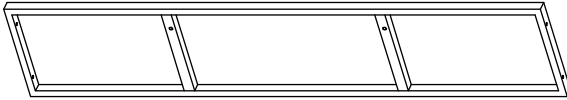
Pt2 X 1



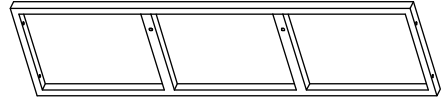
Pt3 X 1



Pj1 X 2



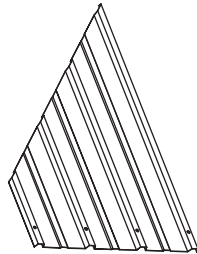
Pj2 X 4



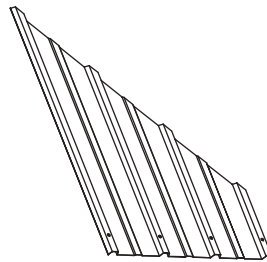
N X 2



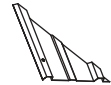
N1 X 2



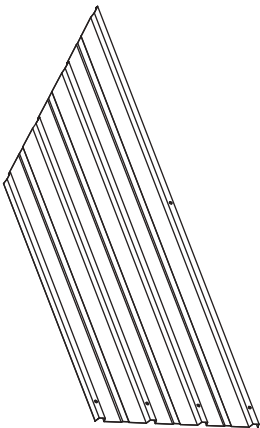
N6 X 2



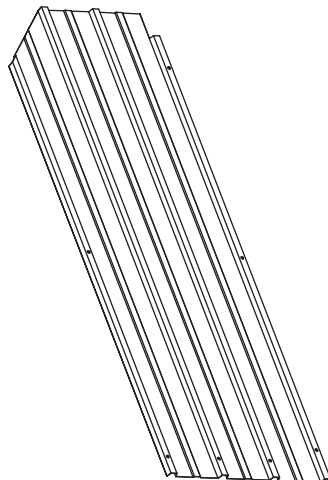
N7 X 2



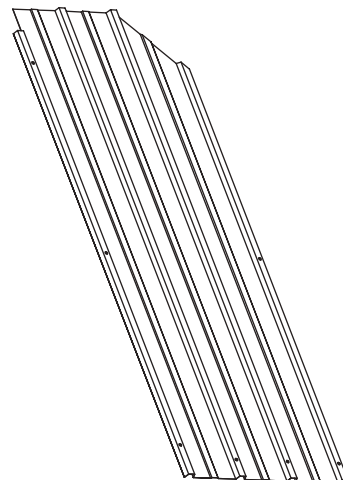
N2 X 2



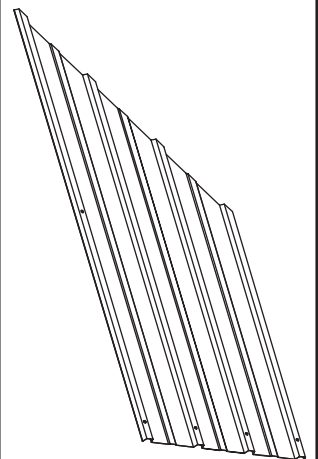
N3 X 2

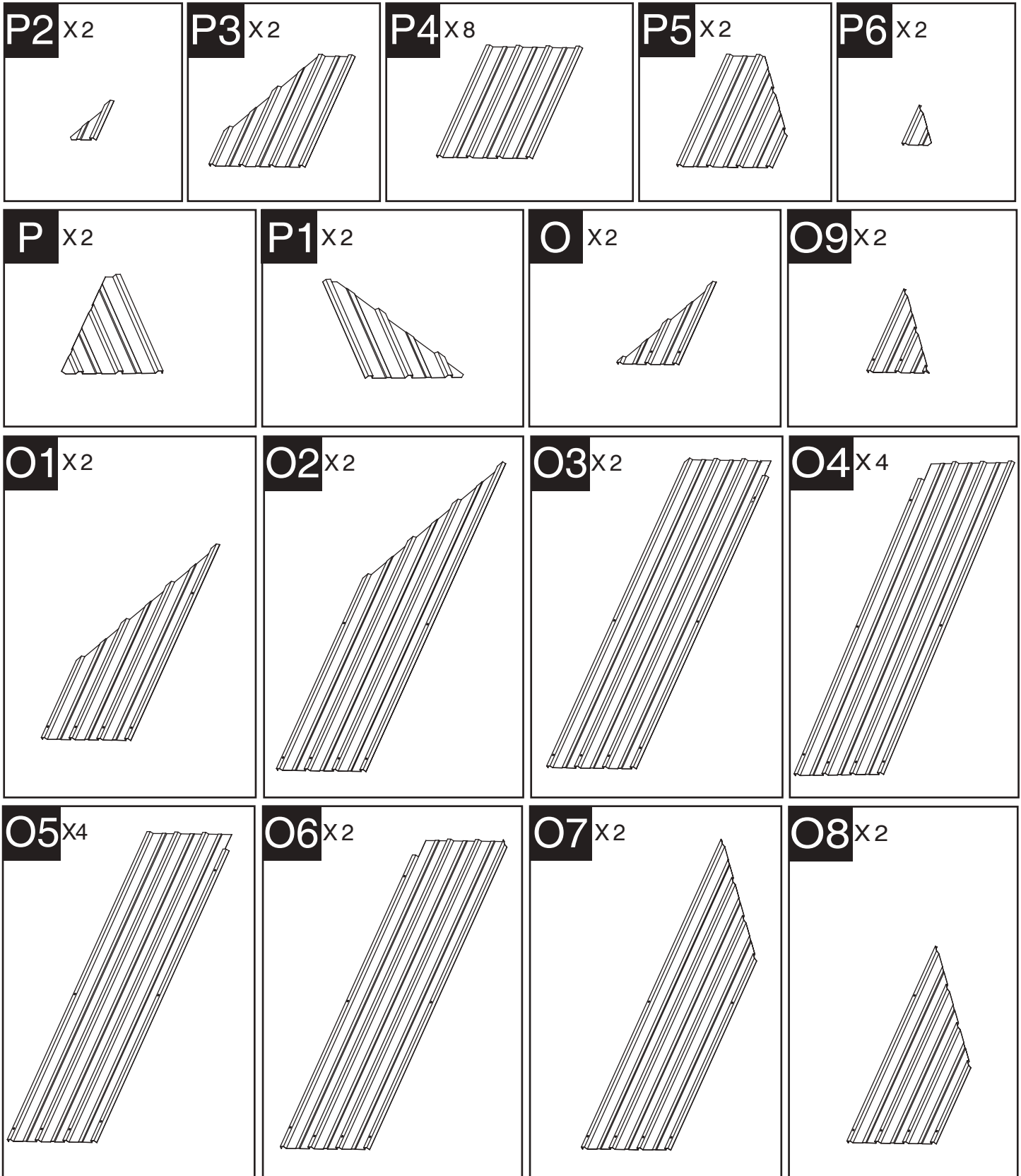


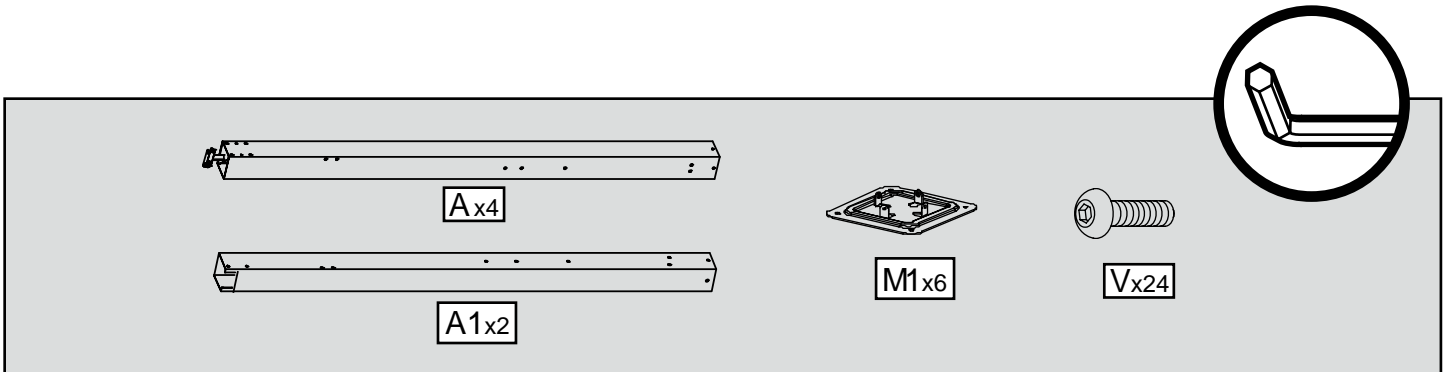
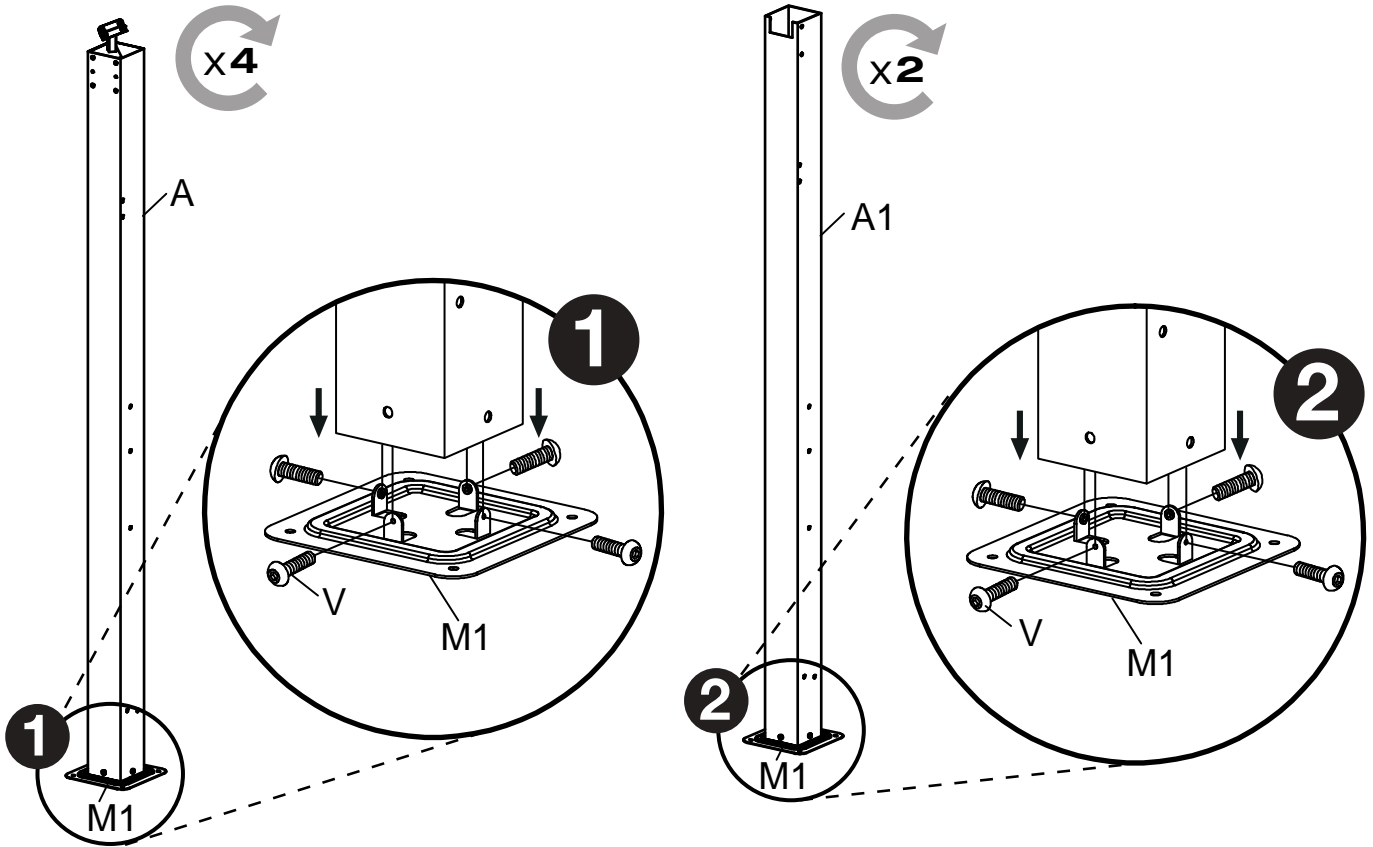
N4 X 2

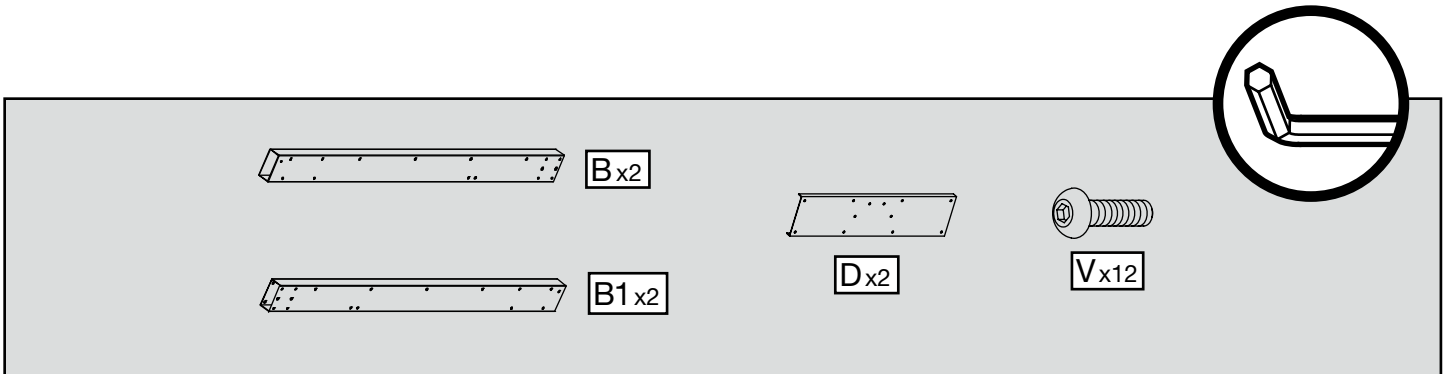
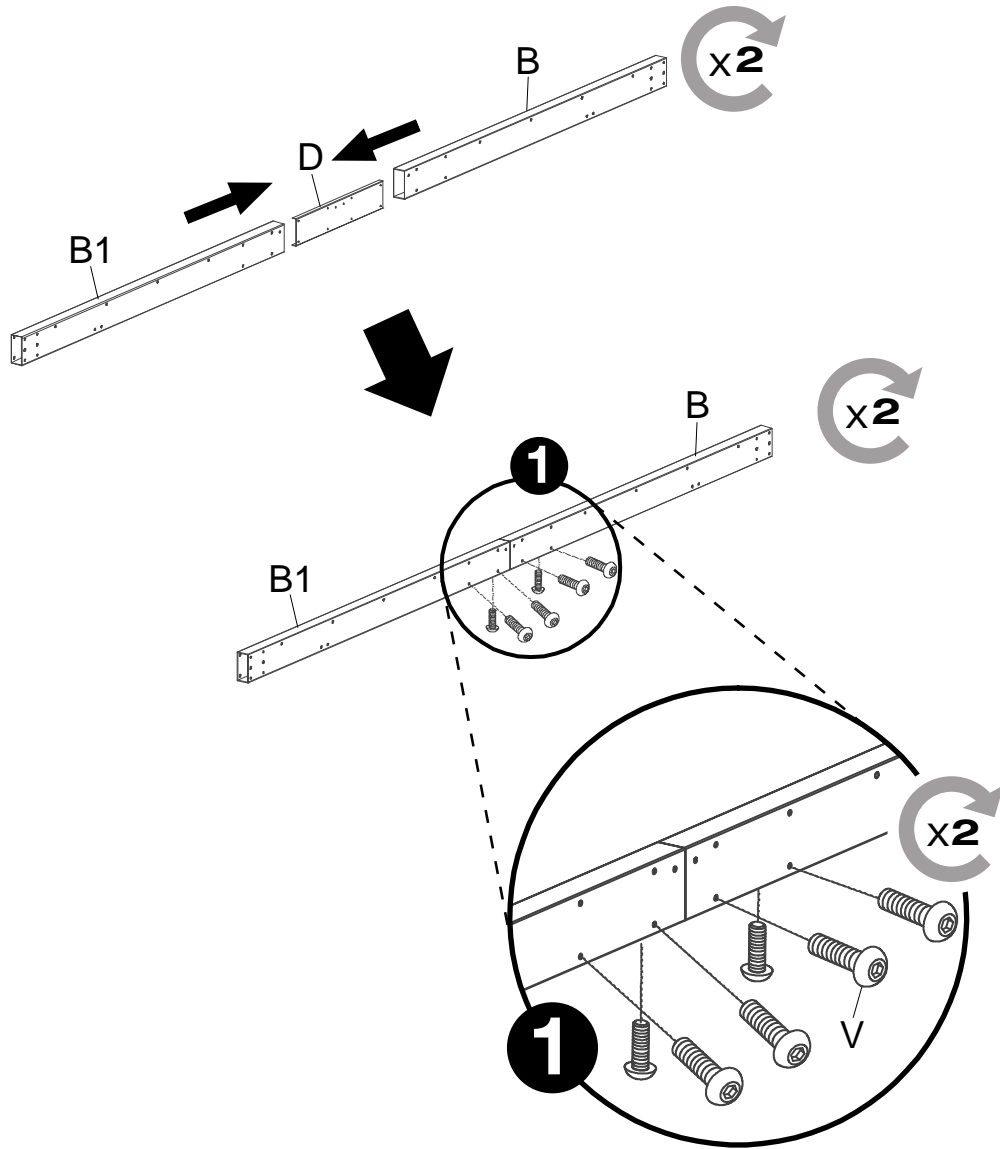


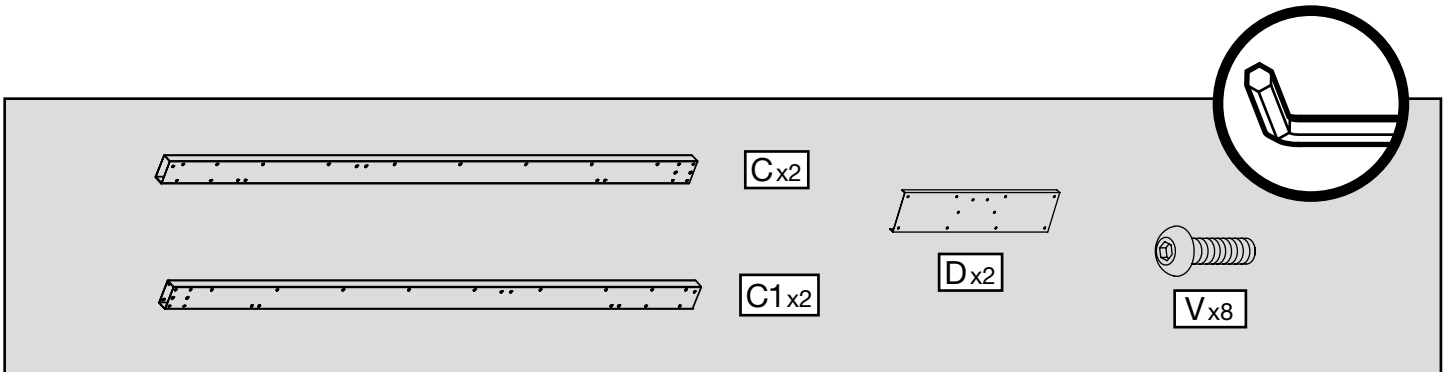
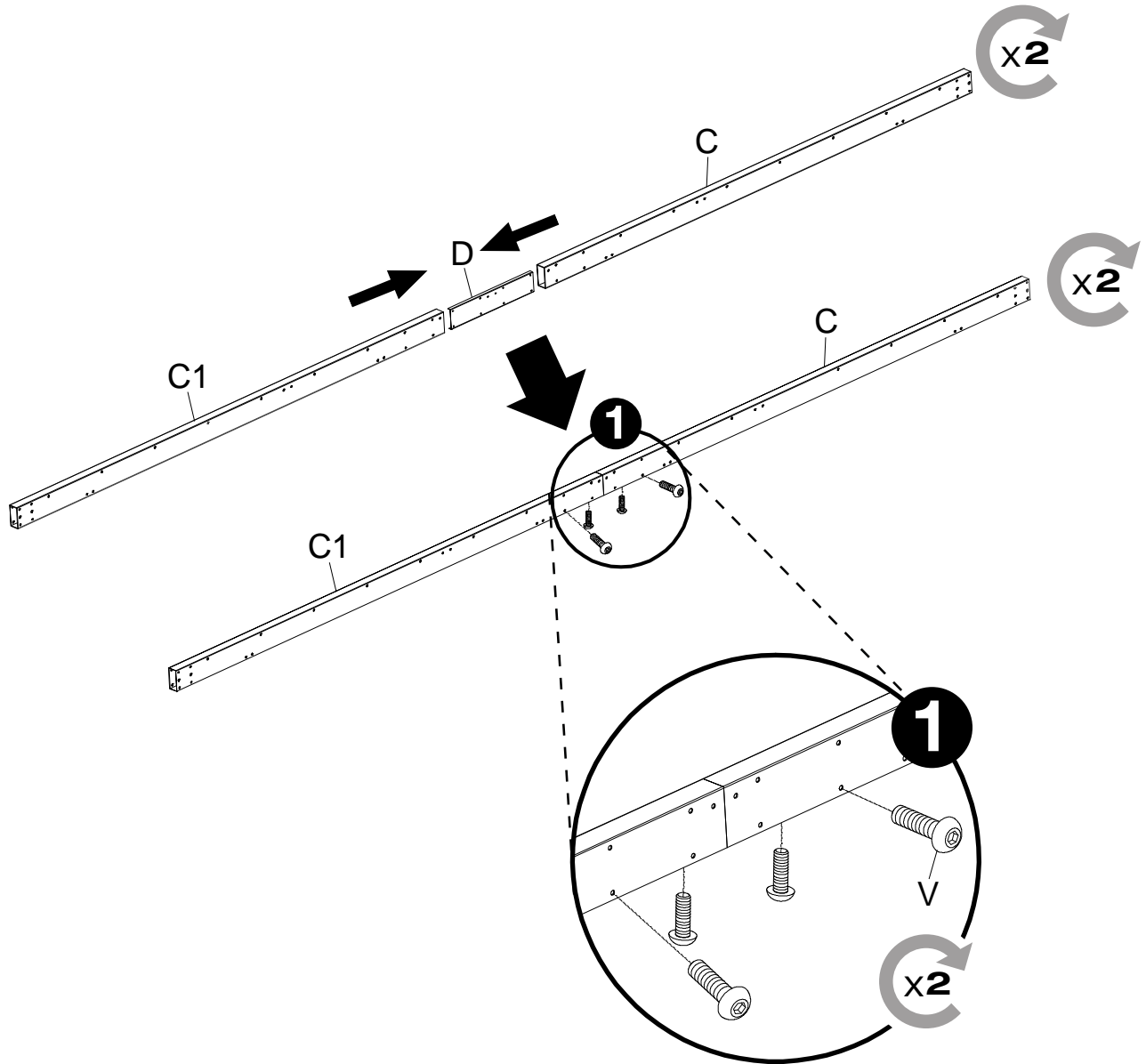
N5 X 2

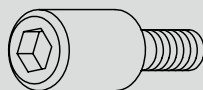
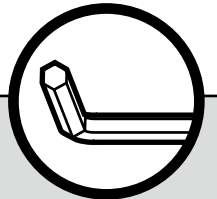
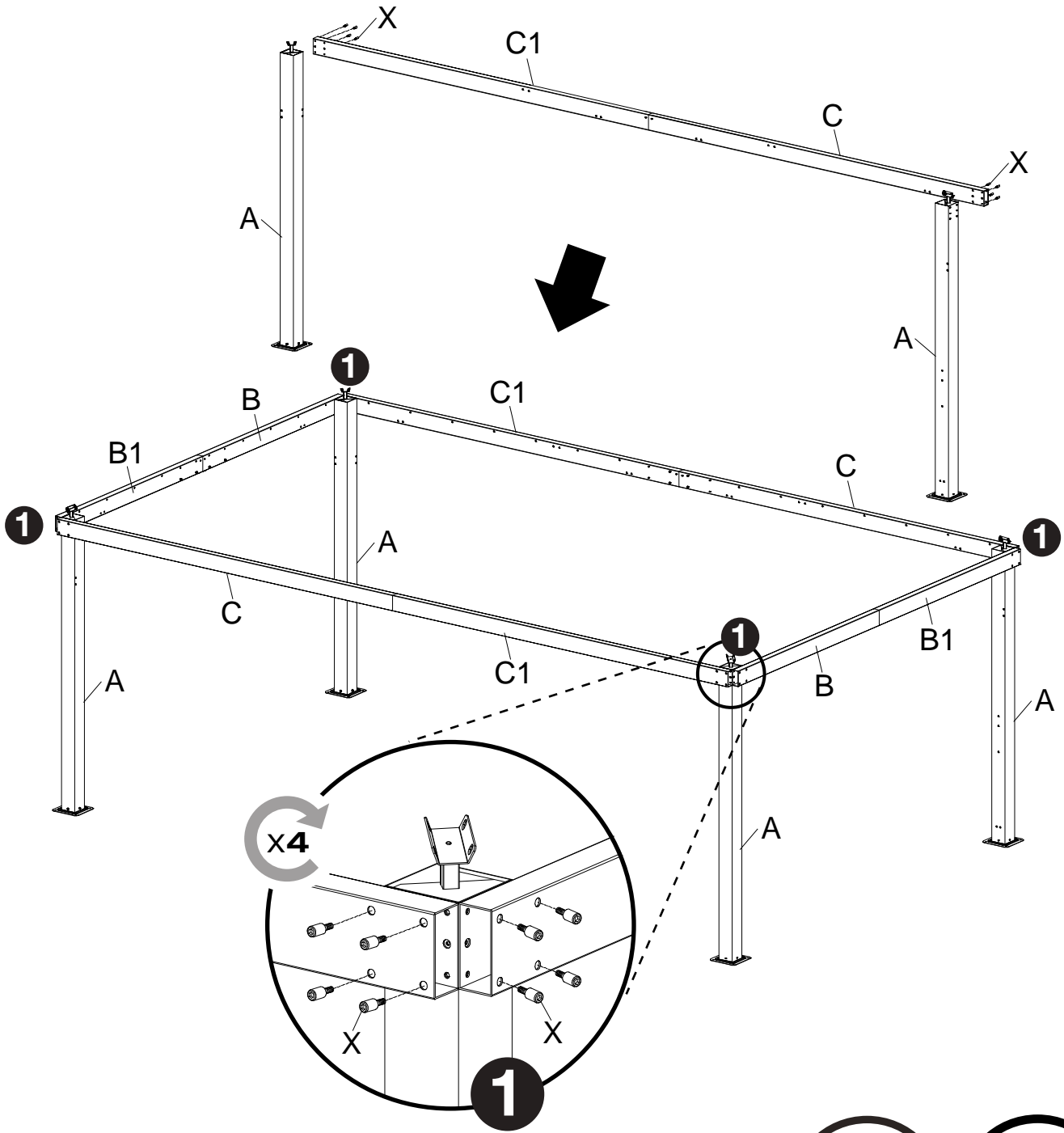




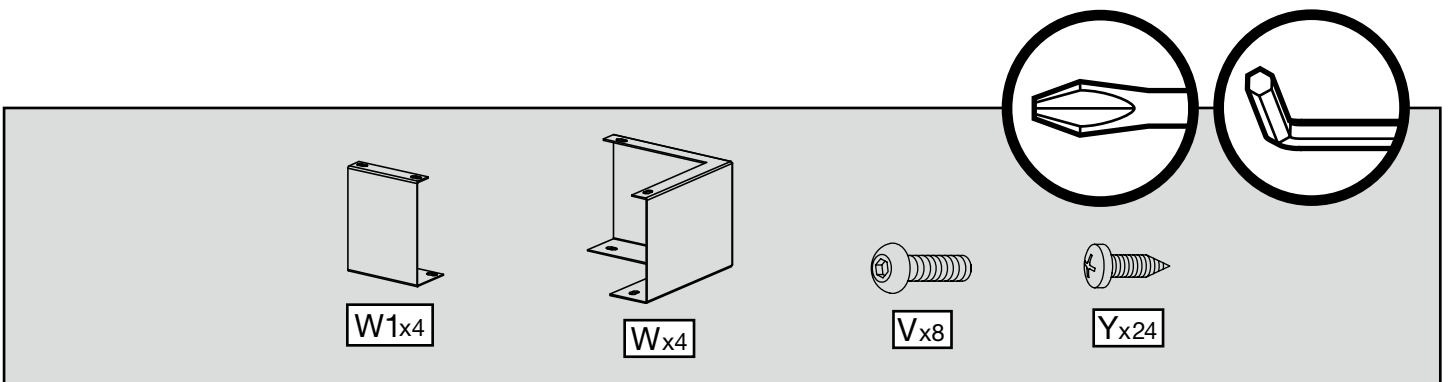
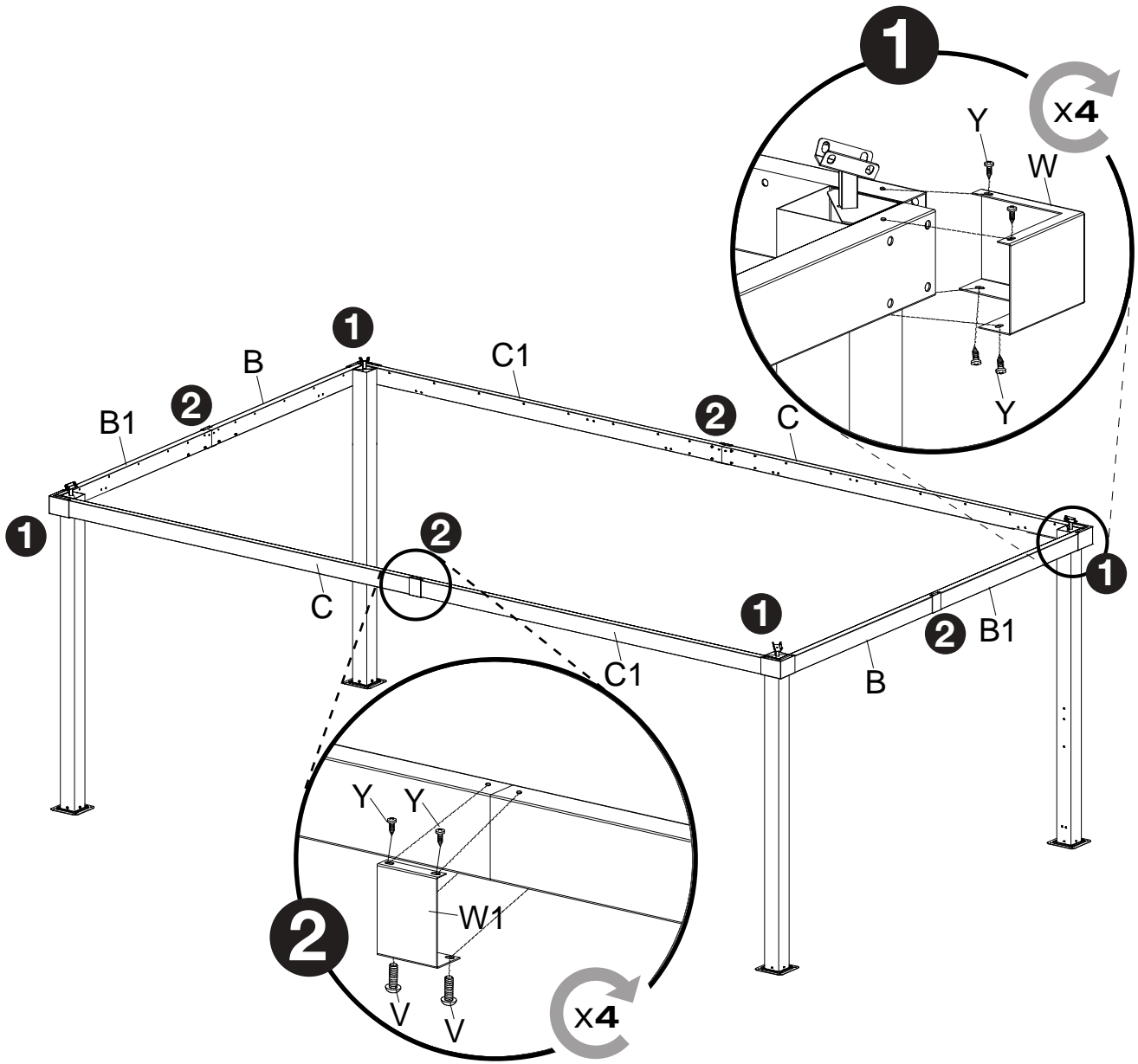


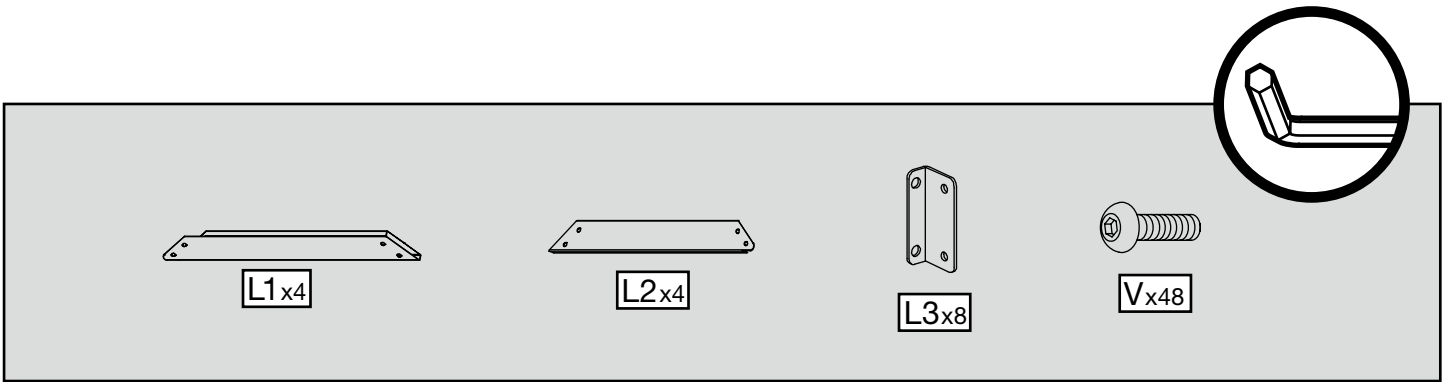
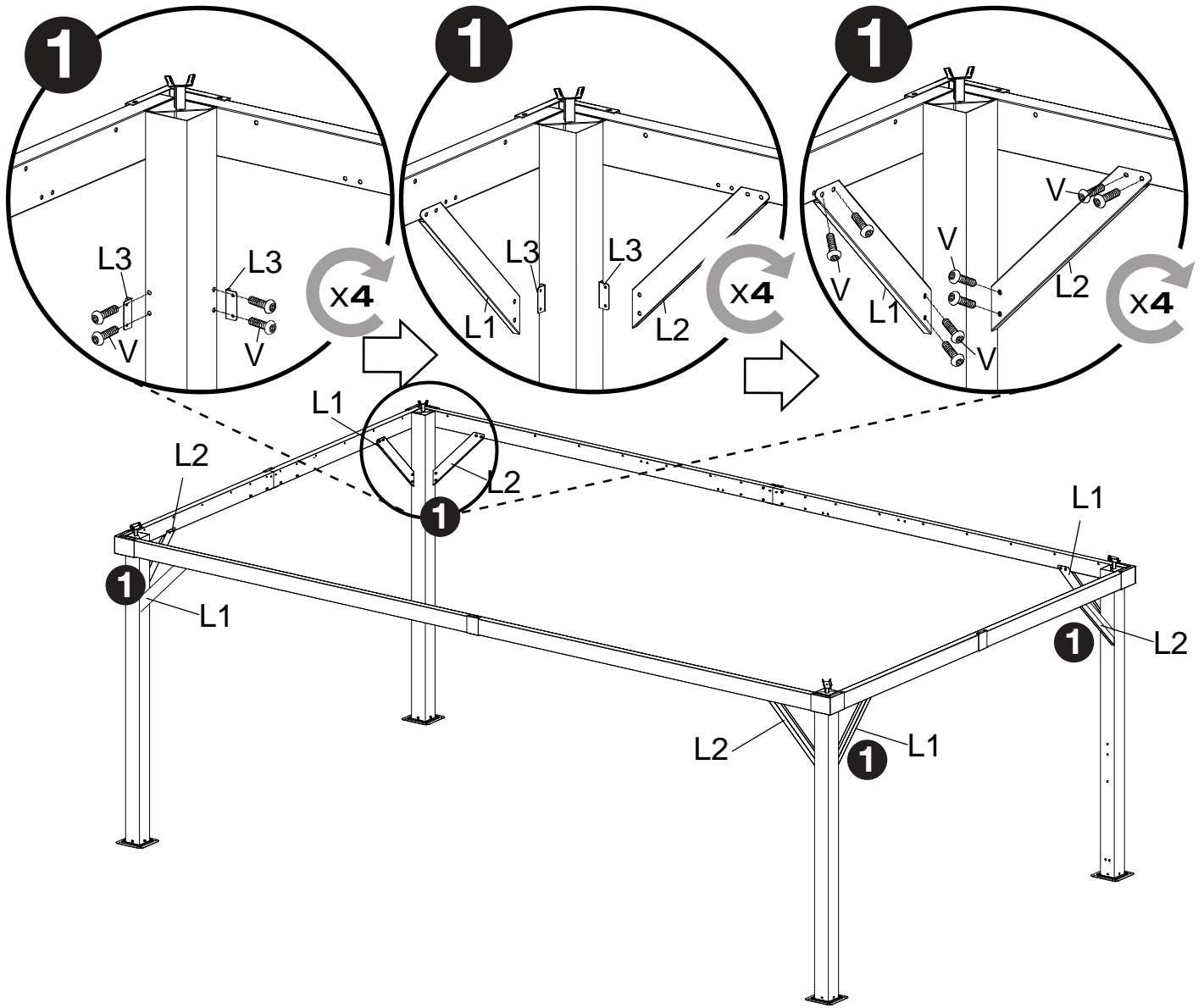


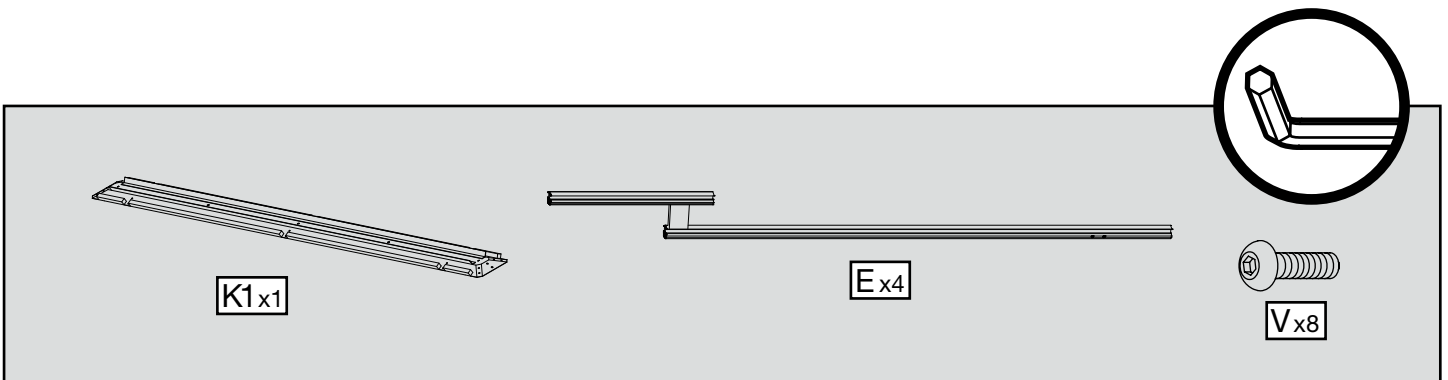
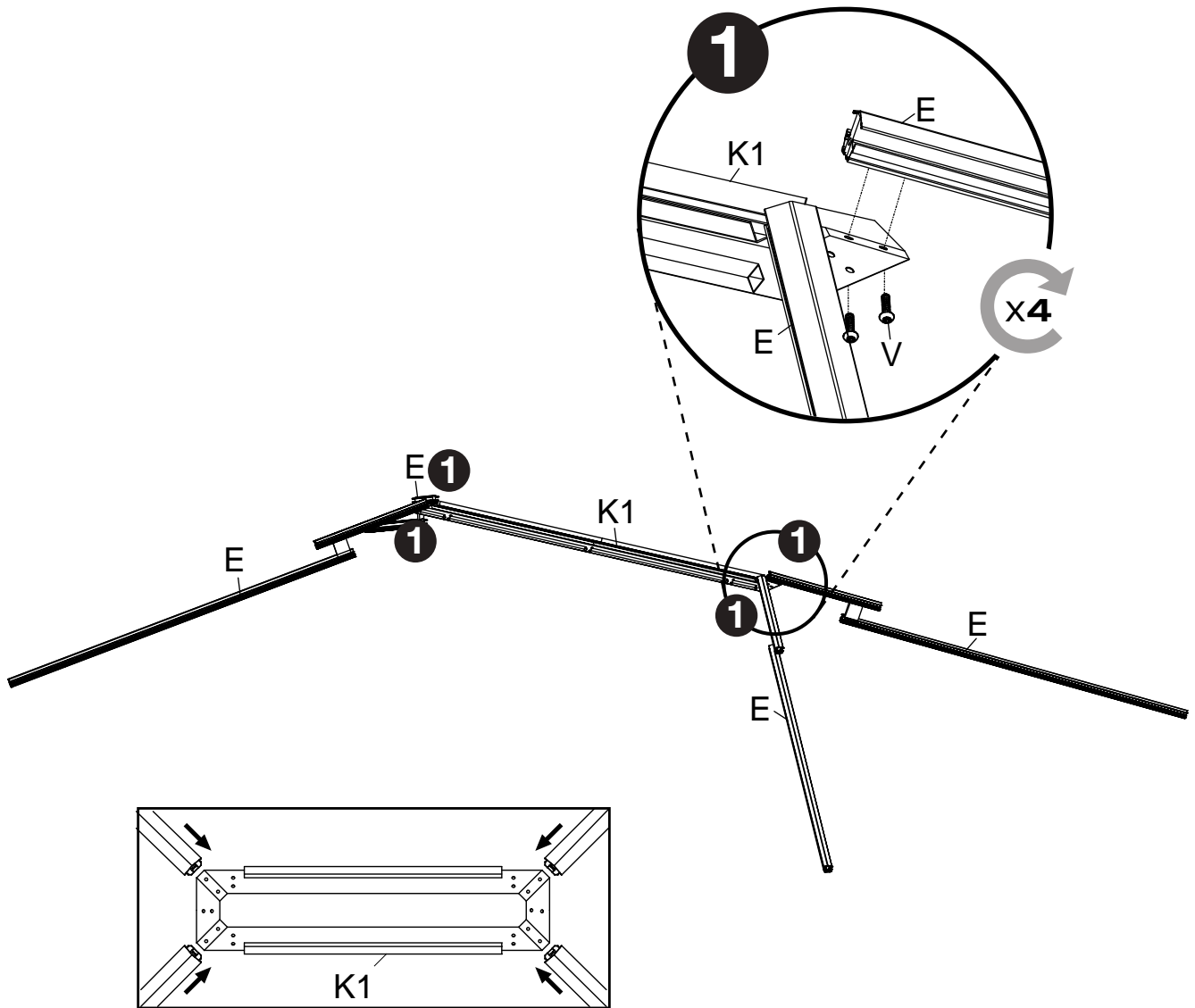


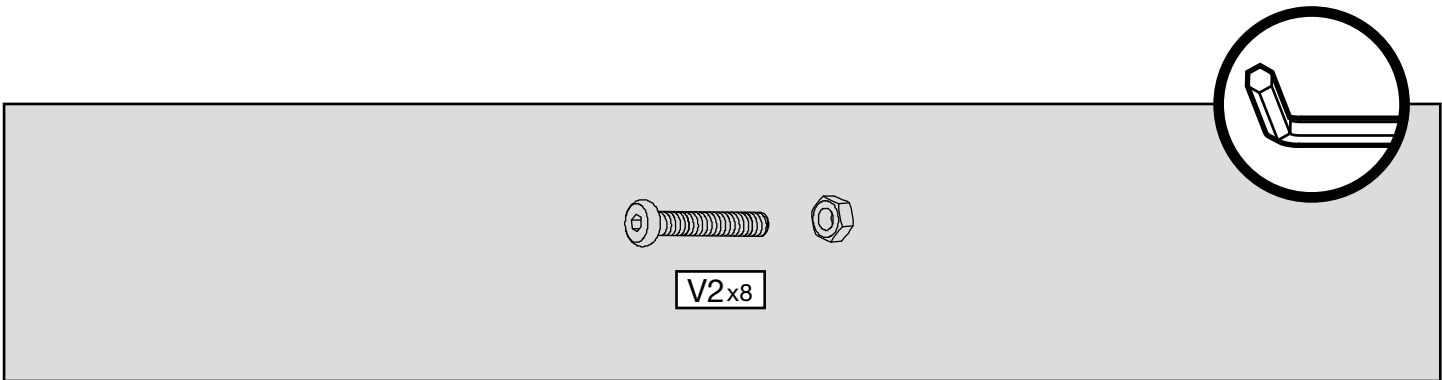
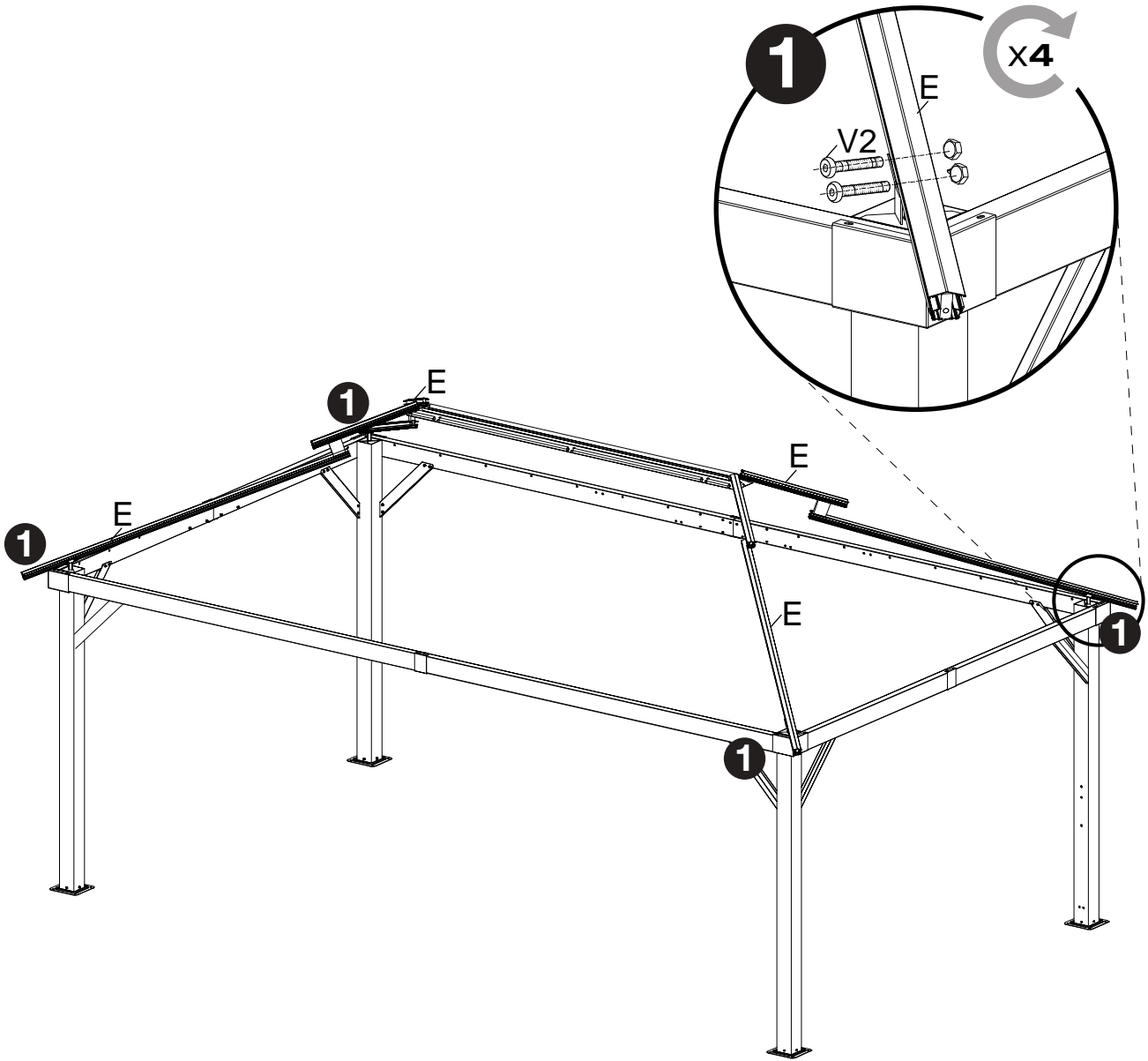


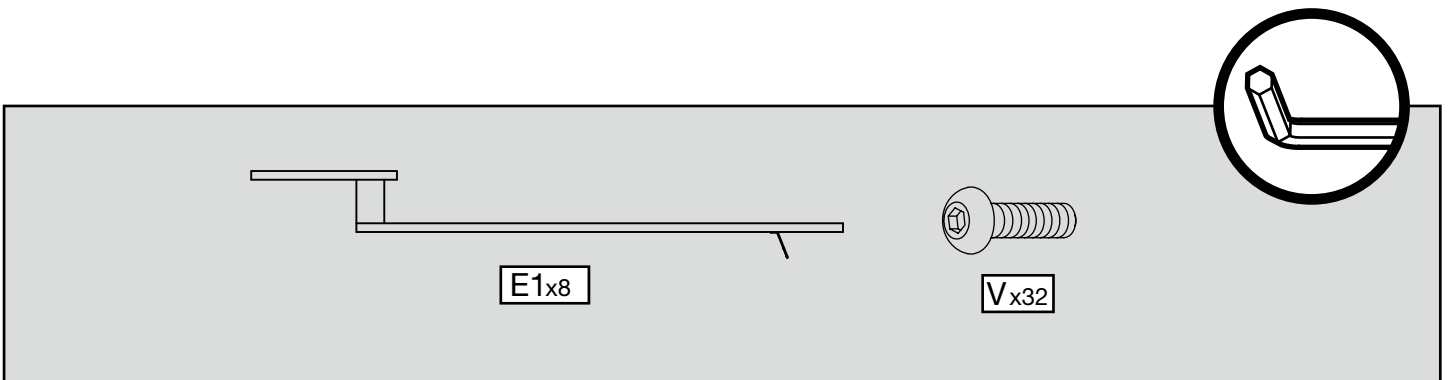
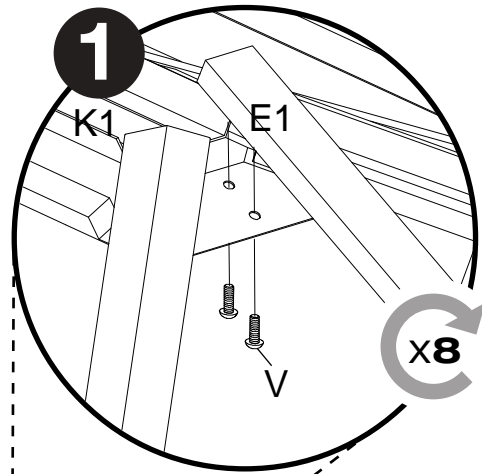
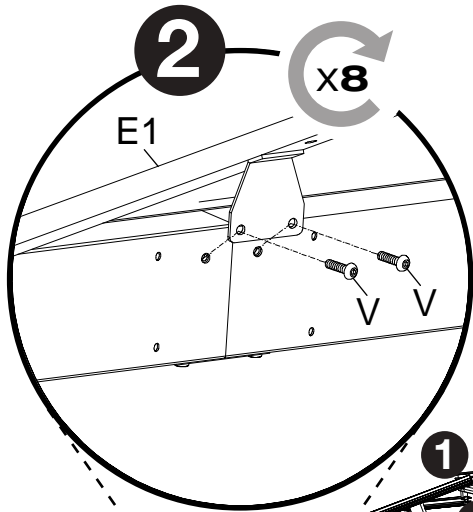
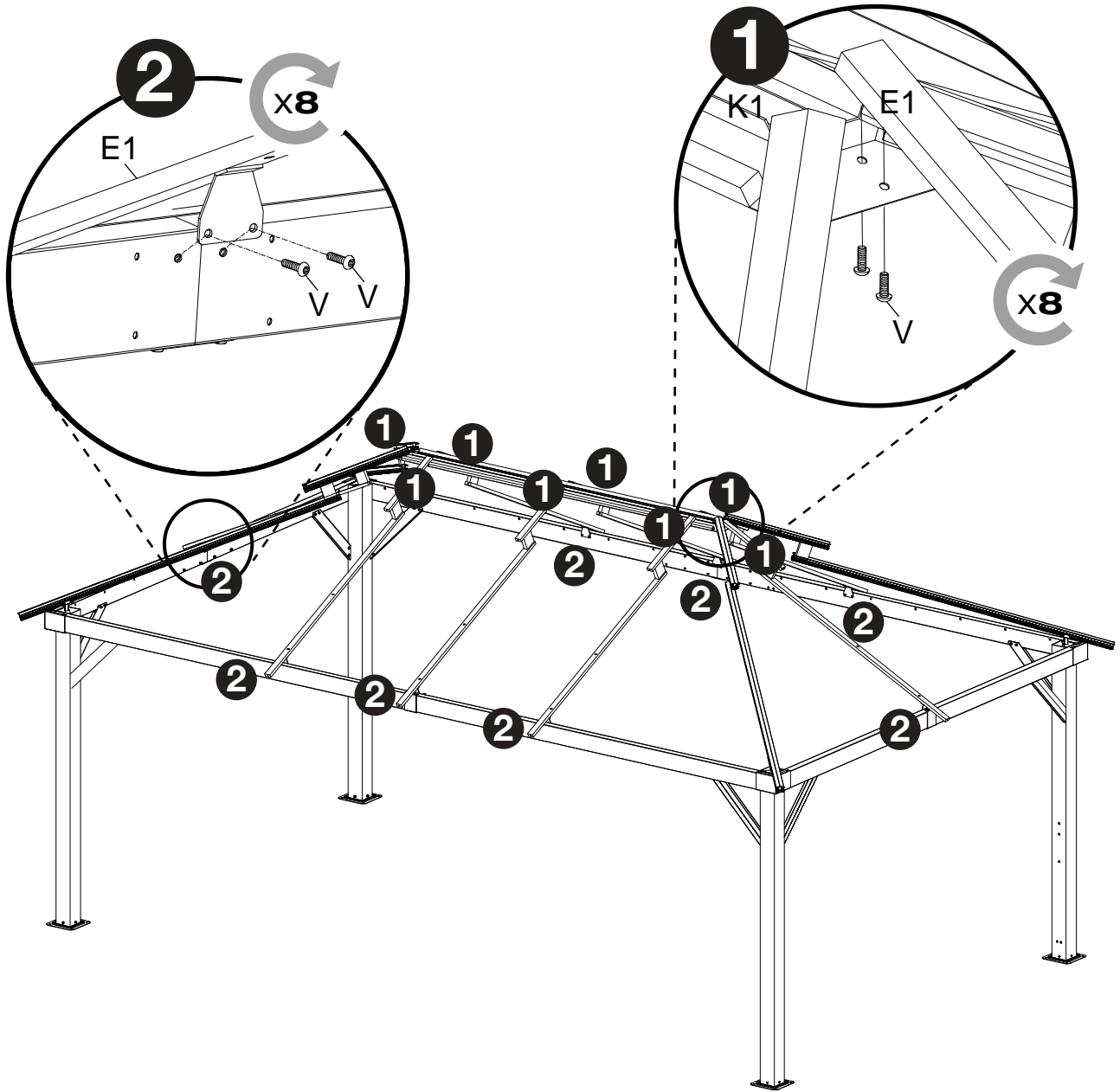
Xx32

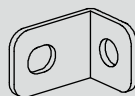
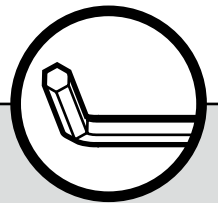
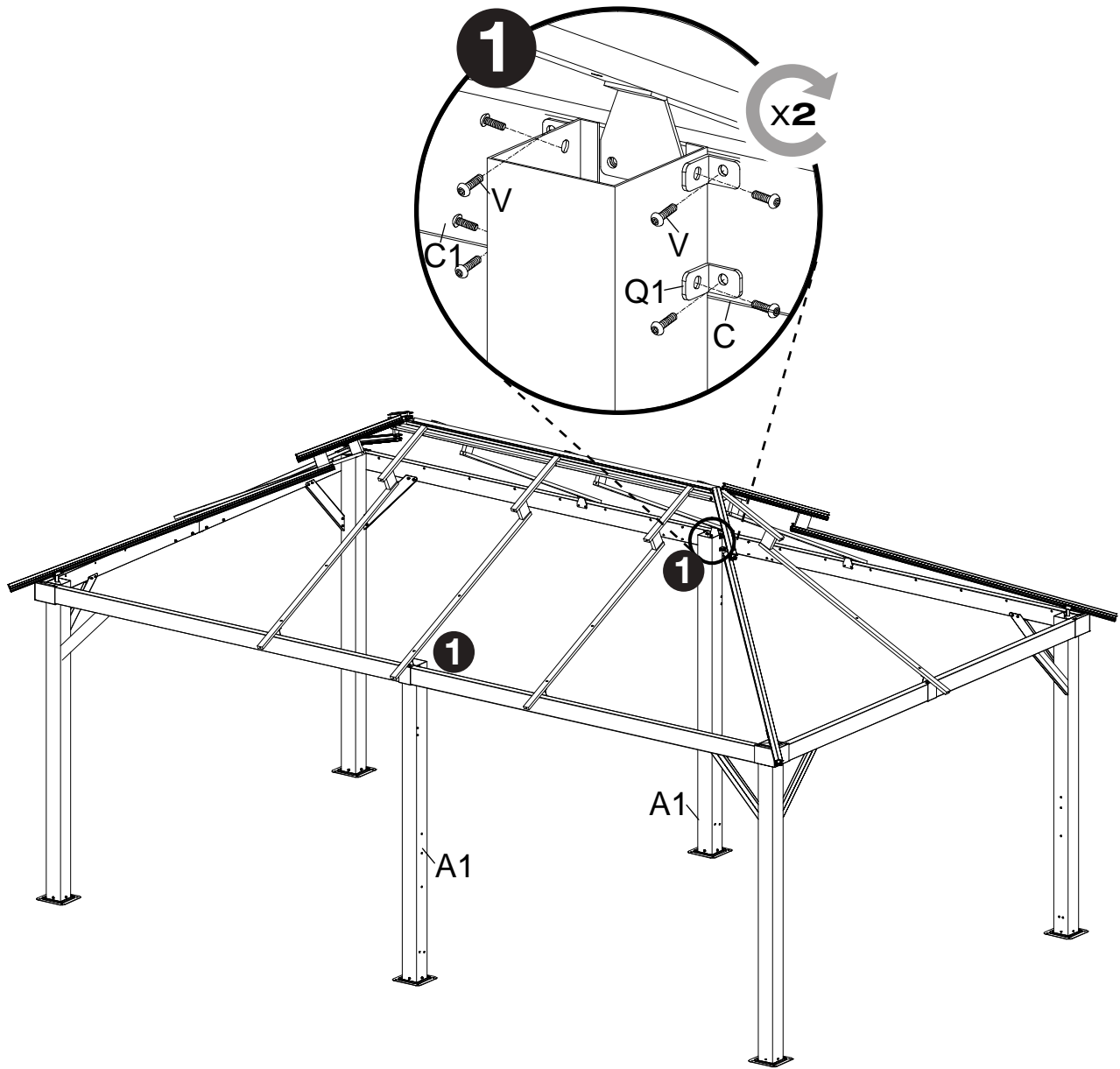




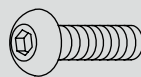




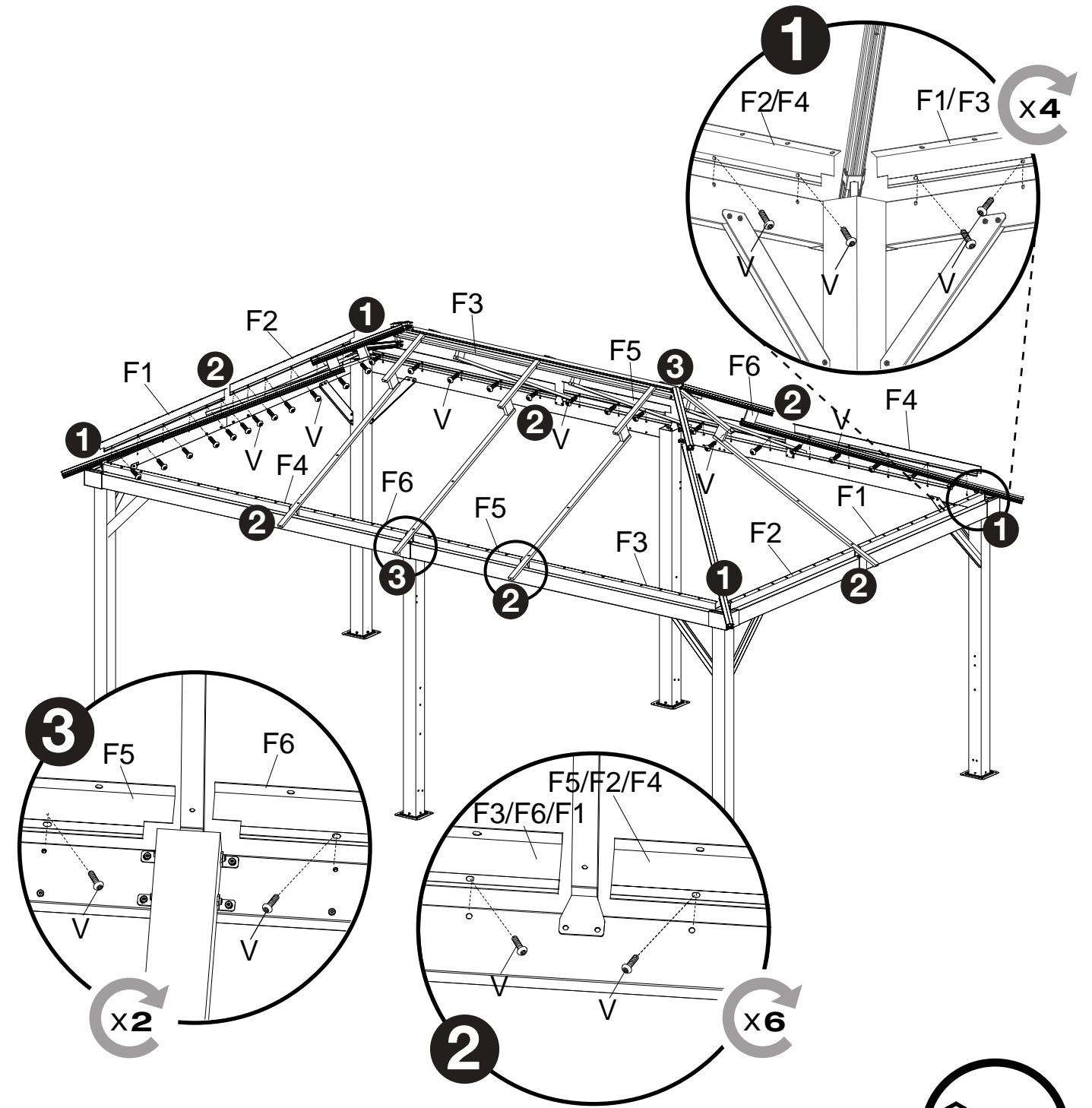


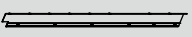
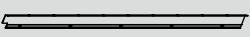


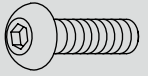
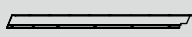




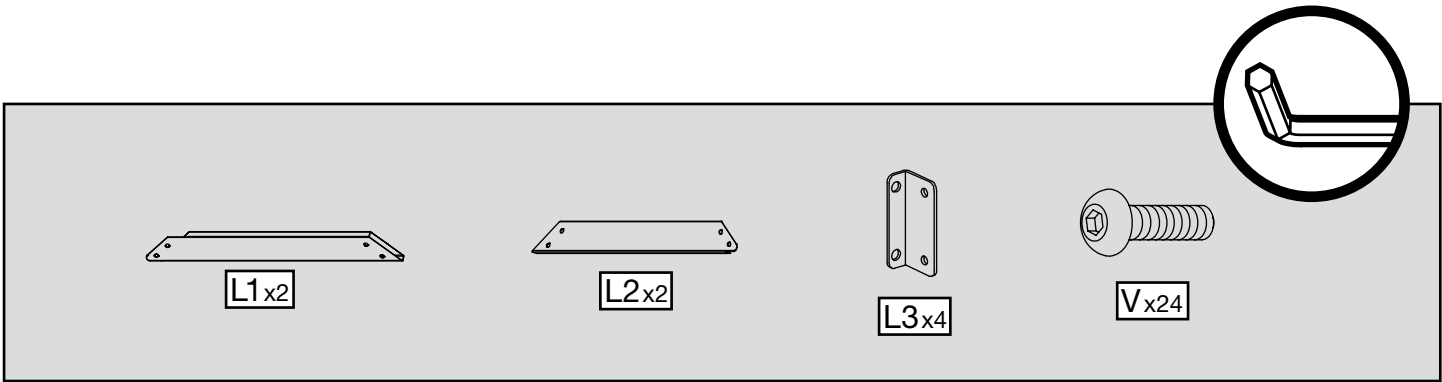
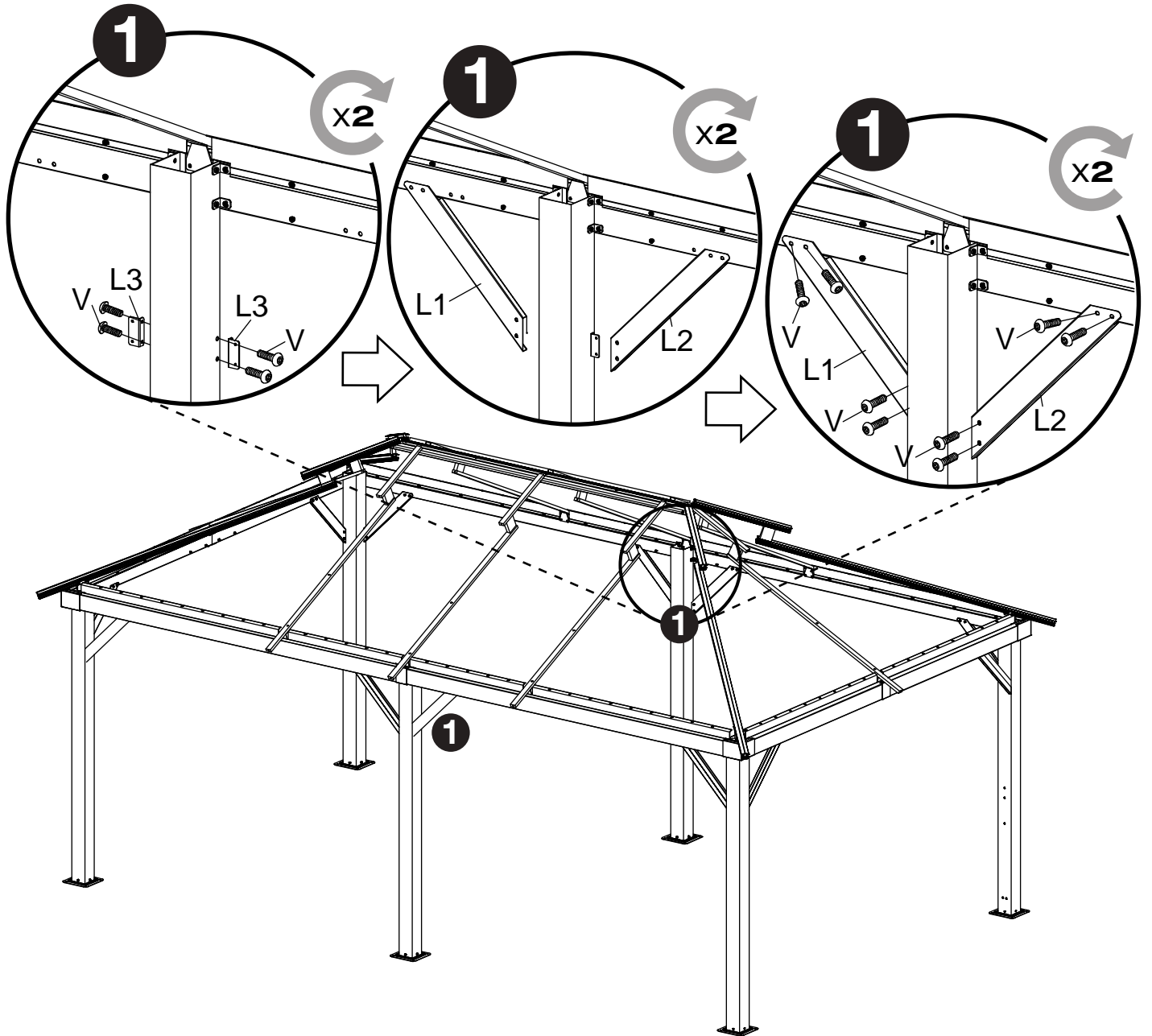
Q1x8

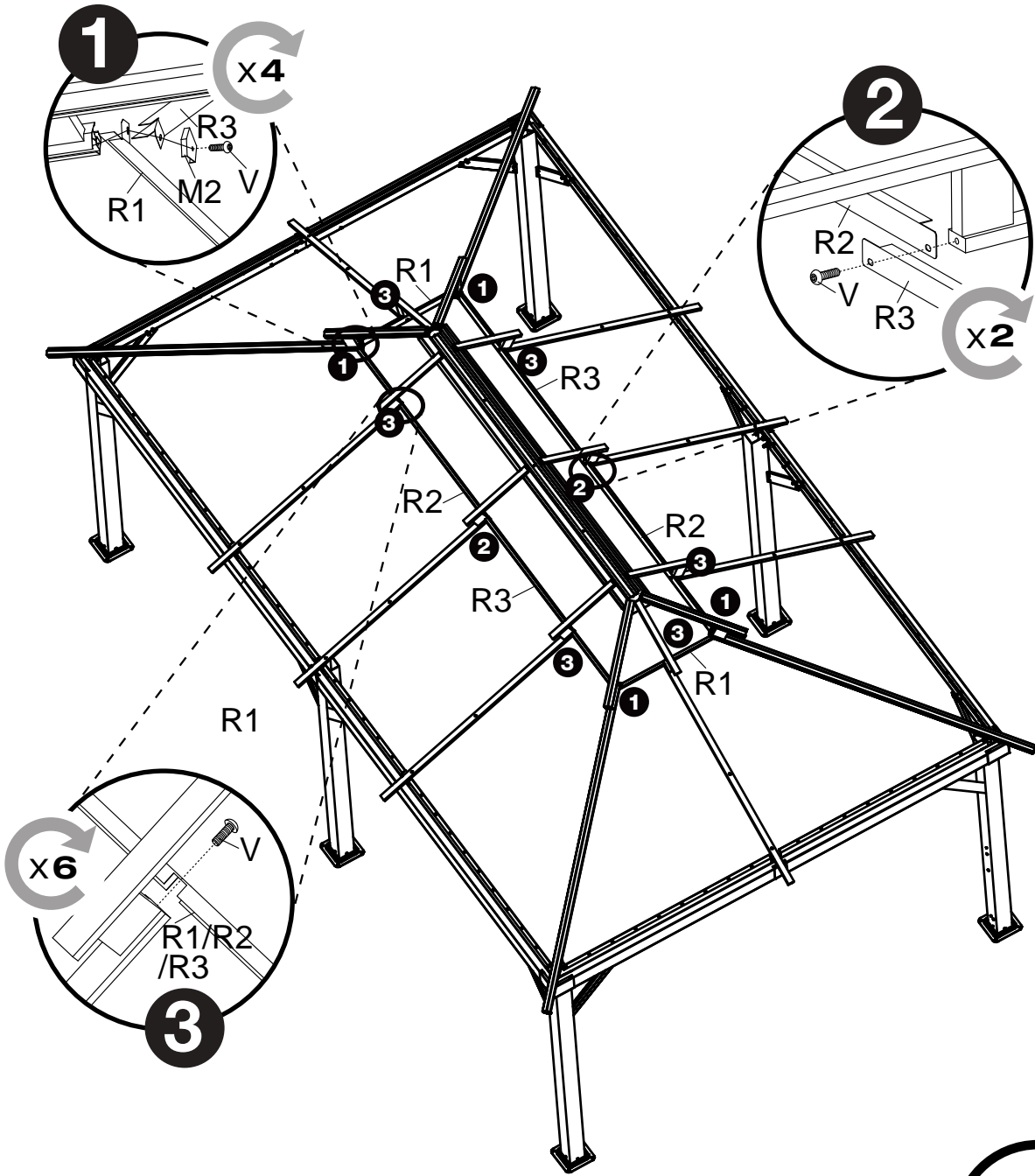


Vx16



 F1 x2	 F3 x2	 F5 x2	  V x56
 F2 x2	 F4 x2	 F6 x2	






R1x2

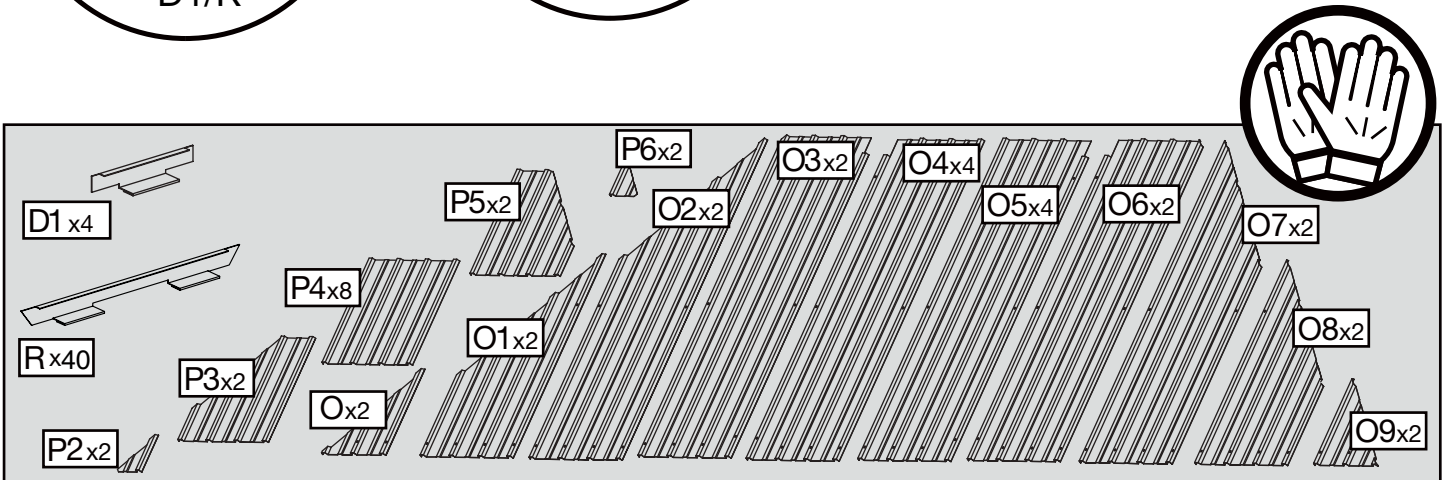
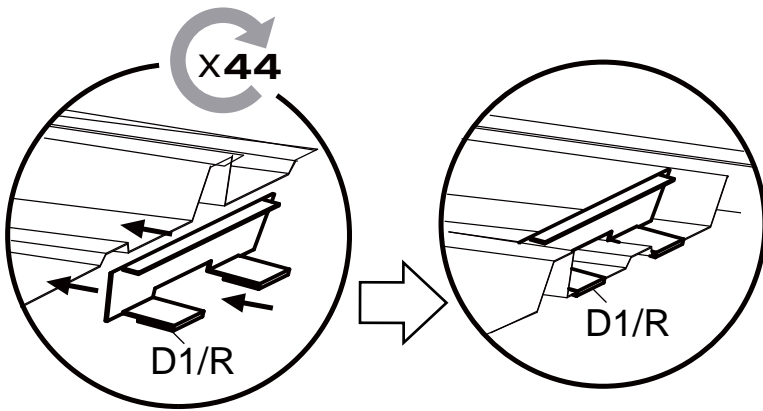
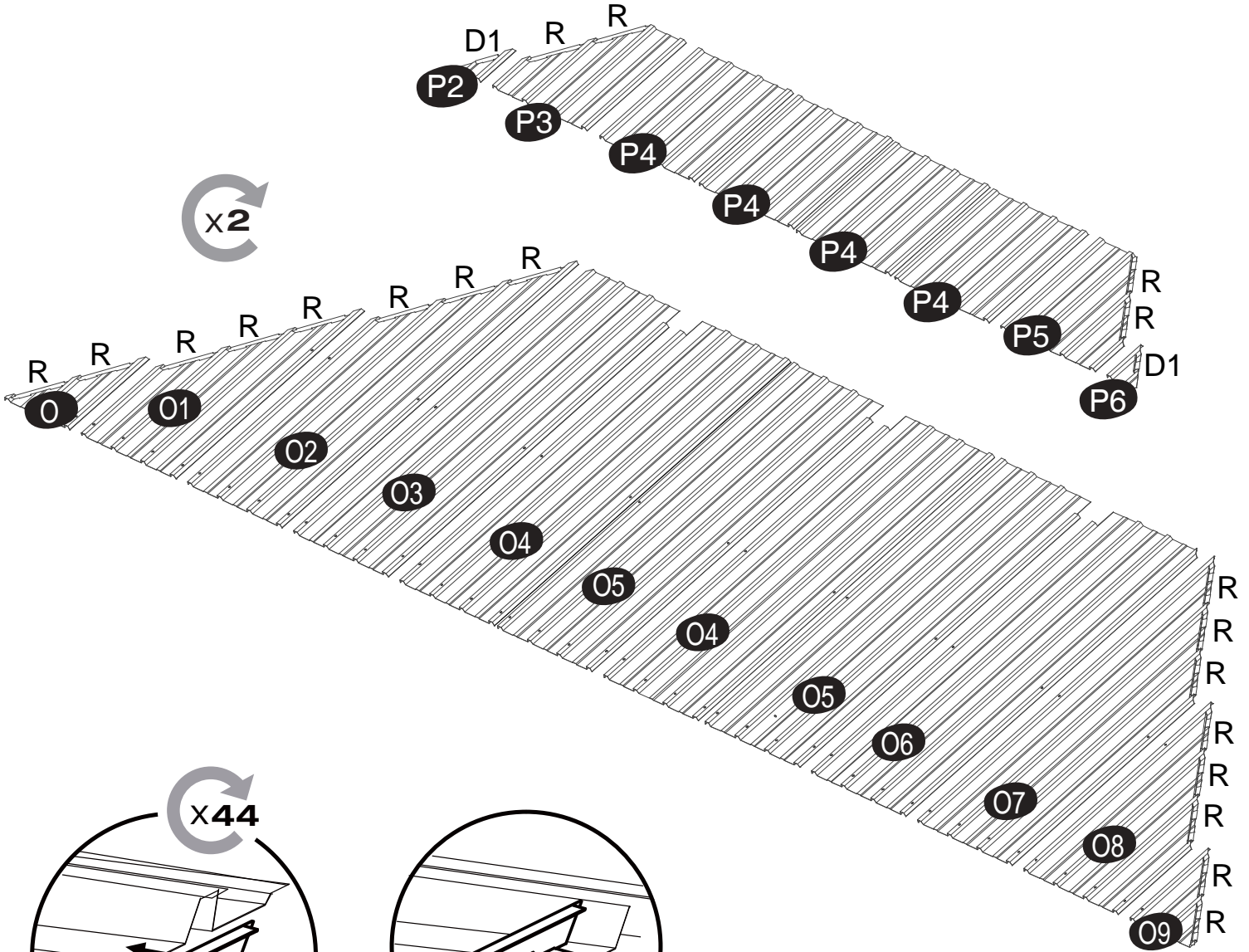
R2x2

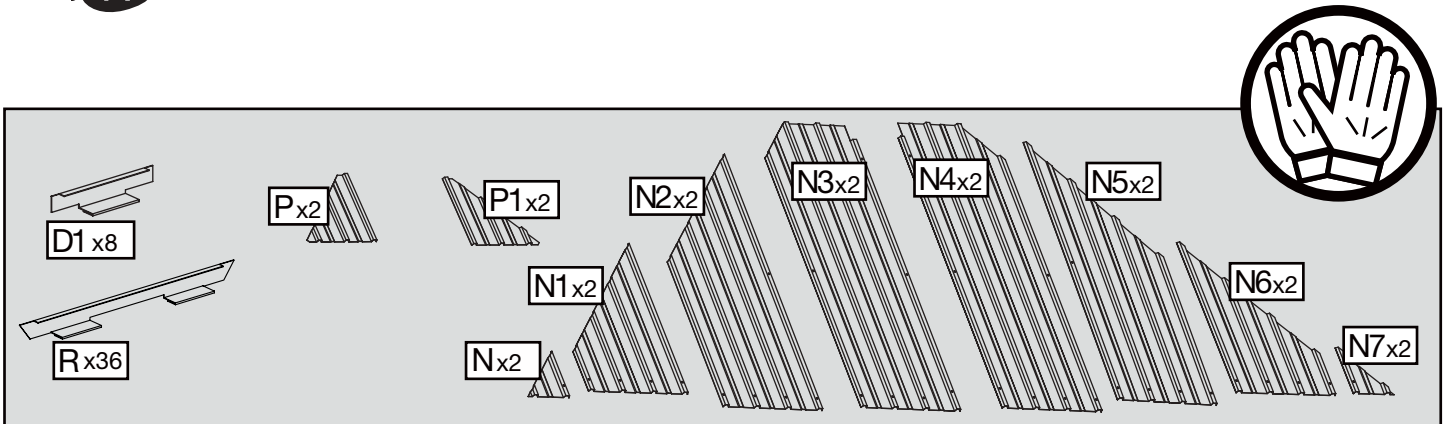
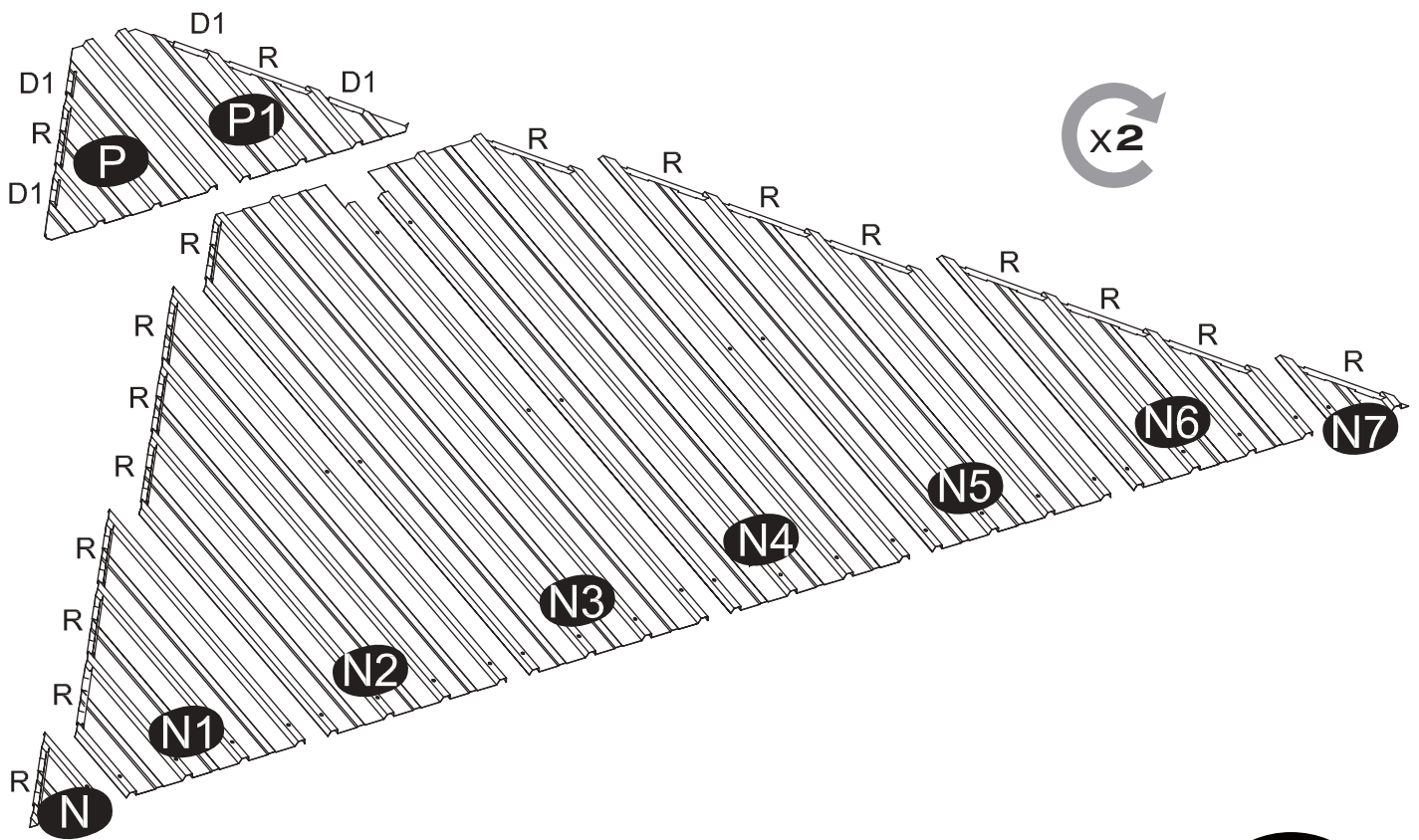
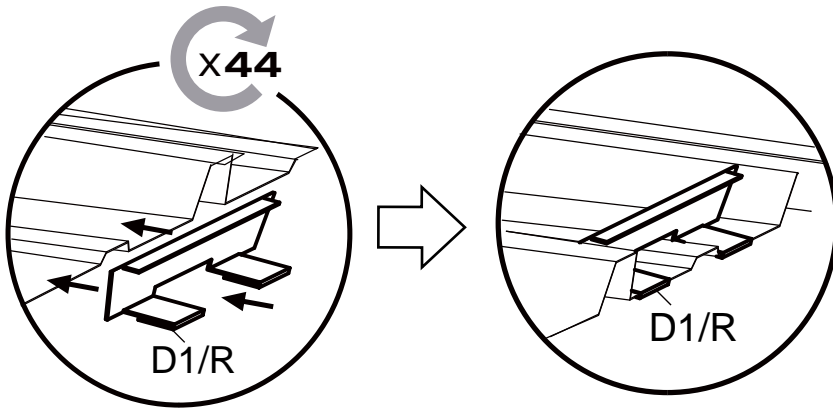
R3x2

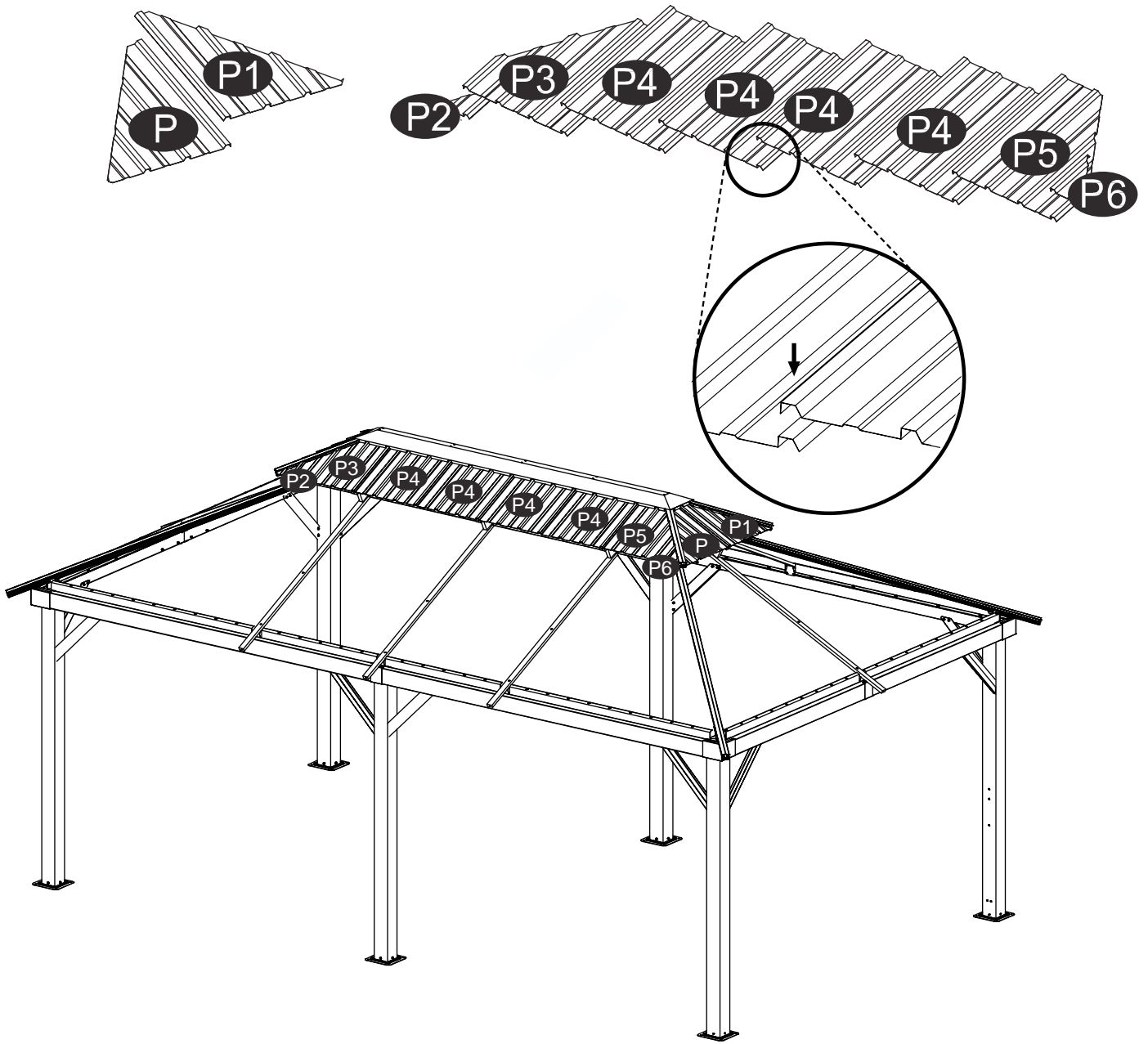
Vx12

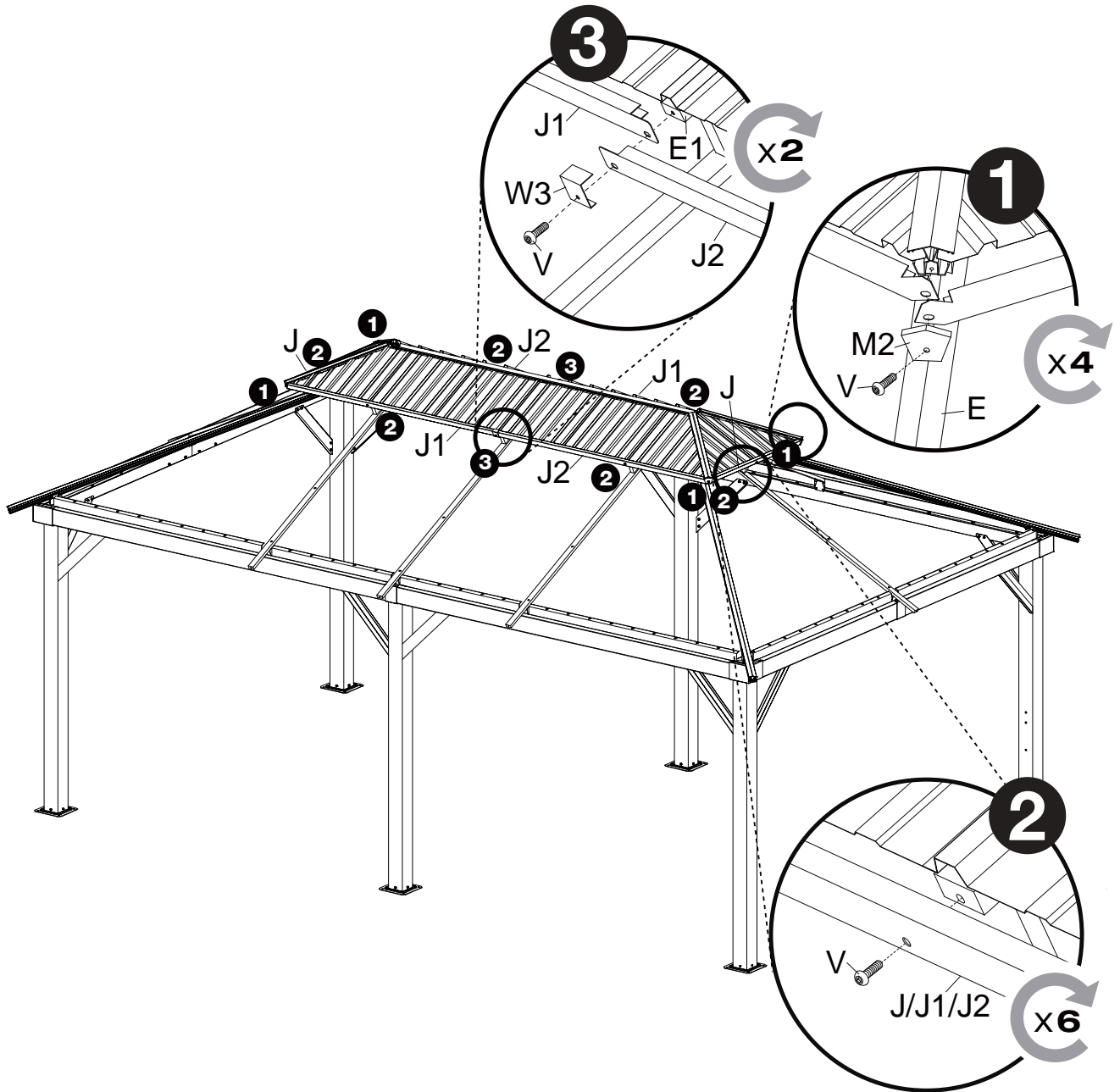
M2x4







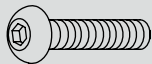
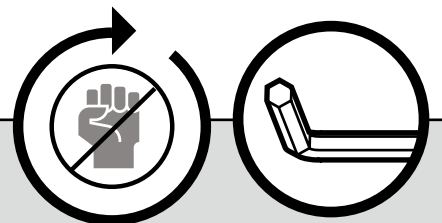
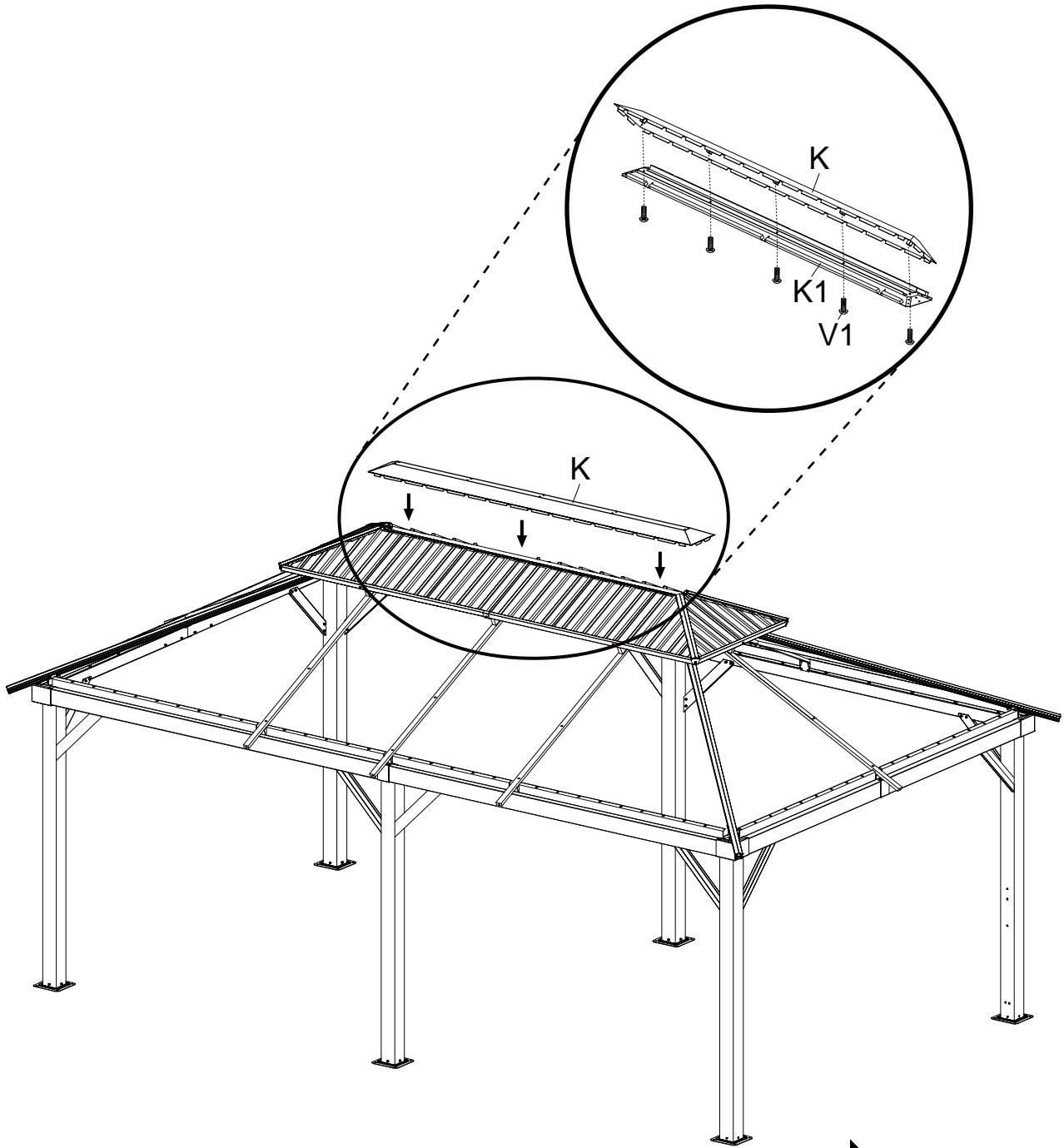




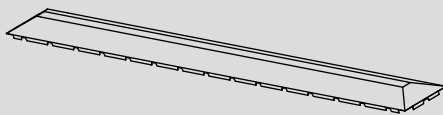
A parts list diagram showing the components required for assembly:

- Jx2**: Two long metal beams.
- J1x2**: Two shorter metal beams.
- J2x2**: Two long metal beams.
- M2x4**: Four metal brackets.
- W3x2**: Two metal brackets.
- Vx12**: Twelve screws.

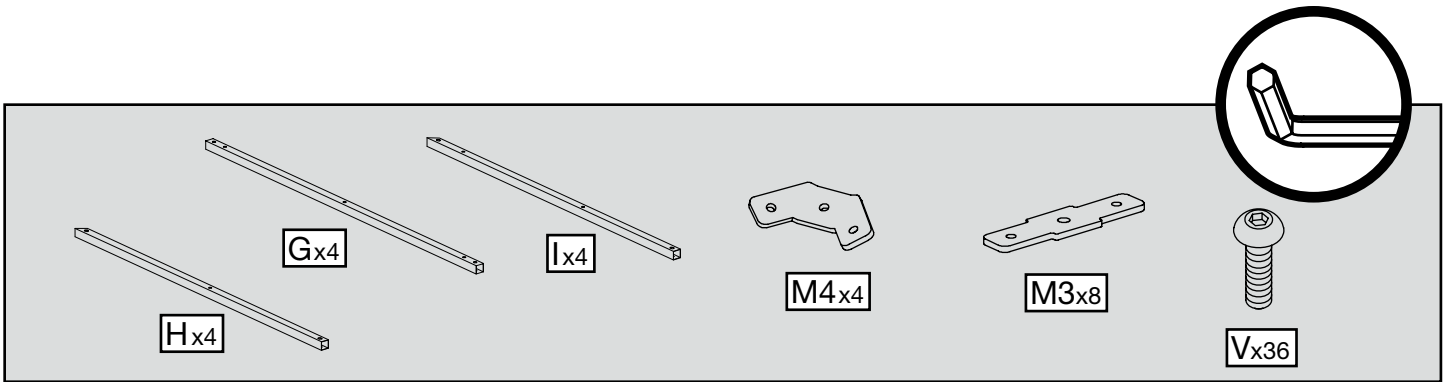
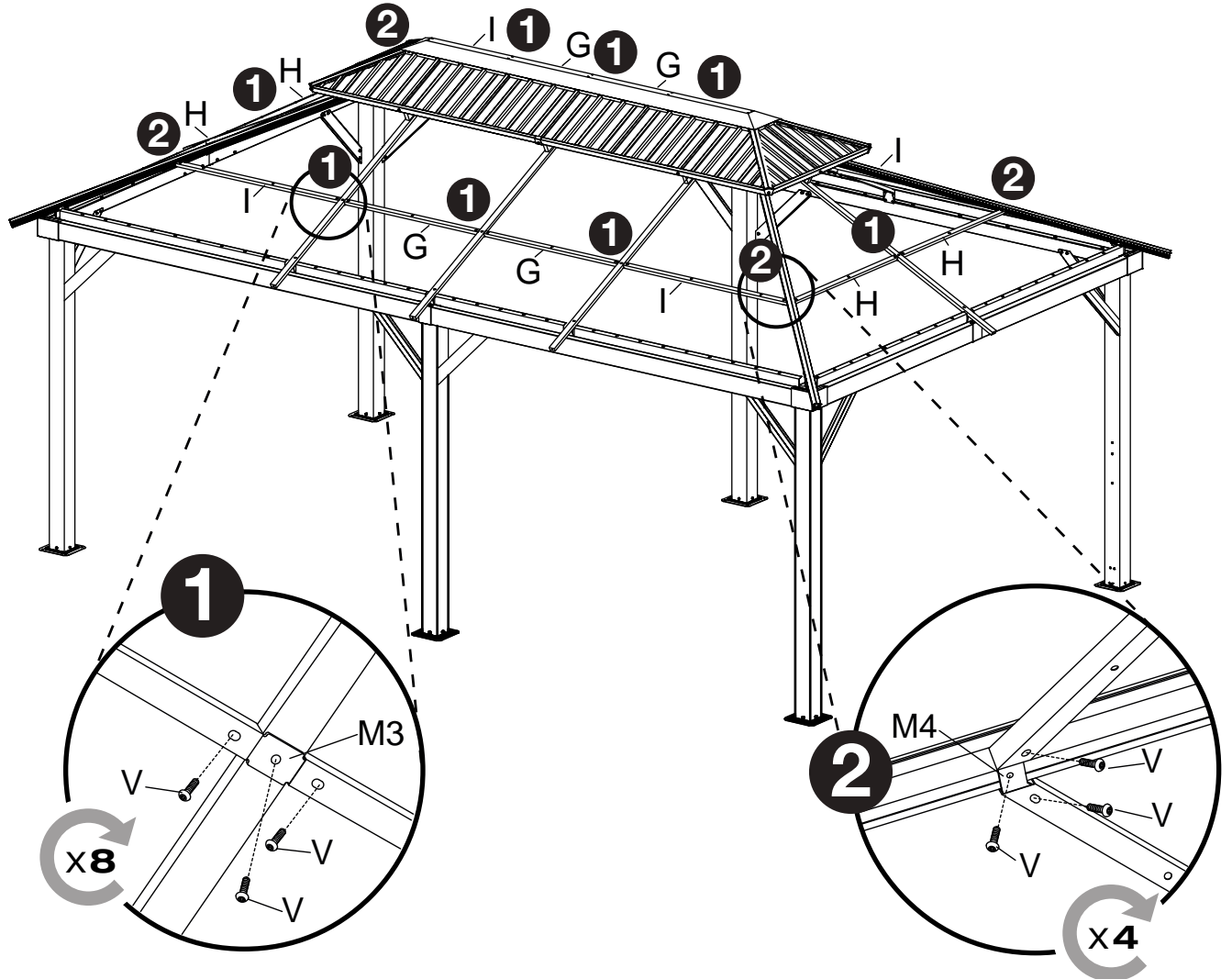
A circular icon on the right shows a screw being inserted into a hole in a metal beam.

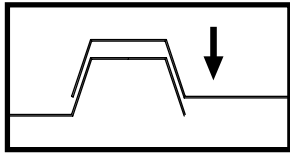


V1x5

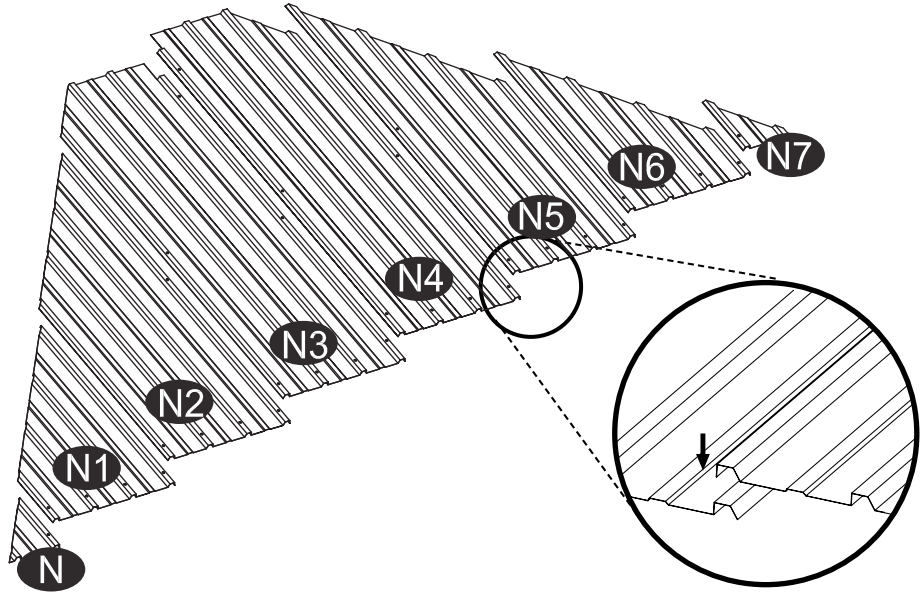


Kx1

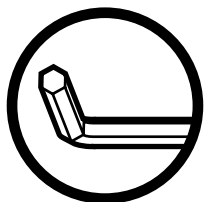
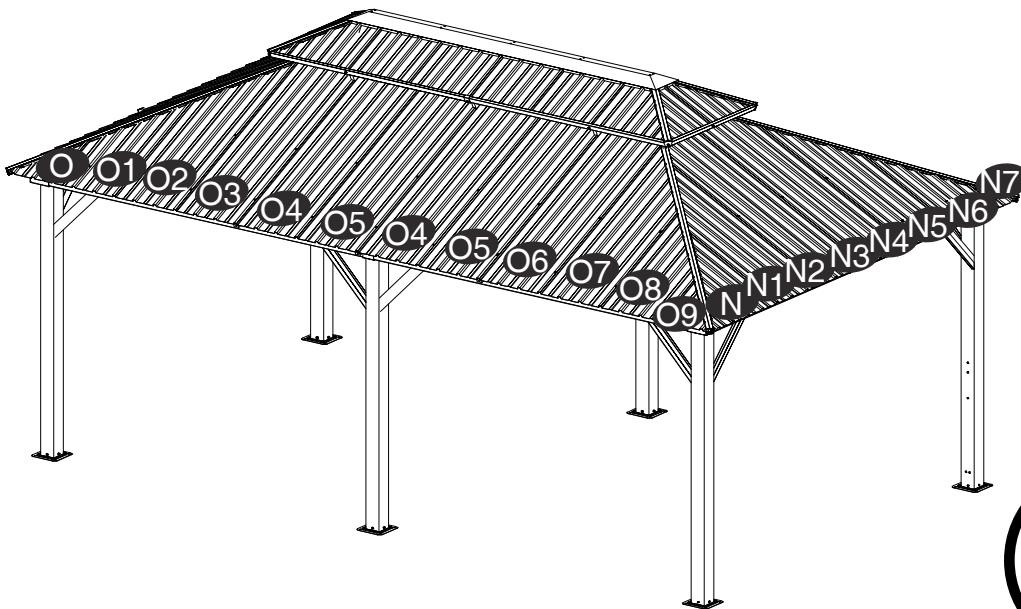
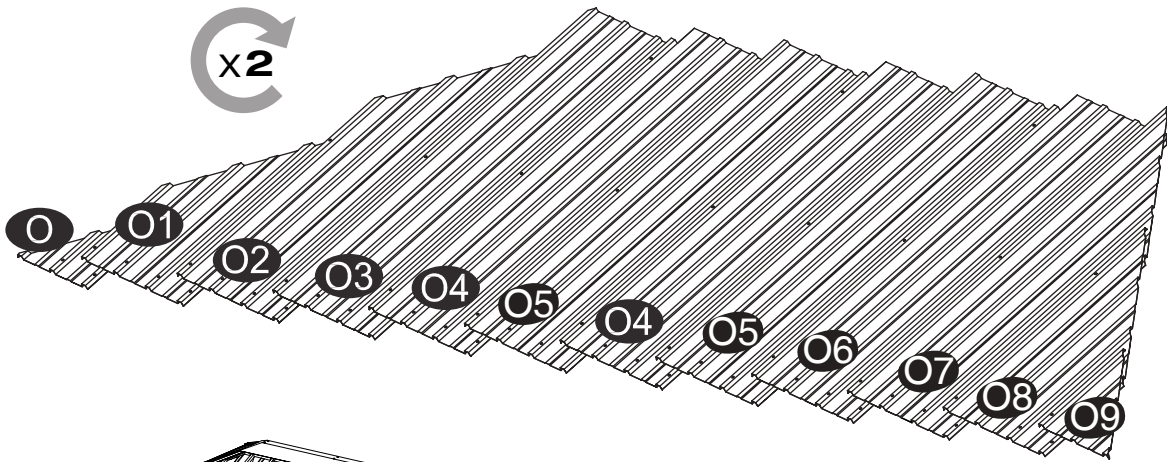


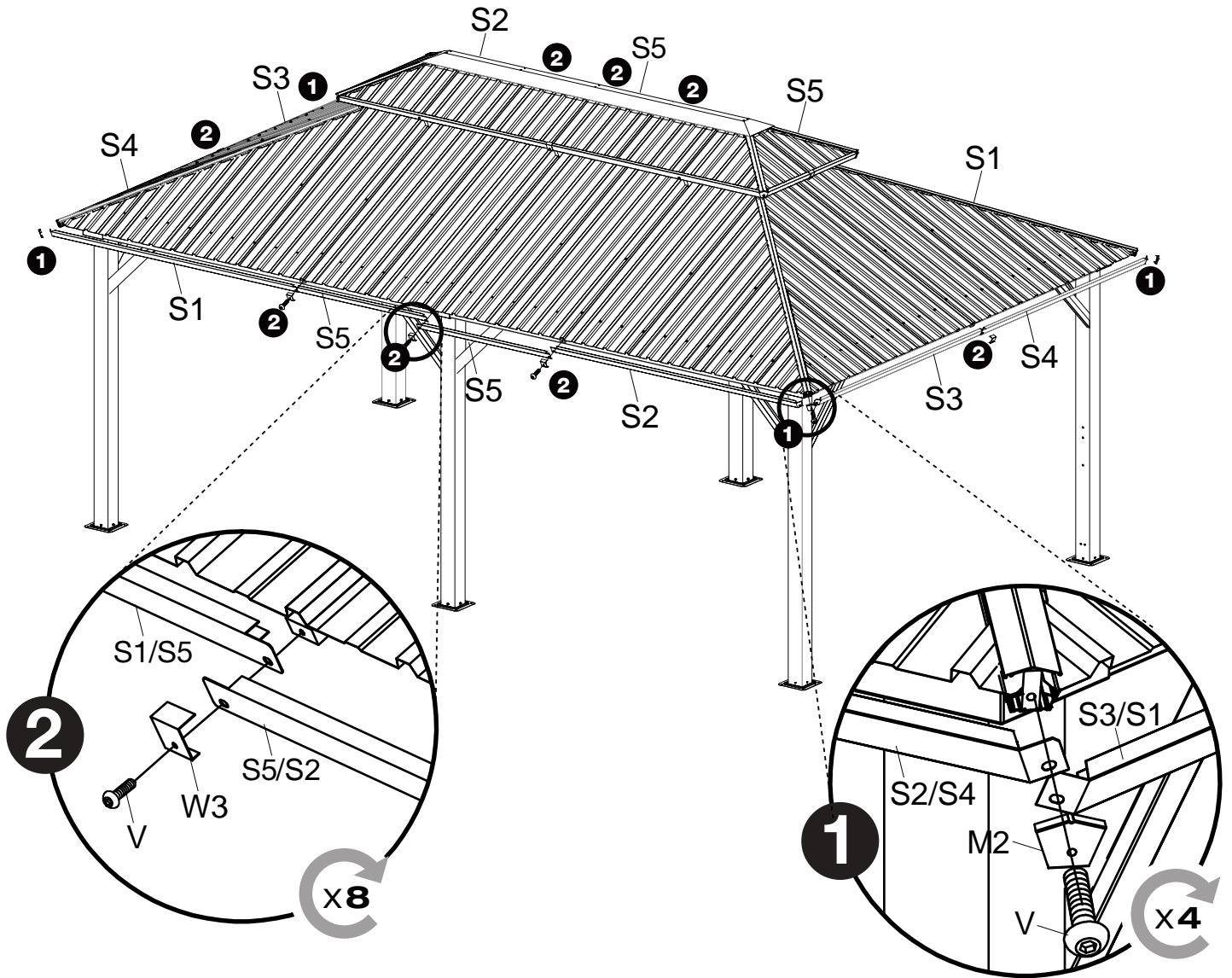


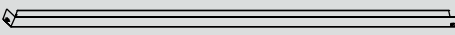
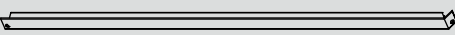




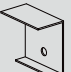


x2

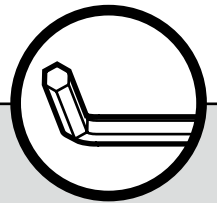
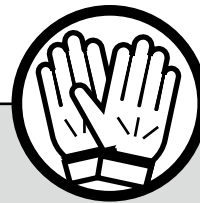
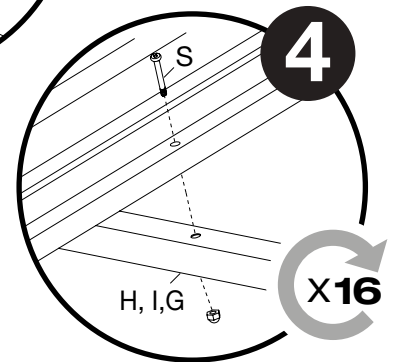
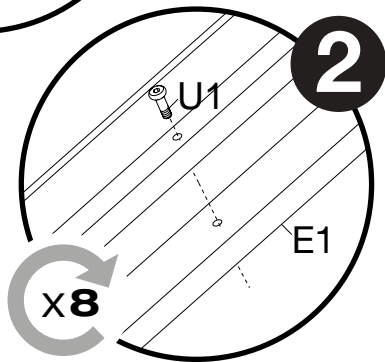
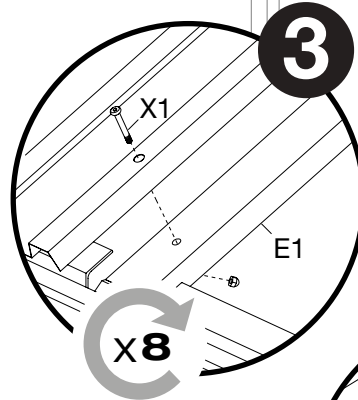
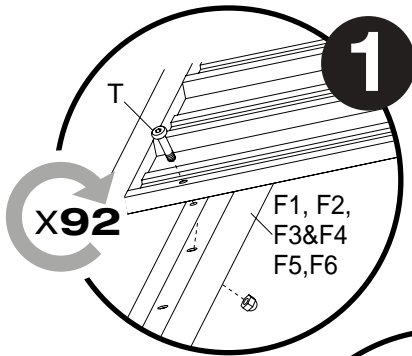
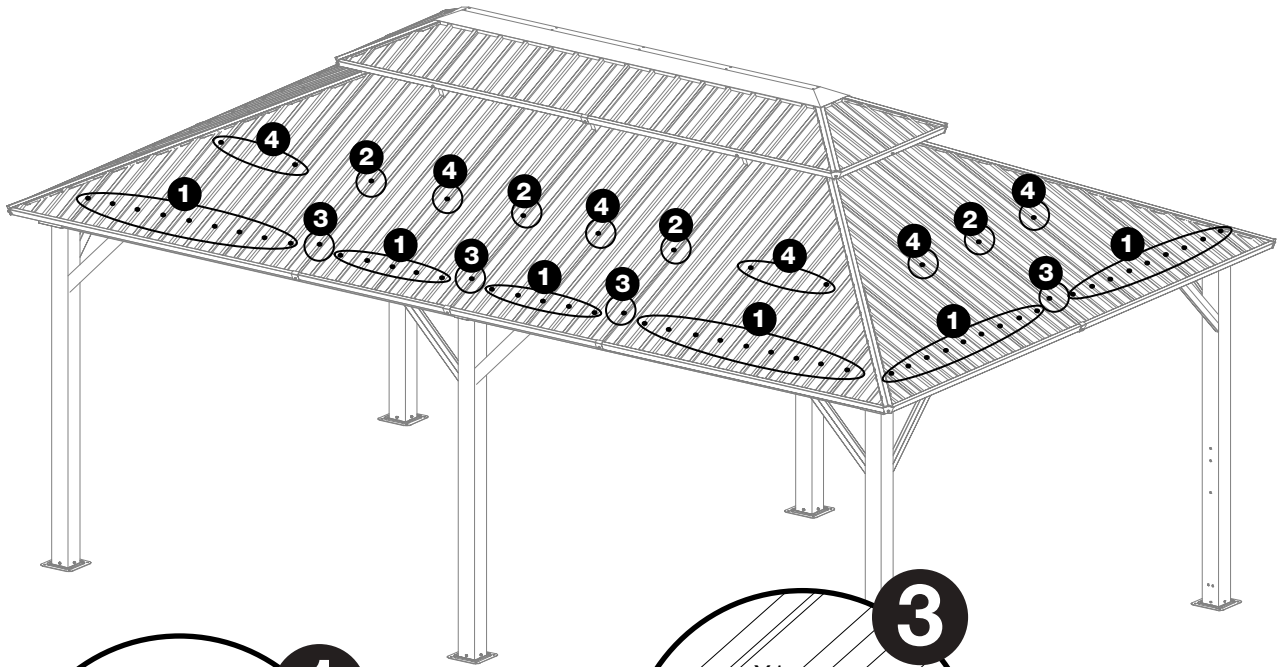


x2

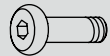




- | | | | | |
|---|------|---|------|---|
|  | S1x2 |  | S2x2 |  |
|  | S3x2 |  | M2x4 | |
|  | S4x2 |  | W3x8 | |
|  | S5x4 |  | Vx12 | |



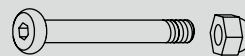
Tx92



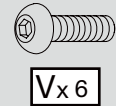
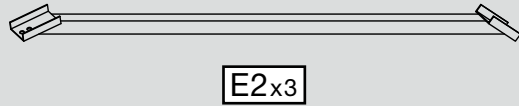
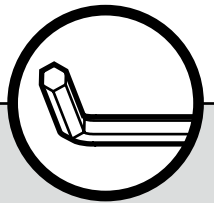
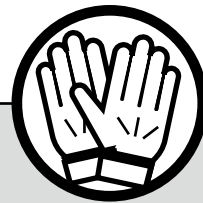
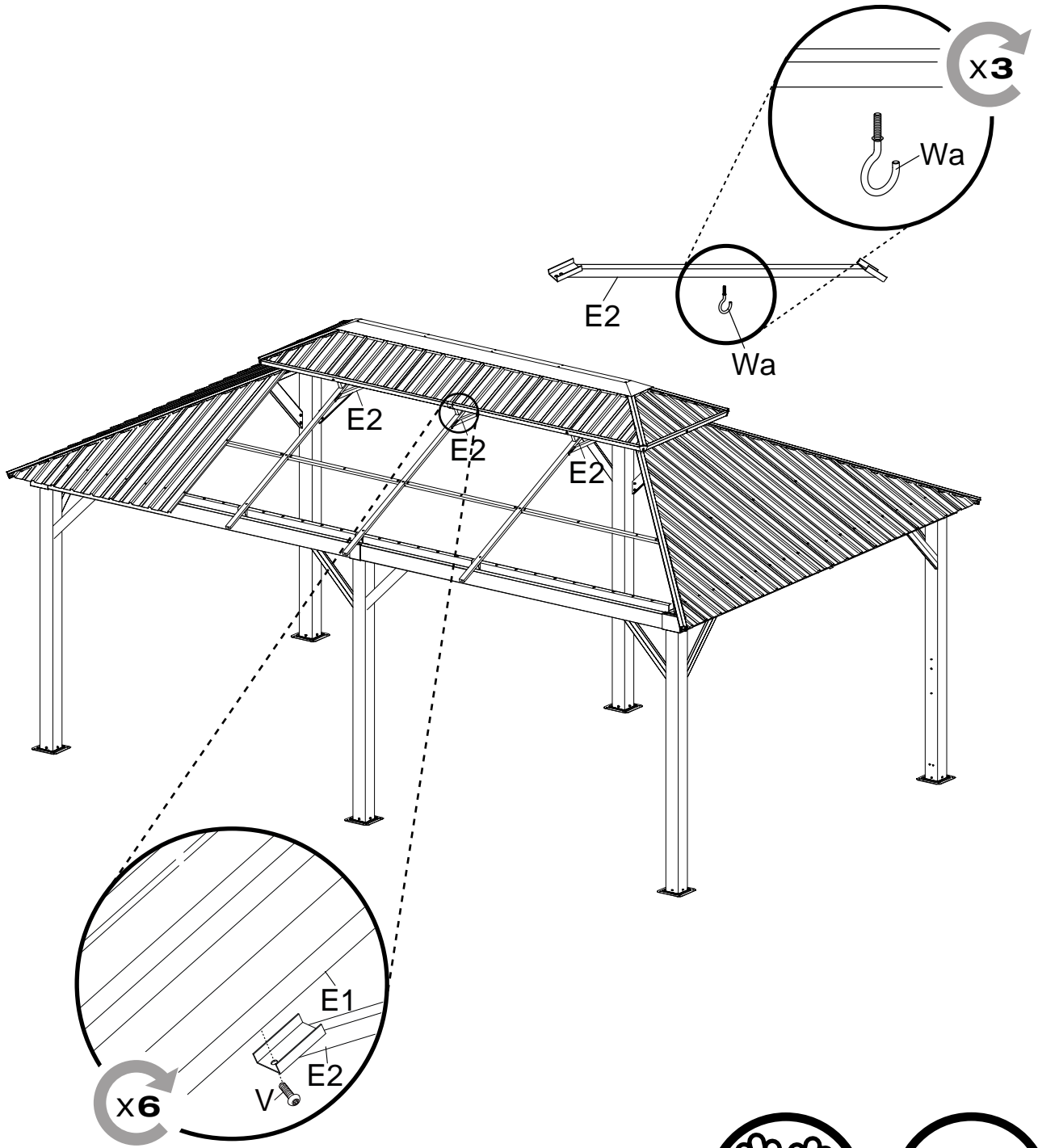
U1x8

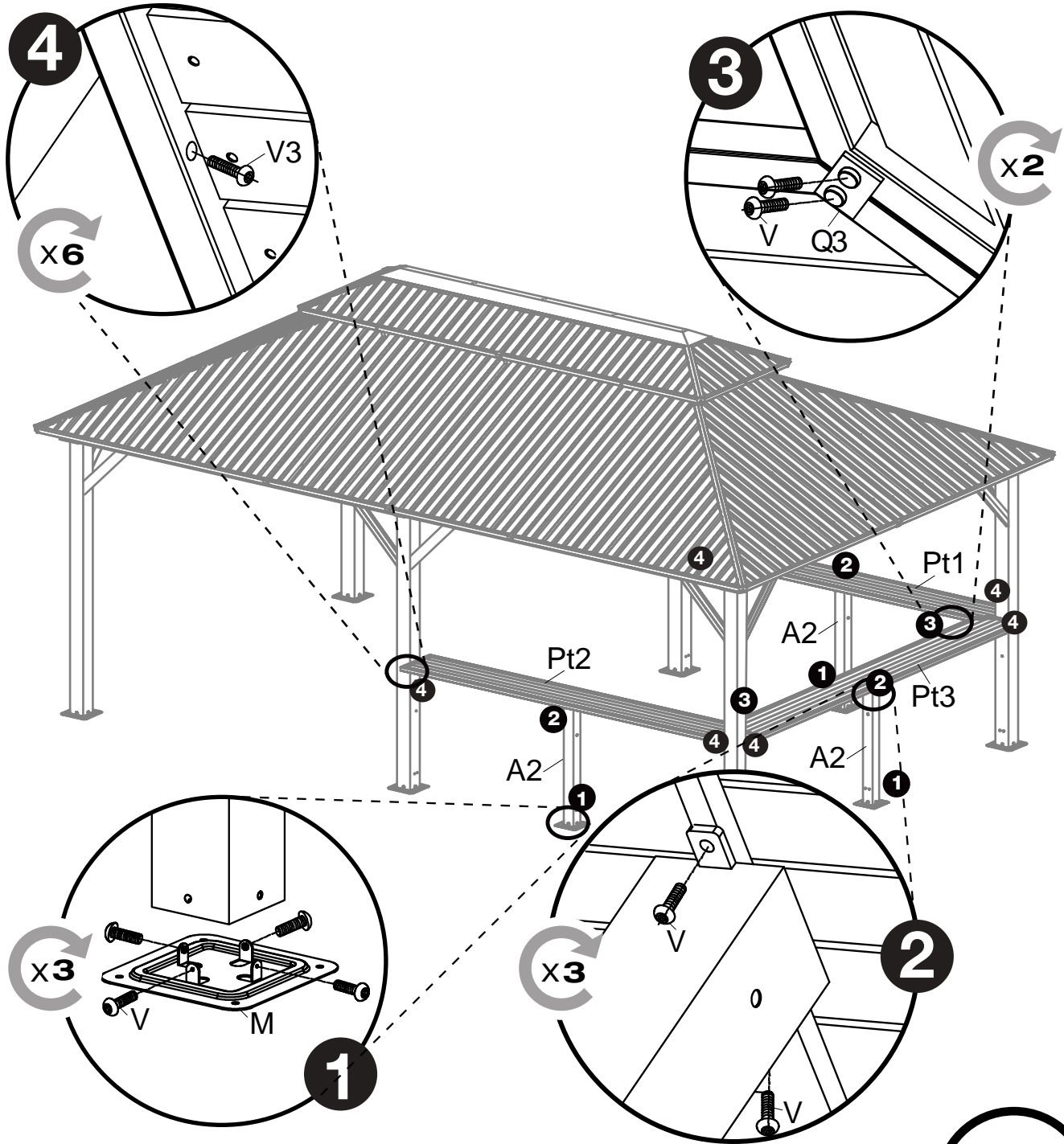


X1 x8

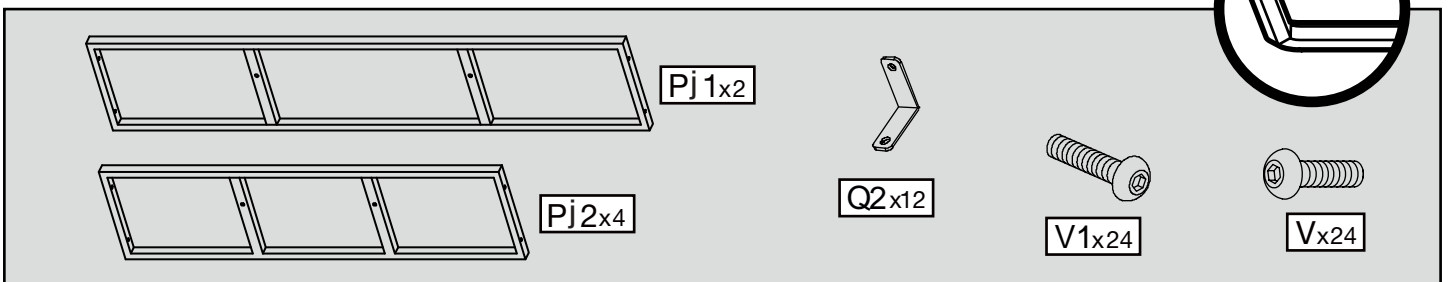
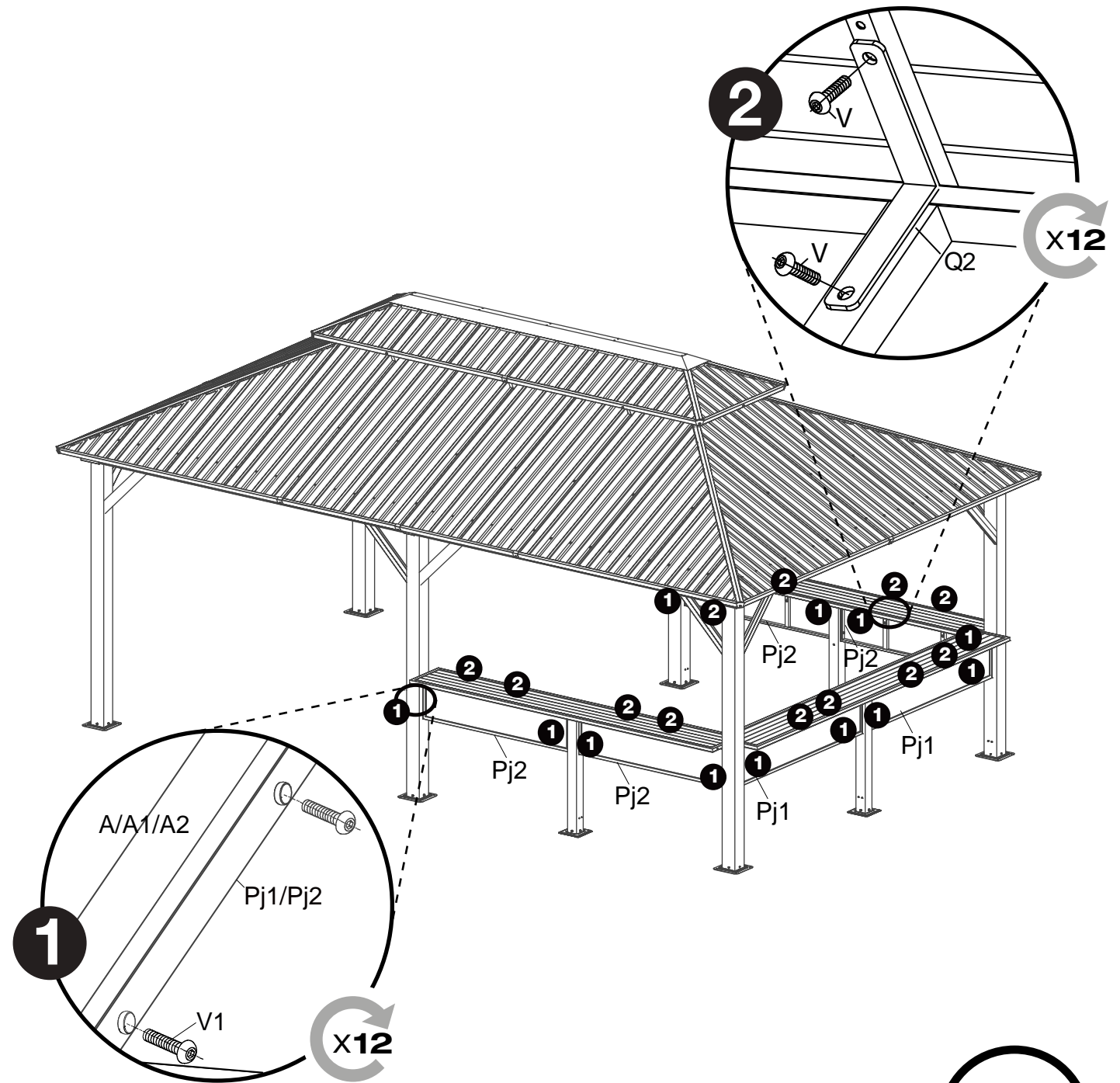


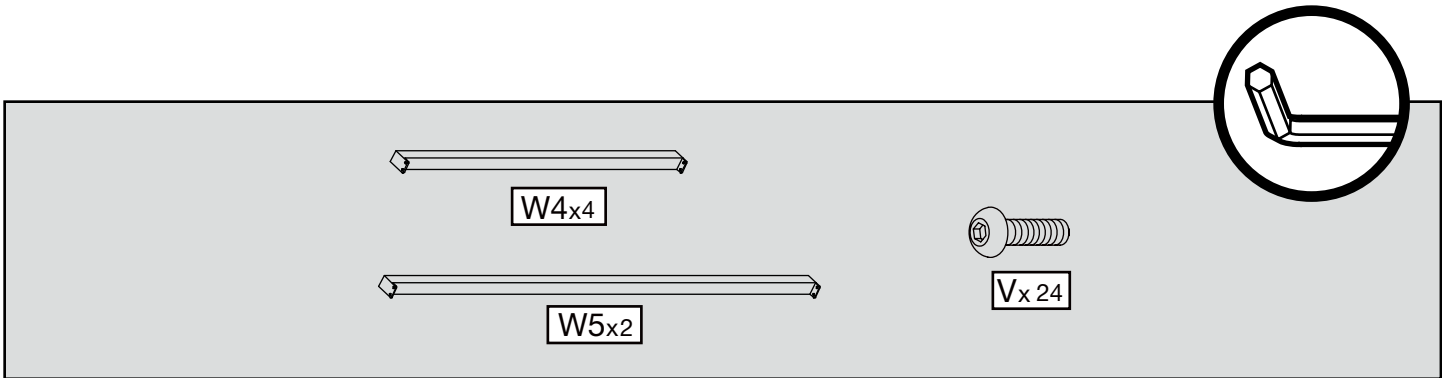
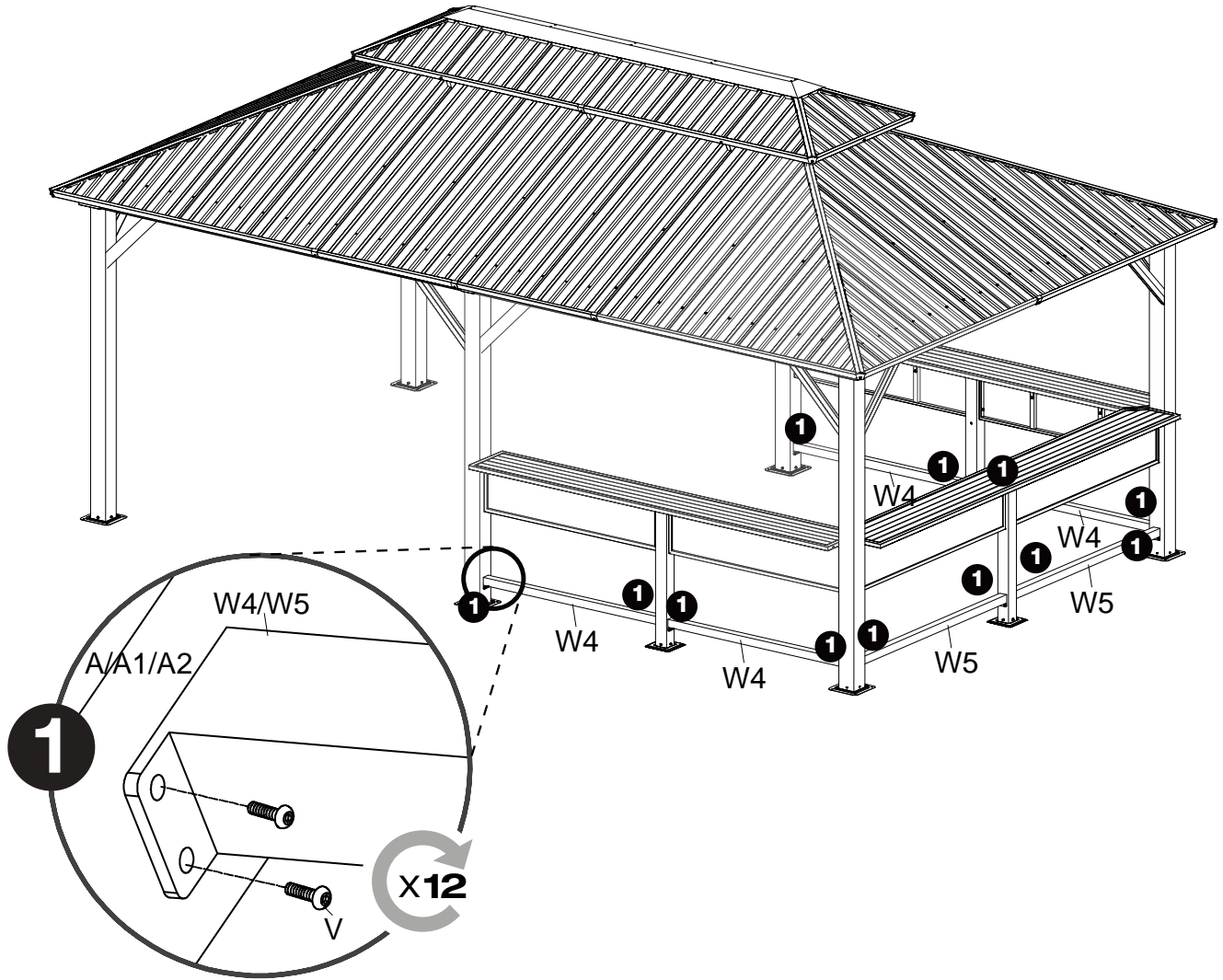
Sx16



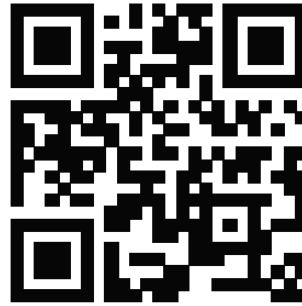


- | | | | | |
|-------|-------|-------|------|------|
| | | | | |
| Pt1x1 | Pt3x1 | Q3 x2 | V3x6 | Vx22 |
| | | | | |
| Pt2x1 | A2x3 | M x3 | | |





Register • Enregistrer • Regístrate
온라인 등록 • Registrieren



ShelterLogic.com/product-registration

50NRTH GmbH
Straßburgstraße 14-16
Germany 54516 Wittlich
phone +49 (0) 6571 / 95 117- 0
Fax +49 (0) 6571 / 95 117- 98
[www. 50NRTH.com](http://www.50NRTH.com)
info@50NRTH.com



SOJAG ■ |