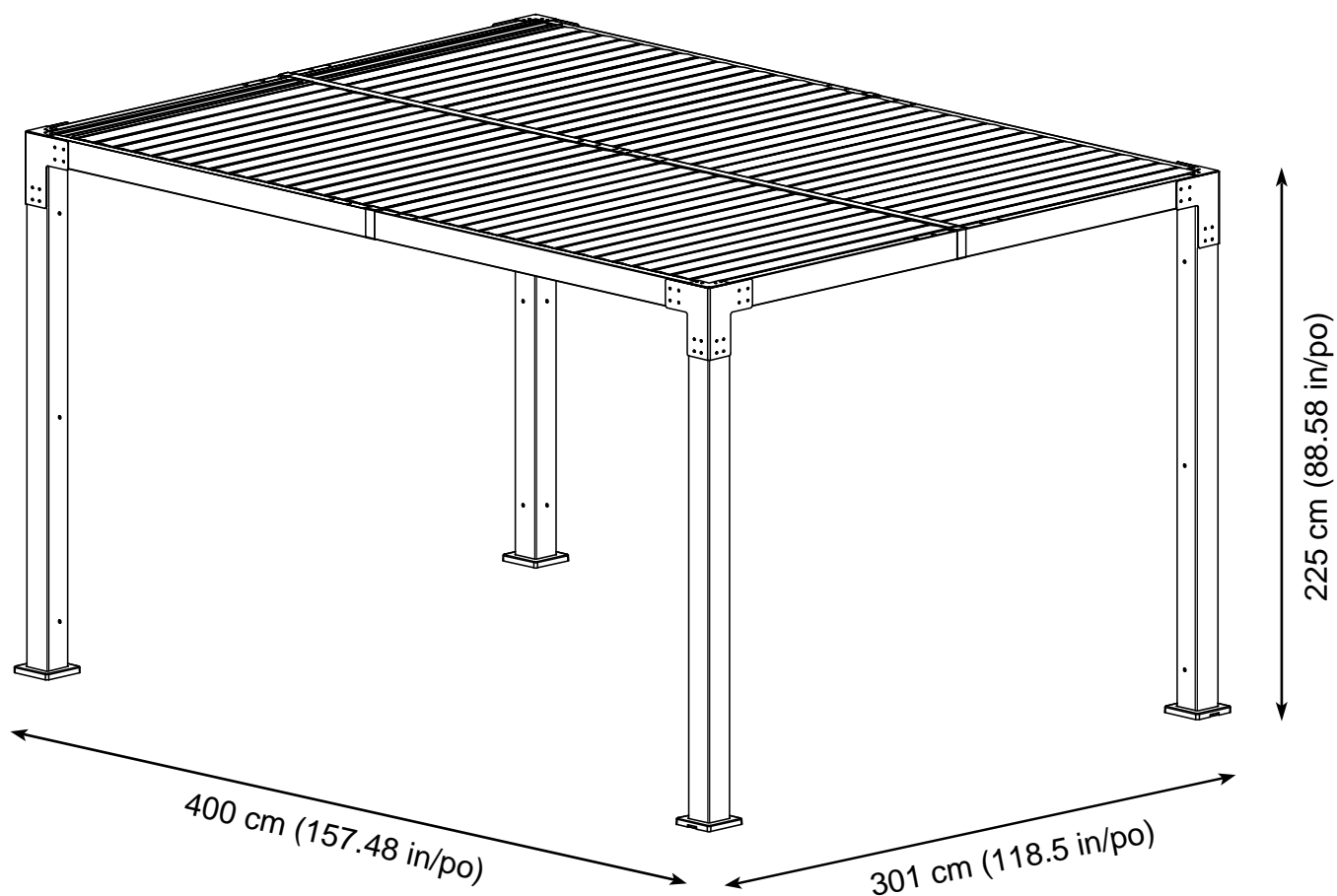
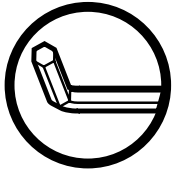


# SOJAG

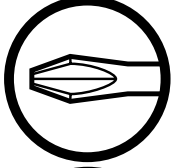
QUESTIONS? +49 (0) 6571 / 95117-0

## Assembly Manual / Guide d'assemblage / Manual de ensamblaje / 조립설명서 / Montageanleitung





Use the hex keys in the box. / Utilisez les clés hexagonales fournies dans la boîte. / Utilice las llaves hexagonales en la caja. / 상자에 육각 키를 사용 하십시오. / Använd medföljande sexkantsnyckel.



Please use a Phillips screwdriver. / Utilisez un tournevis de type Phillips / Por favor, use un destornillador Phillips. / 십자 드라이버를 사용 하십시오. / Använd Phillips skruvmejsel.



You may need to use a drill for this step. / Vous pouvez avoir besoin d'utiliser une perceuse pour cette étape. / Puede que tenga que utilizar un taladro para este paso. / 이 단계에선 드릴을 사용해야 할 수도 있습니다. / Borrmaskin kan behöva användas.



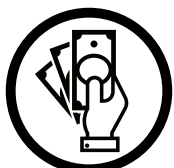
Wearing protective gloves is recommended. / Le port de gants de protection est recommandé / El uso de guantes de protección se recomienda. / 보호 장갑을 착용 하는 것이 좋습니다. / Använd skyddshandskar.



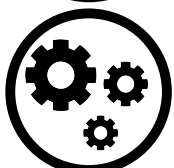
Two or more people are required at this stage. / Deux personnes ou plus sont nécessaires à cette étape. / Dos o más personas se requieren en esta etapa. / 이 단계에서는 두 명이상이 필요합니다. / Två eller fler personer behövs i detta steg.



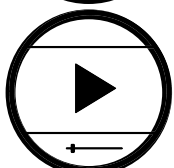
Do not tighten screws all the way for now. / Ne pas visser fermement pour l'instant. / No atornille con firmeza por ahora. / 아직 나사를 단단히 조이지 마십시오. / Dra inte skruvar helt än.



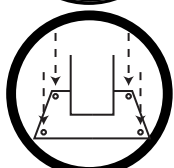
Sold separately. / Vendus séparément. / vendido en las opciones. / 옵션 판매 / Säljs separat.



Optional step / Étape optionnelle / Paso opcional / 선택적 단계 / Valfritt steg.



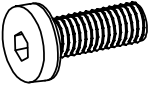
Assembly video link / Lien vidéo d'installation / enlace de video de ensamblaje / 조립비디오 링크 / Länk till monteringsvideo.  
<https://www.shelterlogic.com/sojag/videos>



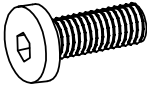
The gazebo must be anchored (hardware not included) / Le gazébo doit être ancré (quincaillerie non incluse) / El gazebo debe estar anclado (herramientas no incluidas) / 가제보를 반드시 바닥에 고정 시키세요. (고정 나사 부품 미포함) / Paviljongen måste förankras i marken (ingår inte).



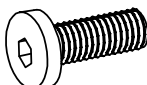
**S** X 104 (+10)

A standard hex-head screw with a flat top surface and a threaded shank.

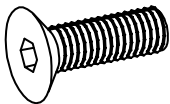
**S1** X 56 (+5)

A standard hex-head screw with a flat top surface and a threaded shank, similar to S but shorter.

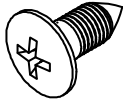
**S2** X 64 (+5)

A standard hex-head screw with a flat top surface and a threaded shank, similar to S but shorter.

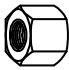
**T** X 20 (+2)

A screw with a wide, flat top surface and a threaded shank.

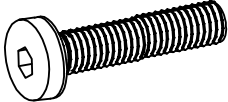
**U** X 4 (+1)

A screw with a wide, flat top surface and a threaded shank, similar to T but shorter.

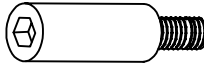
**V** X 8 (+2)

A hexagonal nut with a central hole.

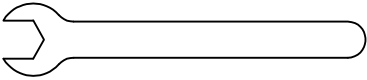
**X** X 4 (+1)

A screw with a wide, flat top surface and a threaded shank, similar to T but shorter.


**W** X 24 (+1)

A screw with a wide, flat top surface and a threaded shank, similar to T but shorter.


**W2** X 1

A standard open-end wrench with a long handle.


**Zb** X 1

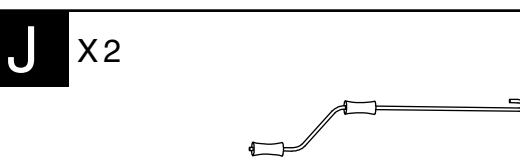
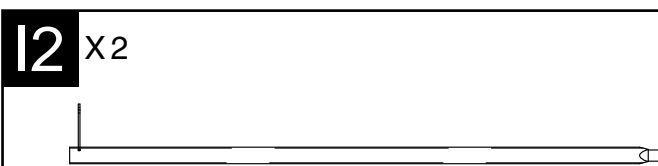
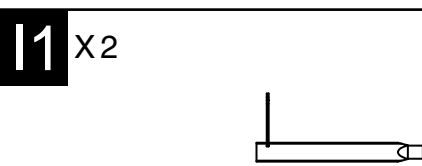
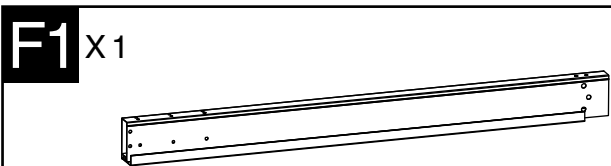
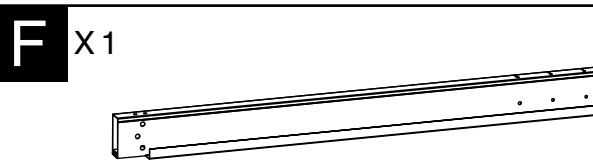
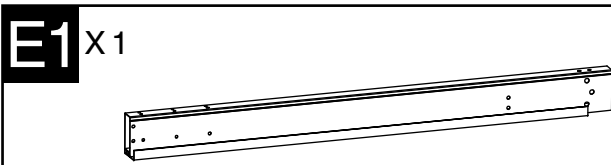
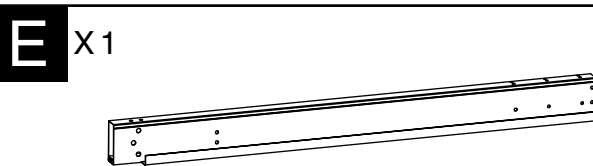
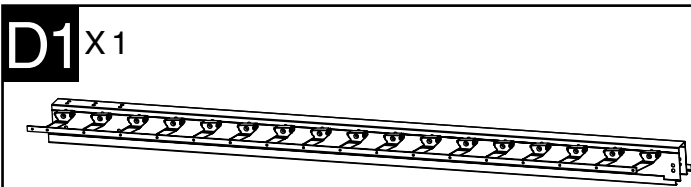
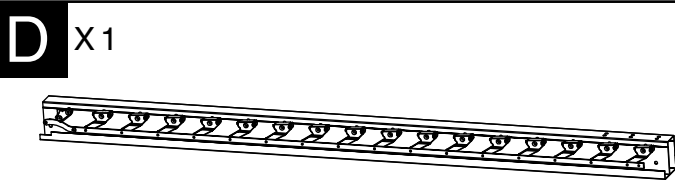
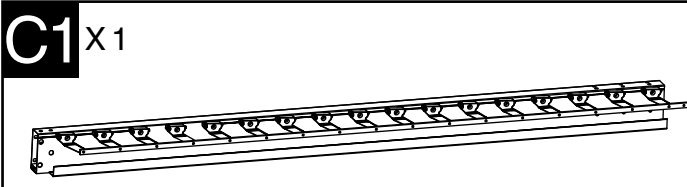
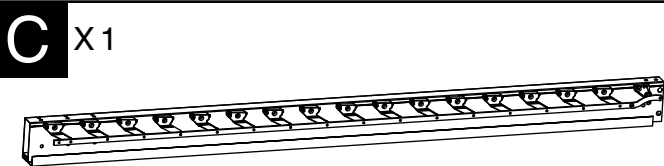
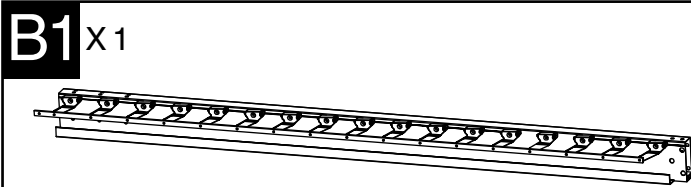
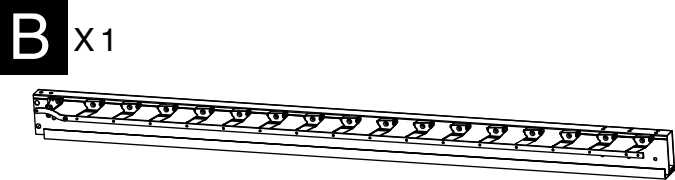
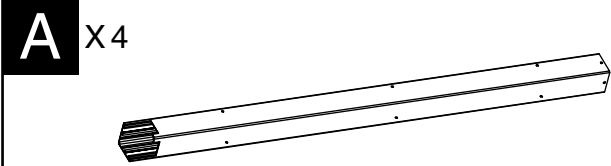
An L-shaped pin with a long horizontal end and a short vertical end.

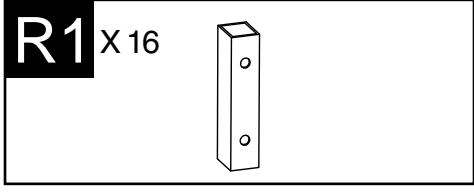
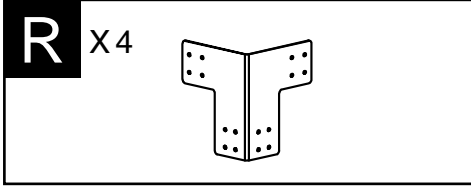
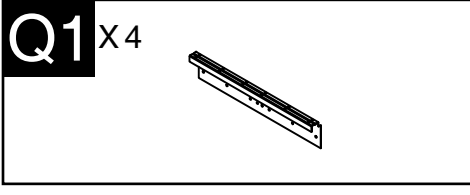
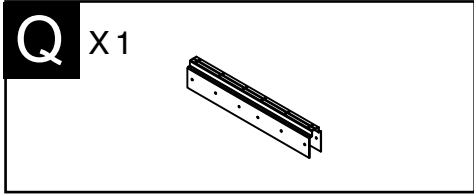
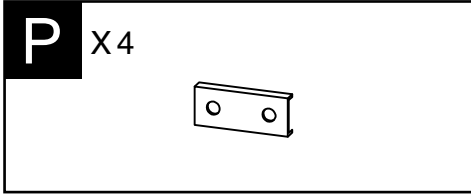
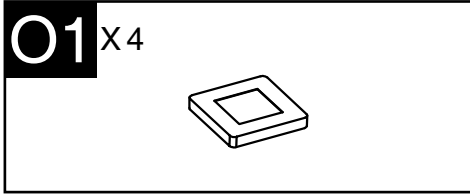
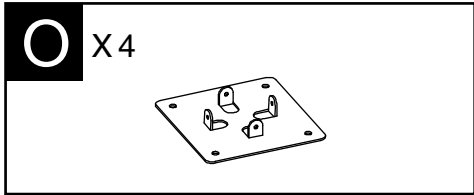
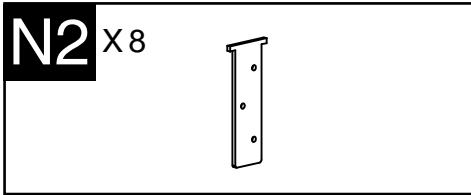
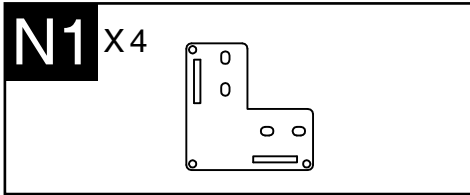
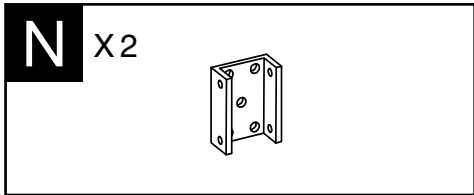
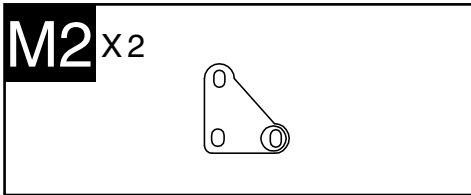
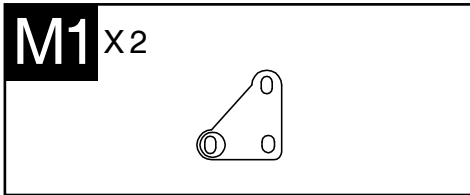
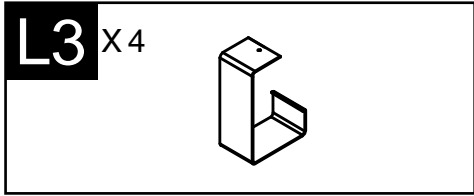
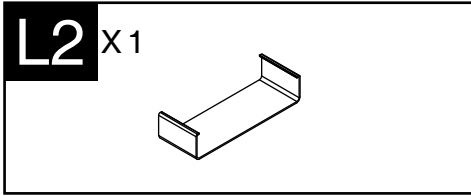
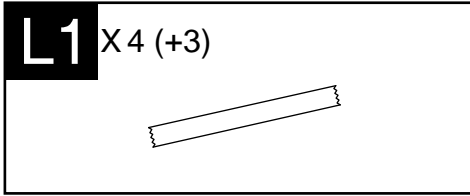
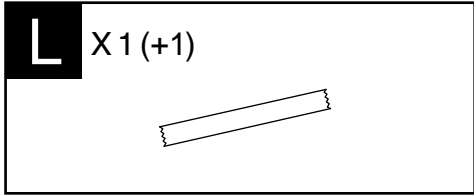
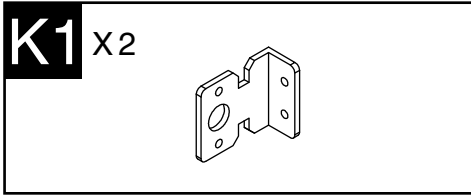
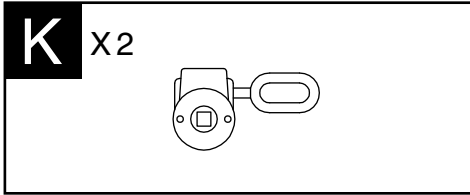
**Z** X 1

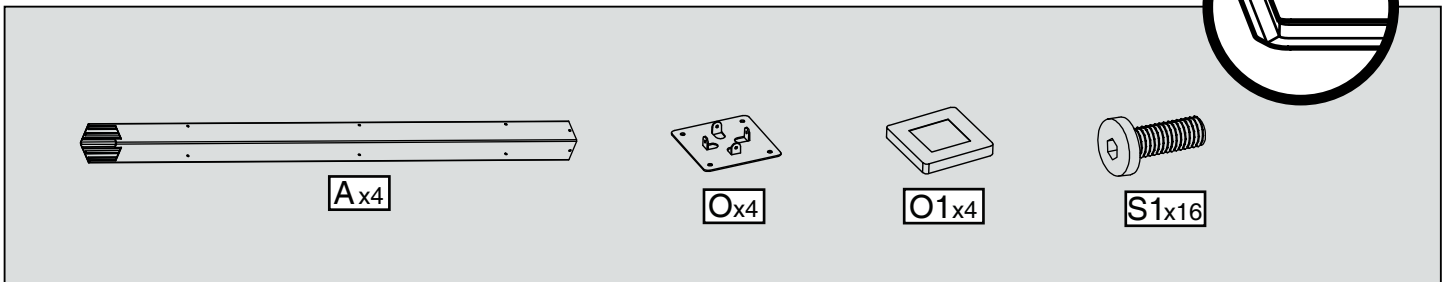
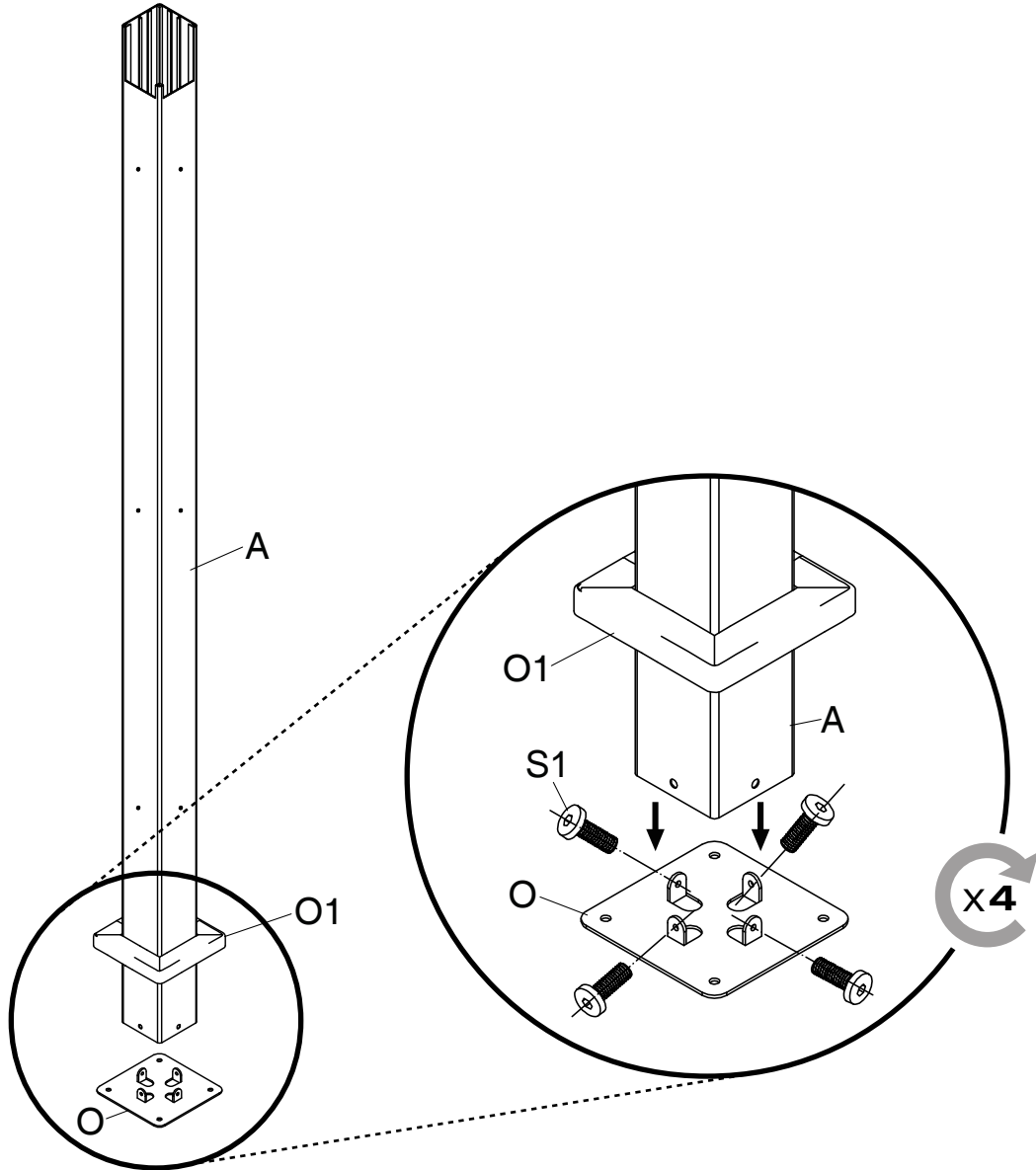
An L-shaped pin with a long horizontal end and a short vertical end, similar to Zb but with a different vertical end shape.

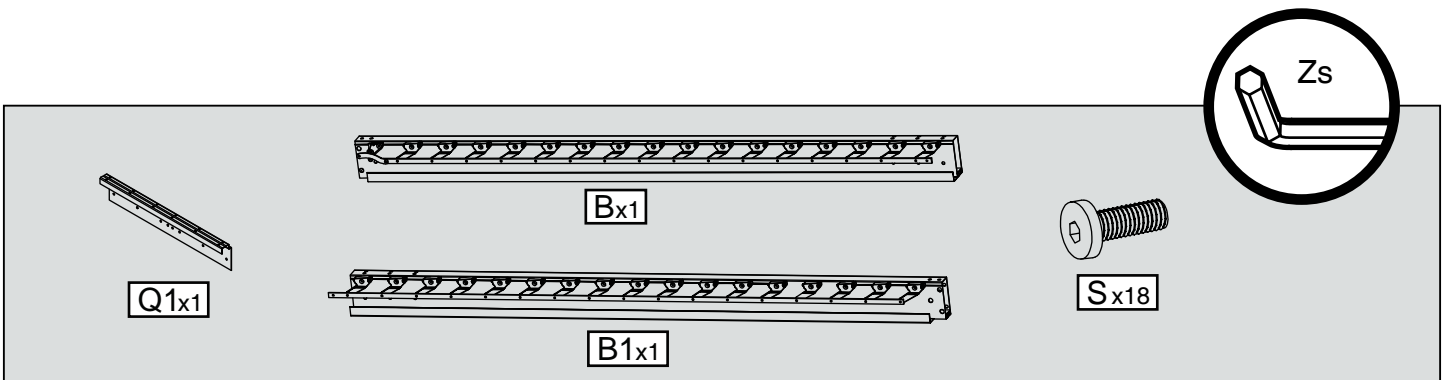
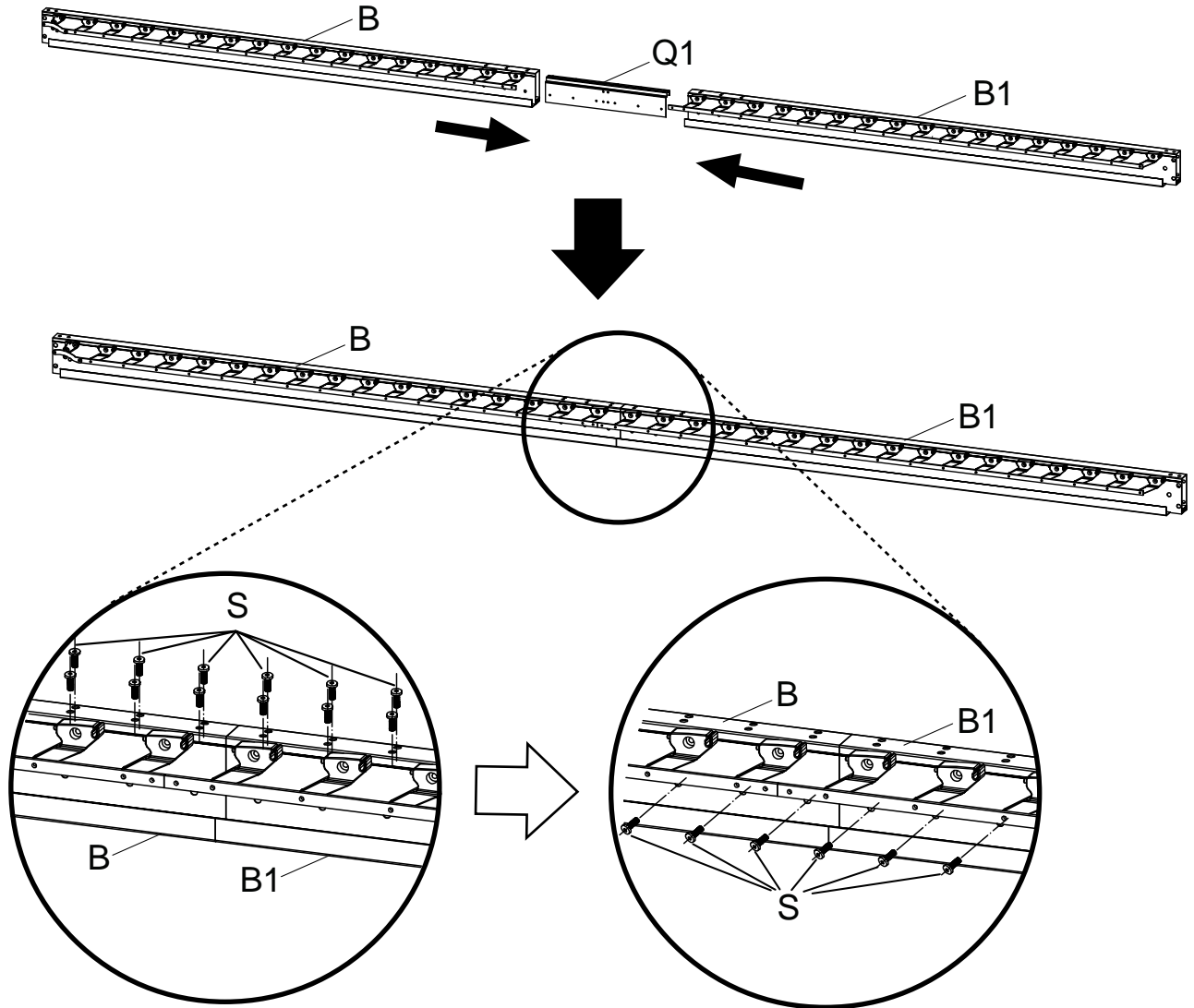
**Zs** X 1

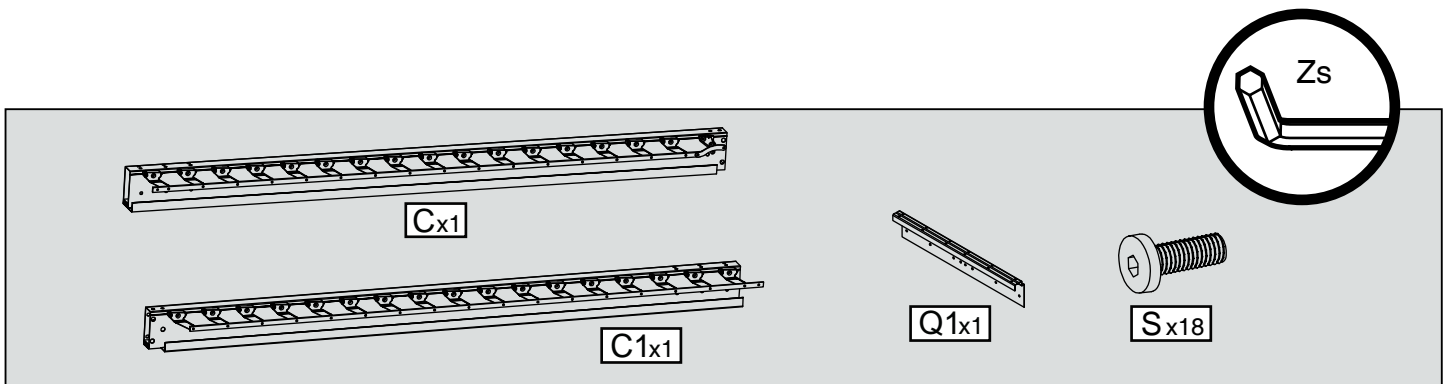
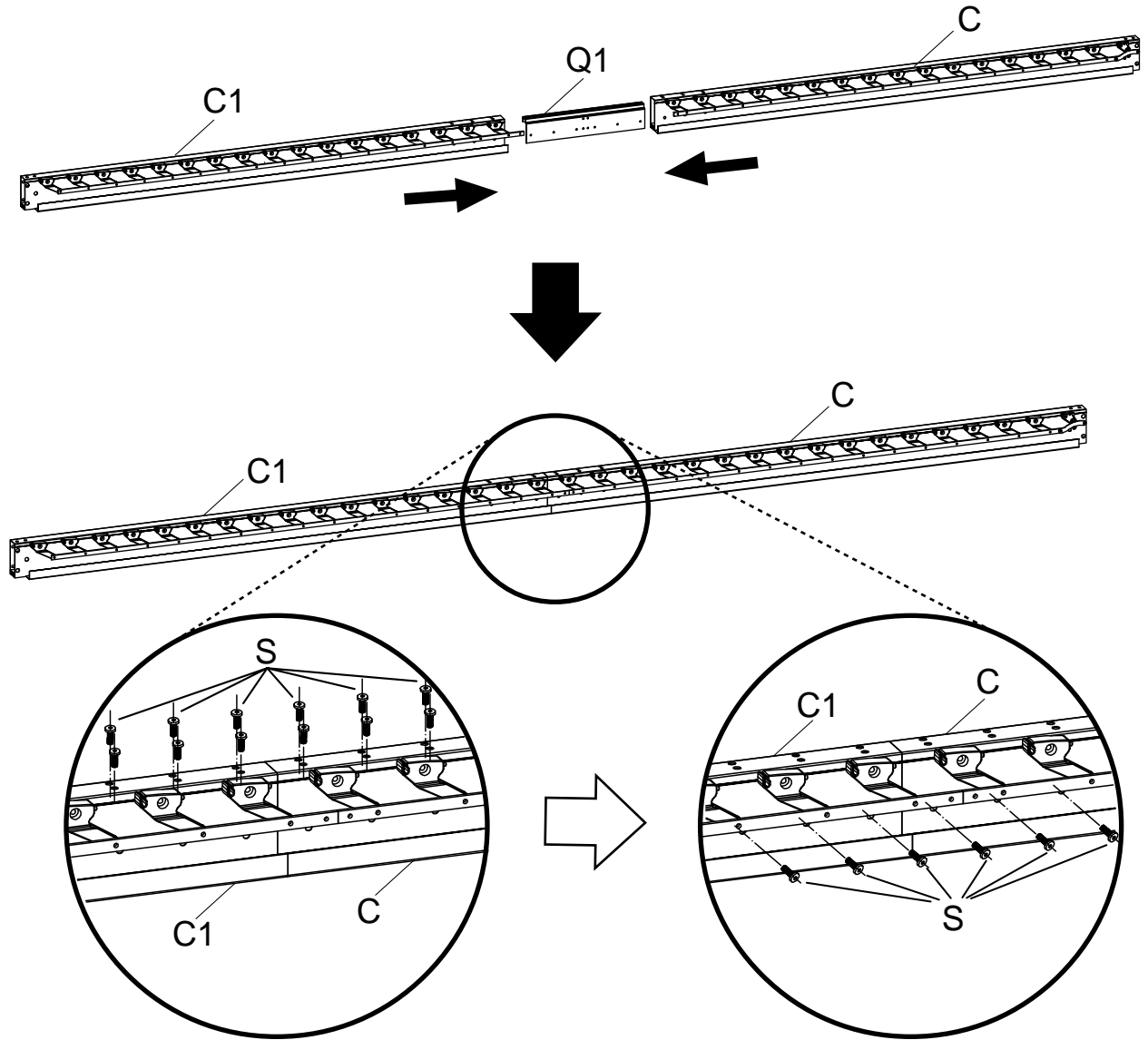
An L-shaped pin with a long horizontal end and a short vertical end, similar to Zb but with a different vertical end shape.

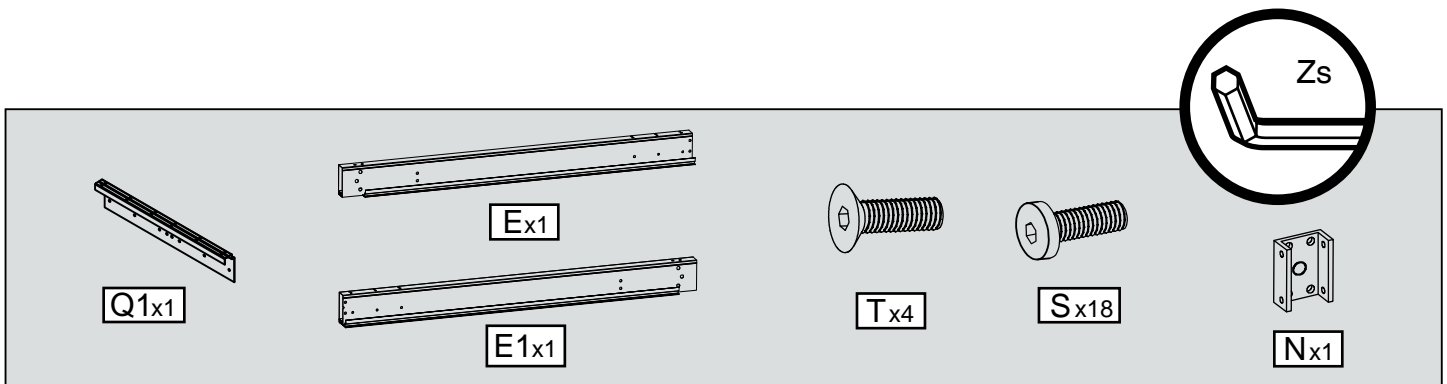
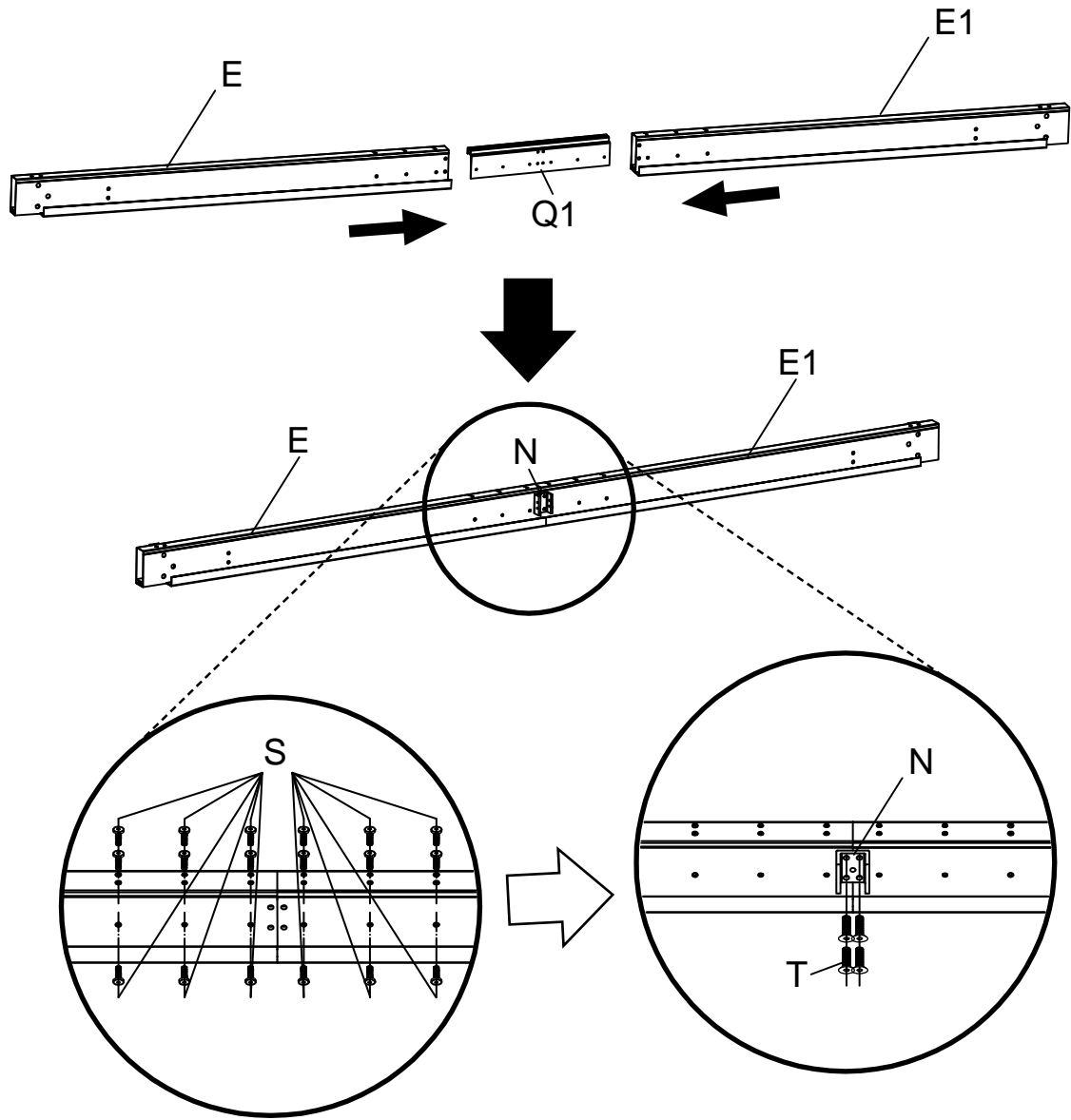


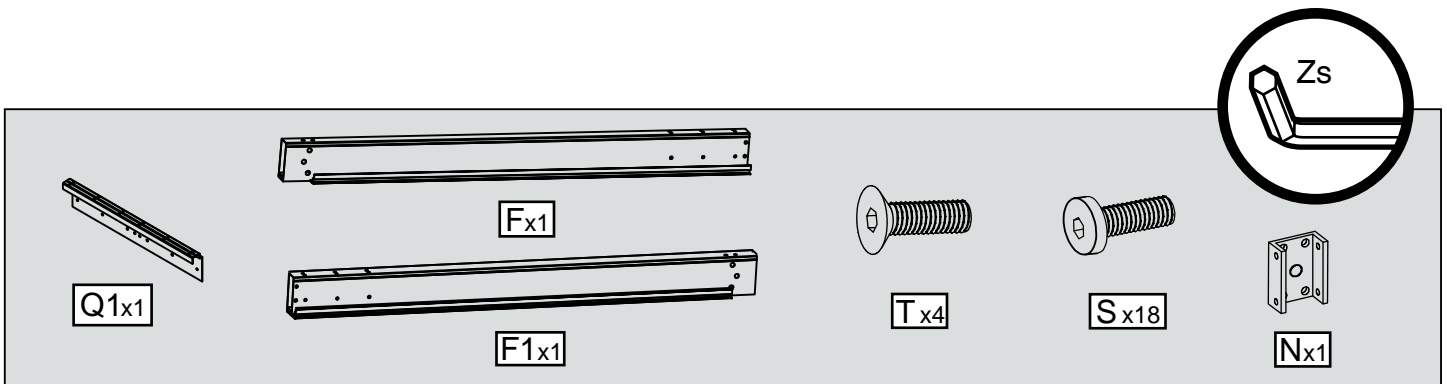
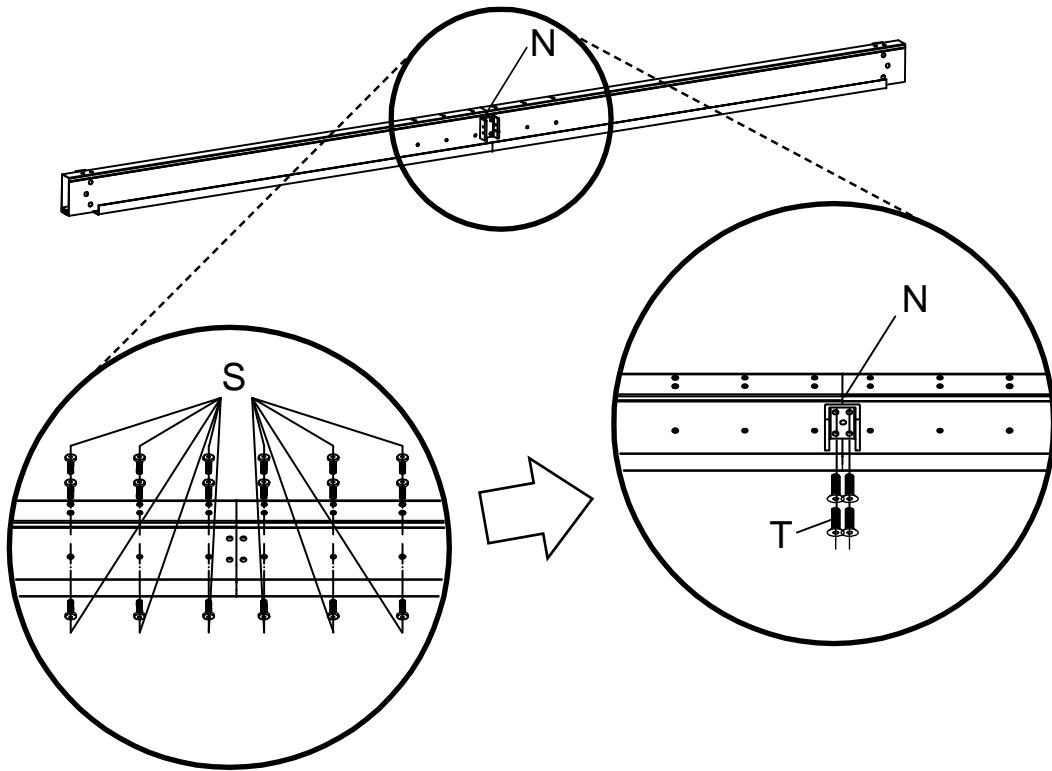
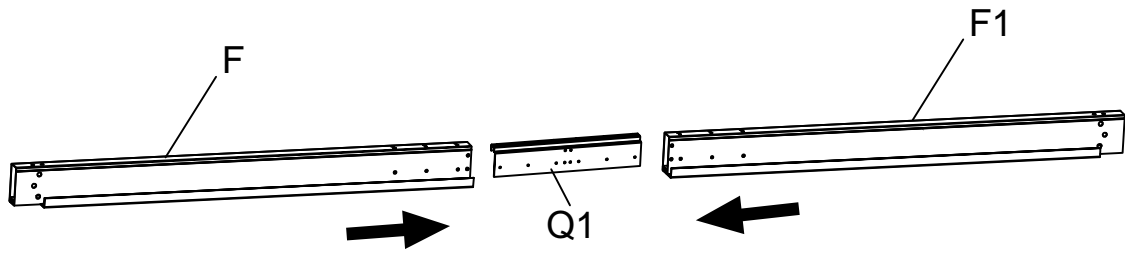


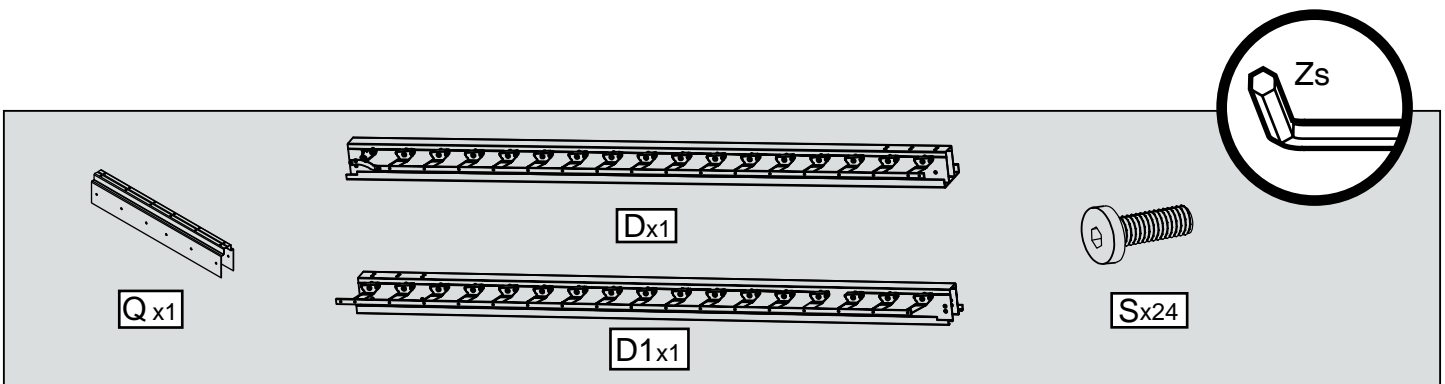
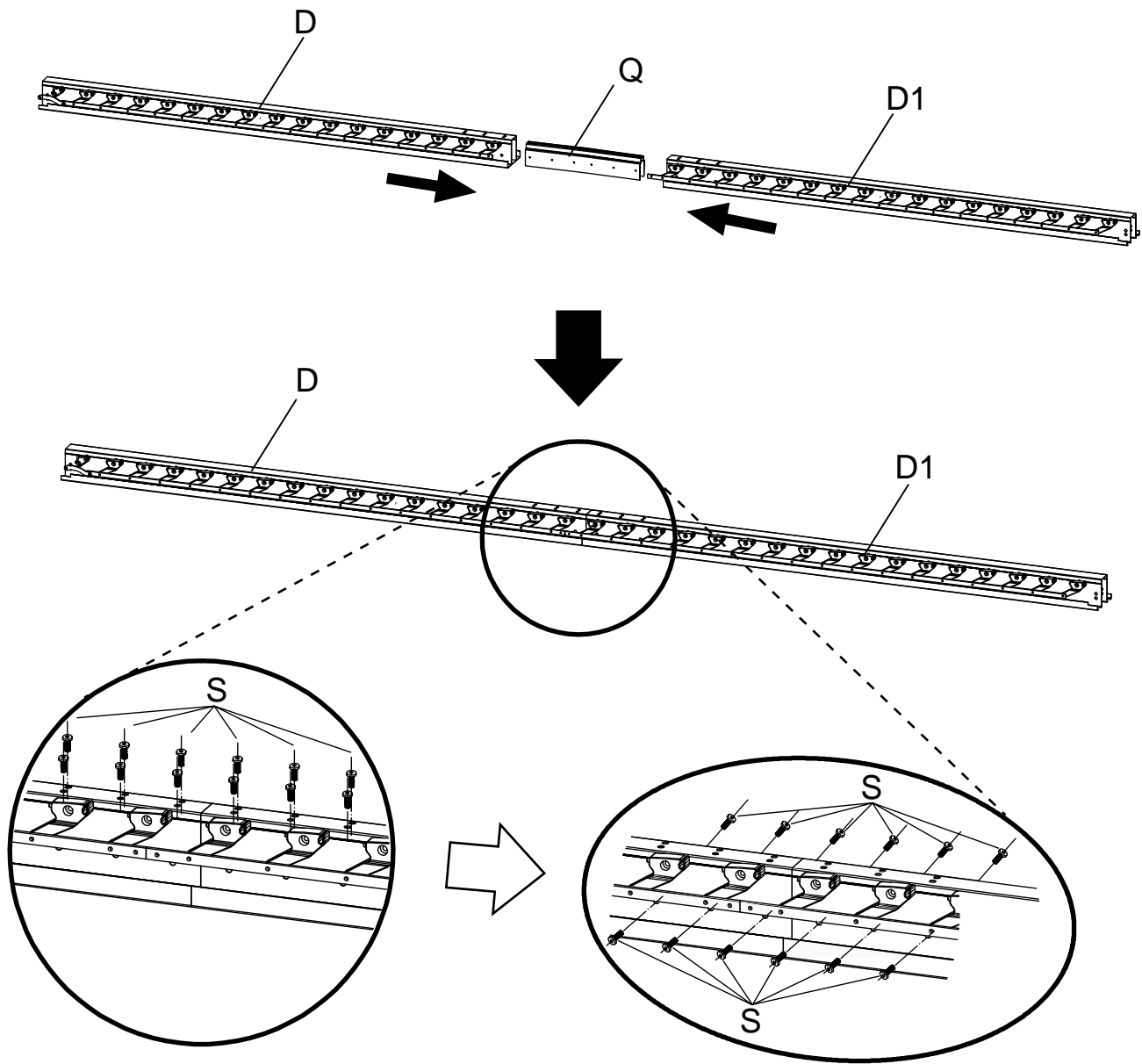


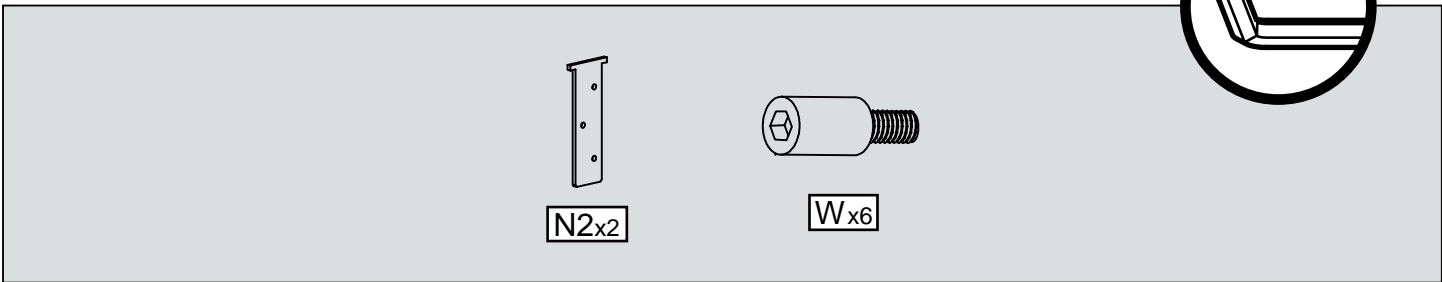
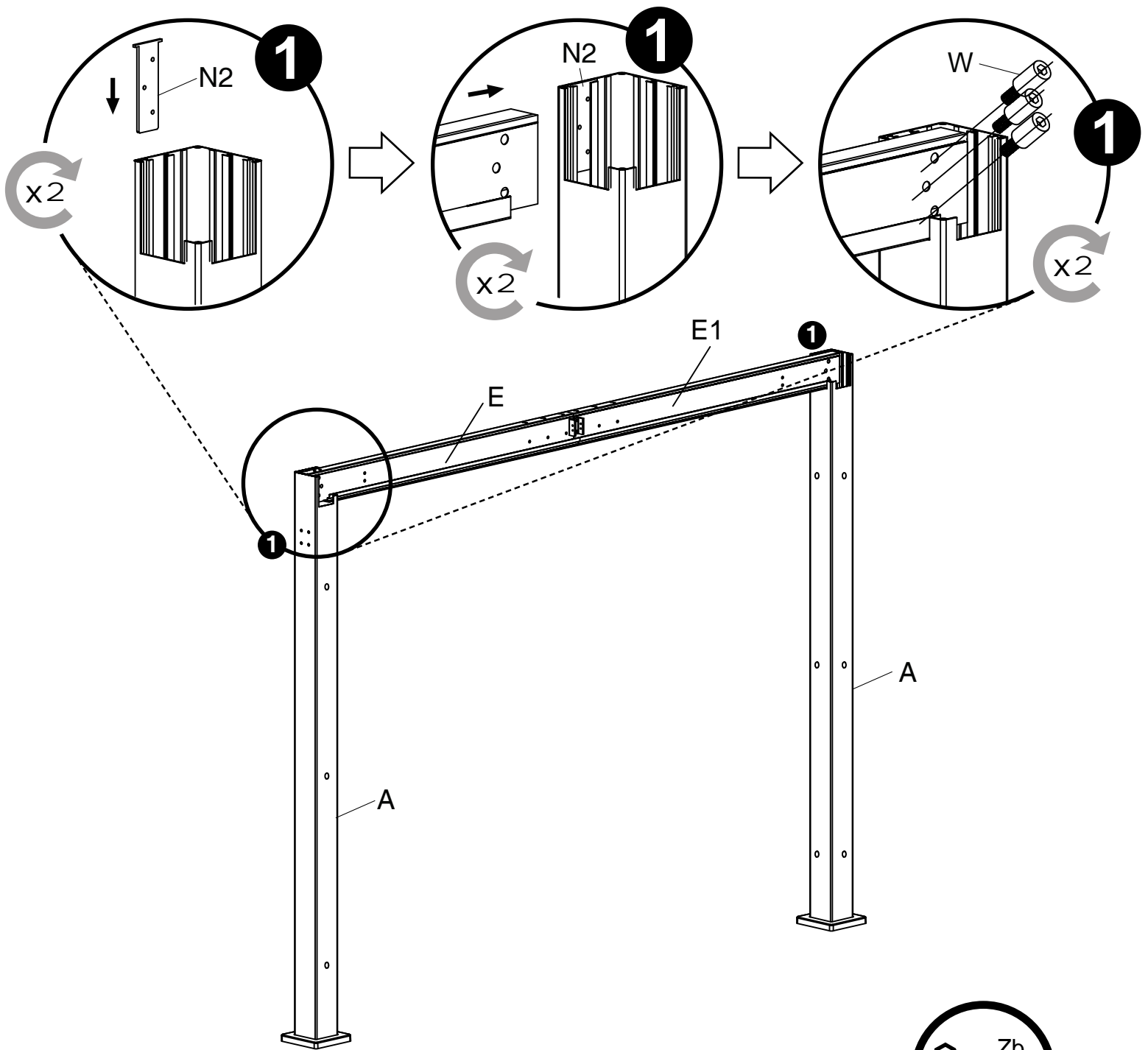


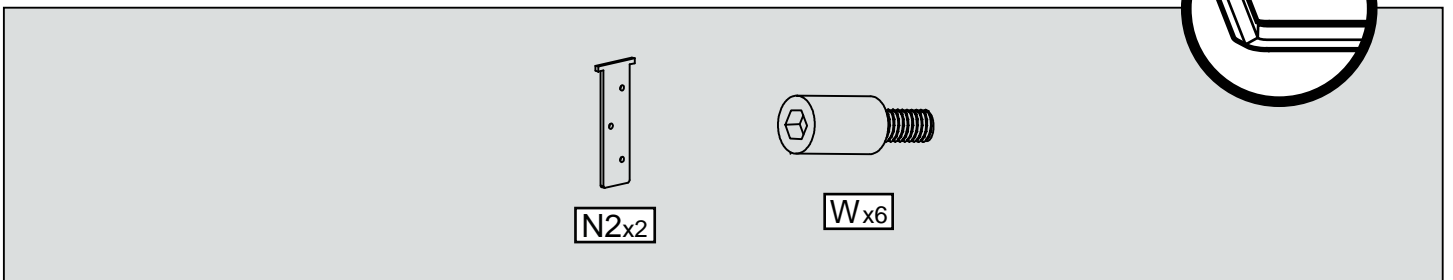
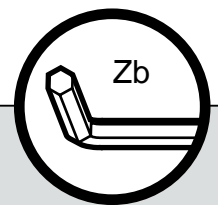
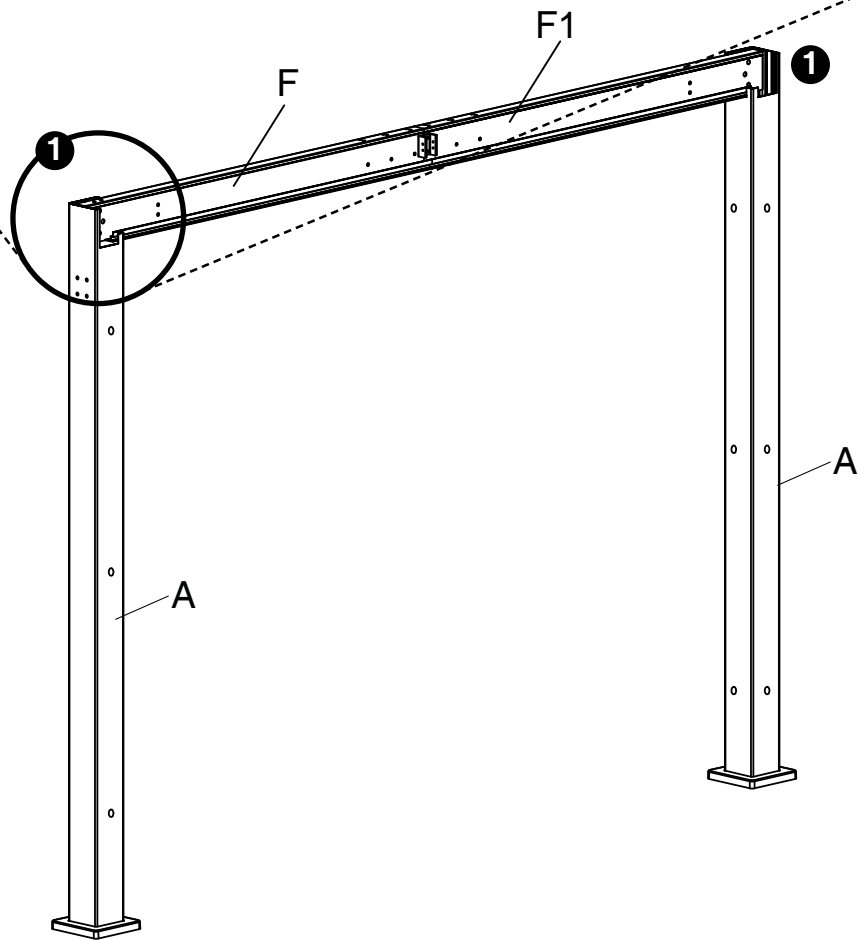
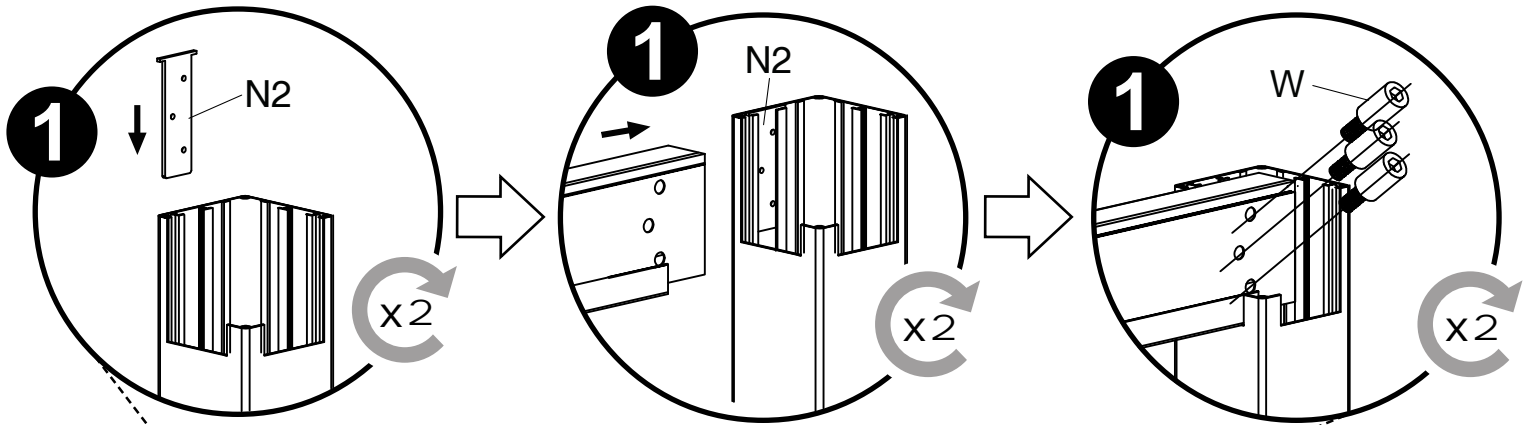


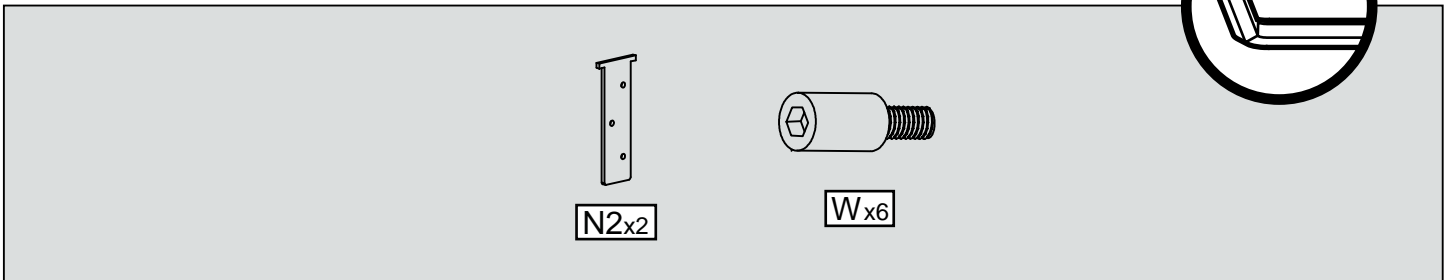
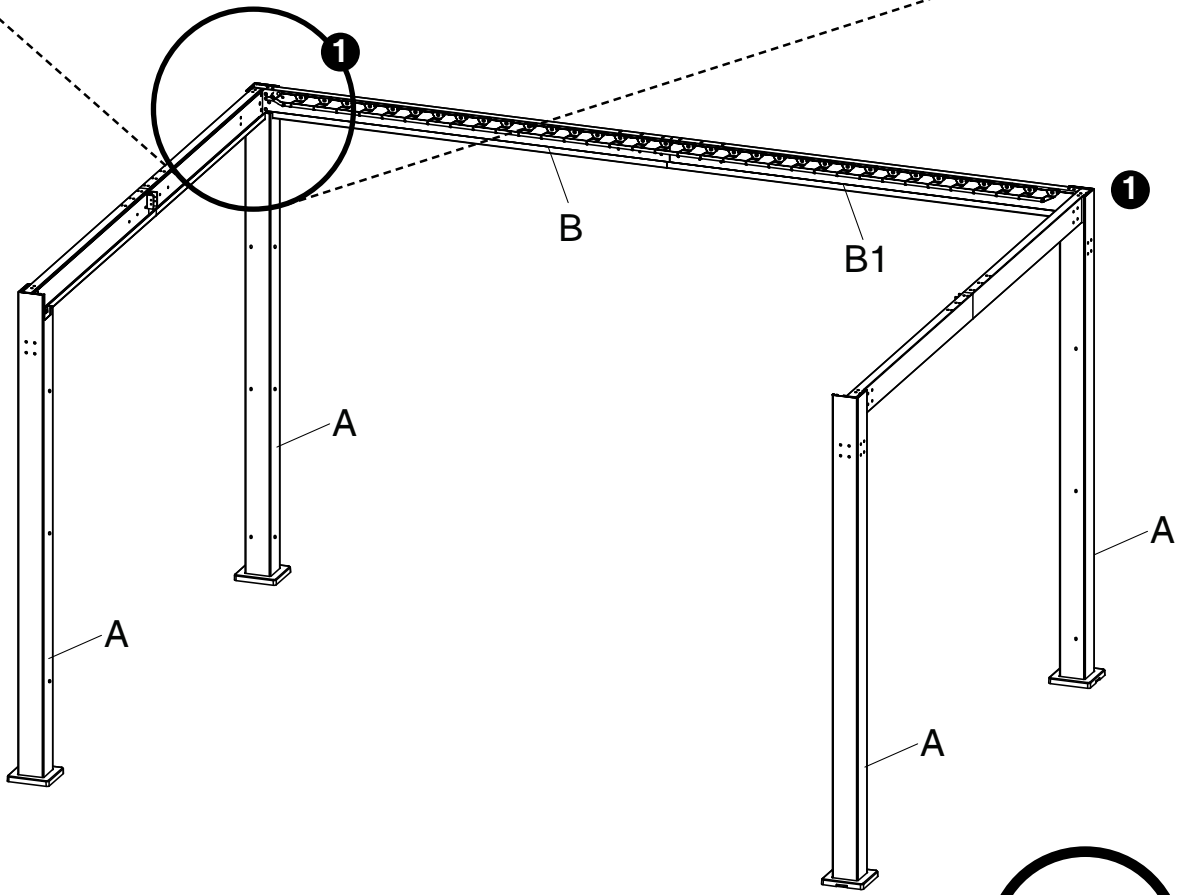
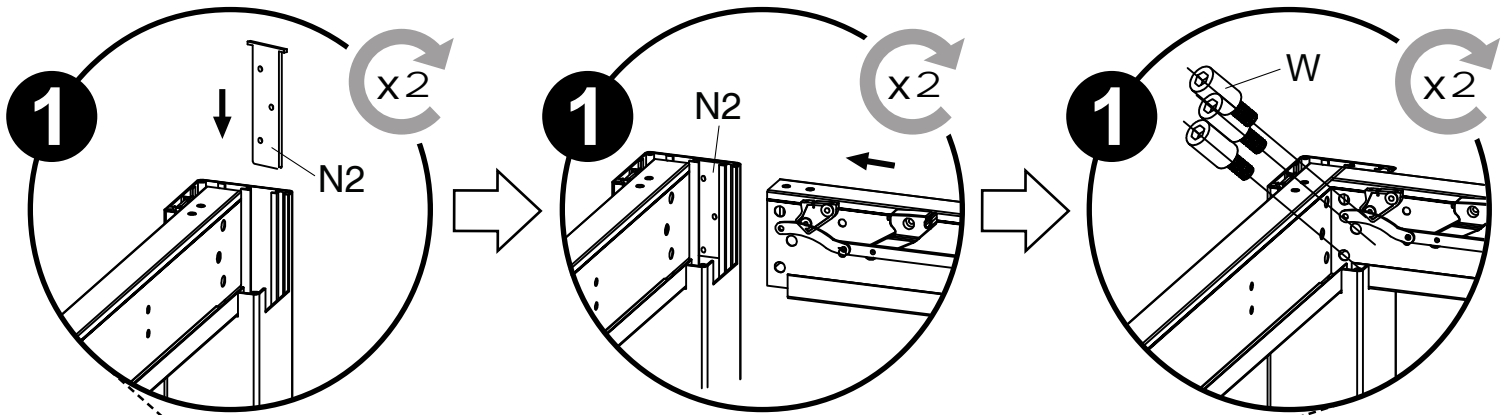


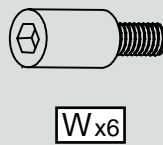
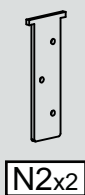
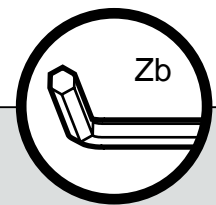
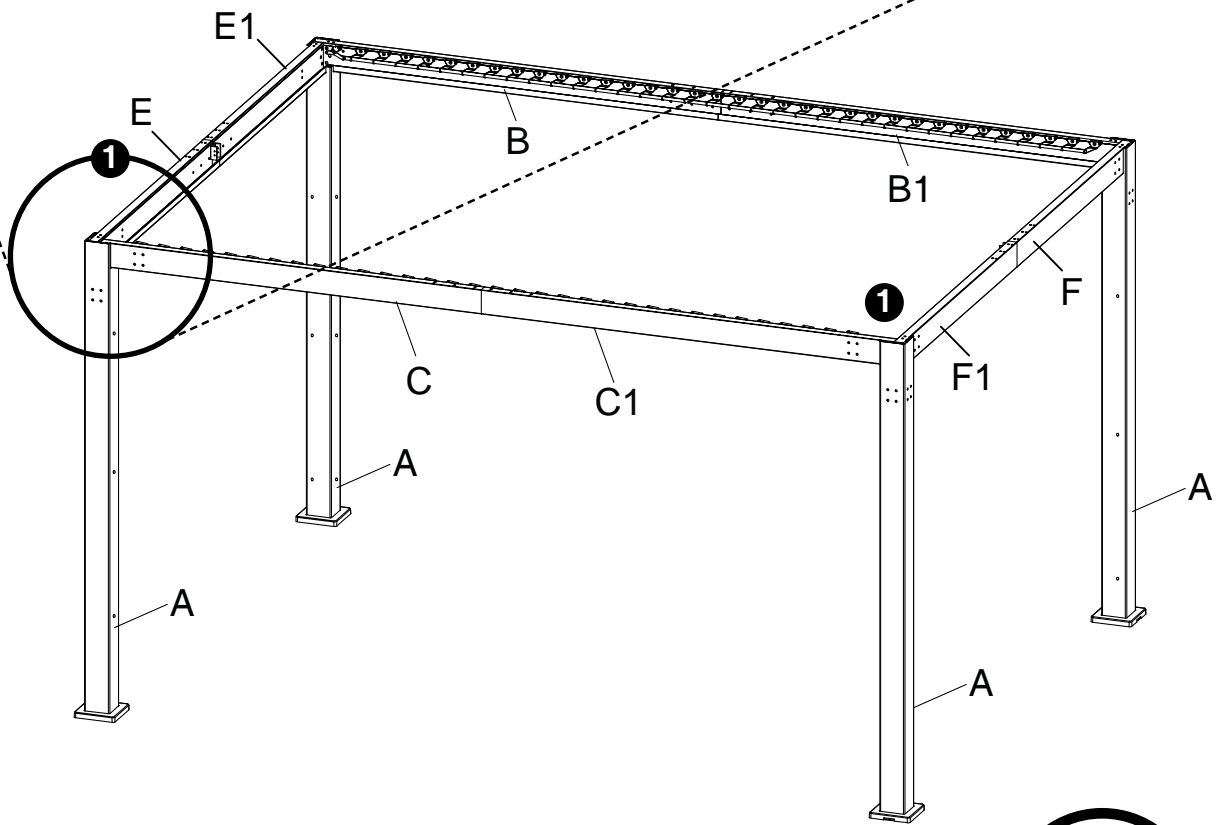
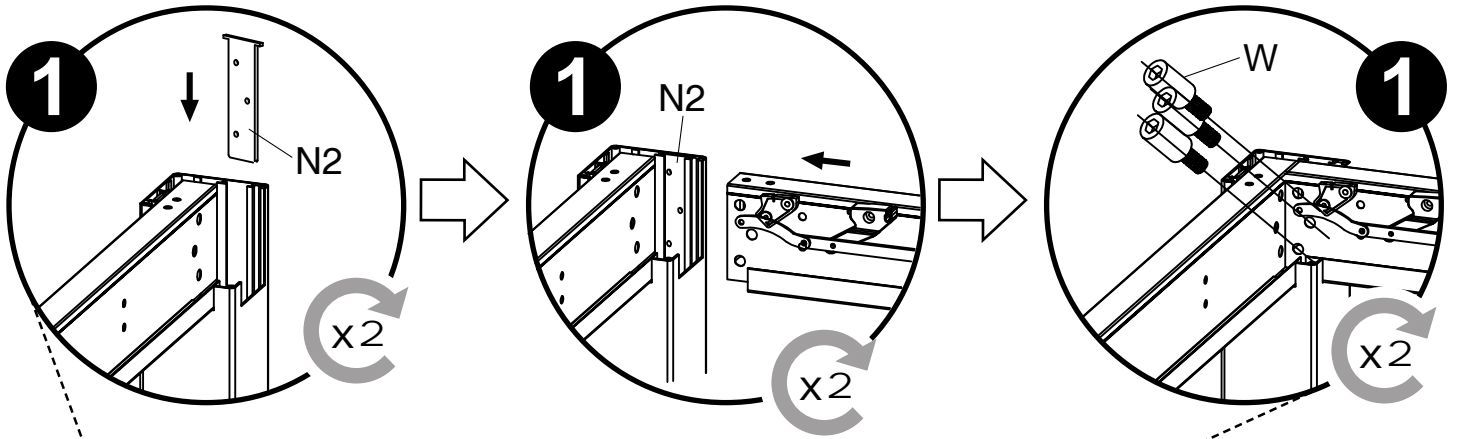


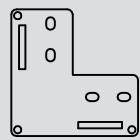
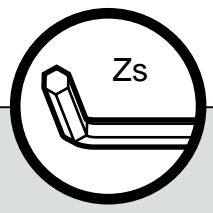
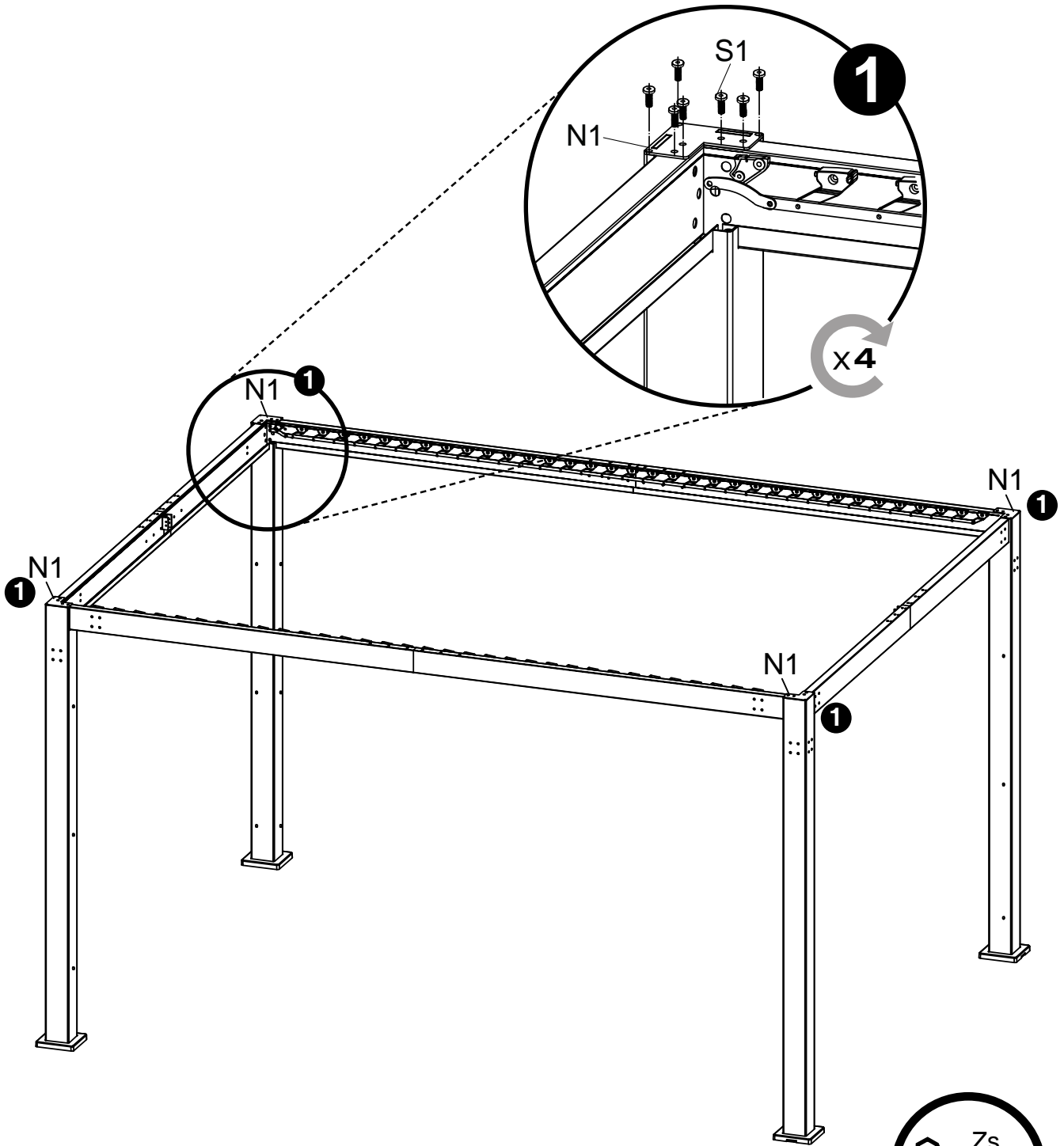




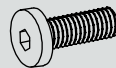




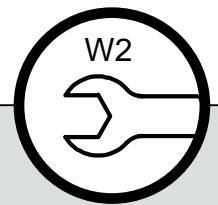
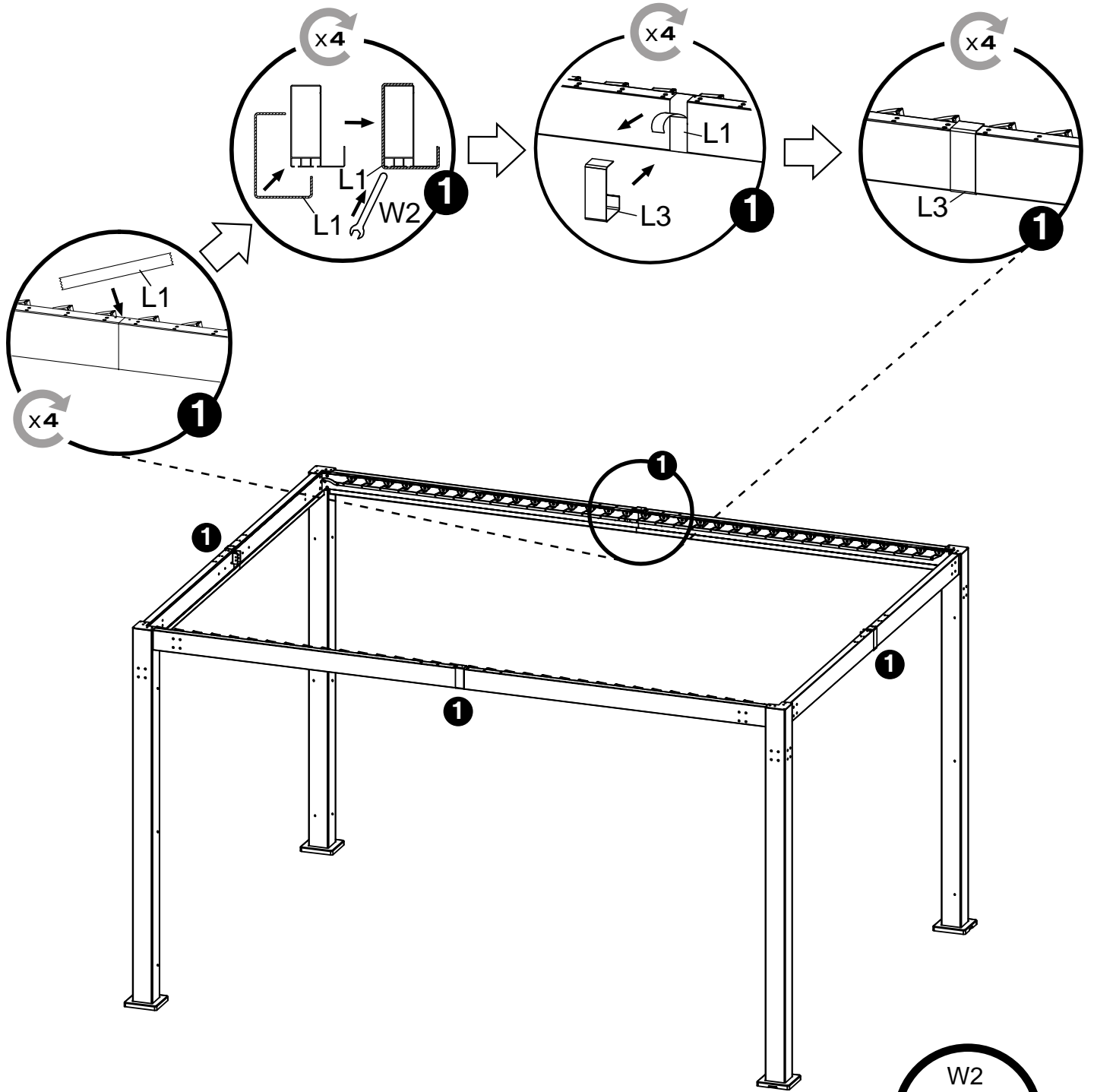




N1x4



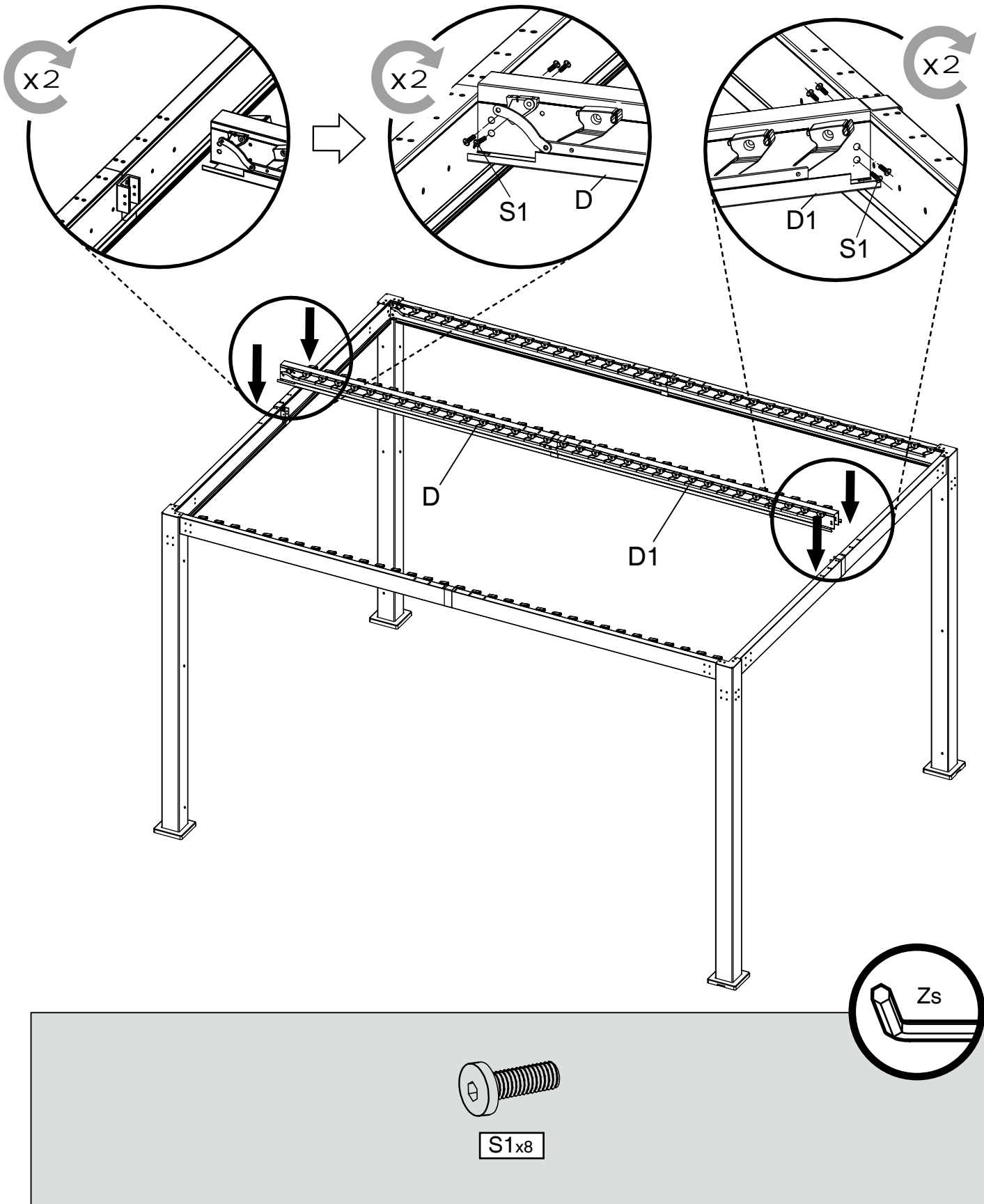
S1x28

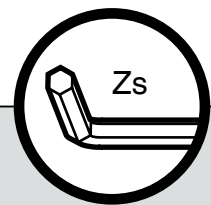
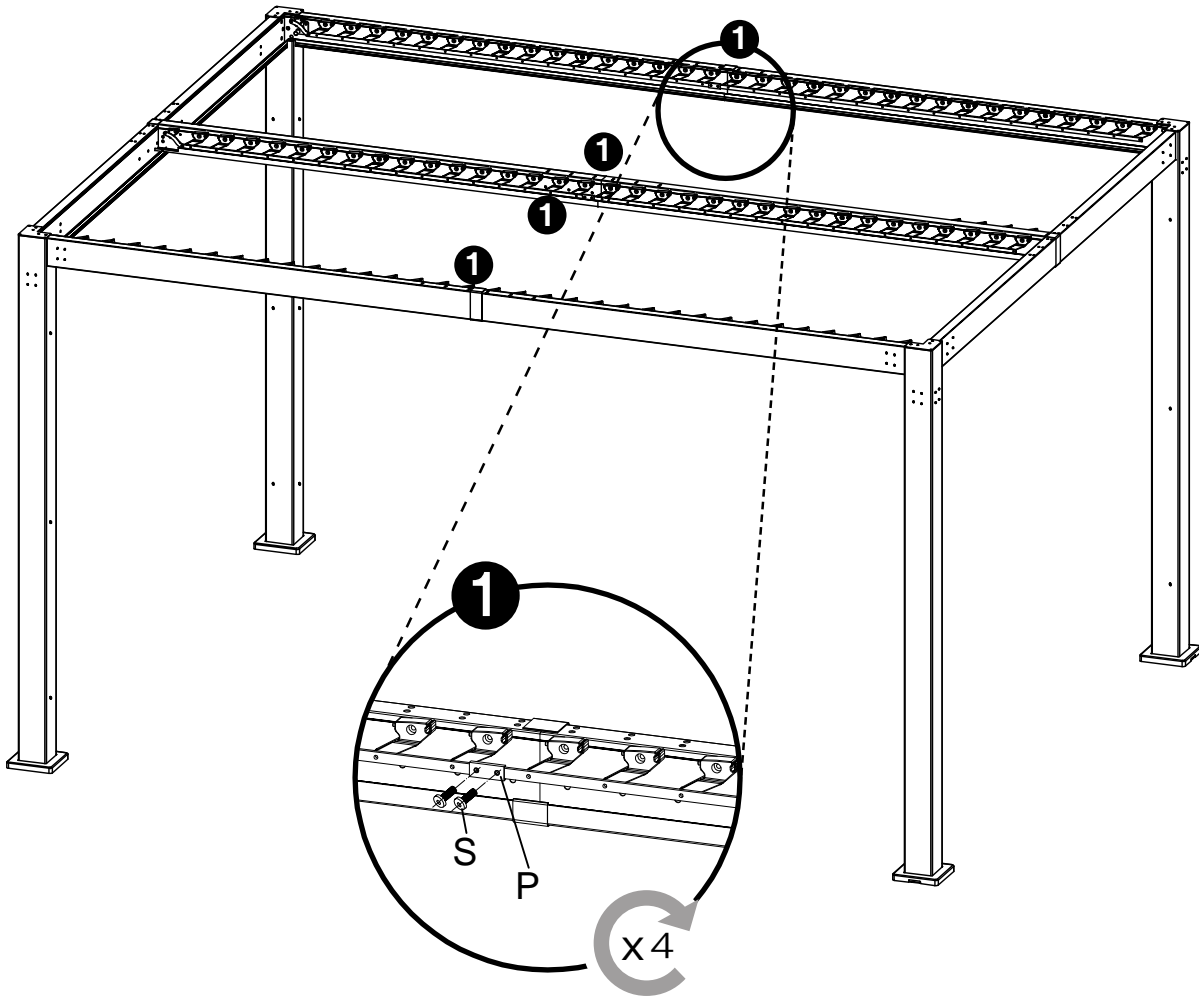


L1x4

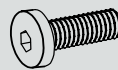


L3x4

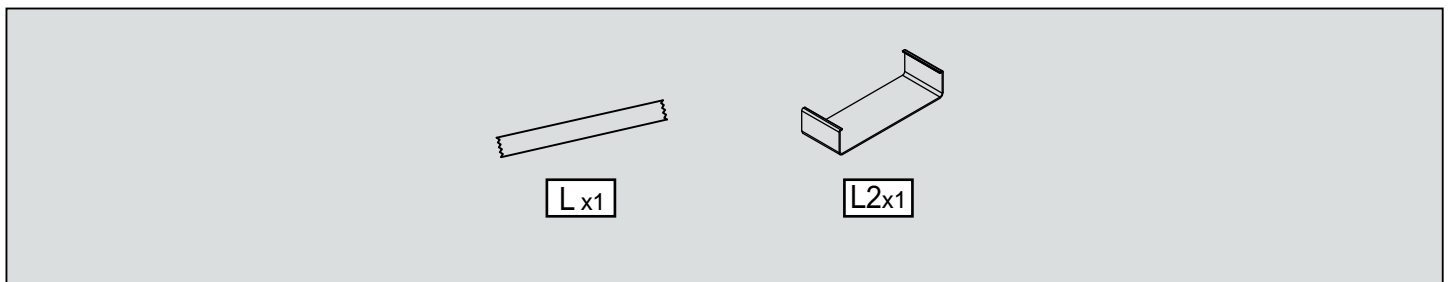
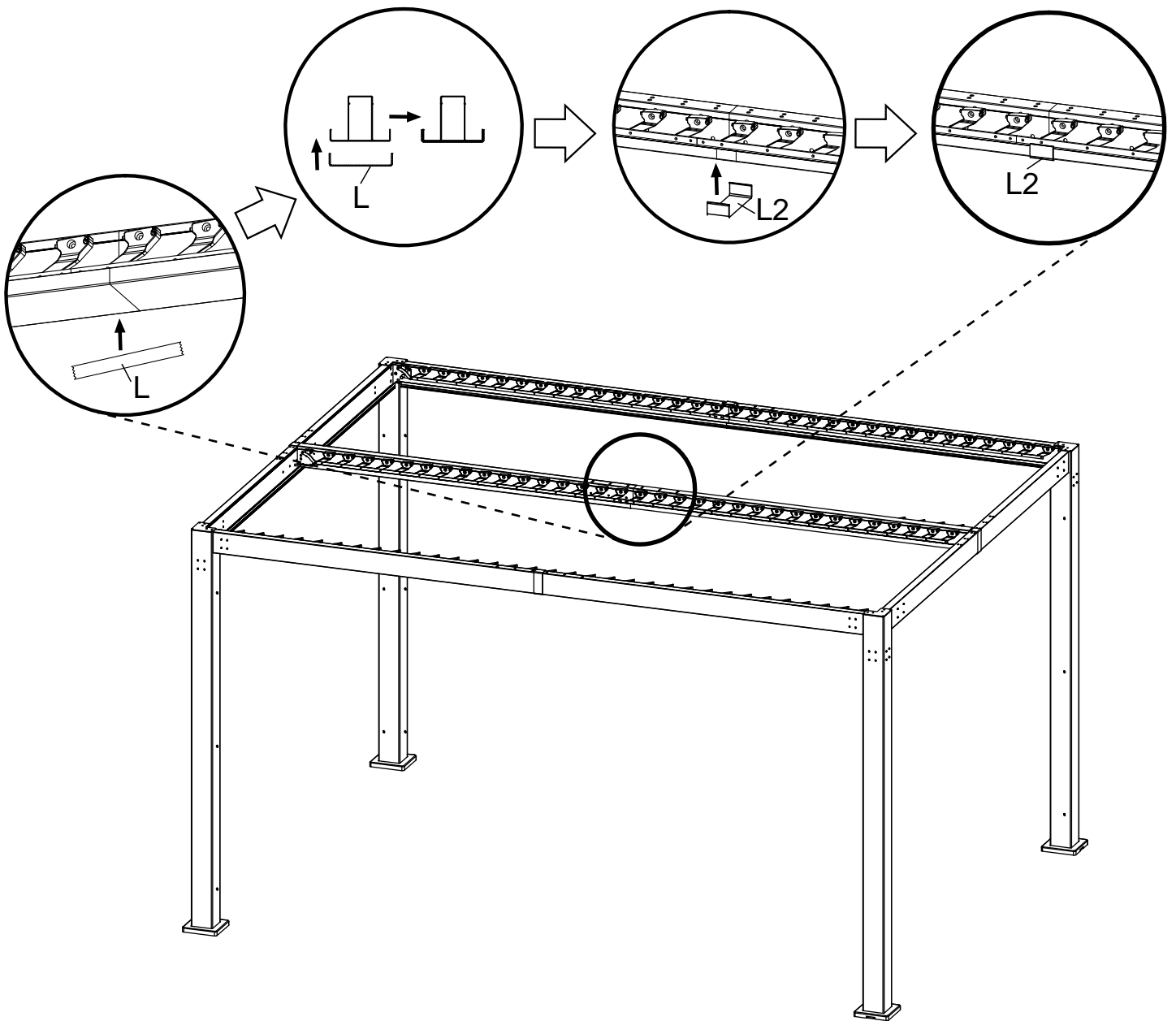


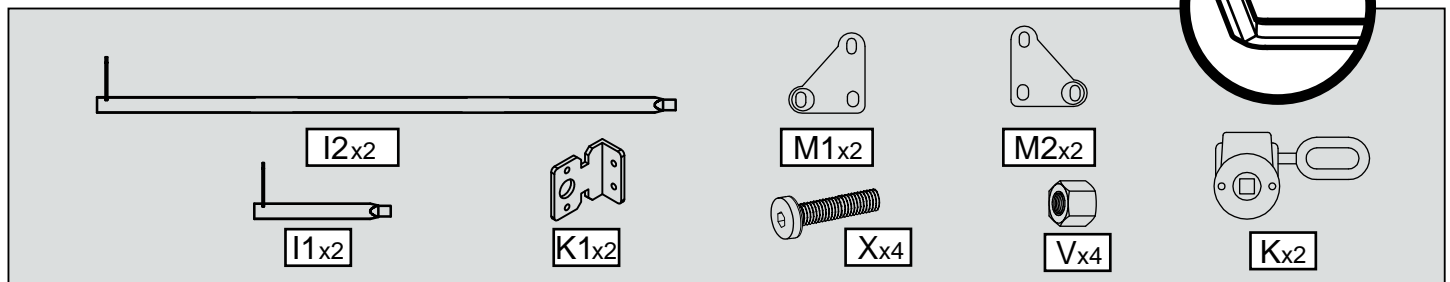
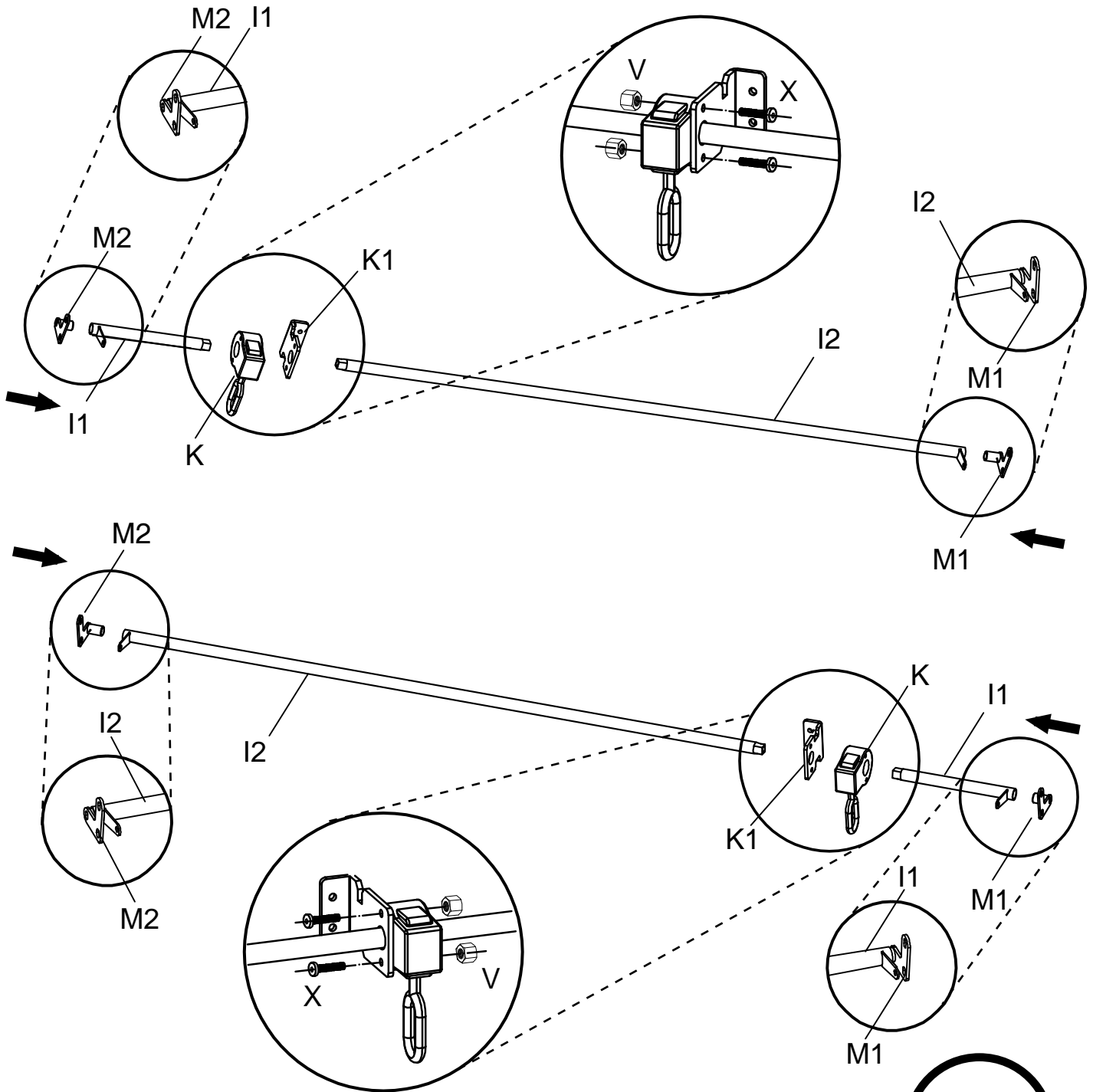


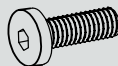
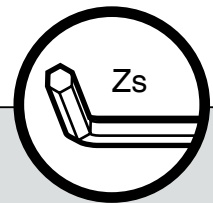
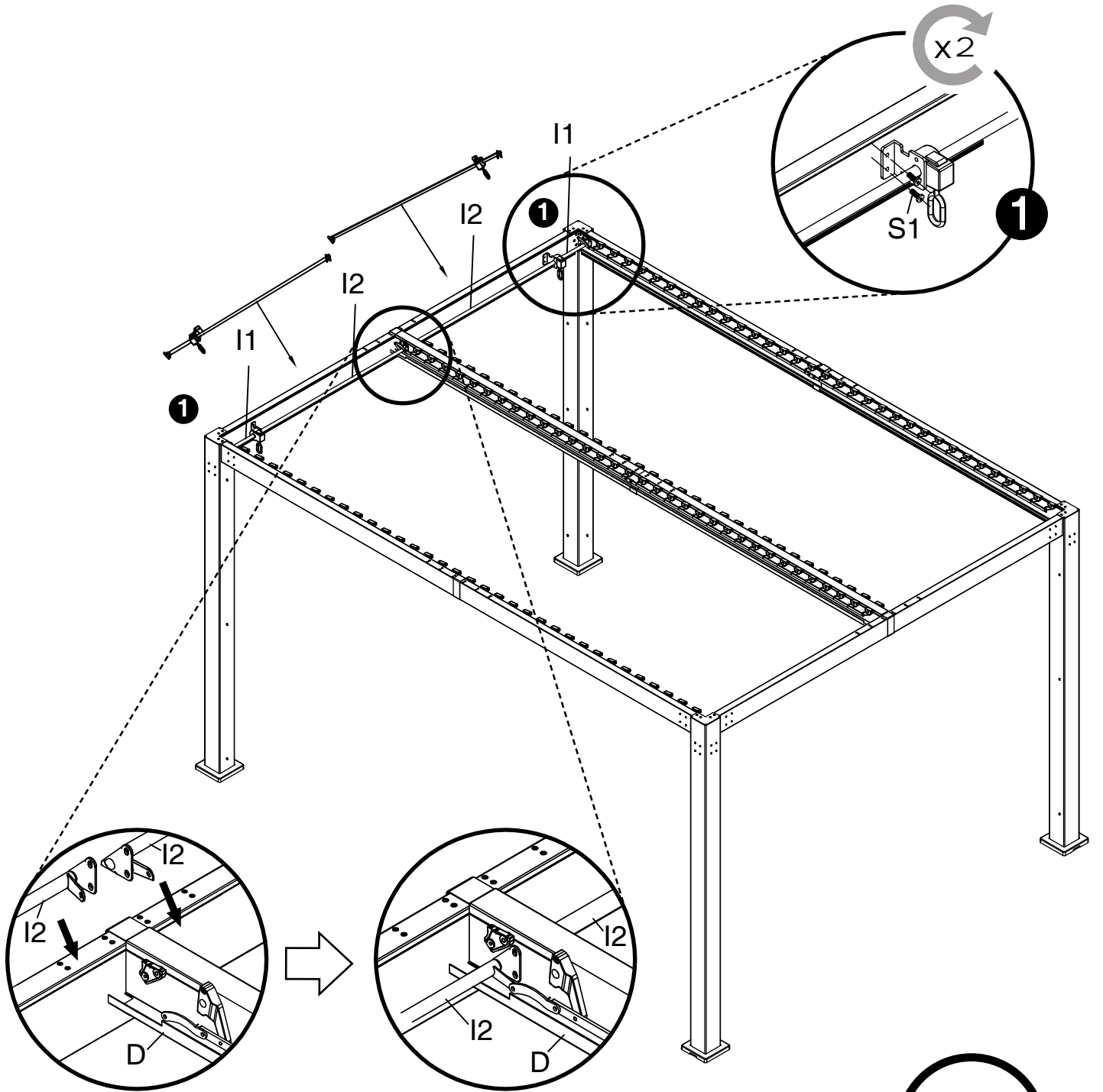
Px4



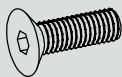
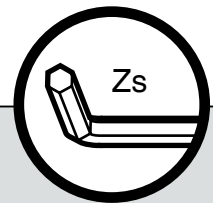
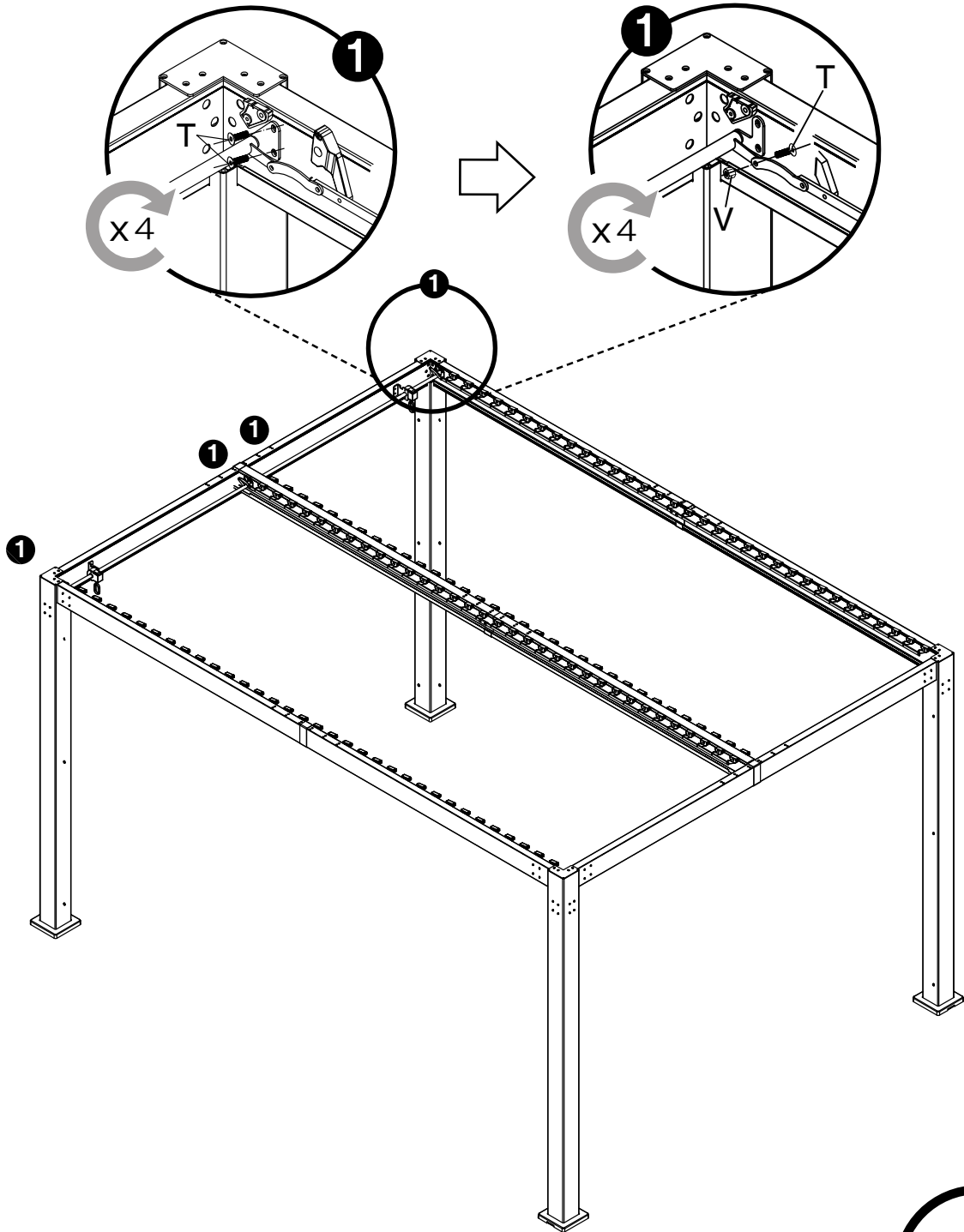
Sx8







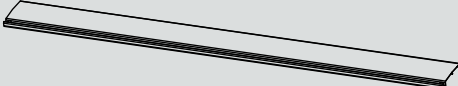
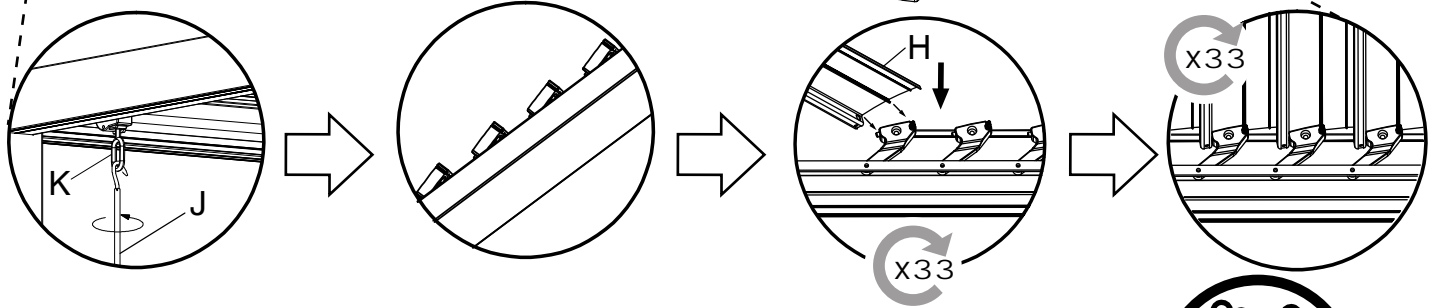
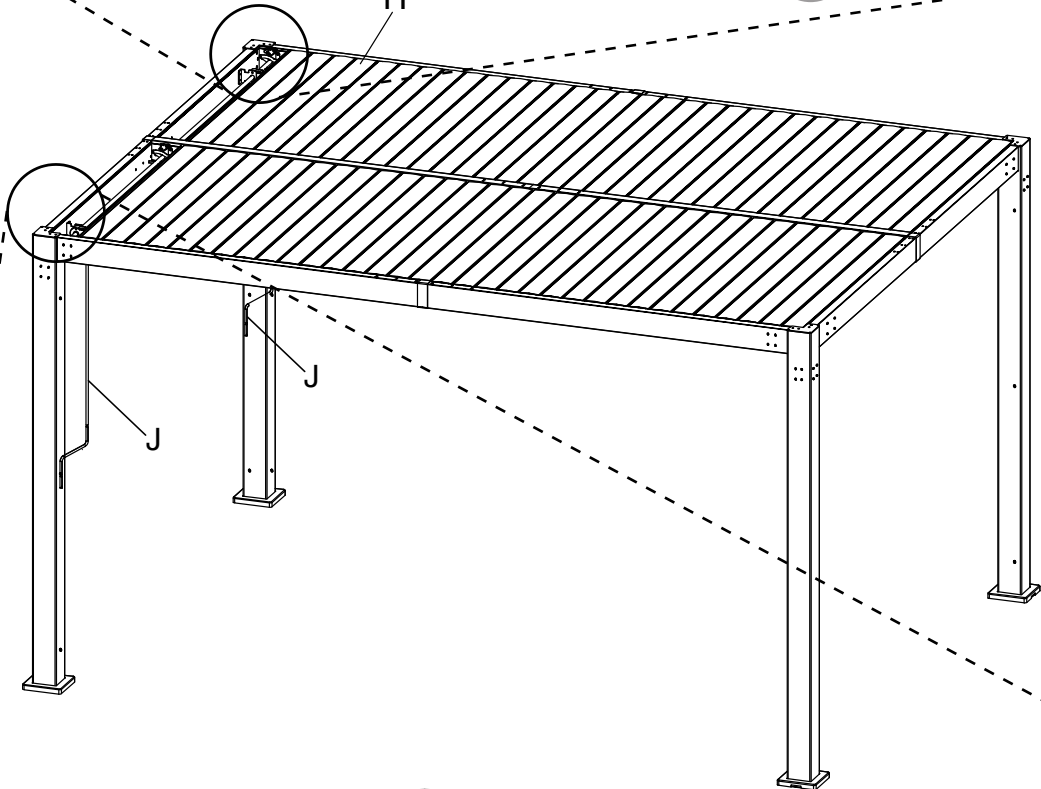
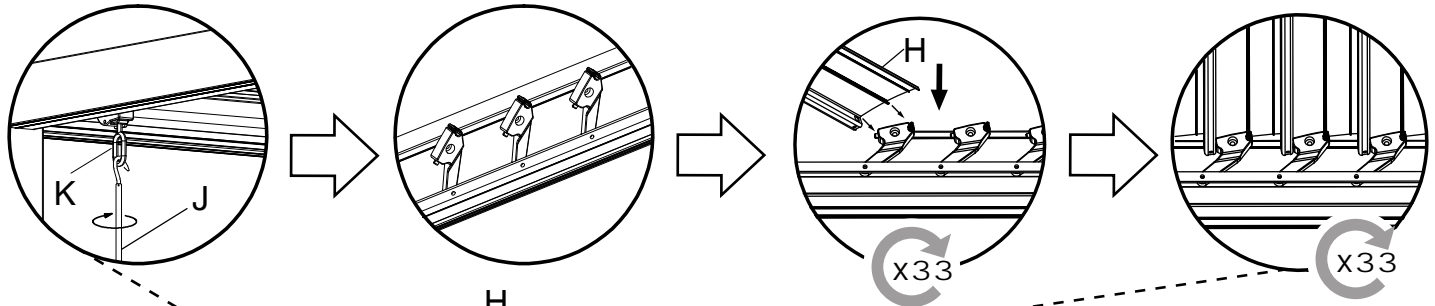
S1x4



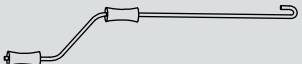
Tx12



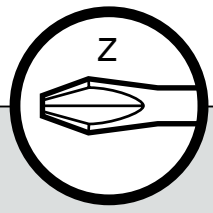
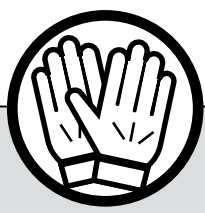
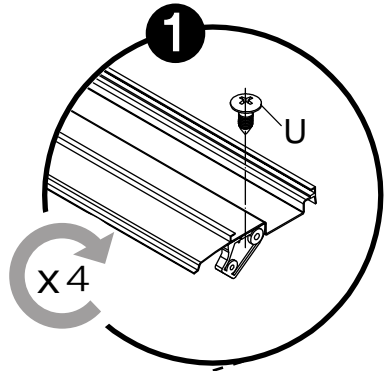
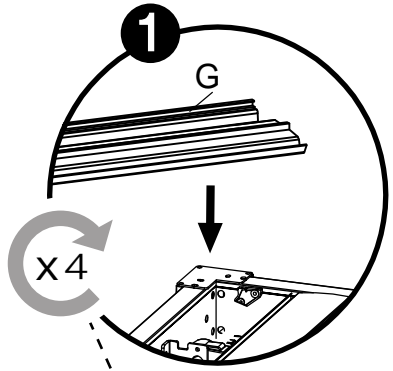
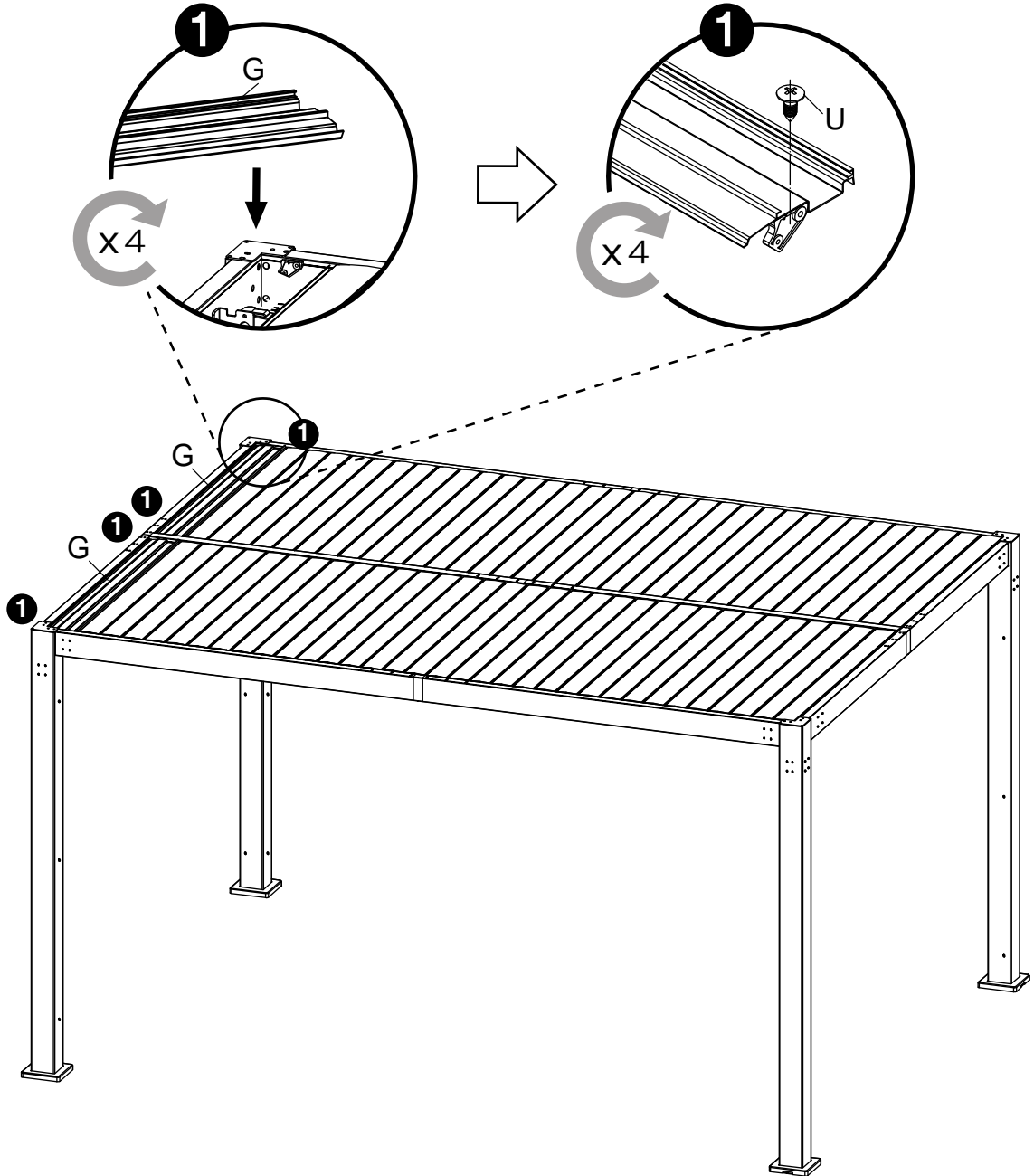
Vx4



Hx66



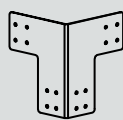
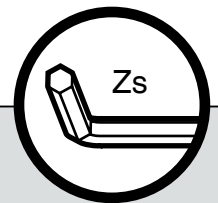
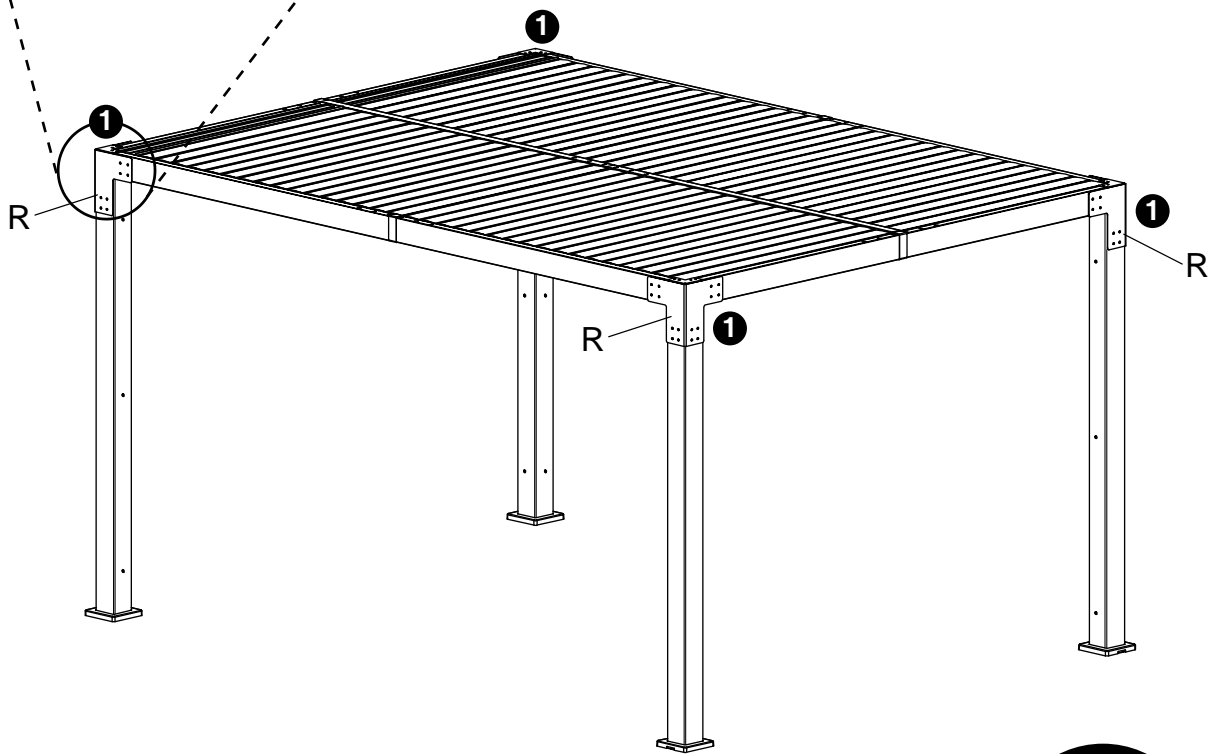
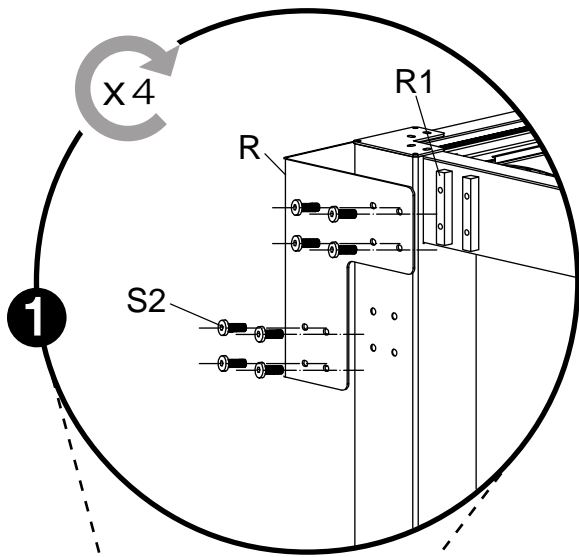
Jx2



Gx2



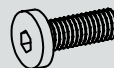
Ux4



Rx4



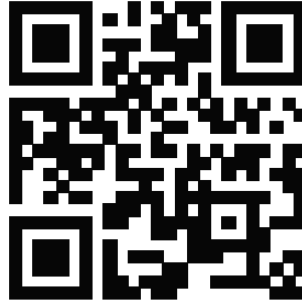
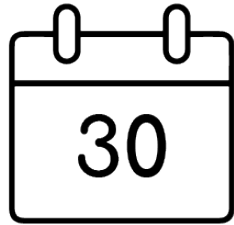
R1x16



S2x64



**Register • Enregistrer • Regístrate**  
**온라인 등록 • Registrieren**



**[ShelterLogic.com/product-registration](http://ShelterLogic.com/product-registration)**

<p><b>50NRTH GmbH</b> Straßburgstraße 14-16 Germany 54516 Wittlich phone +49 (0) 6571 / 95 117- 0 Fax +49 (0) 6571 / 95 117- 98 <a href="http://www.50NRTH.com">www. 50NRTH.com</a> <a href="mailto:info@50NRTH.com">info@50NRTH.com</a></p>	A square QR code located to the right of the contact information text.
--	--

**SOJAG ■ |**