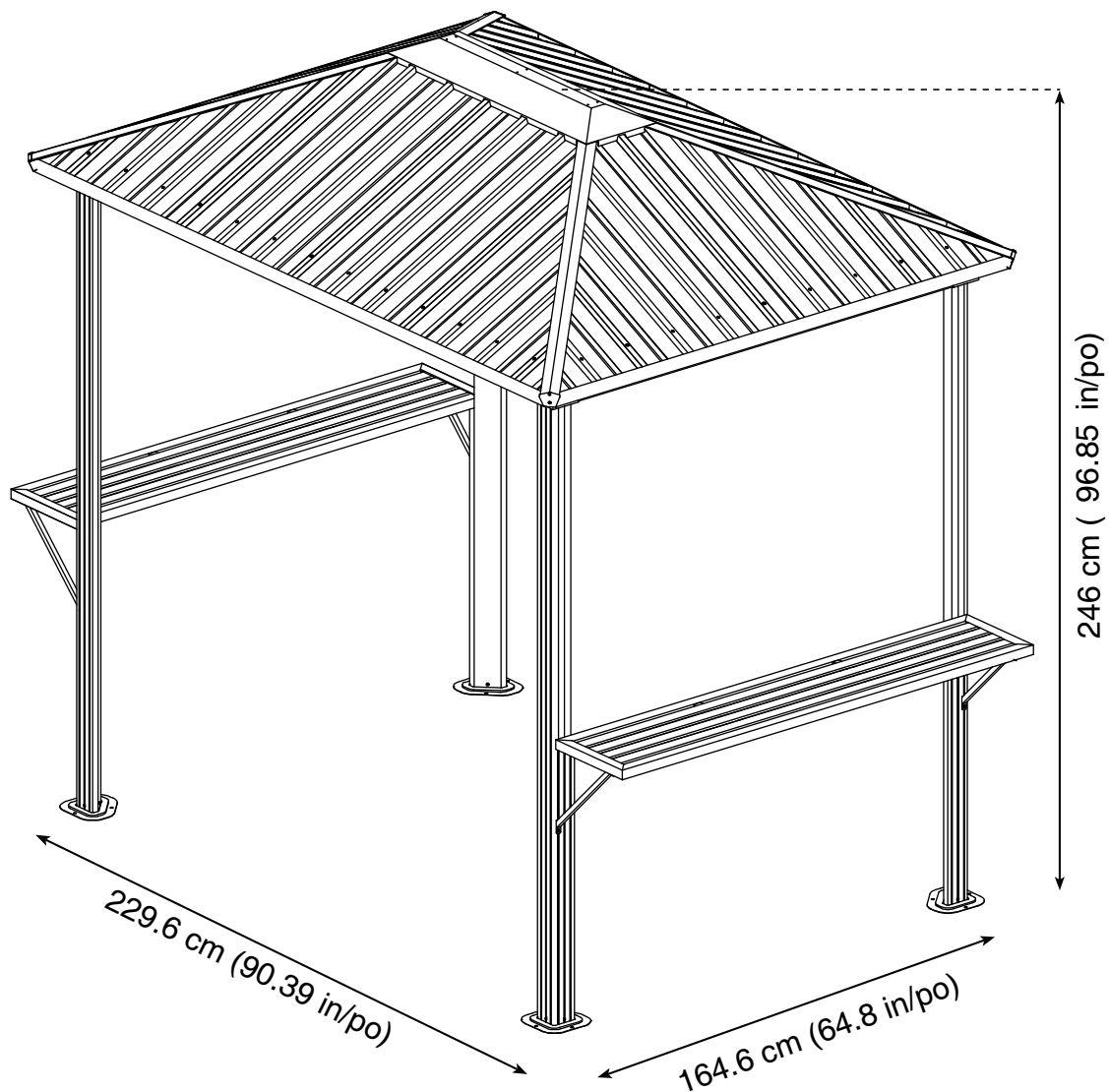
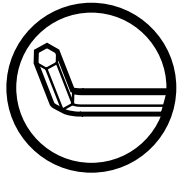


SOJAG

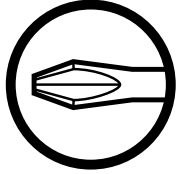
QUESTIONS? +49 (0) 6571 / 95117-0

Assembly Manual / Guide d'assemblage / Manual de ensamblaje / 조립설명서 / Montageanleitung





Use the hex keys in the box. / Utilisez les clés hexagonales fournies dans la boîte. / Utilice las llaves hexagonales en la caja. / 상자에 육각 키를 사용 하십시오. / Verwenden Sie die Sechskantschlüssel in der Box.



Please use a Phillips screwdriver. / Utilisez un tournevis de type Phillips / Por favor, use un destornillador Phillips. / 십자 드라이버를 사용 하십시오. / Bitte verwenden Sie einen Kreuzschraubenzieher.



You may need to use a drill for this step. / Vous pouvez avoir besoin d'utiliser une perceuse pour cette étape. / Puede que tenga que utilizar un taladro para este paso. / 이 단계에선 드릴을 사용해야 할 수도 있습니다. / Für diesen Schritt können Sie einen Bohrer verwenden.



Wearing protective gloves is recommended. / Le port de gants de protection est recommandé / El uso de guantes de protección se recomienda. / 보호 장갑을 착용 하는 것이 좋습니다. / Das Tragen von Schutzhandschuhen wird empfohlen.



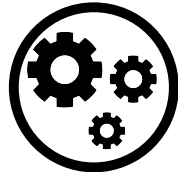
Two or more people are required at this stage. / Deux personnes ou plus sont nécessaires à cette étape. / Dos o más personas se requieren en esta etapa. / 이 단계에서는 두 명 이상 이 필요합니다. / Für diesen Bauschritt sind 2 oder mehr Personen erforderlich.



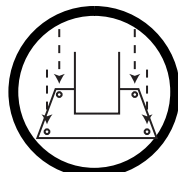
Do not tighten screws all the way for now. / Ne pas visser fermement pour l'instant. / No atornille con firmeza por ahora. / 아직 나사를 단단히 조이지 마십시오. / Bitte die Schrauben zum jetzigen Zeitpunkt noch nicht fest anziehen.



Sold separately. / Vendus séparément. / vendido en las opciones. / 옵션 판매 / Optional erhältlich




Optional step / Étape optionnelle / Paso opcional / 선택적 단계 / Optionaler Schritt

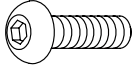


The gazebo must be anchored (hardware not included) / Le gazébo doit être ancré (quincaillerie non incluse) / El gazebo debe estar anclado (herramientas no incluidas) / gaze보를 반드시 바닥에 고정 시키세요. (고정 나사 부품 미포함) / Muss am Boden verankert werden, Befestigungsmaterial nicht im Lieferumfang enthalten

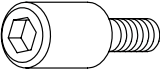
T X 44 (+4)



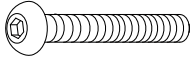
V X 45 (+5)



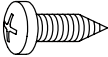
X X 32 (+3)




X2 X 4 (+1)



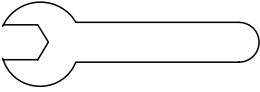
Y X 16(+2)



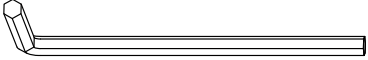
Wa X 2



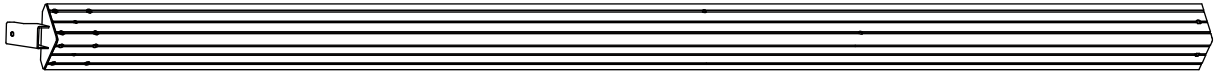
W2 X 1



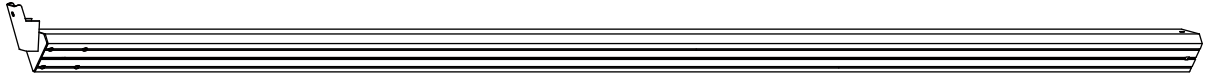
Z X 1



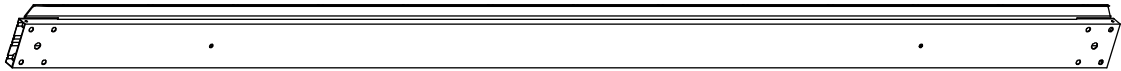
A X2



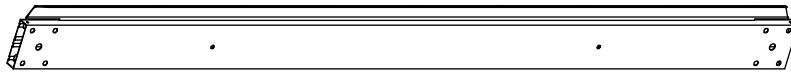
A1 X2



B X2



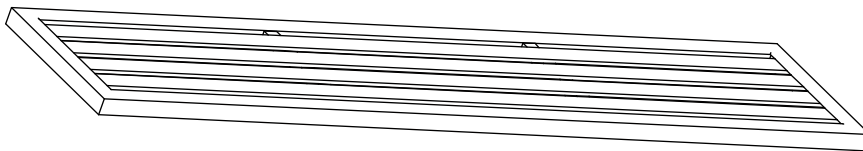
C X2



E X4



G X2



G2 X2



G3 X2



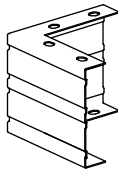
G1 X4



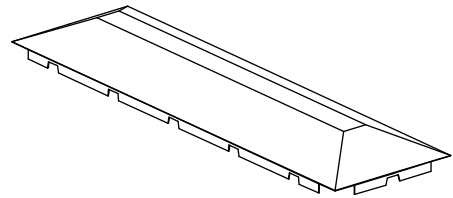
I X4



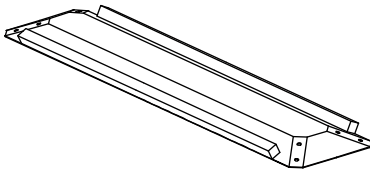
J1 X4



K X1



K1 X1



L X4



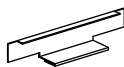
M2 X4



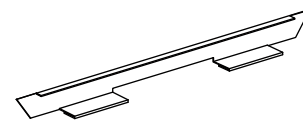
M5 X44 (+3)

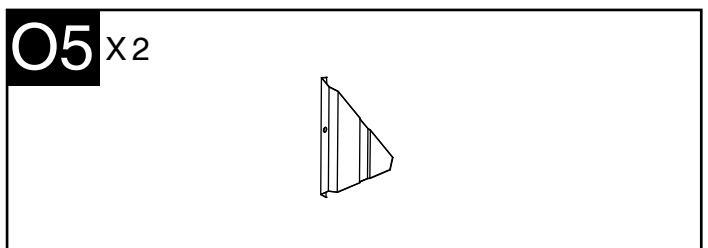
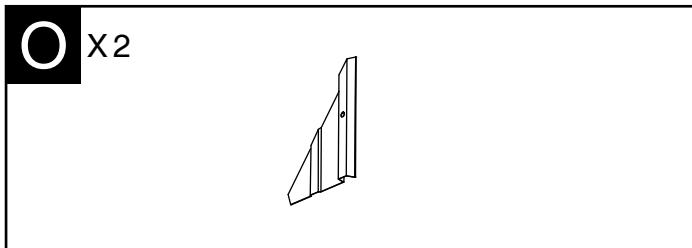
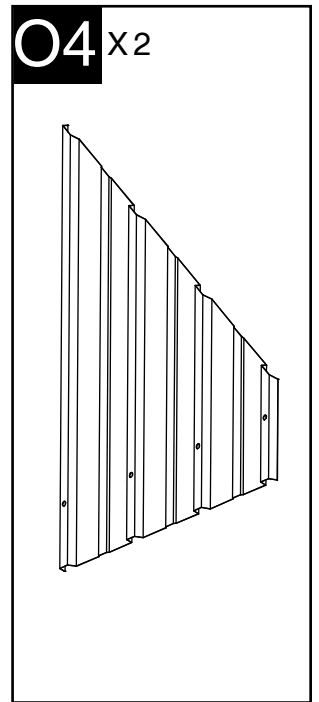
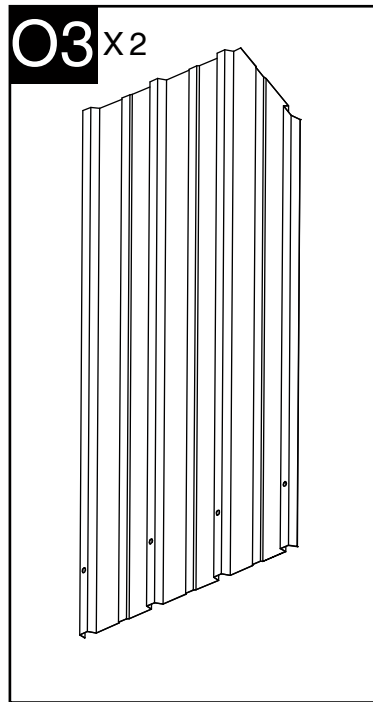
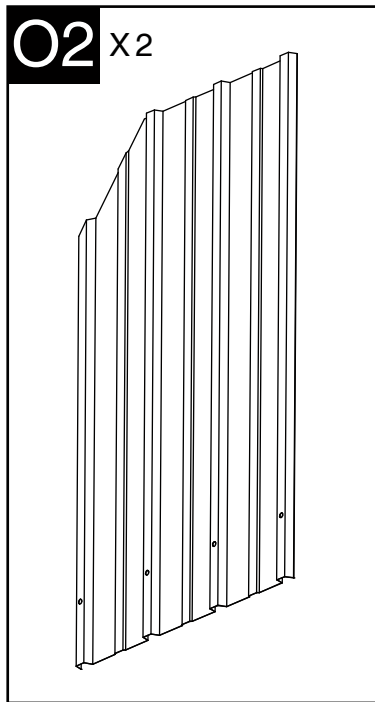
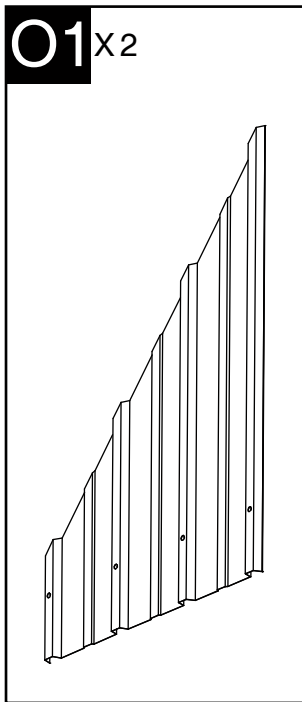
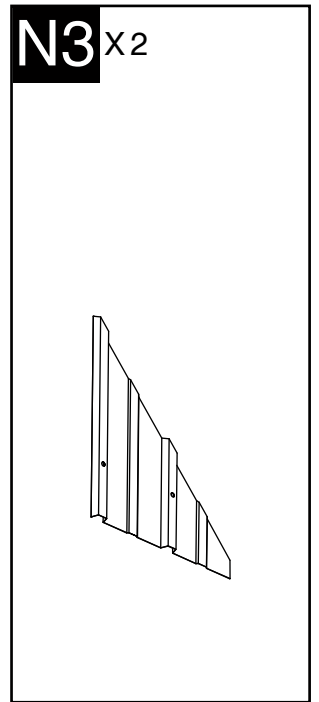
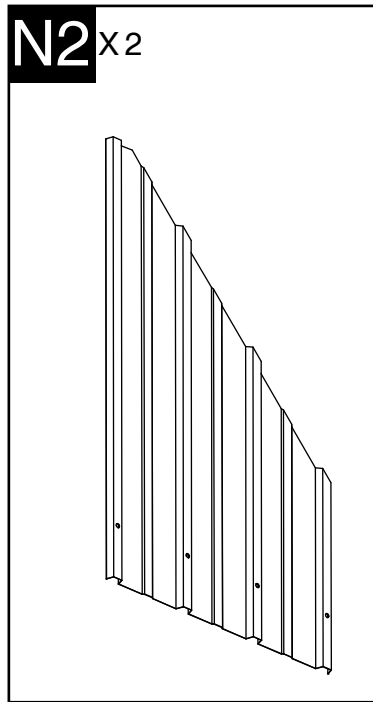
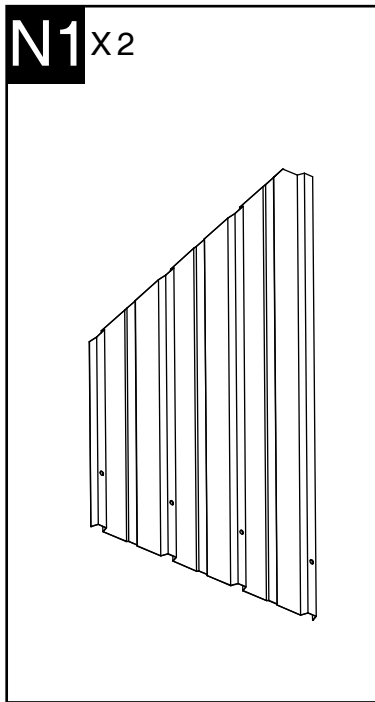
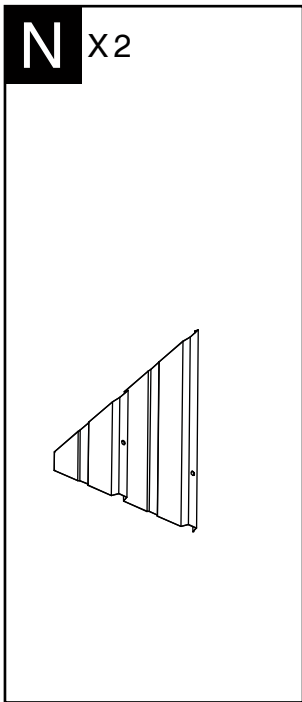


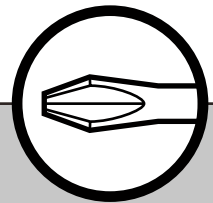
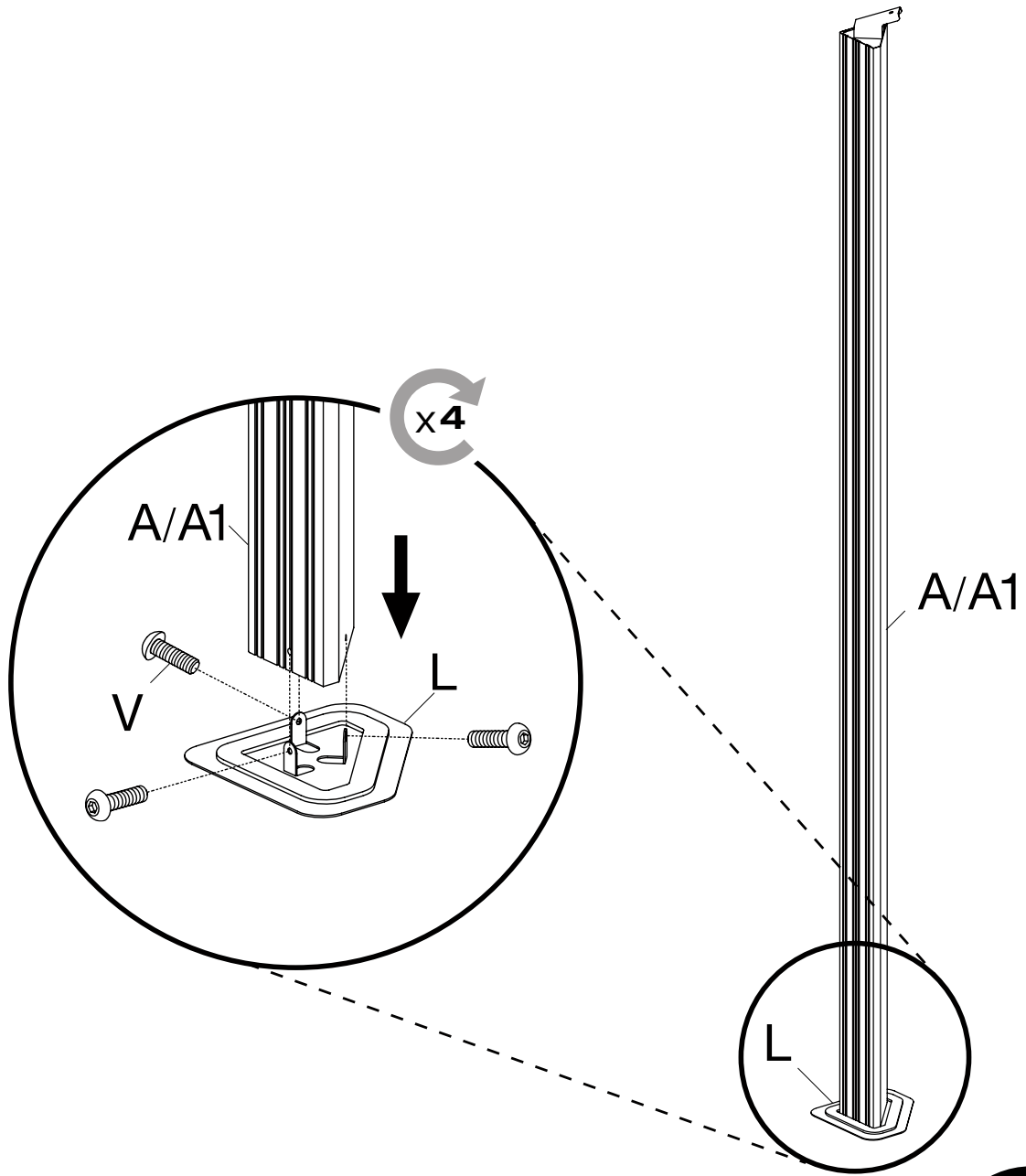
D1 X12 (+1)



R X28 (+2)







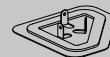
Ax2



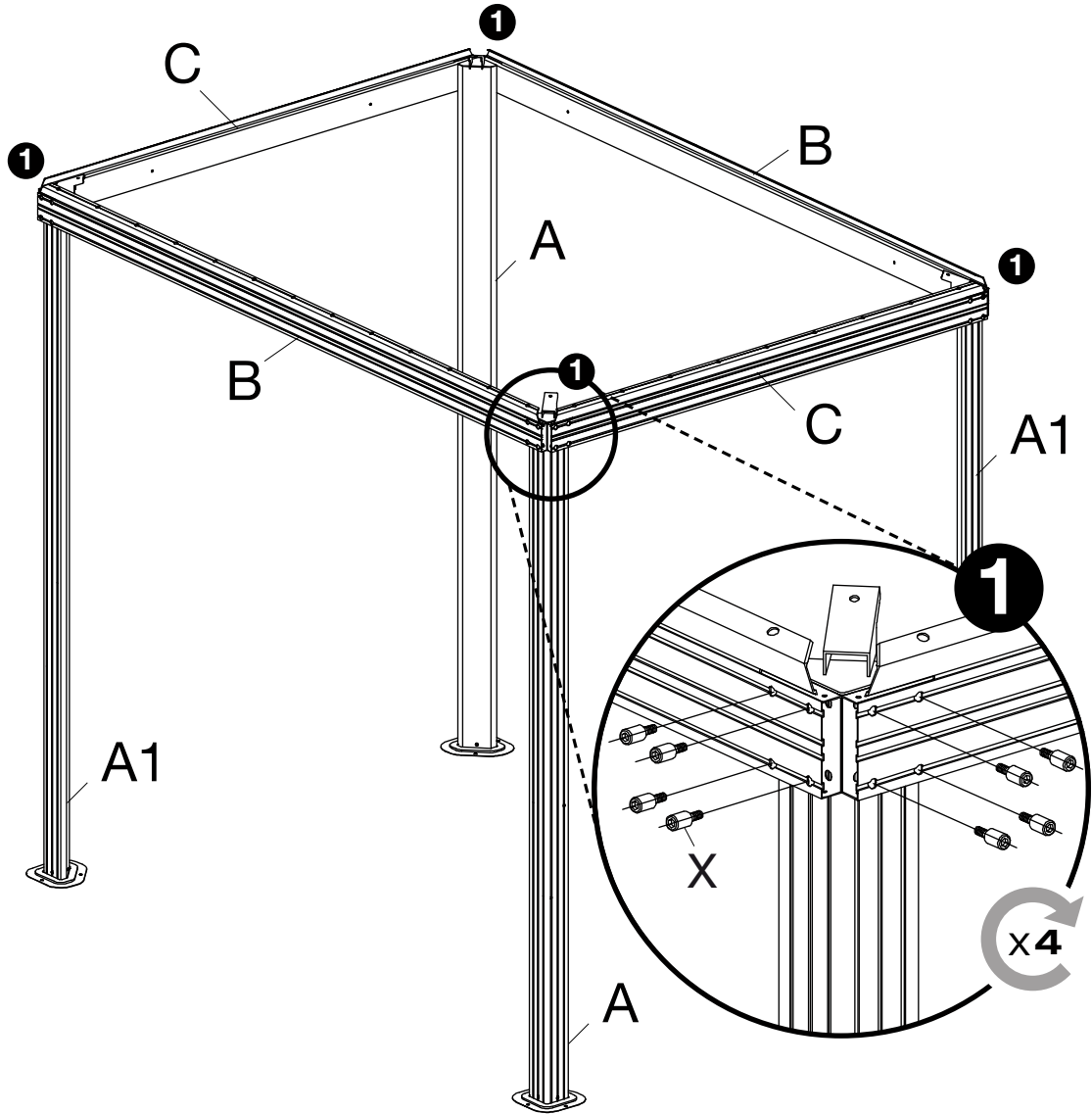
A1x2



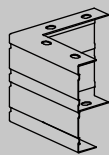
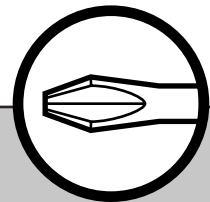
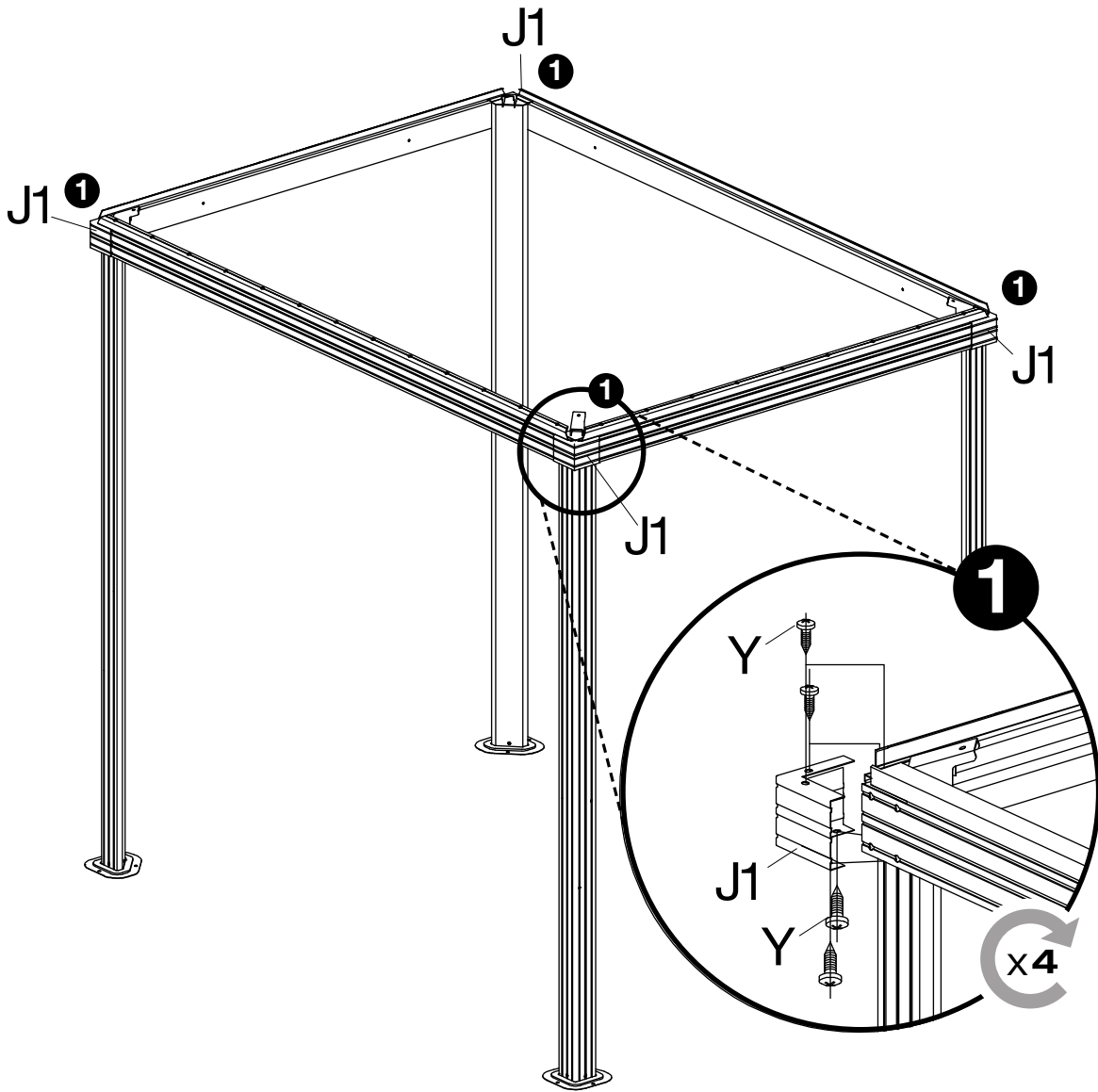
Vx12



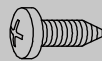
Lx4



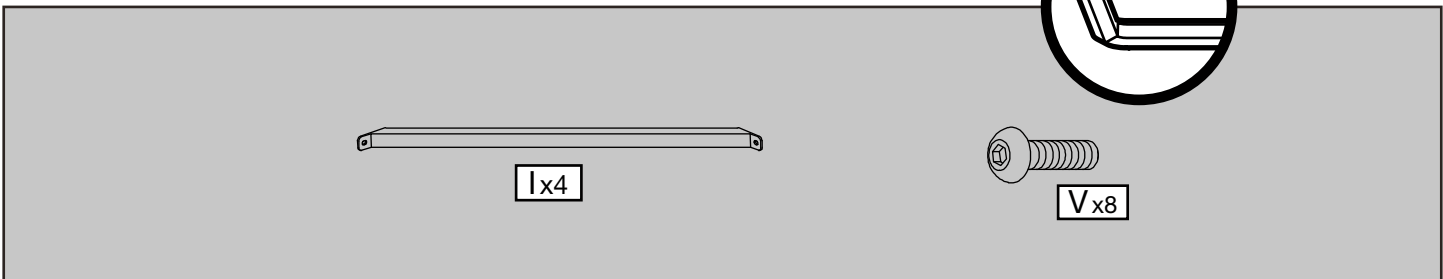
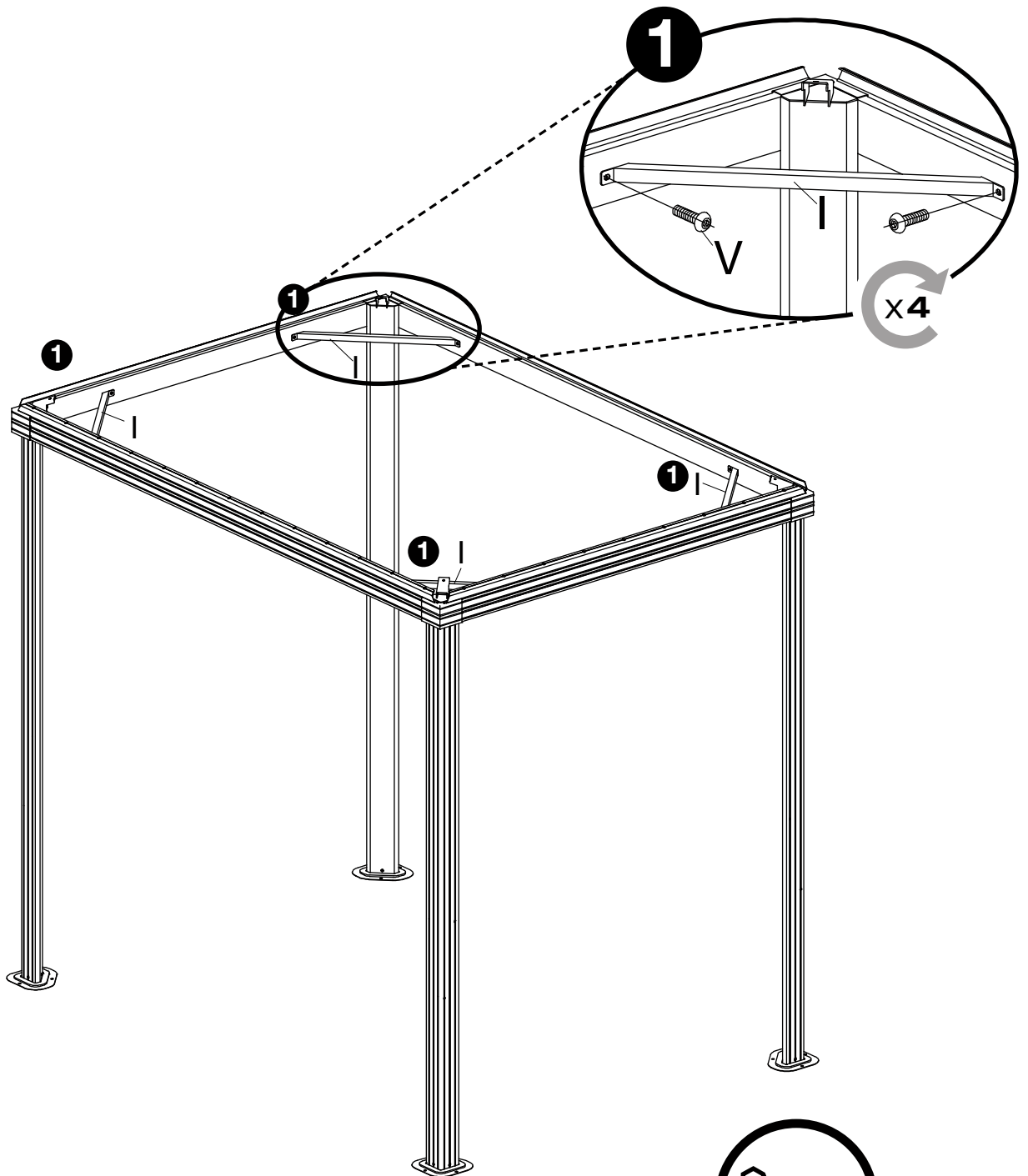
This section lists the parts required for the assembly step. It includes two long horizontal rails labeled 'Bx2', two shorter horizontal rails labeled 'Cx2', and 32 screws labeled 'Xx32'. To the right of the parts list are two circular icons: one showing two stylized human figures with the number '2+' below them, indicating that two people are needed for this step, and another showing a corner bracket being inserted into the frame.

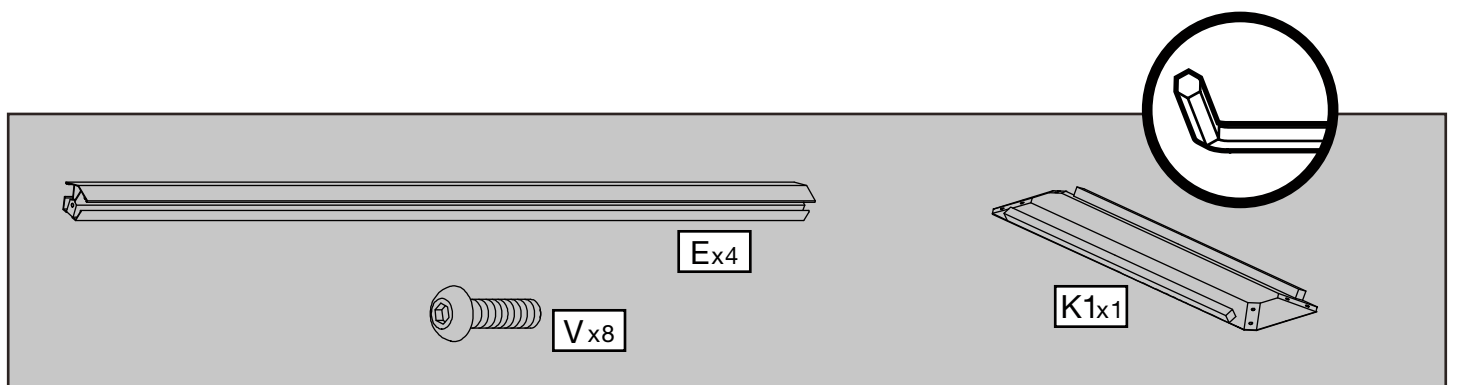
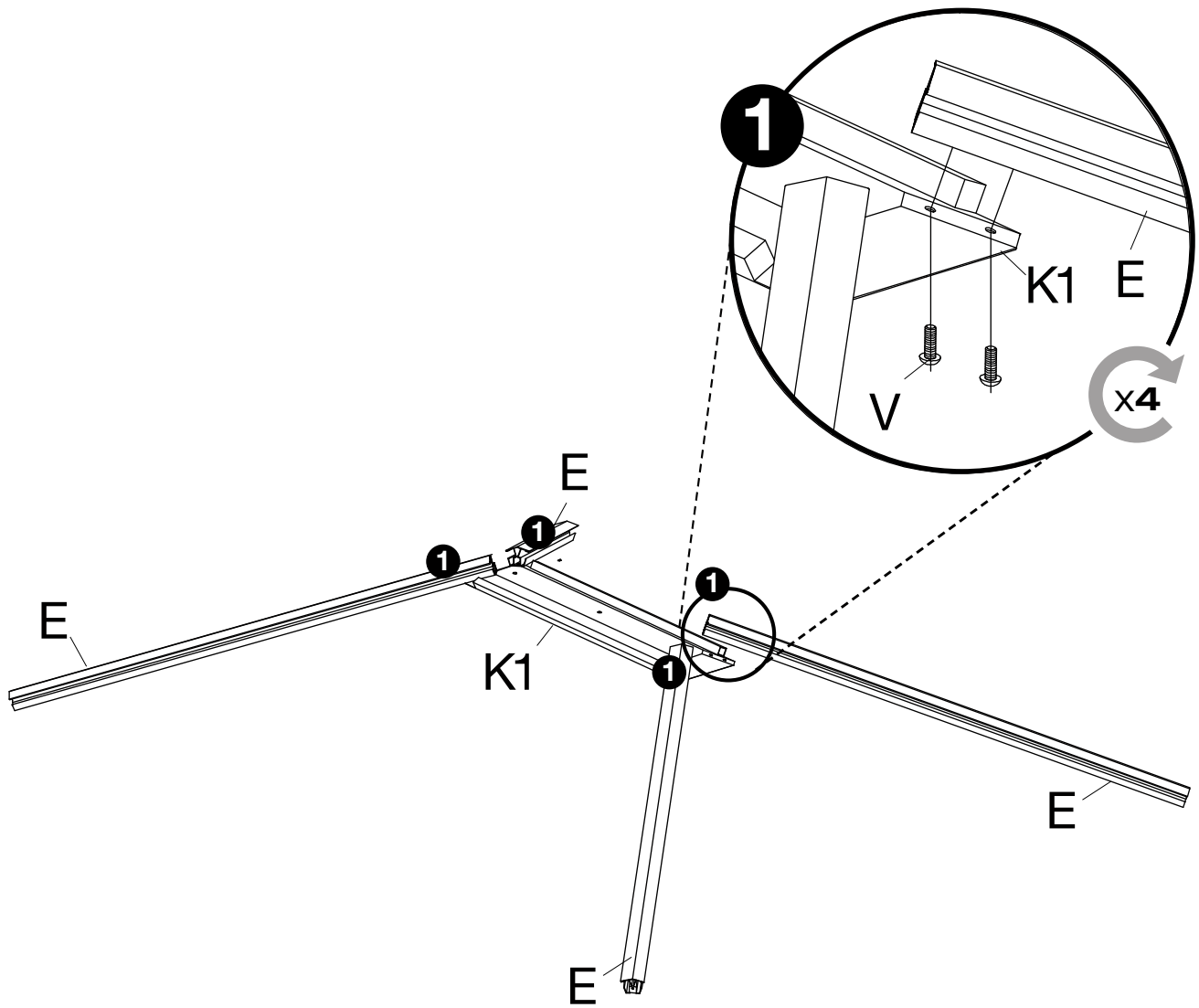


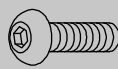
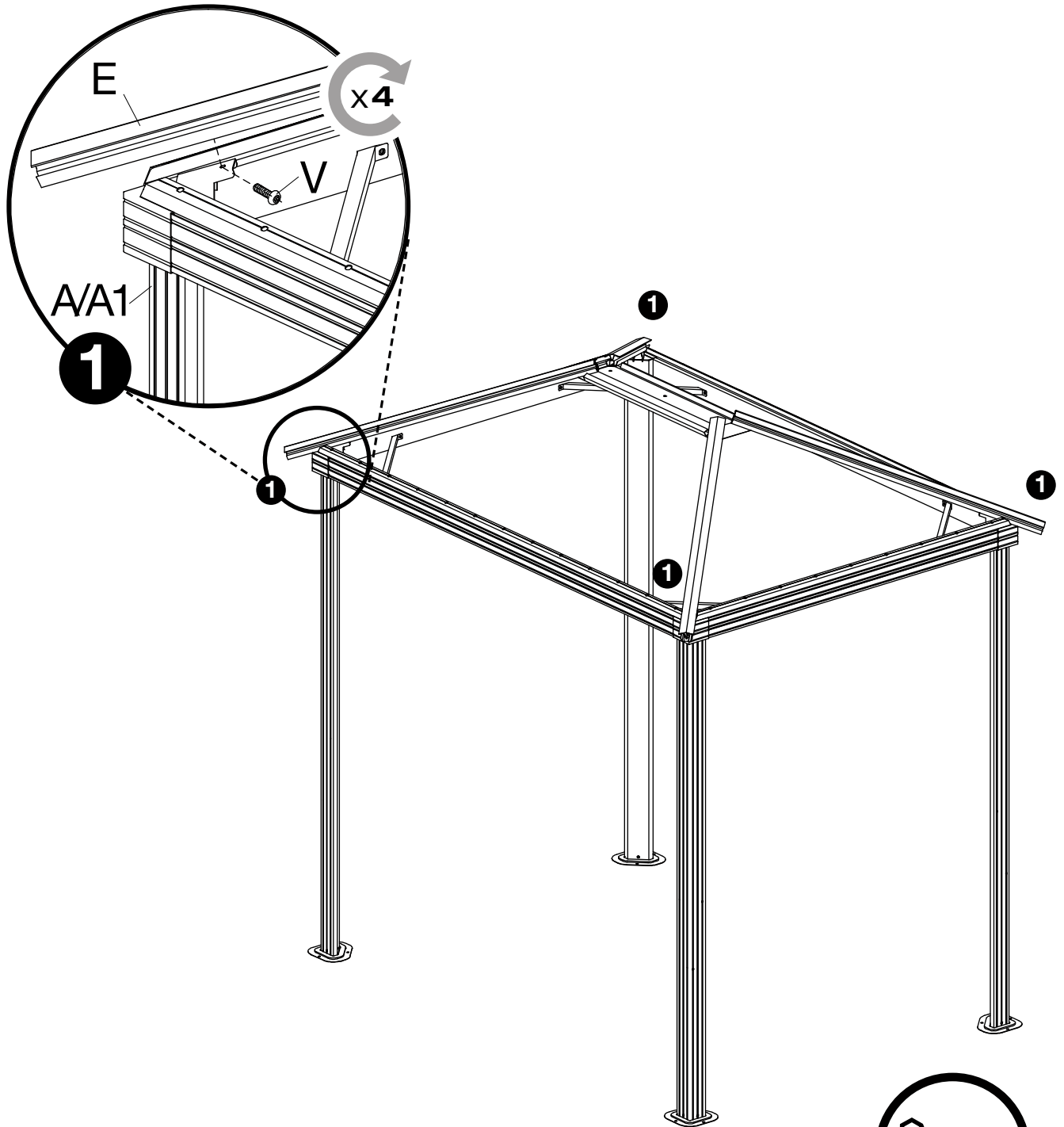
J1x4



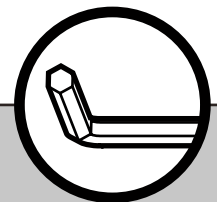
Yx16

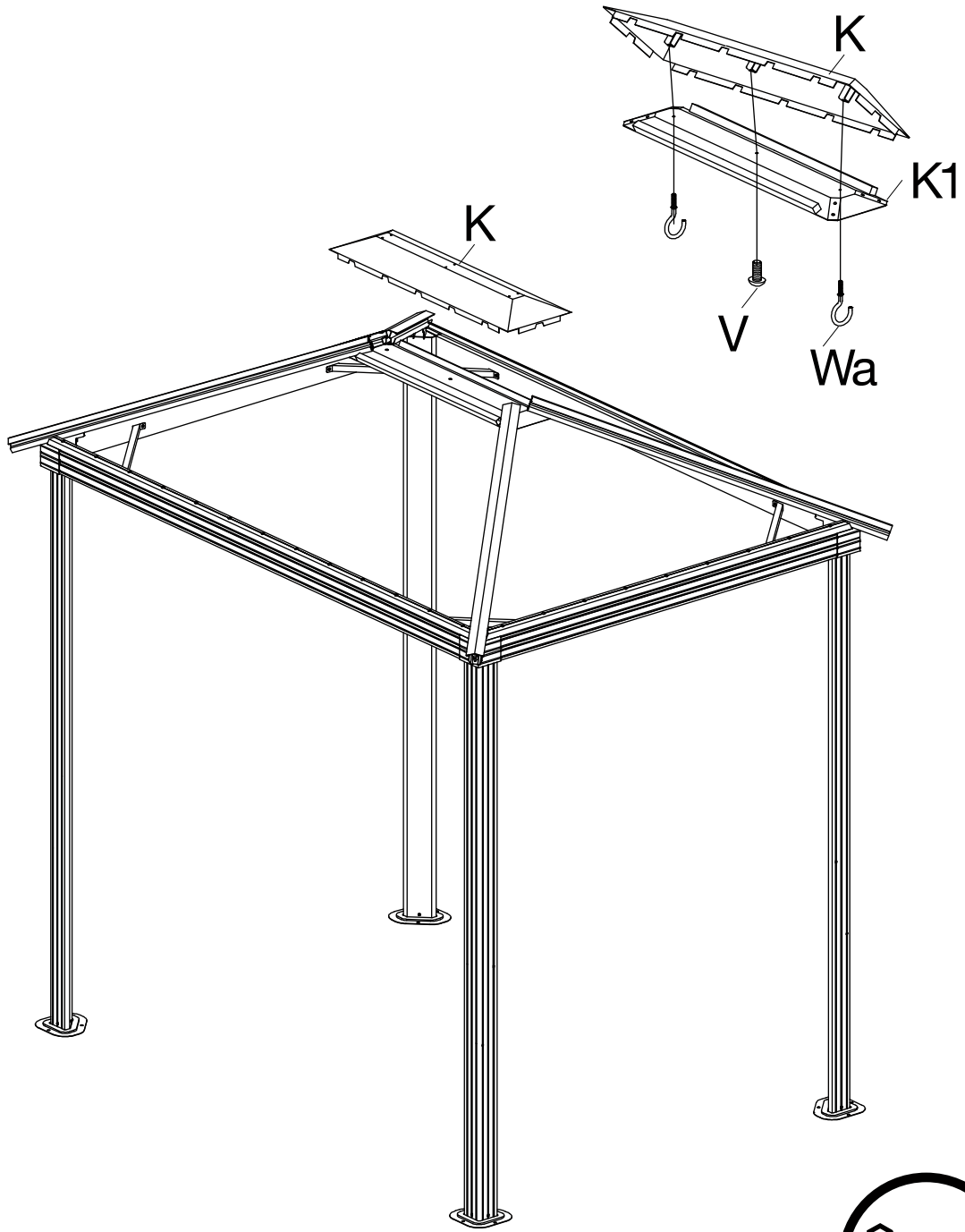






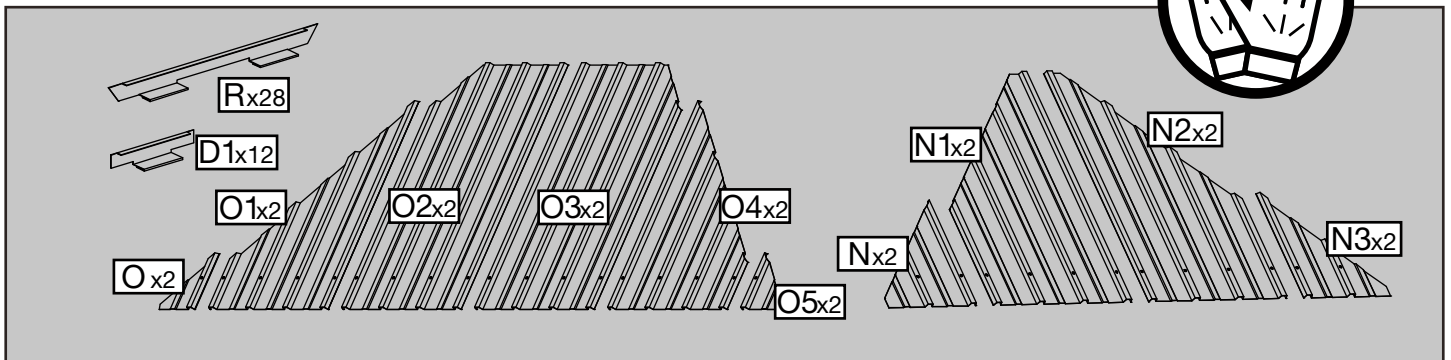
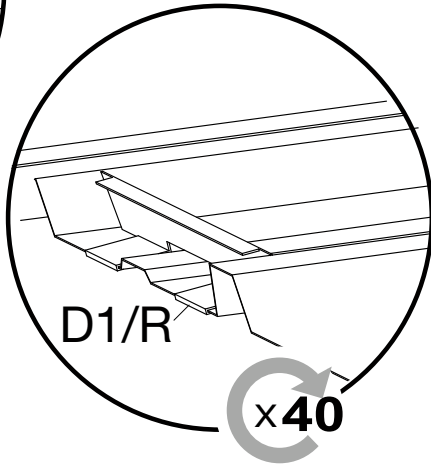
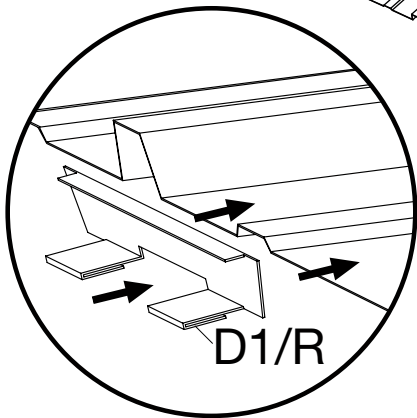
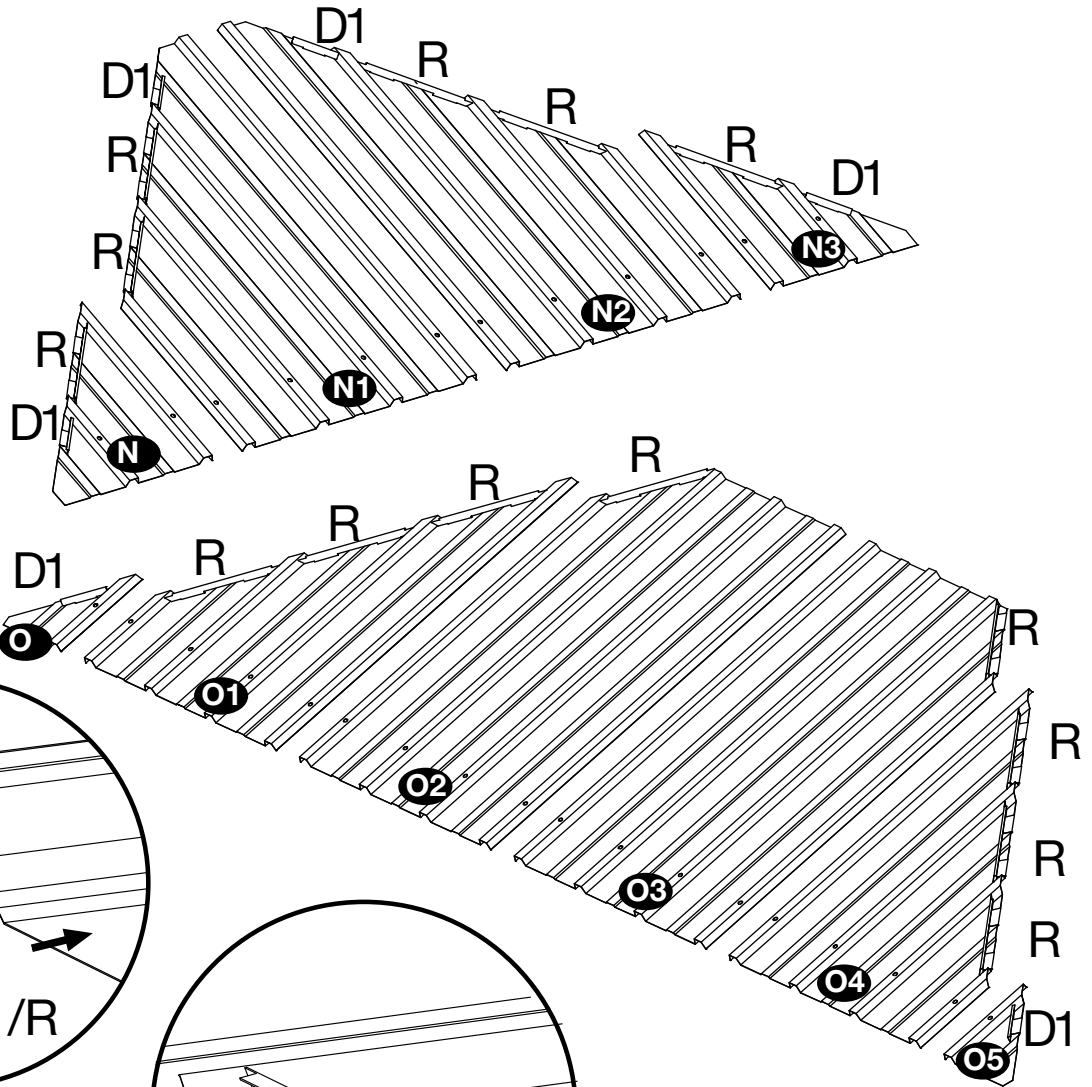
Vx4

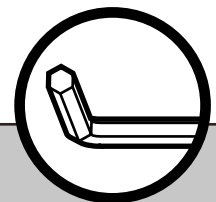
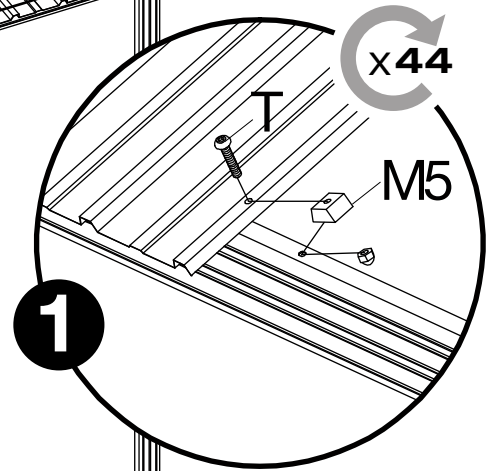
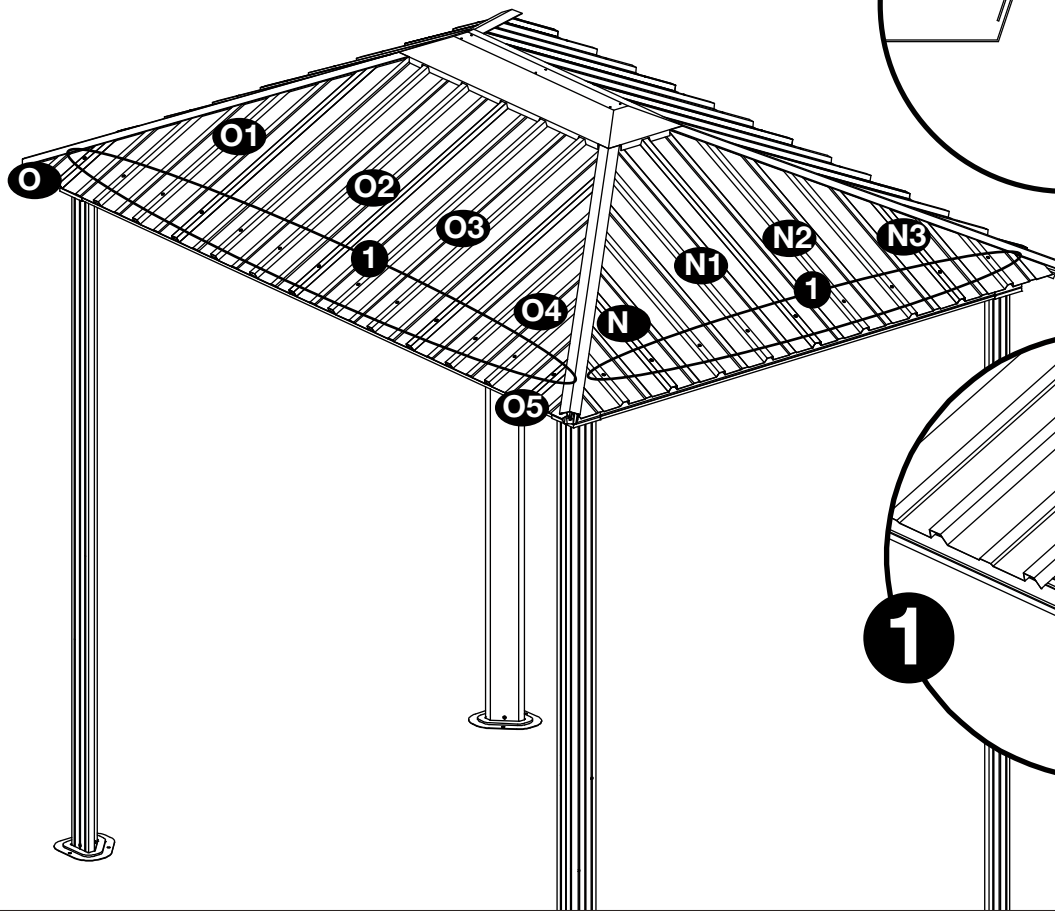
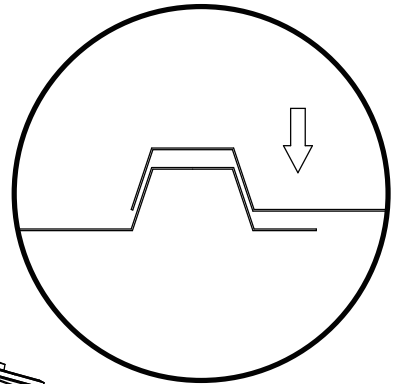
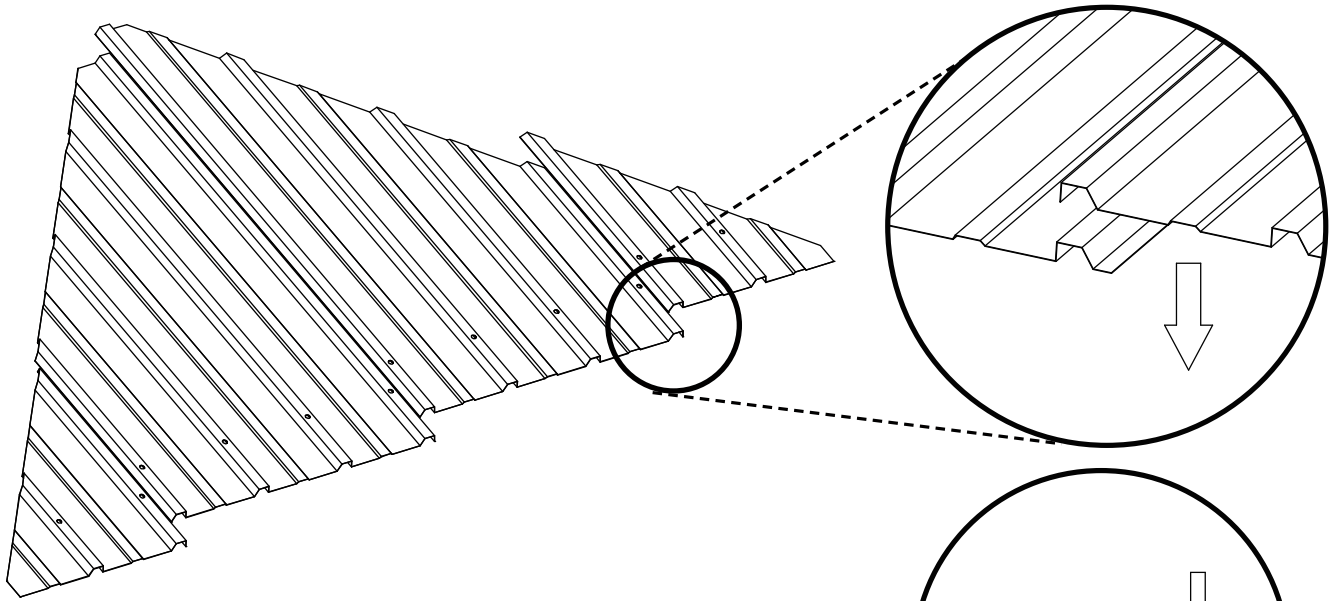


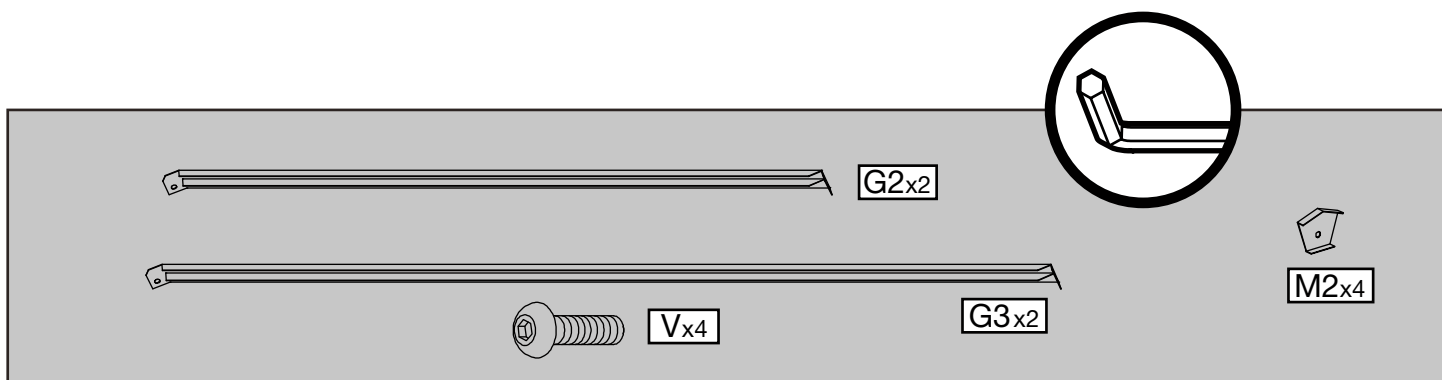
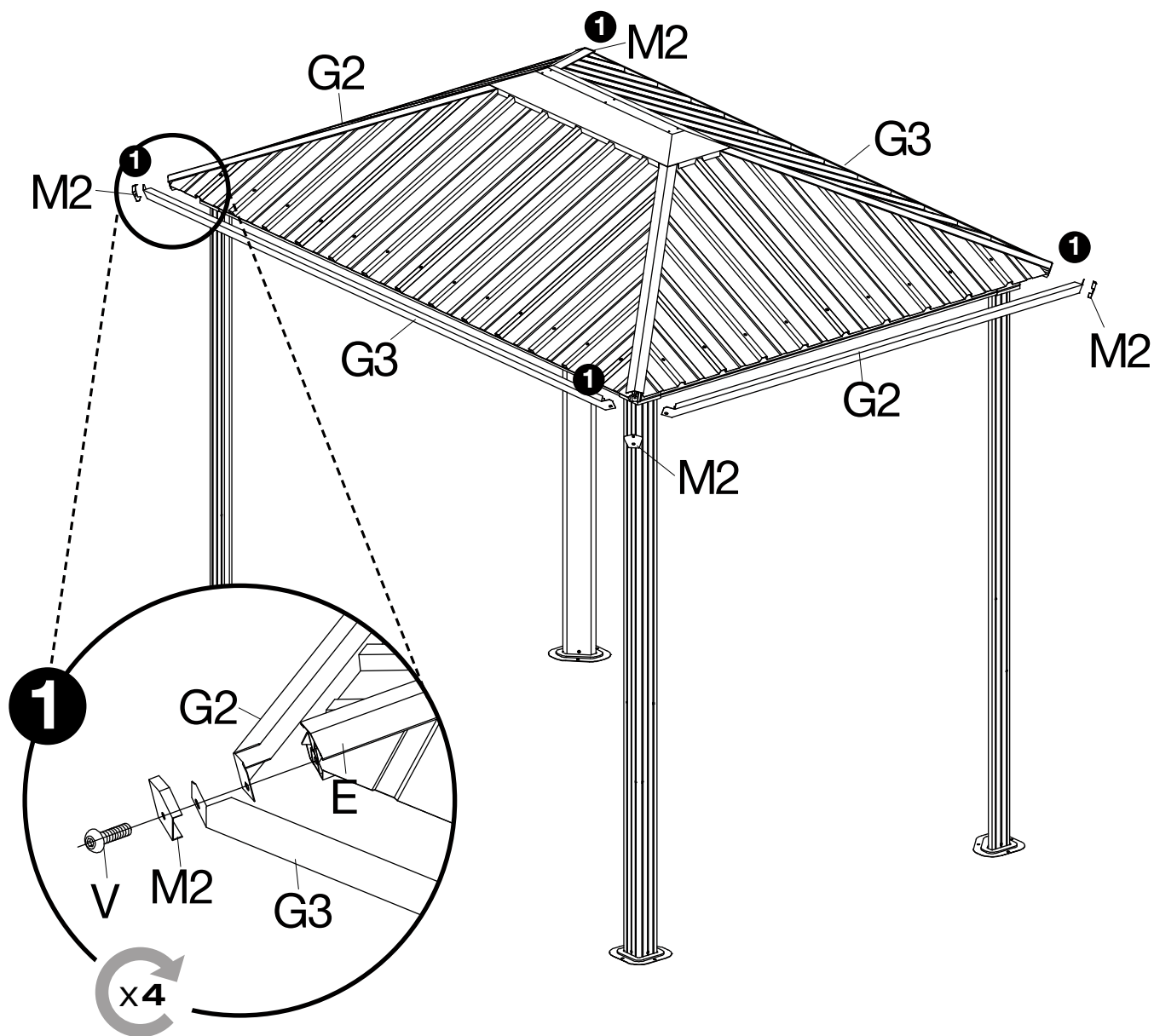


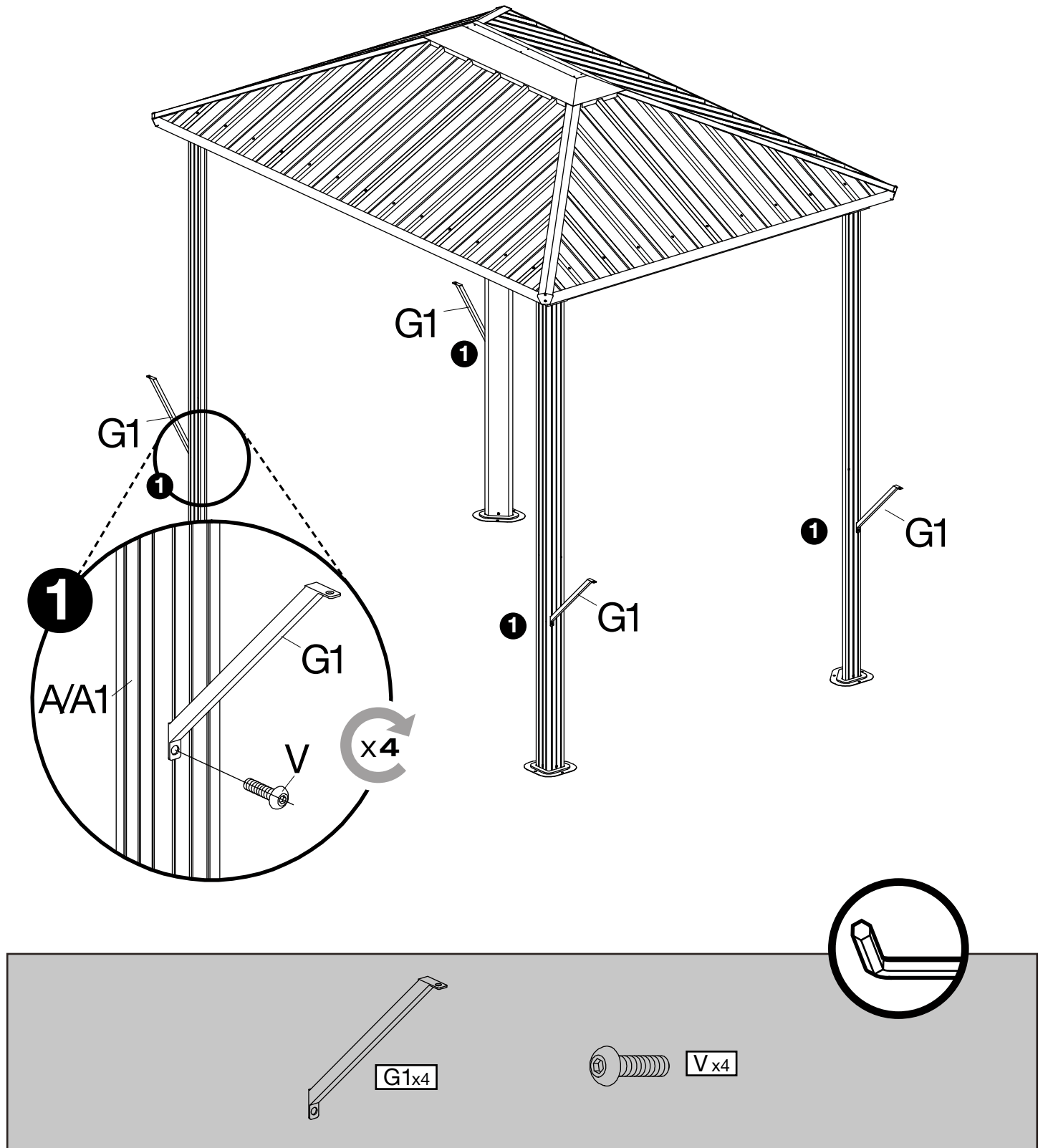
This section contains a callout for a corner bracket and three items from the parts list:

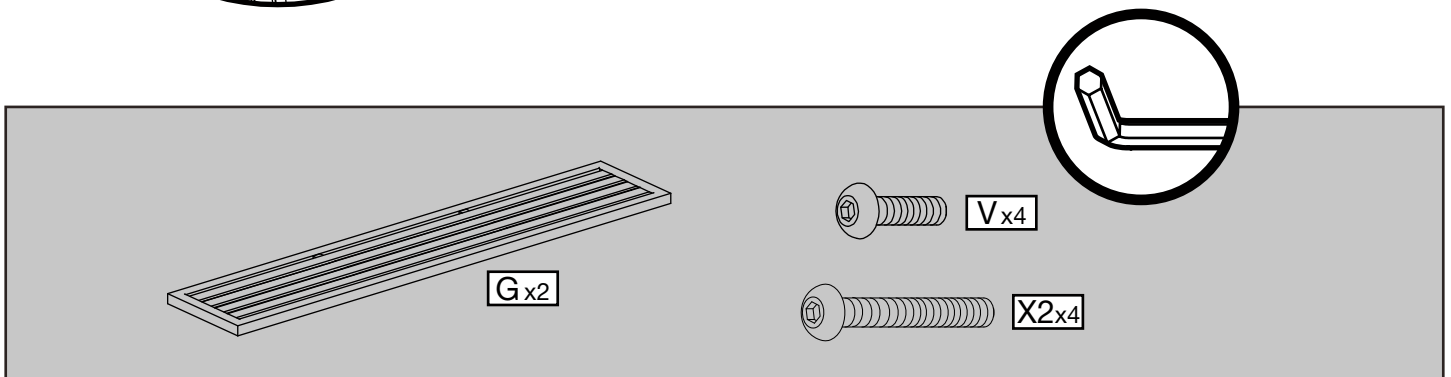
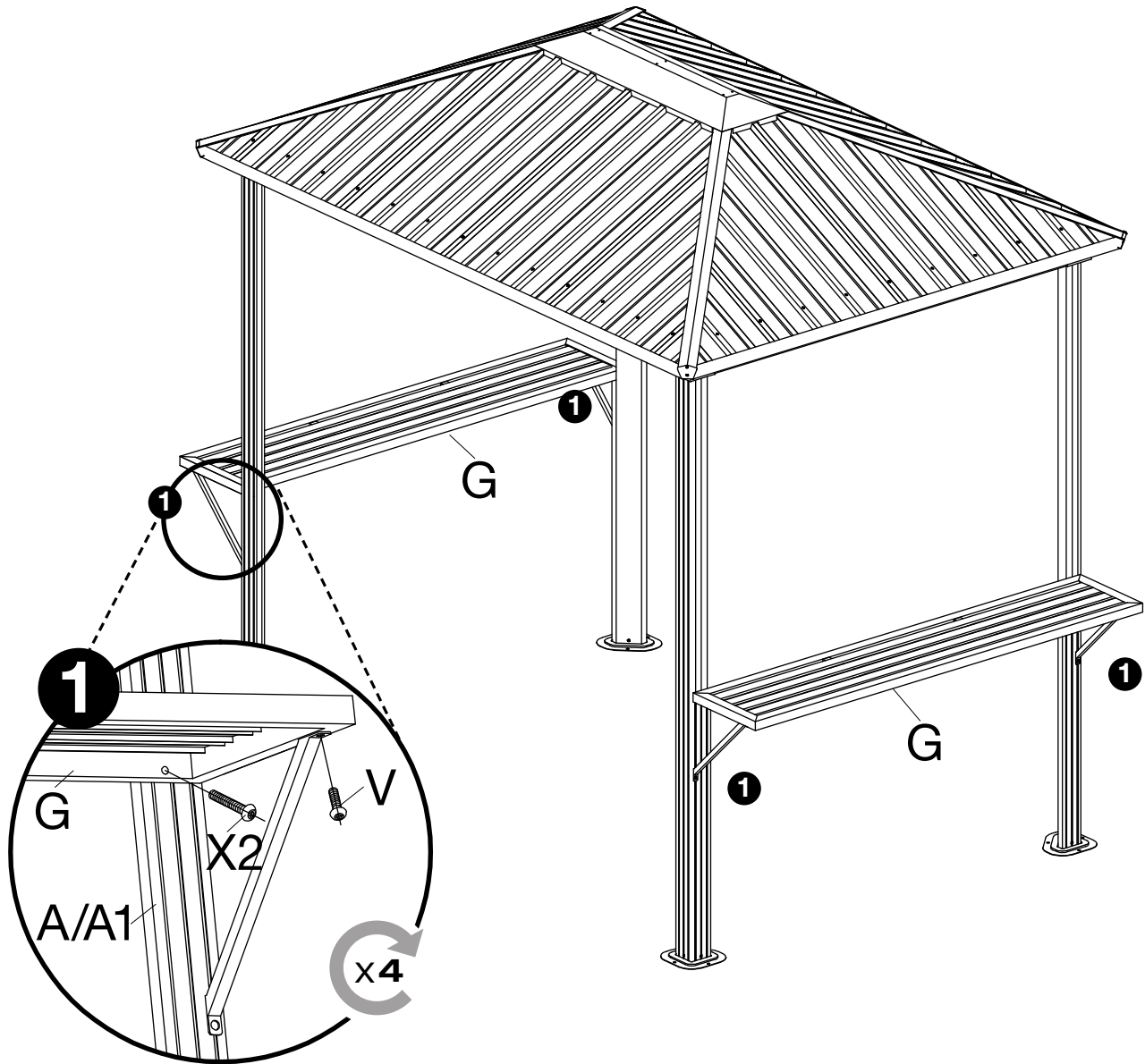
- K_{x1}**: A long, narrow, tapered top section.
- W_ax2**: A hook-shaped fastener.
- V_{x1}**: A screw.



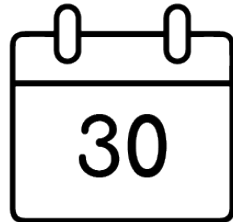








**Register • Enregistrer • Regístrate
가리키다 • Registrieren**



ShelterLogic.com/product-registration

50NRTH GmbH
Straßburgstraße 14-16
Germany 54516 Wittlich
phone +49 (0) 6571 / 95 117- 0
Fax +49 (0) 6571 / 95 117- 98
[www. 50NRTH.com](http://www.50NRTH.com)
info@50NRTH.com



SOJAG ■ |