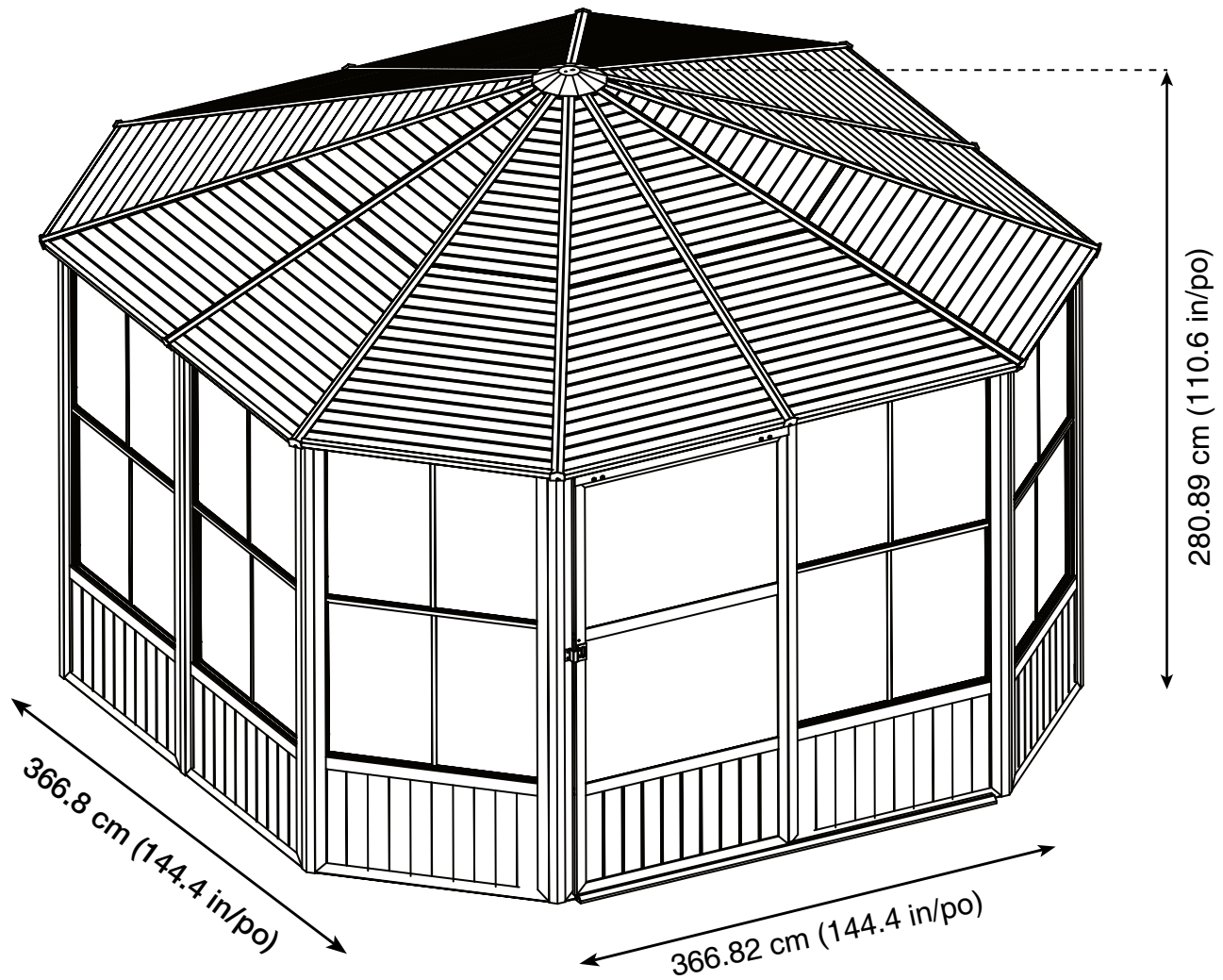


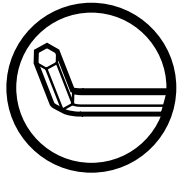
SOJAG



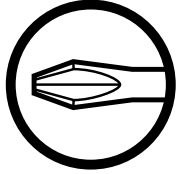
QUESTIONS? +49 (0) 6571 / 95117-0

Assembly Manual / Guide d'assemblage / Manual de ensamblaje / 조립설명서 / Montageanleitung





Use the hex keys in the box. / Utilisez les clés hexagonales fournies dans la boîte. / Utilice las llaves hexagonales en la caja. / 상자에 육각 키를 사용 하십시오. / Verwenden Sie die Sechskantschlüssel in der Box.



Please use a Phillips screwdriver. / Utilisez un tournevis de type Phillips / Por favor, use un destornillador Phillips. / 십자 드라이버를 사용 하십시오. / Bitte verwenden Sie einen Kreuzschraubenzieher.



You may need to use a drill for this step. / Vous pouvez avoir besoin d'utiliser une perceuse pour cette étape. / Puede que tenga que utilizar un taladro para este paso. / 이 단계에선 드릴을 사용해야 할 수도 있습니다. / Für diesen Schritt können Sie einen Bohrer verwenden.



Wearing protective gloves is recommended. / Le port de gants de protection est recommandé / El uso de guantes de protección se recomienda. / 보호 장갑을 착용 하는 것이 좋습니다. / Das Tragen von Schutzhandschuhen wird empfohlen.



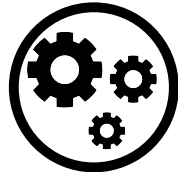
Two or more people are required at this stage. / Deux personnes ou plus sont nécessaires à cette étape. / Dos o más personas se requieren en esta etapa. / 이 단계에서는 두 명 이상 이 필요합니다. / Für diesen Bauschritt sind 2 oder mehr Personen erforderlich.



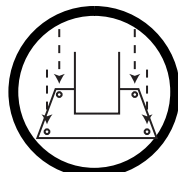
Do not tighten screws all the way for now. / Ne pas visser fermement pour l'instant. / No atornille con firmeza por ahora. / 아직 나사를 단단히 조이지 마십시오. / Bitte die Schrauben zum jetzigen Zeitpunkt noch nicht fest anziehen.



Sold separately. / Vendus séparément. / vendido en las opciones. / 옵션 판매 / Optional erhältlich

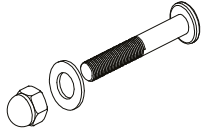


Optional step / Étape optionnelle / Paso opcional / 선택적 단계 / Optionaler Schritt

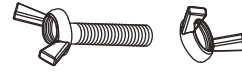


The gazebo must be anchored (hardware not included) / Le gazébo doit être ancré (quincaillerie non incluse) / El gazebo debe estar anclado (herramientas no incluidas) / gaze보를 반드시 바닥에 고정 시키세요. (고정 나사 부품 미포함) / Muss am Boden verankert werden, Befestigungsmaterial nicht im Lieferumfang enthalten

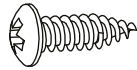
B6 X 8 (+2)



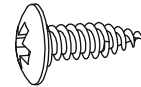
WS X 1 (+1)



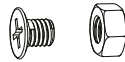
S X 24 (+4)



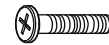
S1 X 12 (+2)



T X 32 (+6)



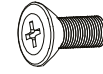
U X 60 (+6)



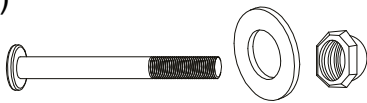
V X 52 (+6)



V2 X 8 (+2)



W X 12 (+2)



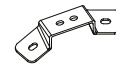
X X 12 (+2)



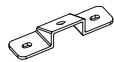
Y X 1 (+1)



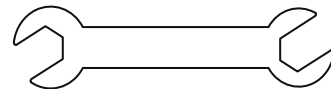
Z1 X 8

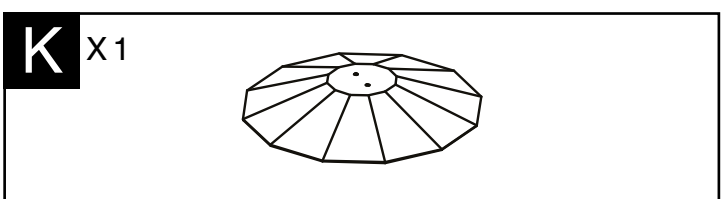
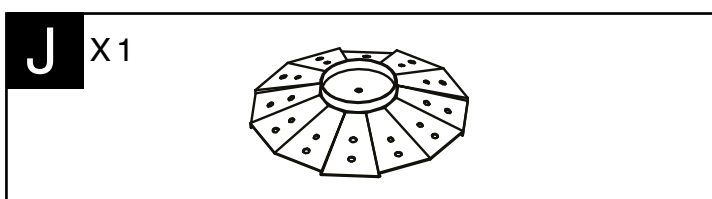
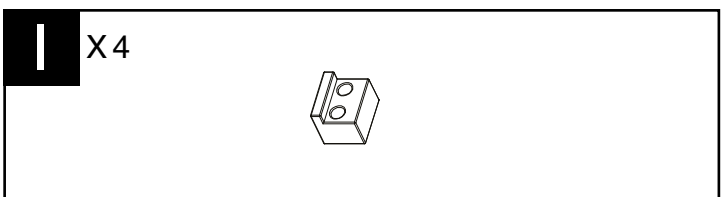
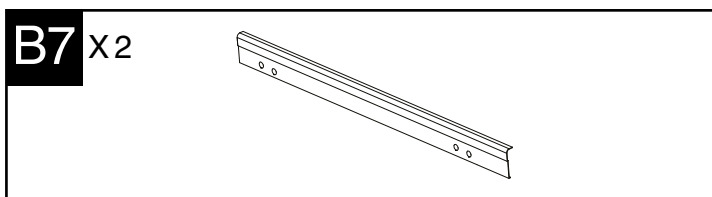
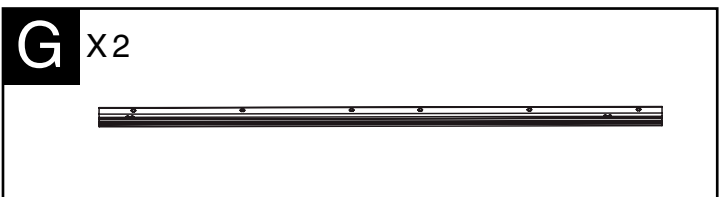
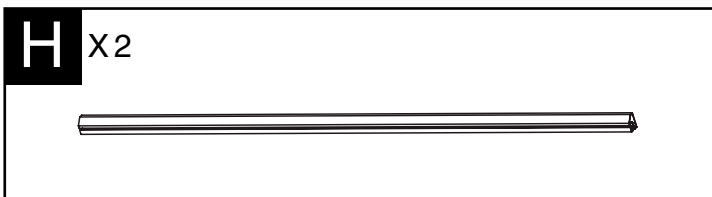
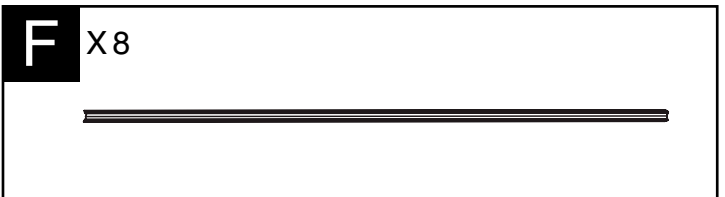
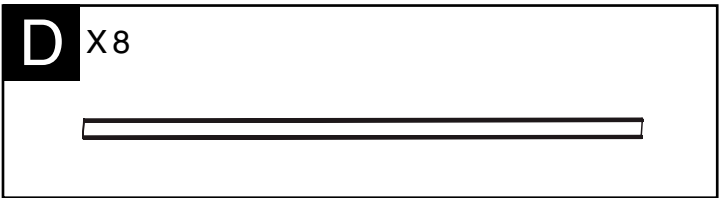
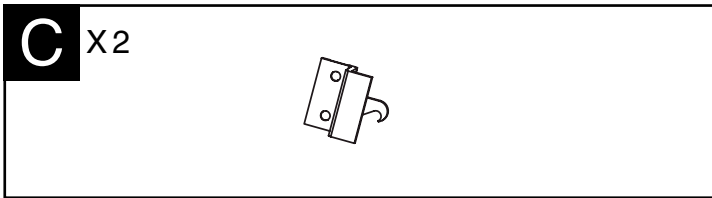
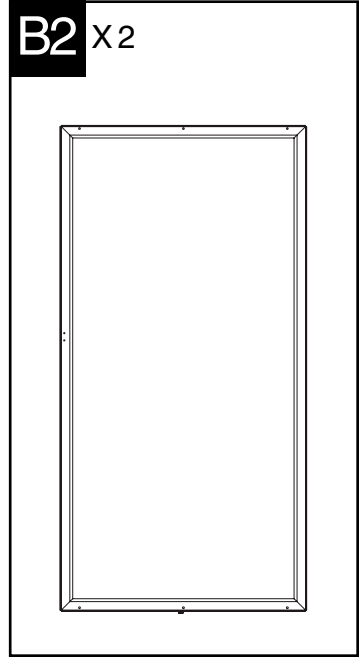
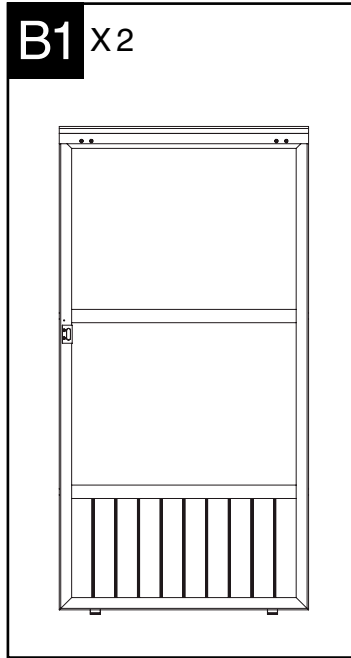
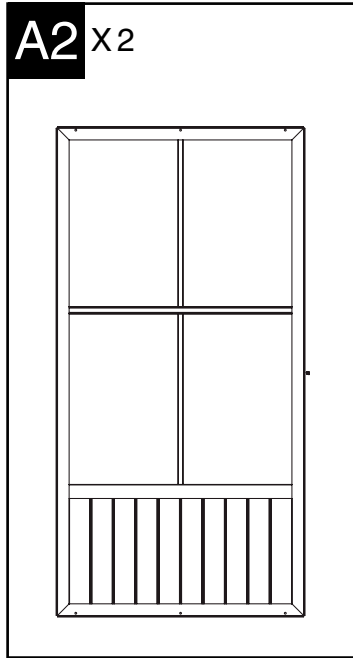
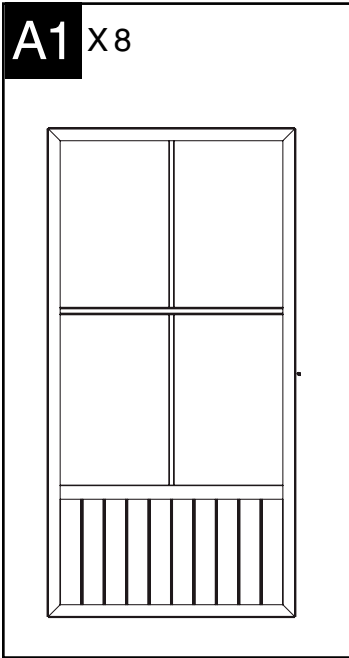


Z2 X 4



Z3 X 1





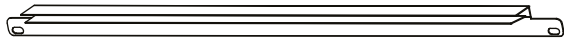
L1 X8



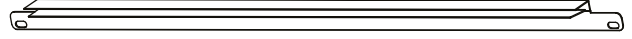
L2 X4



M X8



M1 X4



N X8



N1 X4



O X8



O1 X4



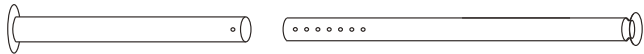
P X8



P1 X4



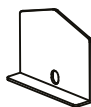
WE x1



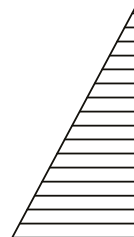
B5 x4



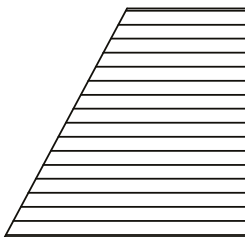
Q x12



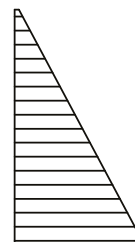
R1a x4



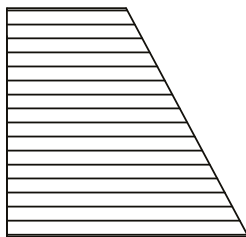
R1b x4



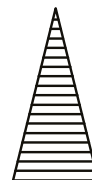
Ra x4



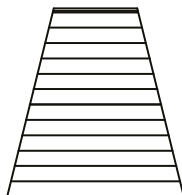
Rb x4



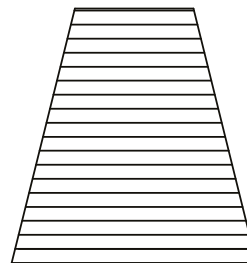
Qa x4

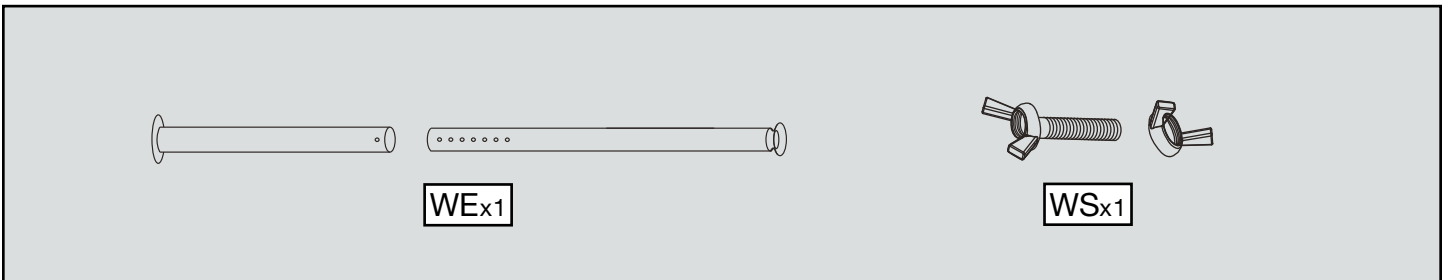
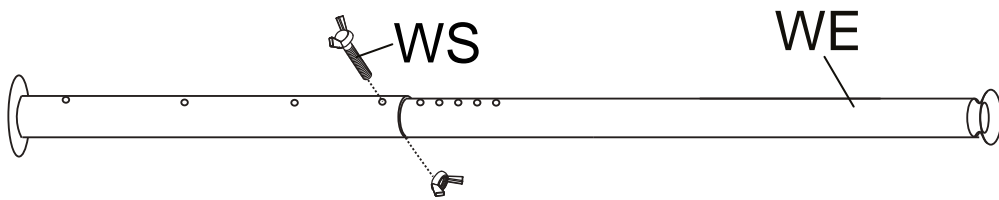
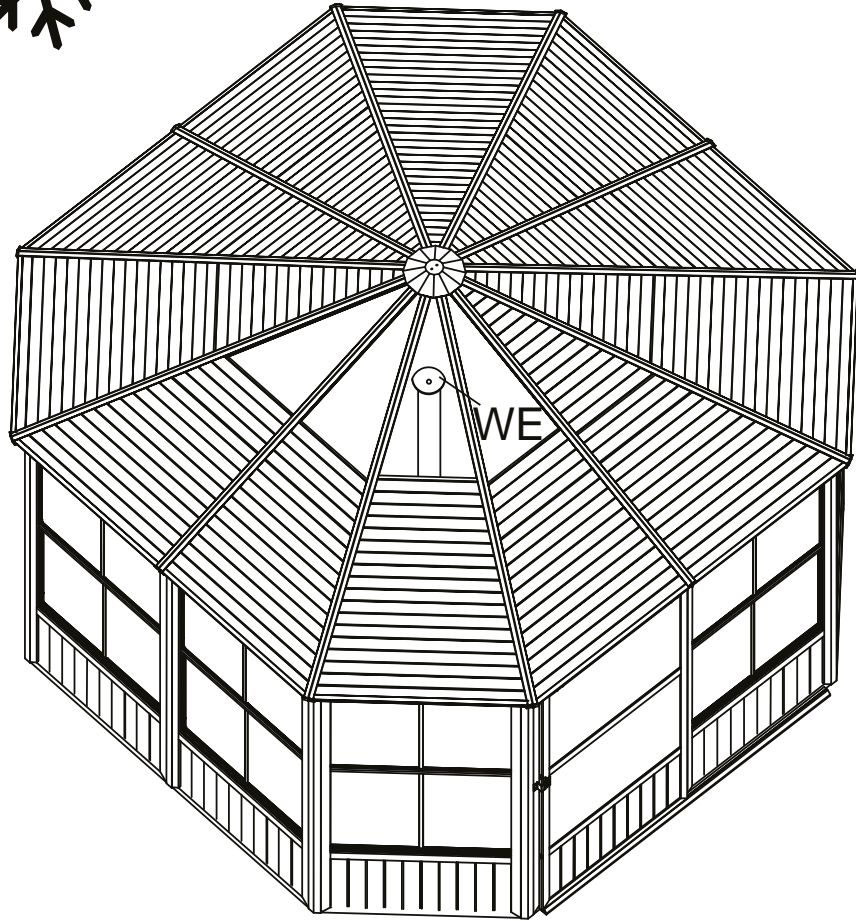
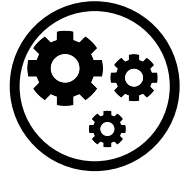


Qb x4

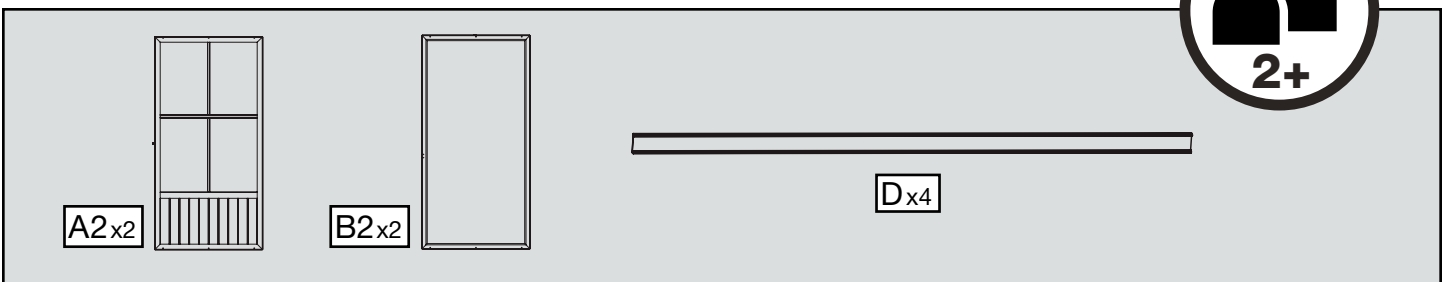
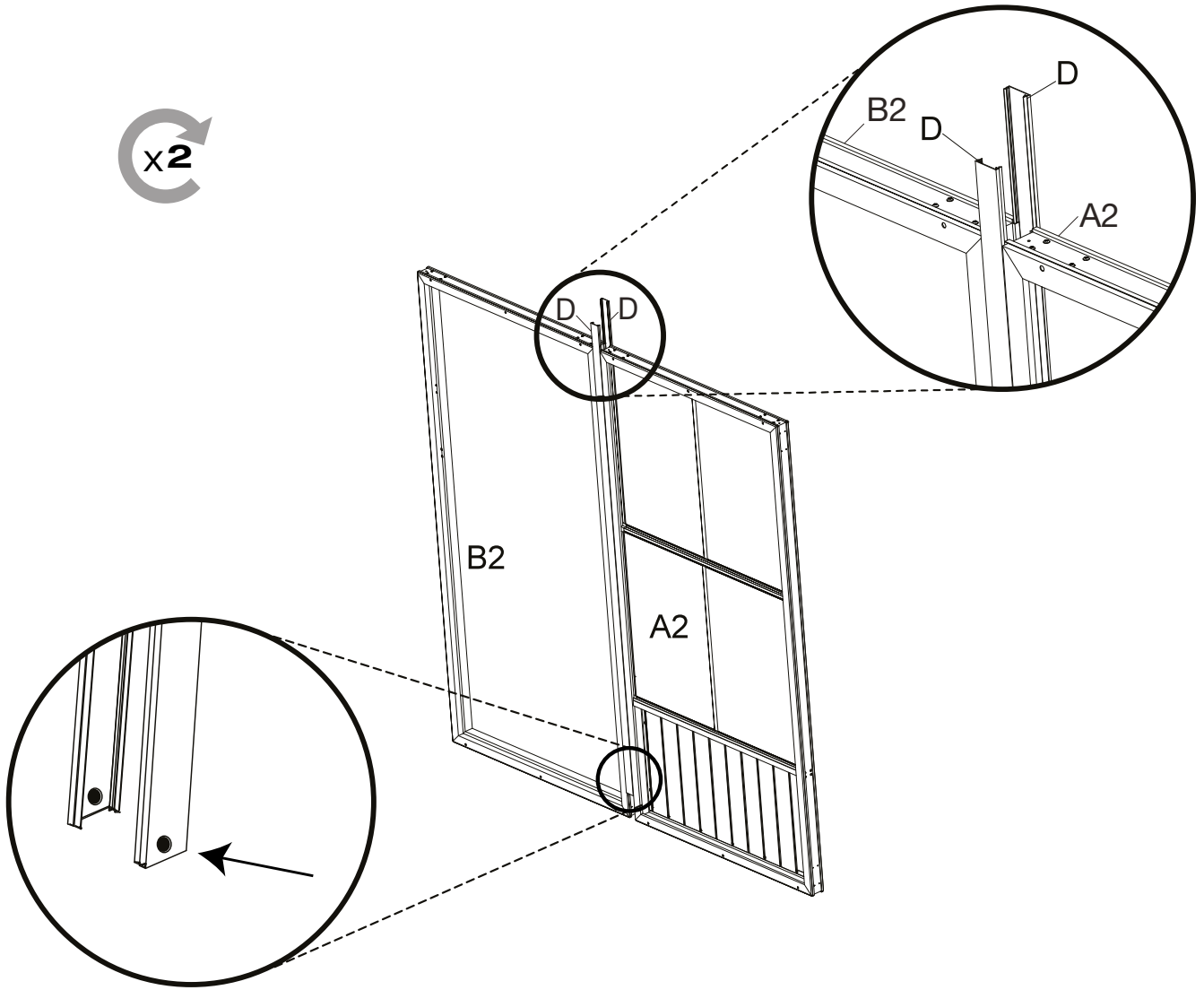


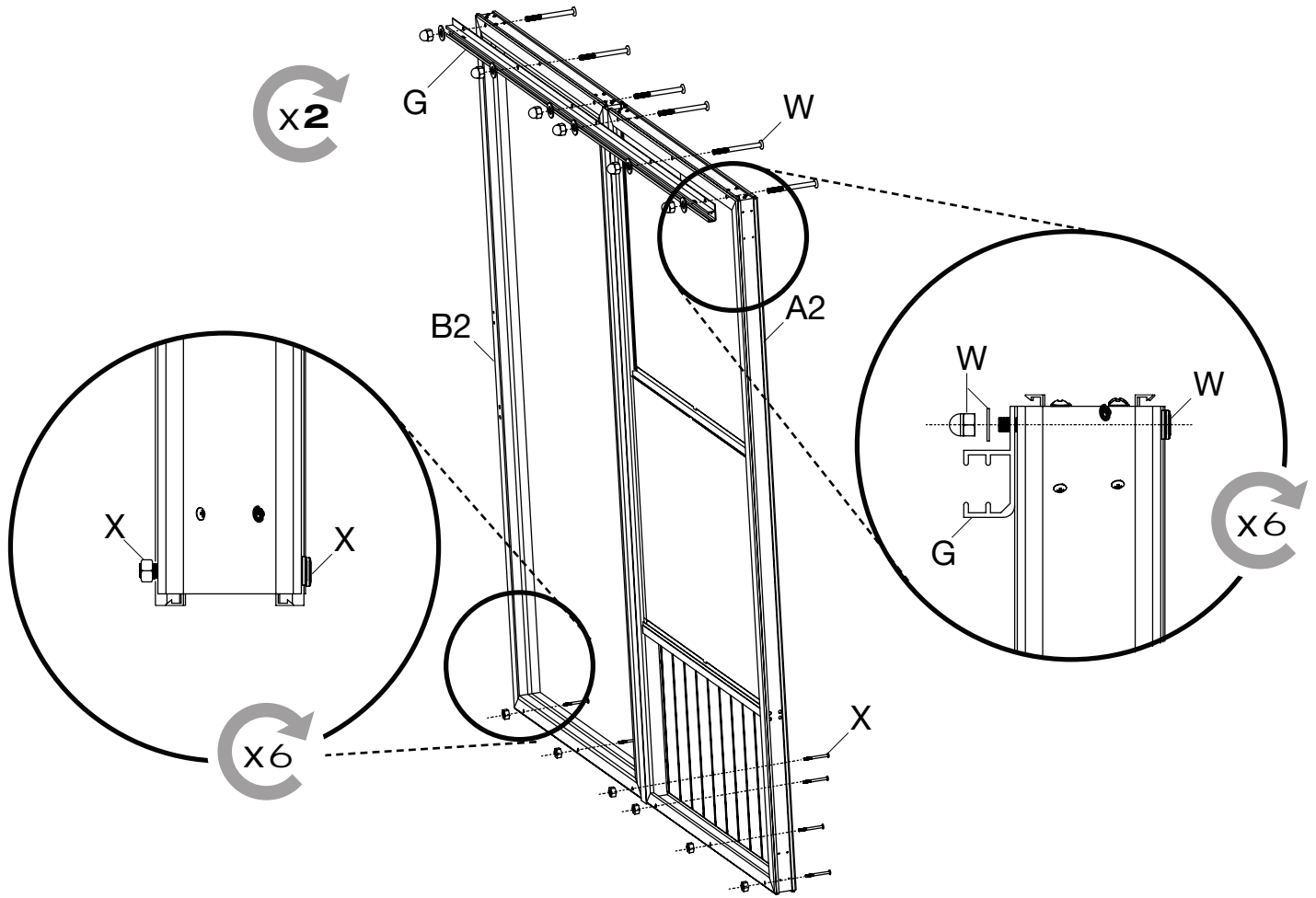
Qc x4





x2

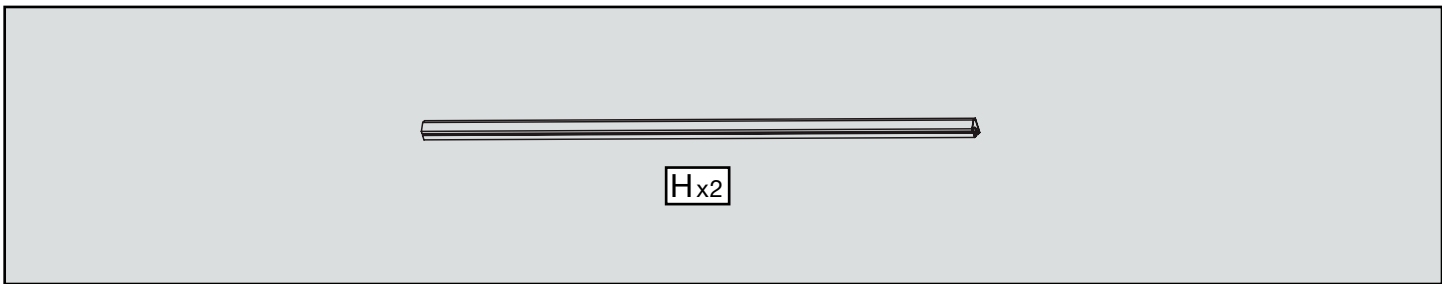
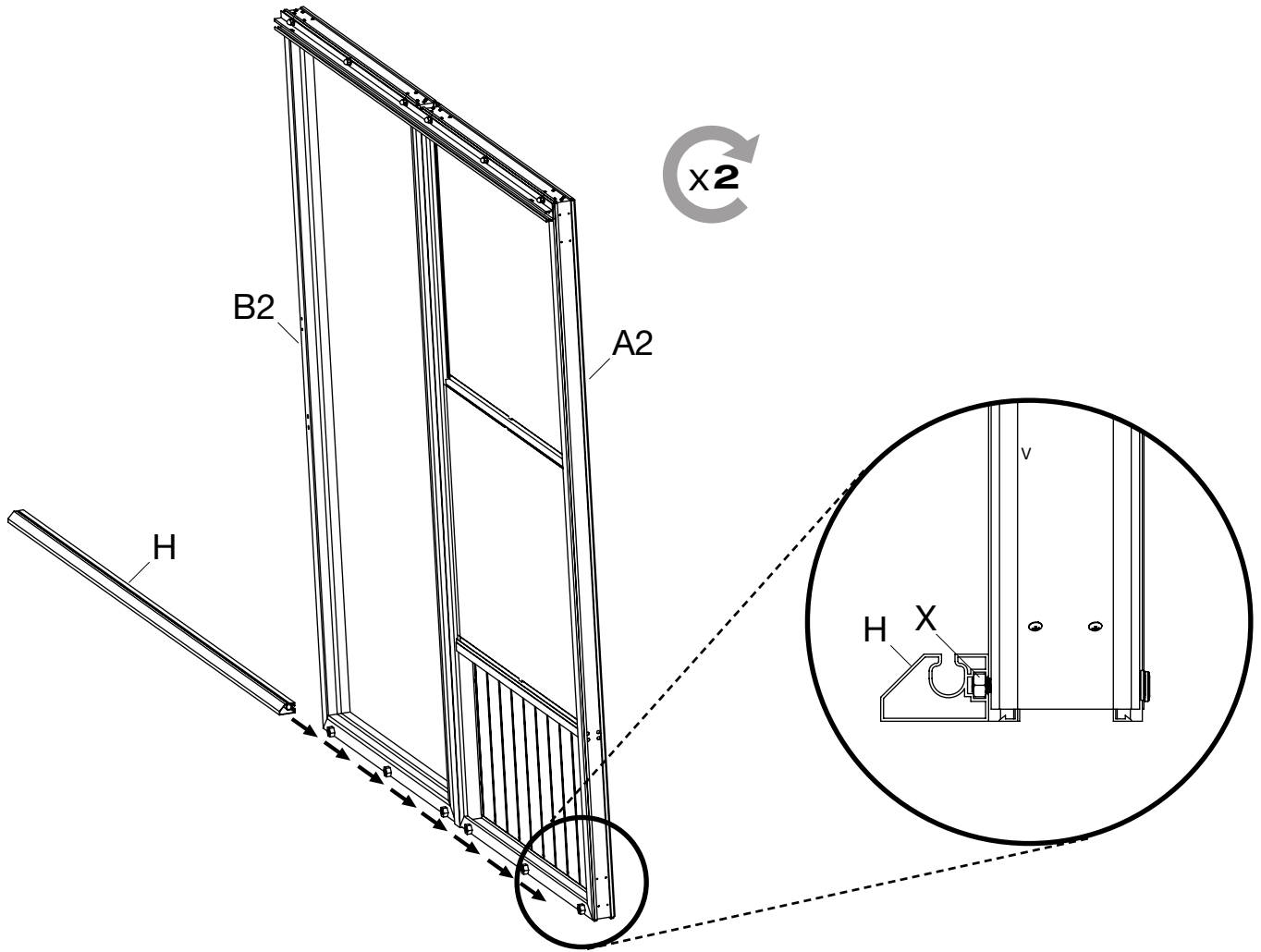


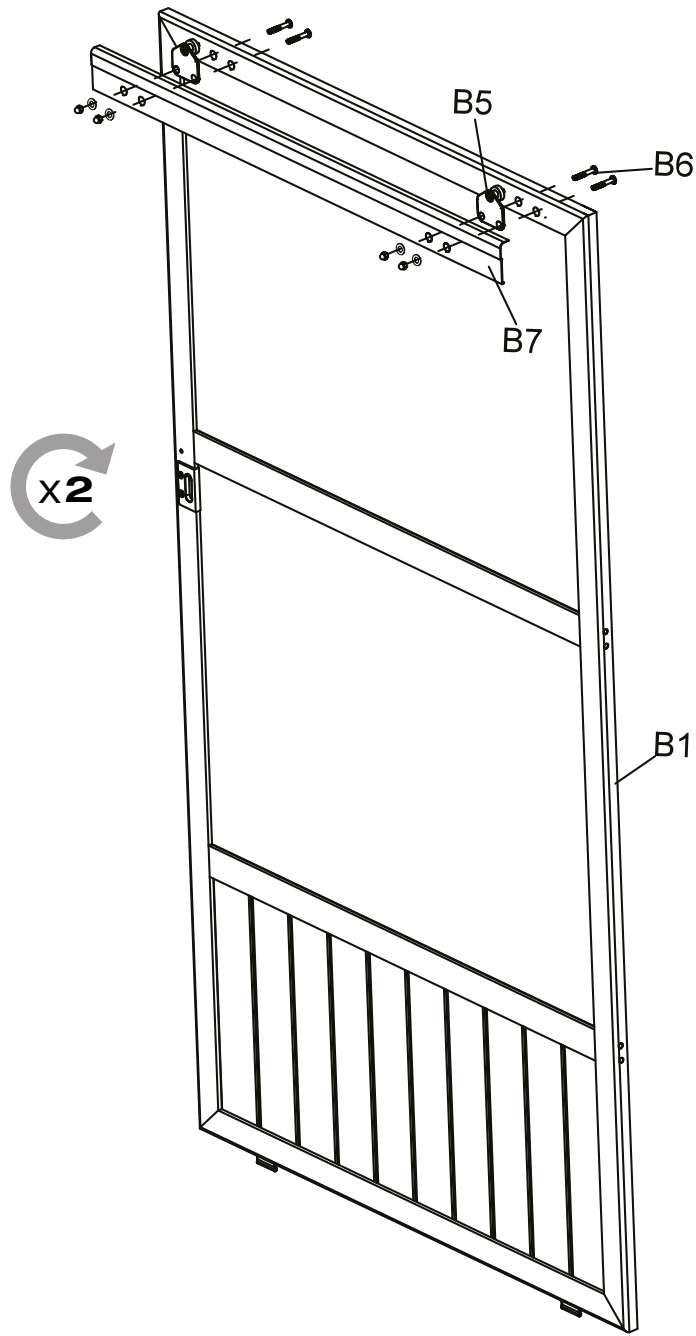


This section contains the parts list and safety instructions. The parts list includes:

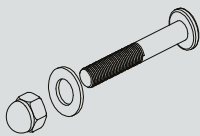
- A long horizontal rail labeled **Gx2**.
- A bolt with a washer labeled **Xx12**.
- A bolt with a washer and a nut labeled **Wx12**.

Two safety icons are present: a circular icon with two people and the number **2+**, and a circular icon with a hand and a diagonal slash, indicating that no force should be applied.

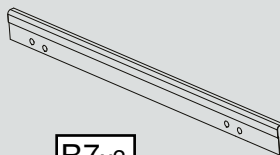




B5x4



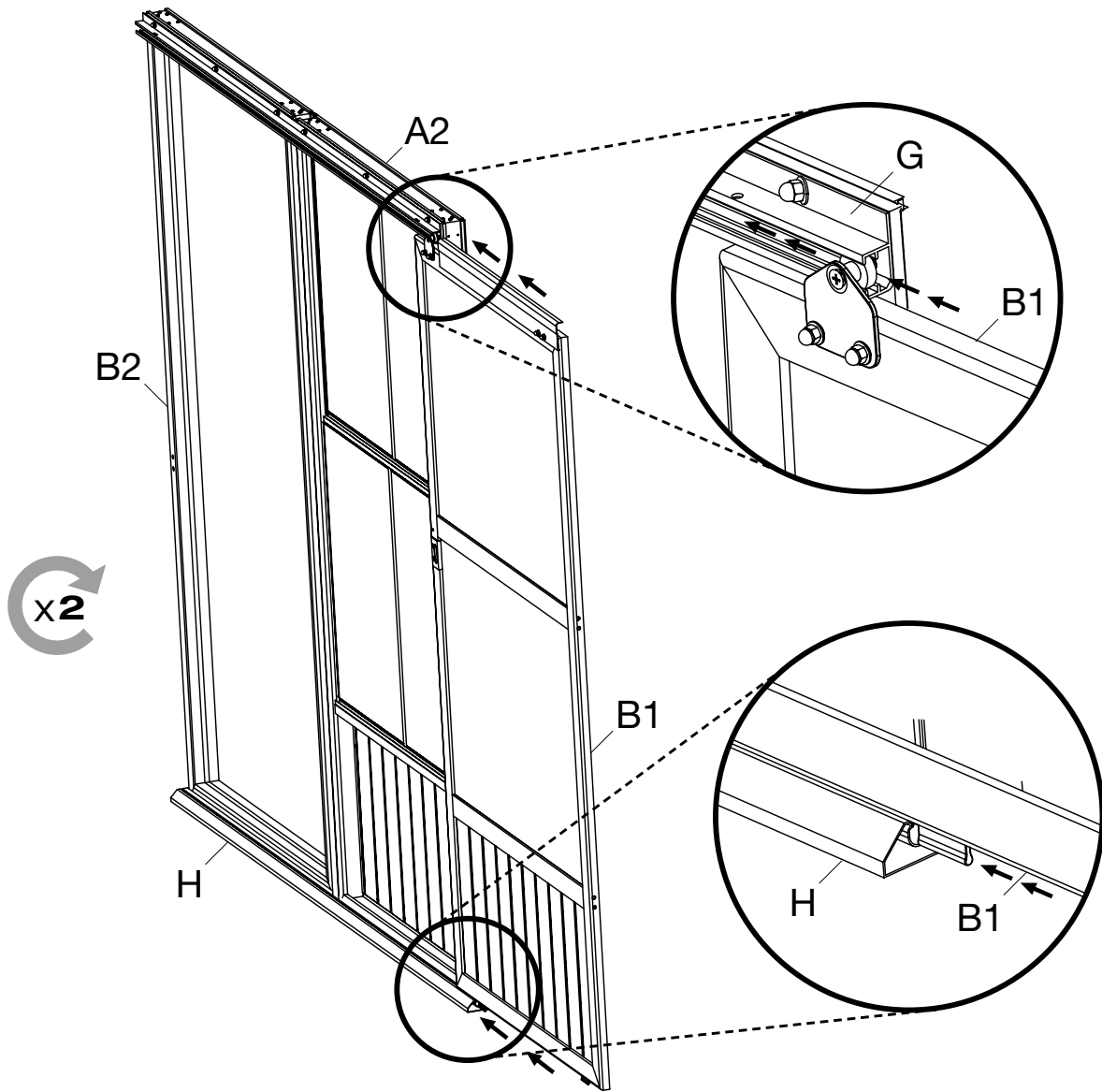
B6x8

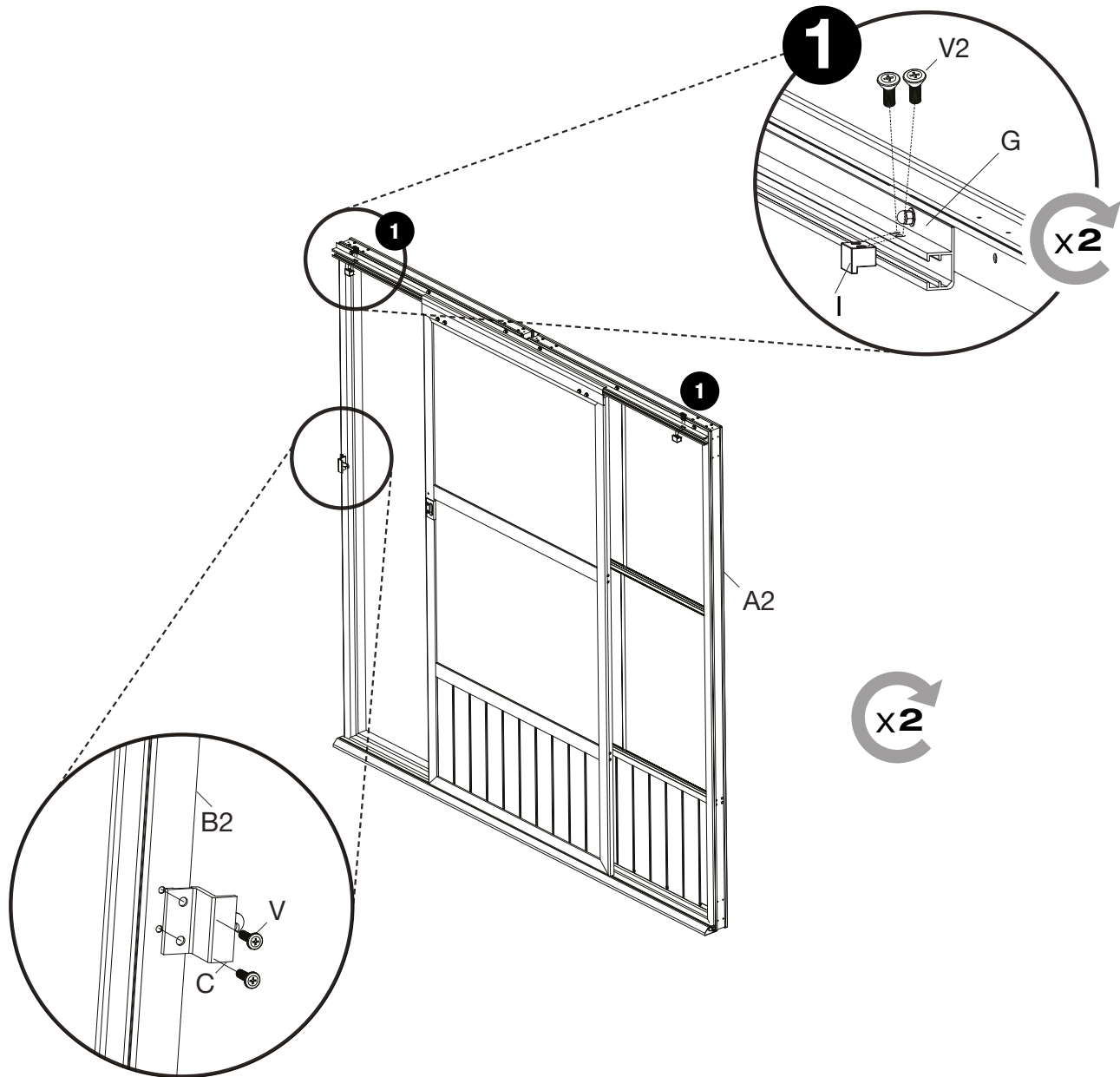


B7x2



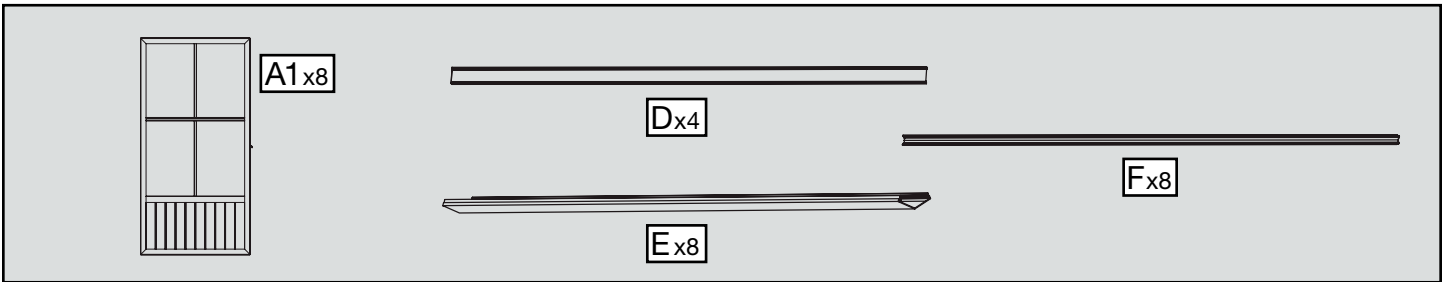
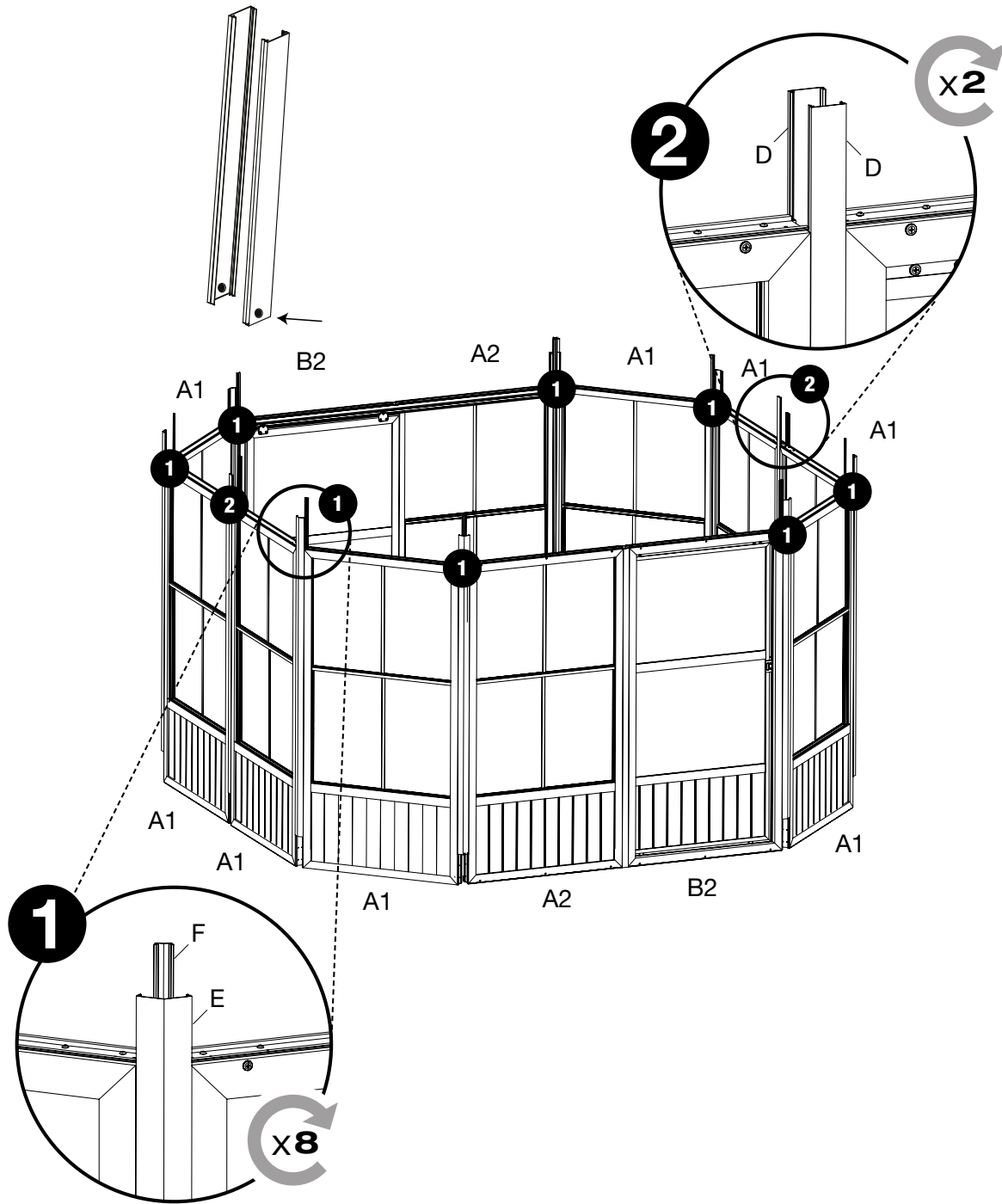
B1x2

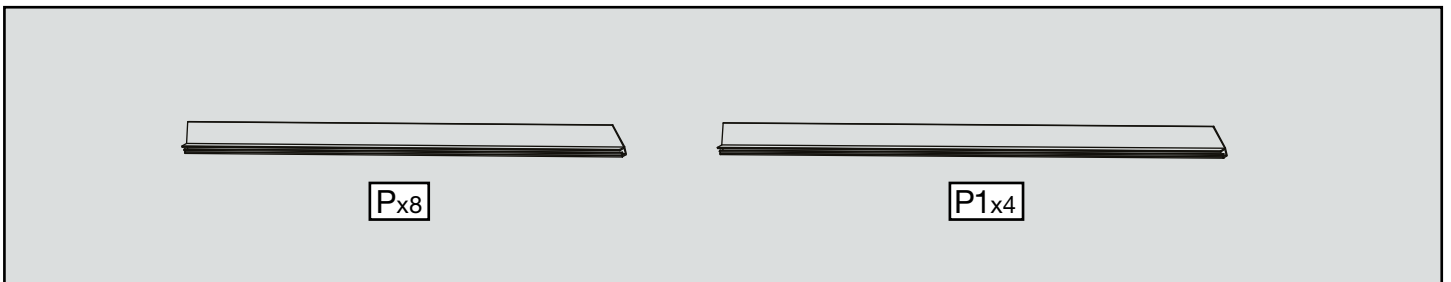
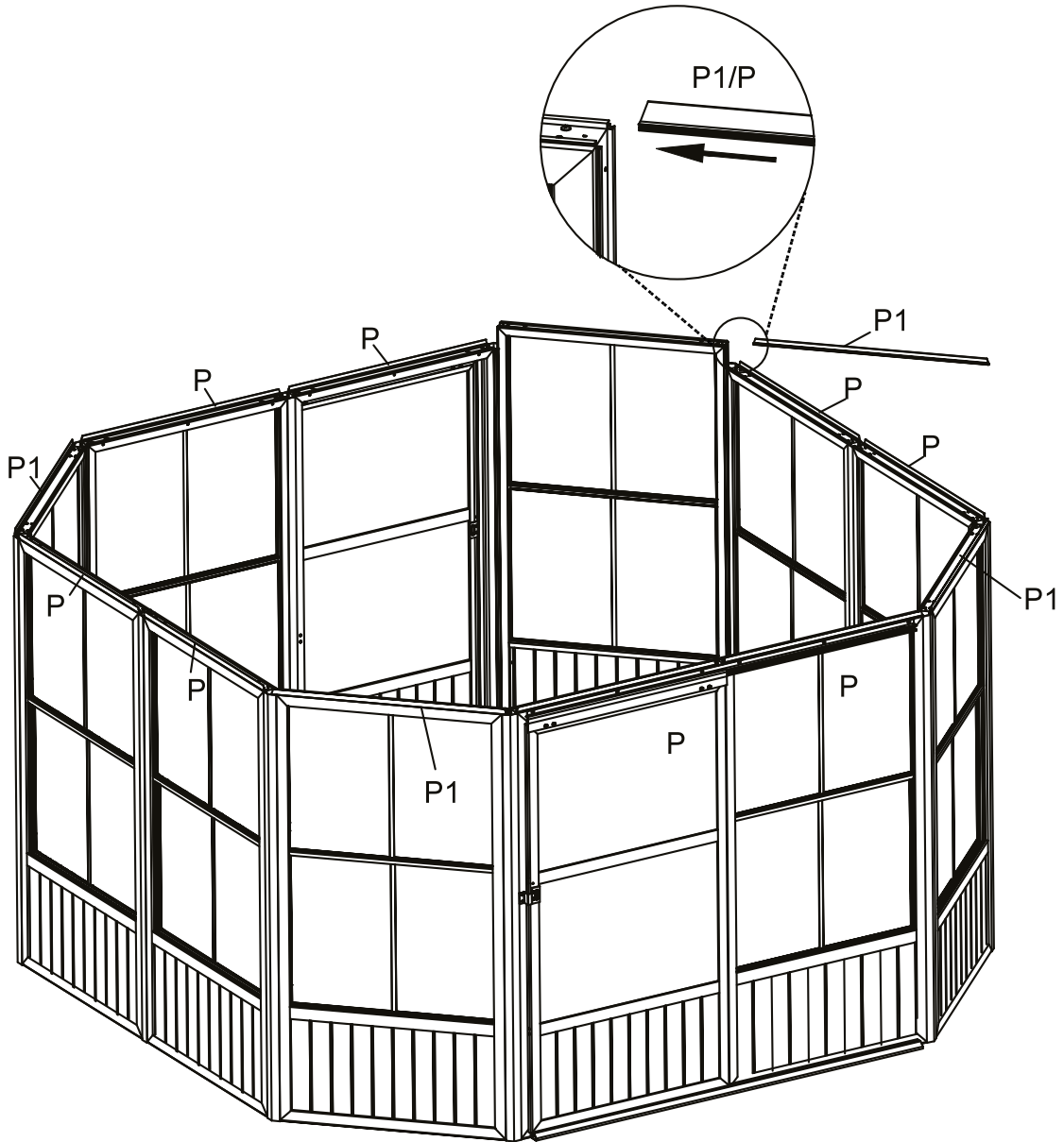


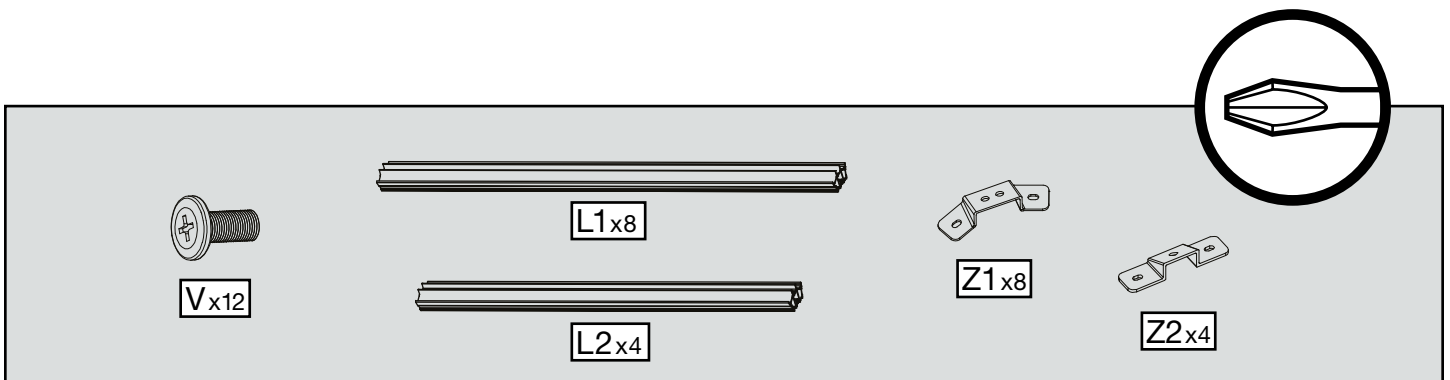
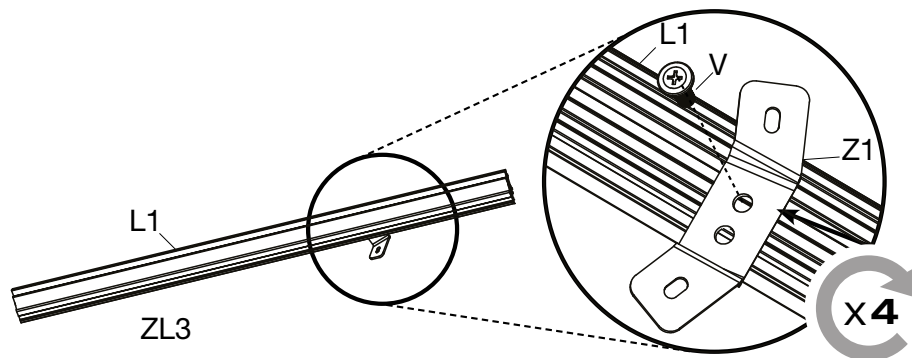
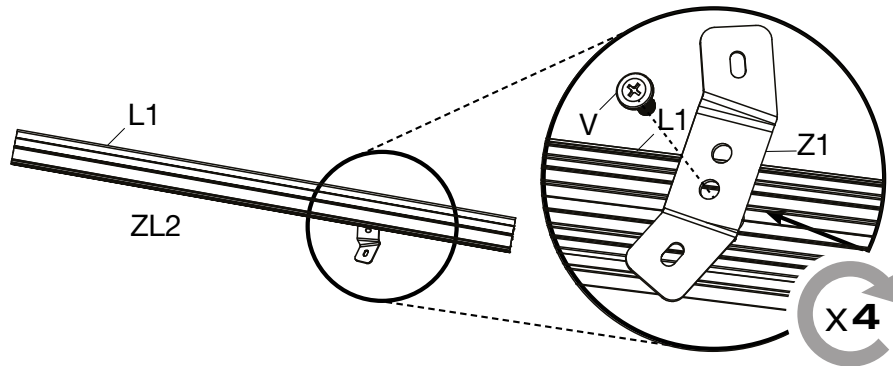
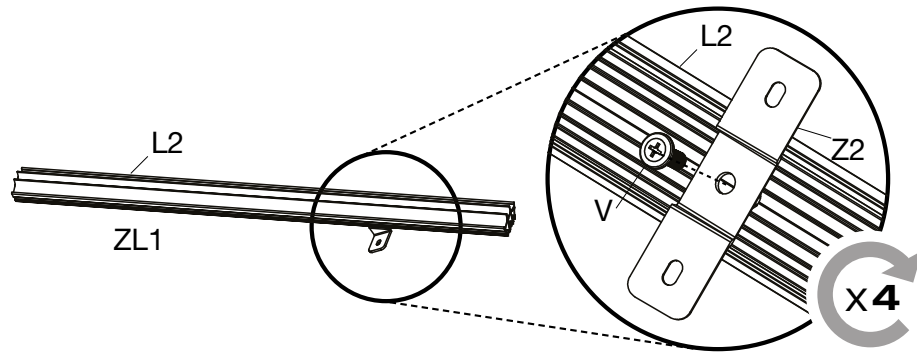


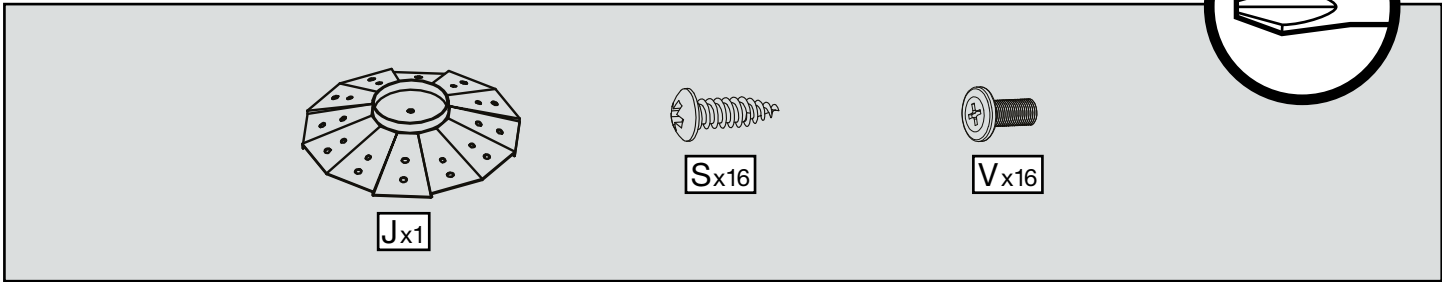
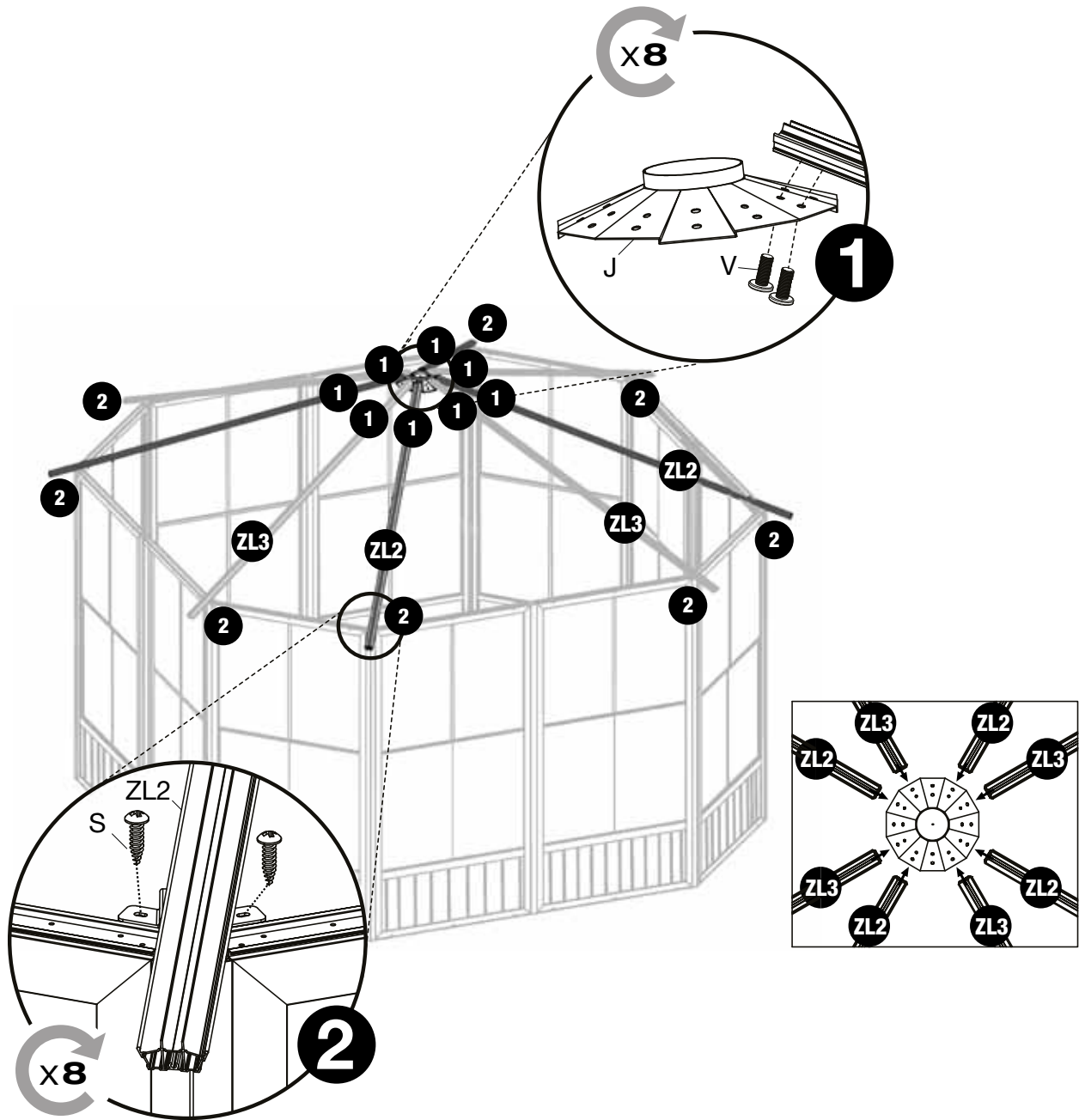
A parts list and tool icon are provided at the bottom of the page:

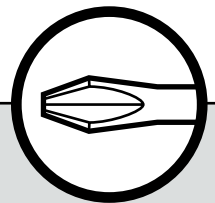
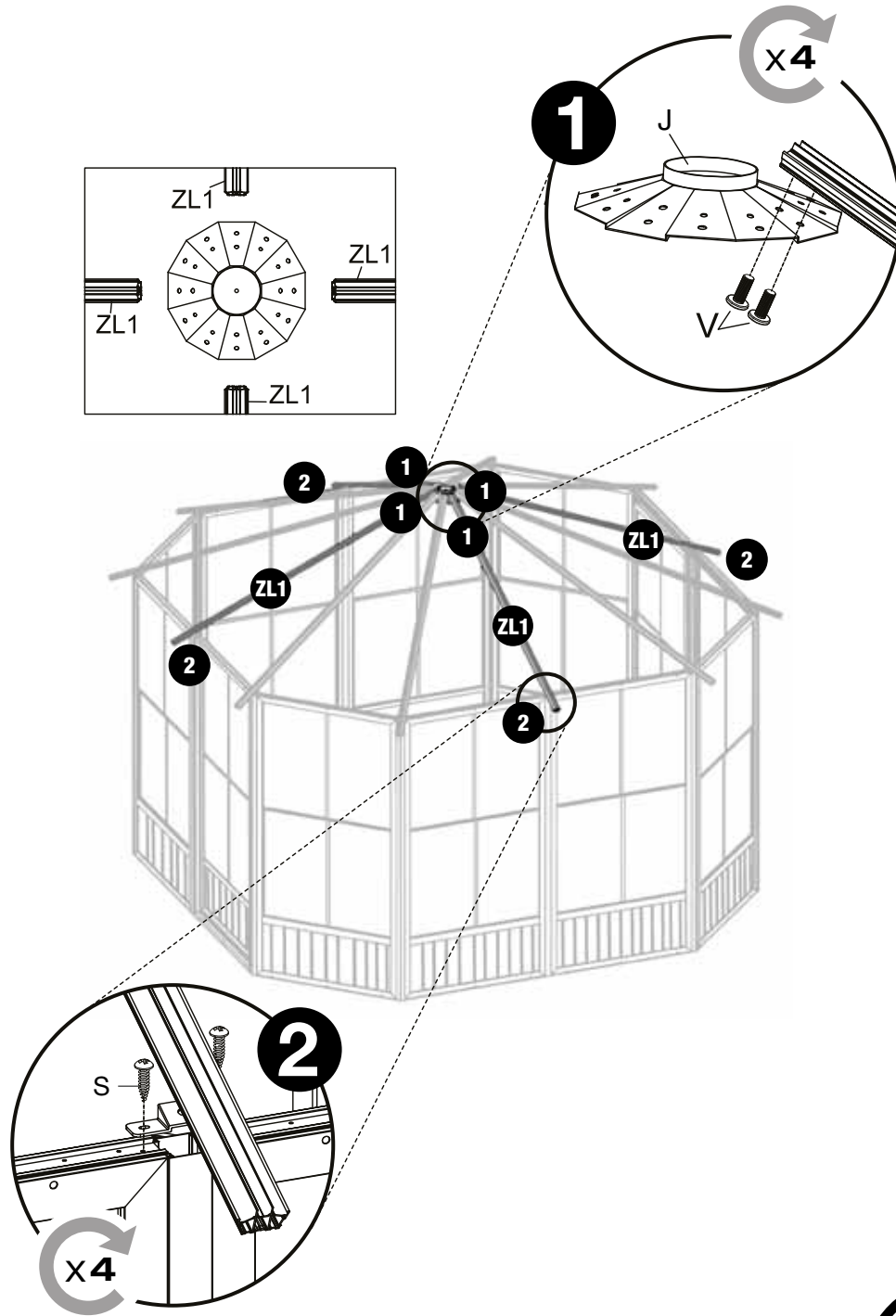
- Cx2**: A small rectangular component with a hook.
- Ix4**: A small rectangular component with two holes.
- V2x8**: A long screw with a cross-head.
- Vx4**: A shorter screw with a cross-head.
- Tool:** A screwdriver icon.

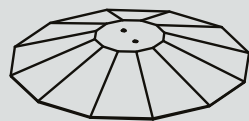
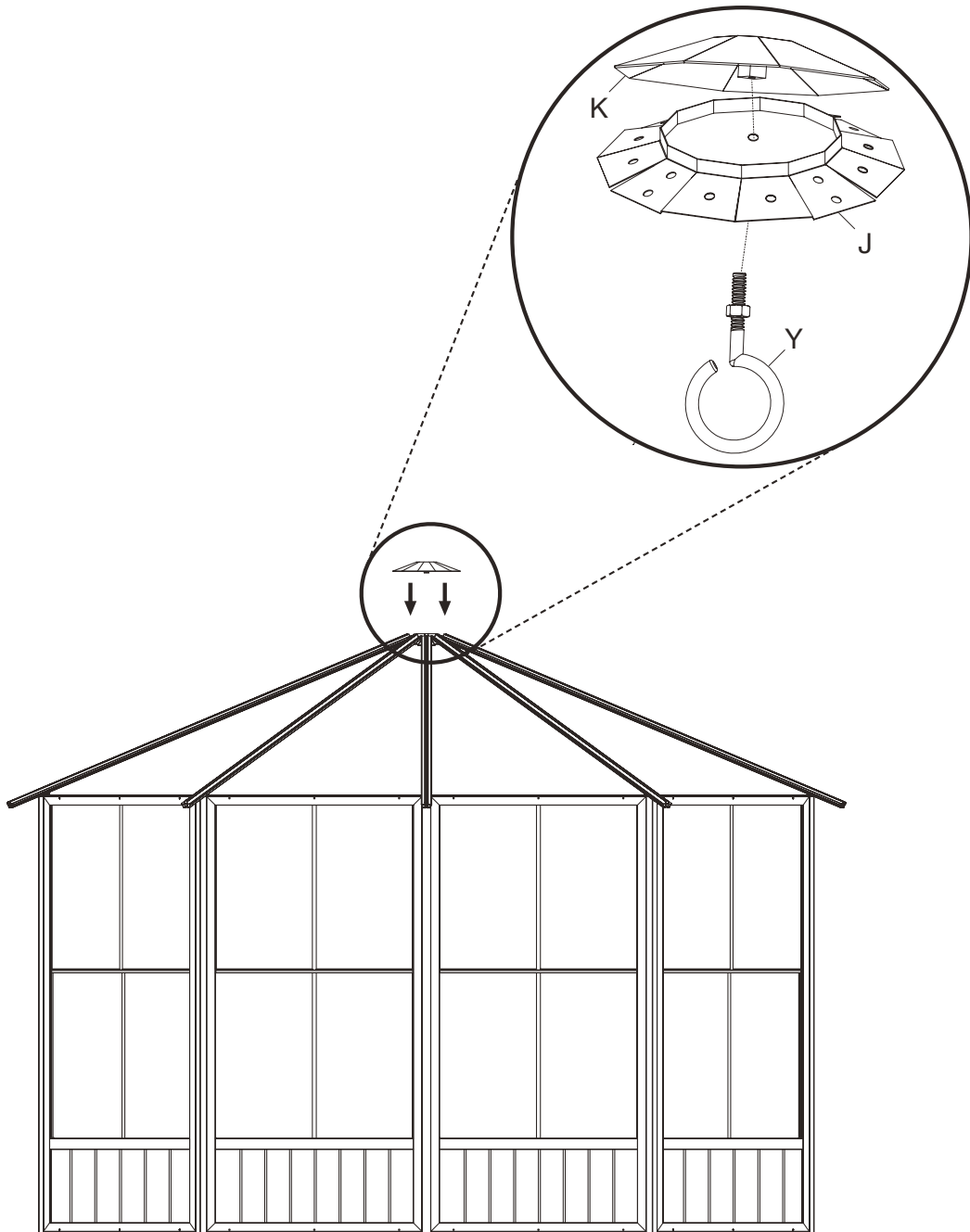








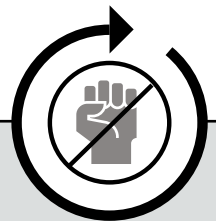


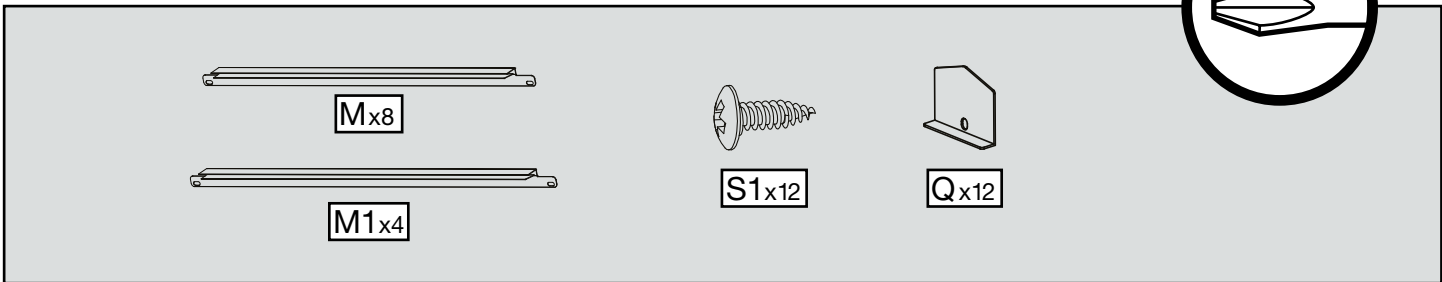
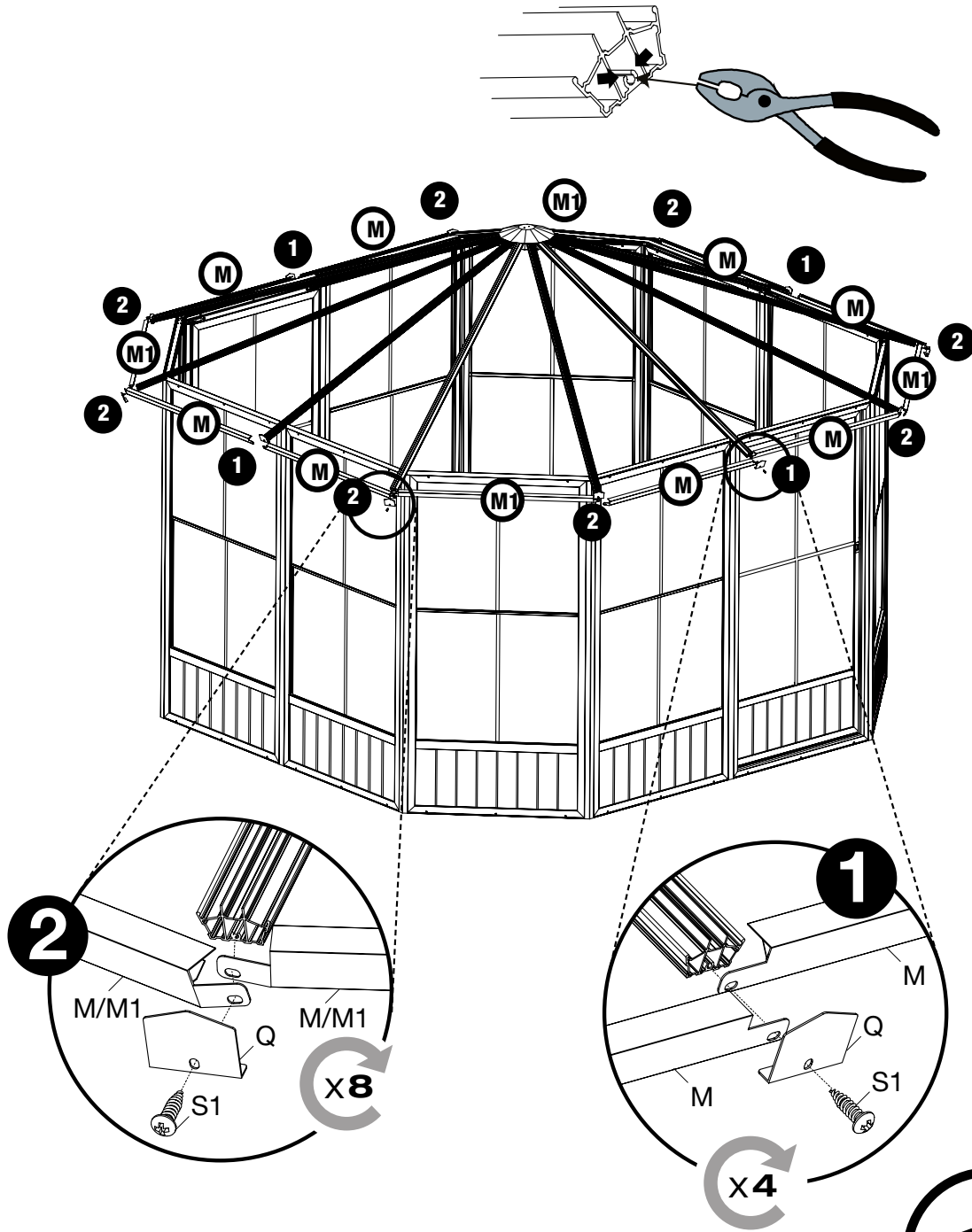


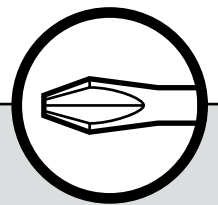
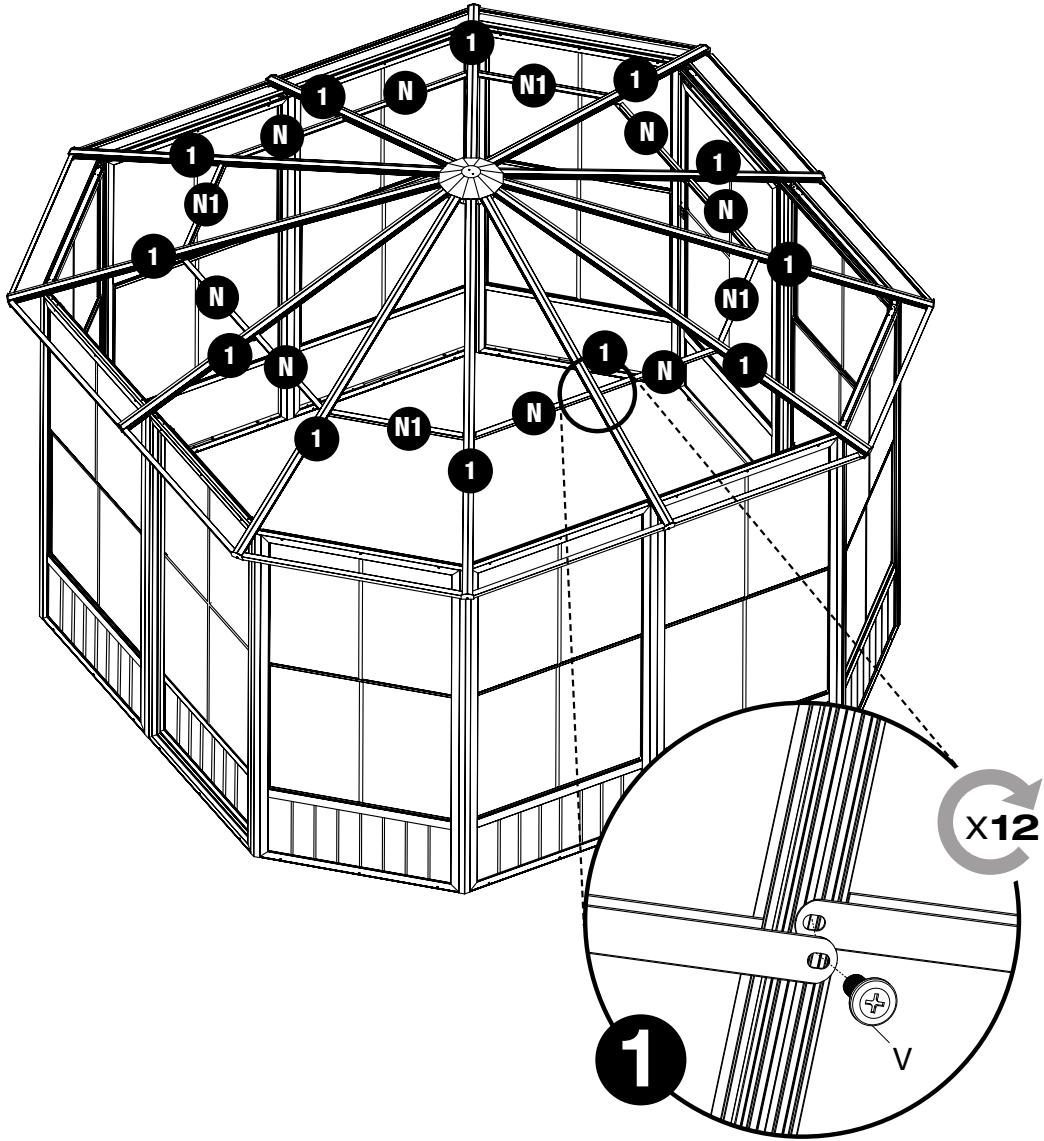
Kx1



Yx1







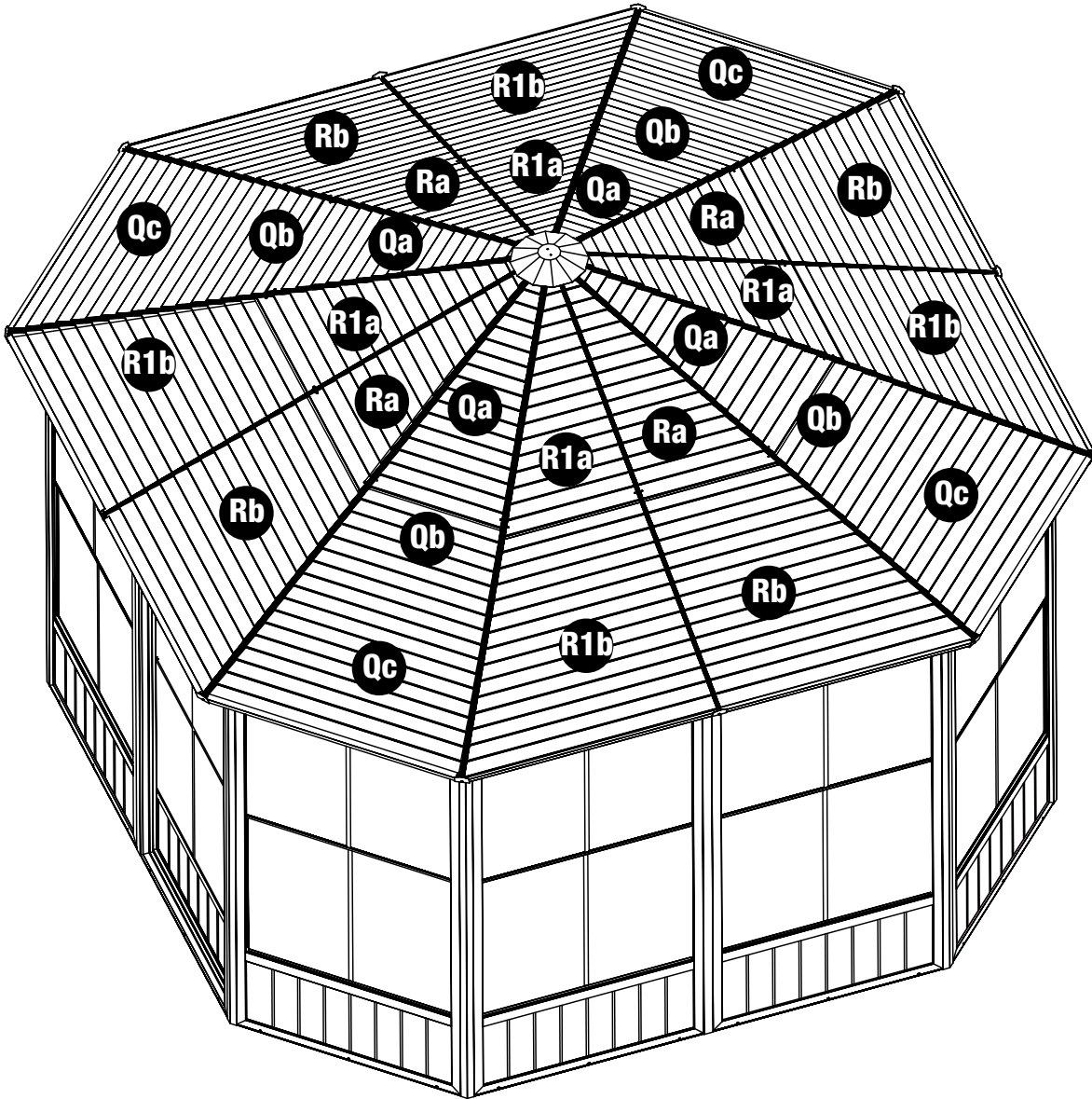
Nx8

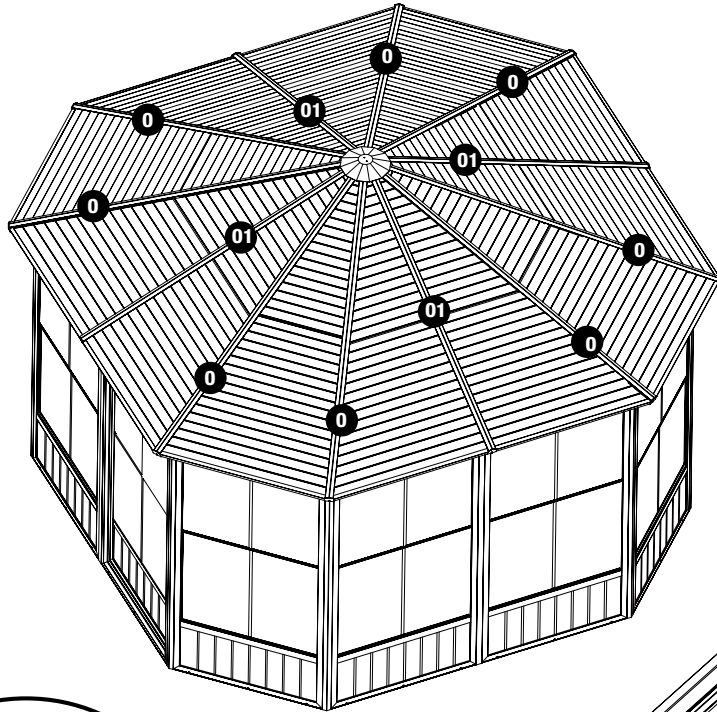


N1x4

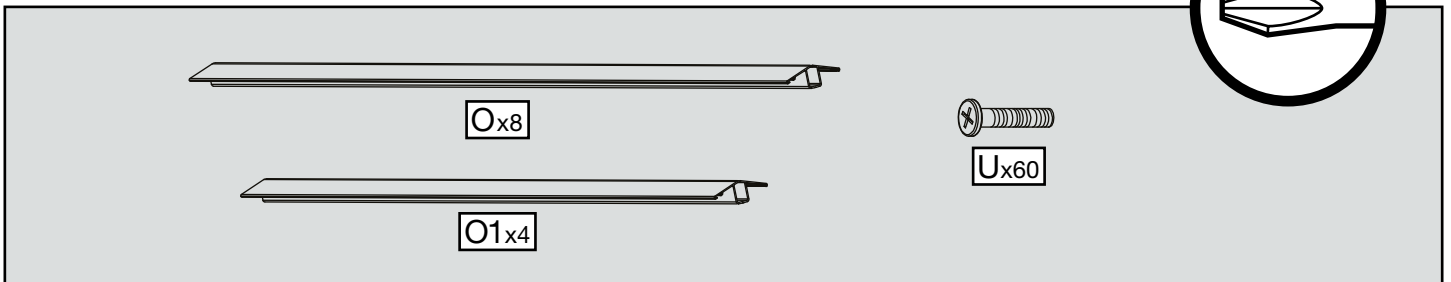
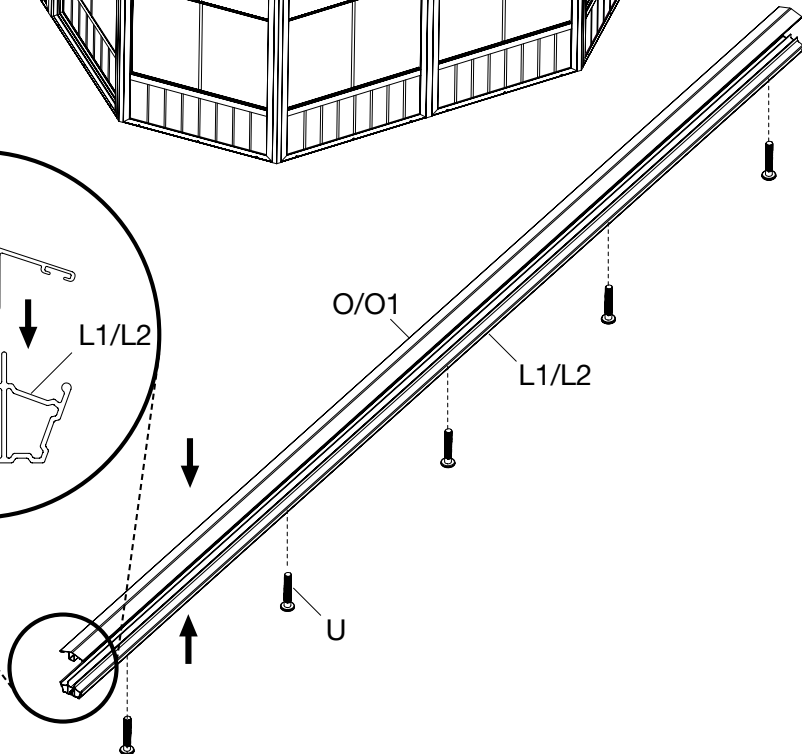
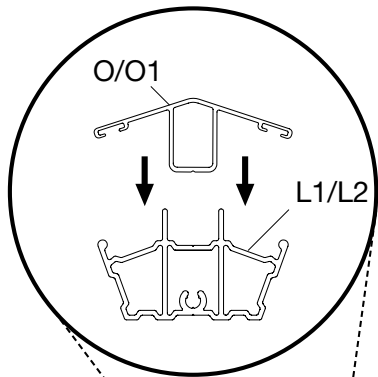


Vx12

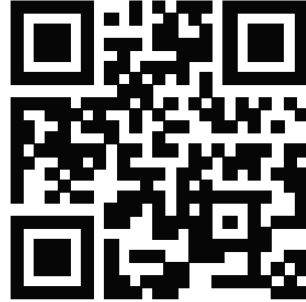
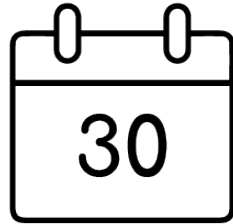




X12



Register • Enregistrer • Regístrate
온라인 등록 • Registrieren



ShelterLogic.com/product-registration

<p>50NRTH GmbH Straßburgstraße 14-16 Germany 54516 Wittlich phone +49 (0) 6571 / 95 117- 0 Fax +49 (0) 6571 / 95 117- 98 www. 50NRTH.com info@50NRTH.com</p>	A square QR code located to the right of the contact information text.
--	--

SOJAG ■ I