

SOJAG

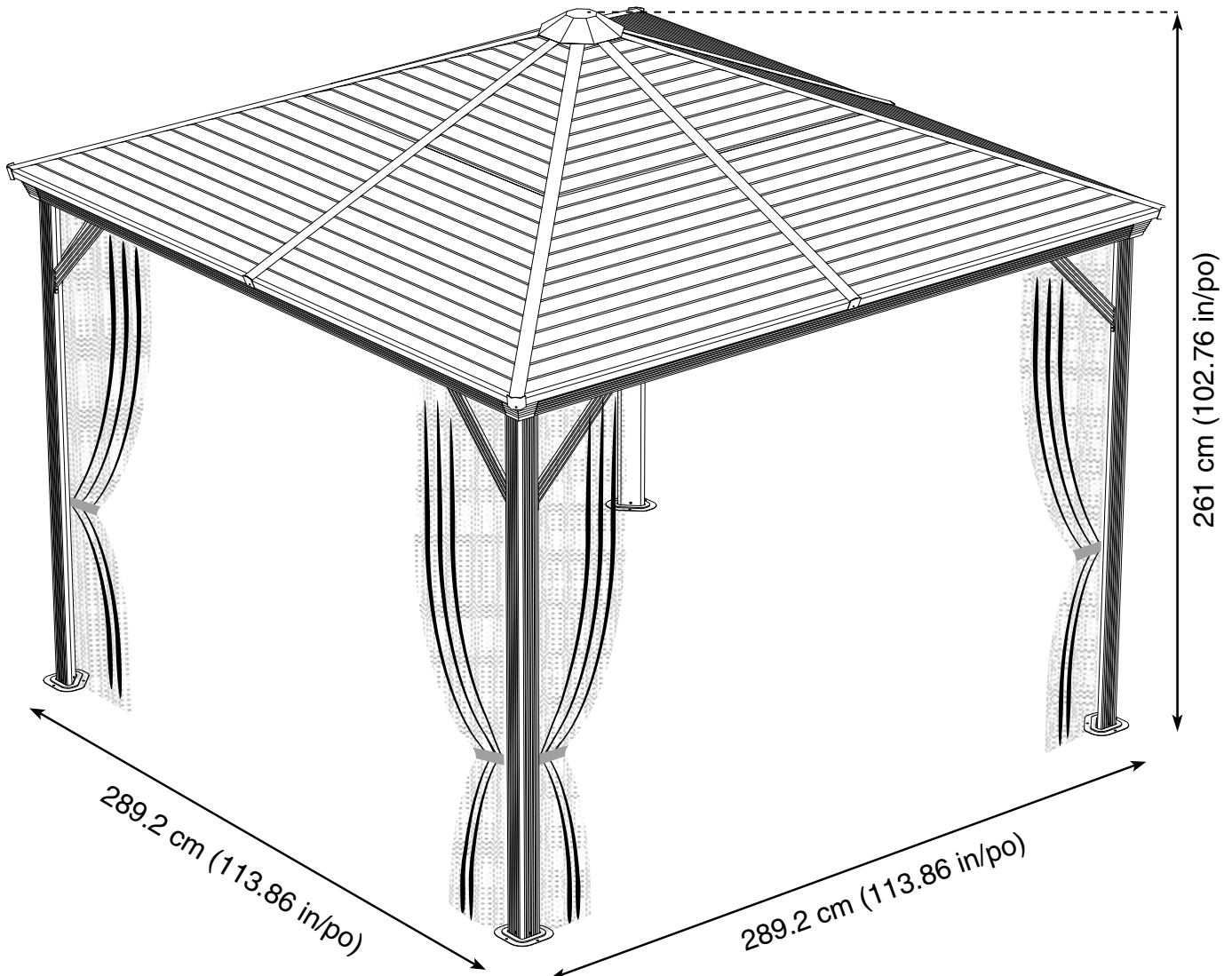
produits saisonniers • seasonal products

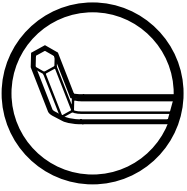


QUESTIONS? 1-866-901-1649

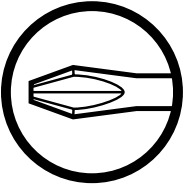
Sojag code: _____

Assembly Manual / Guide d'assemblage / Manual de ensamblaje / 조립설명서 / Montageanleitung





Use the hex keys in the box. / Utilisez les clés hexagonales fournies dans la boîte. /
Utilice las llaves hexagonales en la caja. / 상자에 육각 키를 사용 하십시오. / Verwenden Sie
die Sechskantschlüssel in der Box.



Please use a Phillips screwdriver. / Utilisez un tournevis de type Phillips / Por favor,
use un destornillador Phillips. / 십자 드라이버를 사용 하십시오. / Bitte verwenden
Sie einen Kreuzschraubenzieher.



You may need to use a drill for this step. / Vous pouvez avoir besoin d'utiliser une
perceuse pour cette étape. / Puede que tenga que utilizar un taladro para este paso. /
이 단계에선 드릴을 사용해야 할 수도 있습니다. / Für diesen Schritt können Sie einen
Bohrer verwenden.



Wearing protective gloves is recommended. / Le port de gants de protection est recommandé /
El uso de guantes de protección se recomienda. / 보호 장갑을 착용 하는 것이 좋습니다. /
Das Tragen von Schutzhandschuhen wird empfohlen.



Two or more people are required at this stage. / Deux personnes ou plus sont nécessaires à cette
étape. / Dos o más personas se requieren en esta etapa. / 이 단계에서는 두 명 이상 이 필요합니다. /
Für diesen Bauschritt sind 2 oder mehr Personen erforderlich.

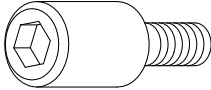


Do not tighten screws all the way for now. / Ne pas visser fermement pour l'instant. /
No atornille con firmeza por ahora. / 아직 나사를 단단히 조이지 마십시오. / Bitte die
Schrauben zum jetzigen Zeitpunkt noch nicht fest anziehen.

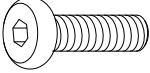


Sold separately. / Vendus séparément. / vendido en las opciones. /
옵션 판매 / Optional erhältlich

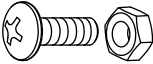
T X 8 (+2)



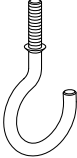
U X 16 (+2)



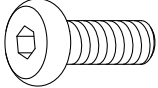
U1 X 32 (+6)



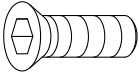
U2 X 1(+1)



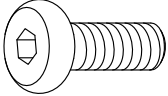
V X 60 (+5)



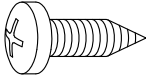
V1 X 16 (+2)



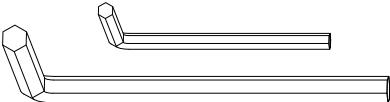
V2 X 16 (+2)




W X 24 (+3)



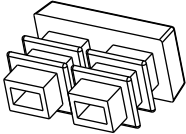
Y X 1

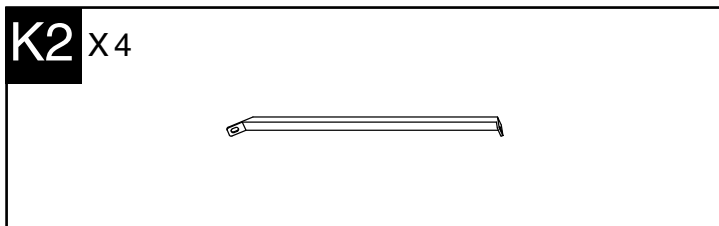
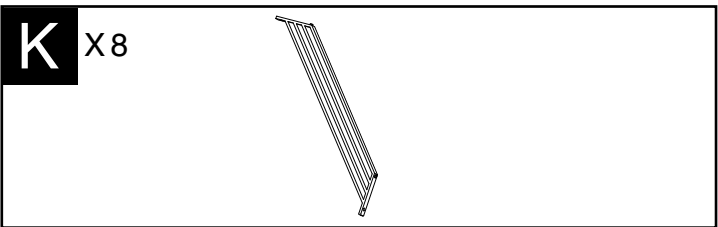
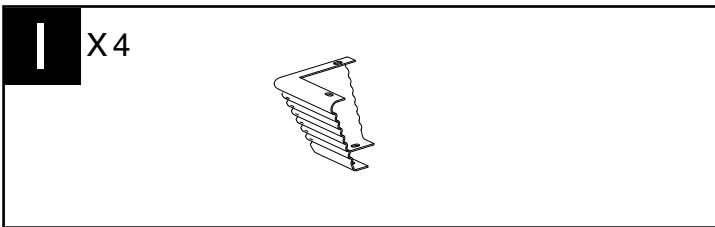
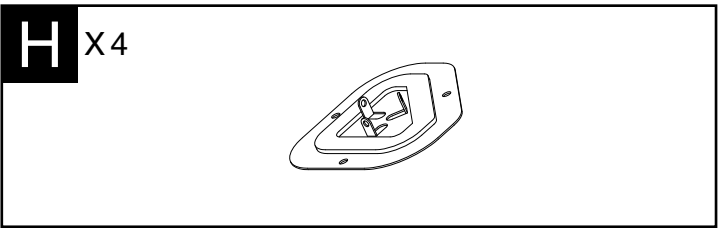
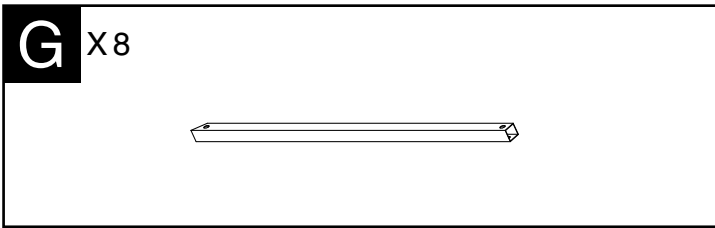
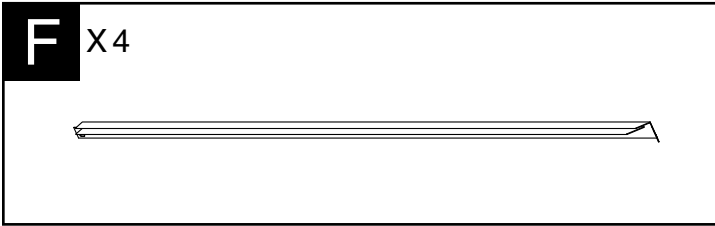
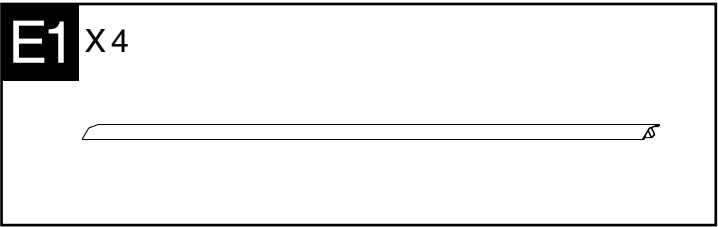
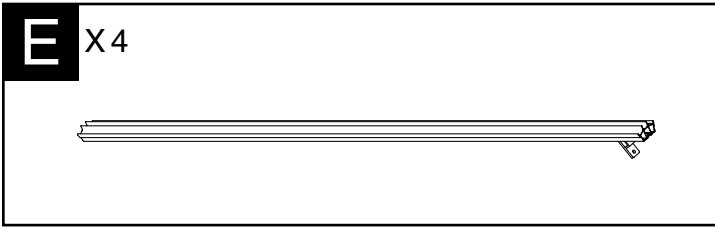
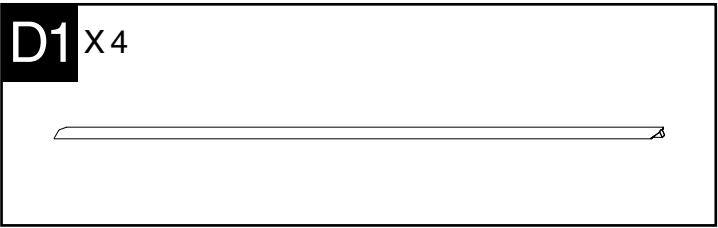
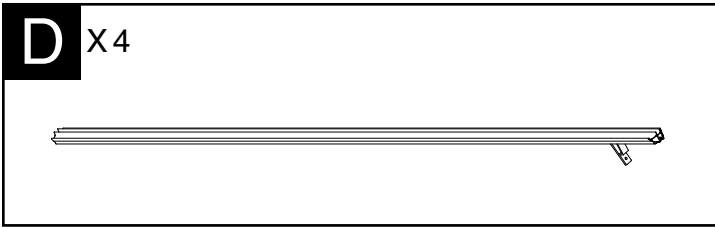
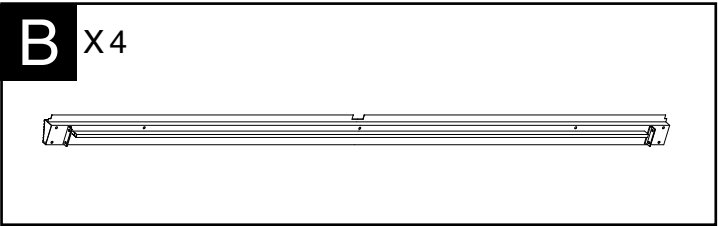


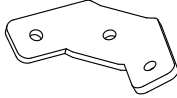
Y1 X 36 (+4)

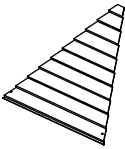
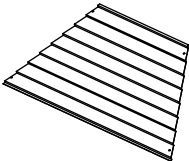
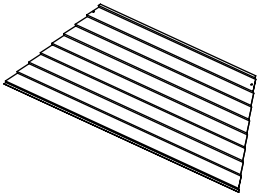


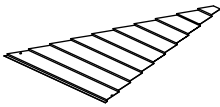
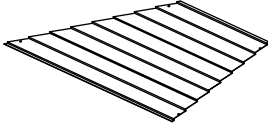
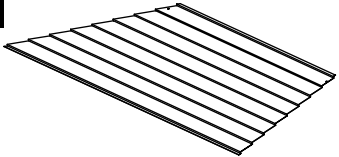
Z2 X4 (+1)

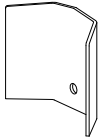
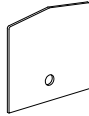


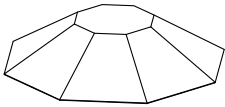
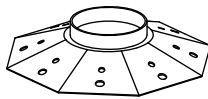




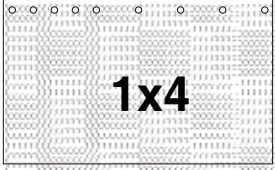
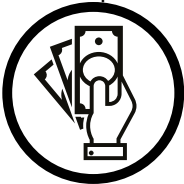
M3 X4 	M4 X4 
---	---

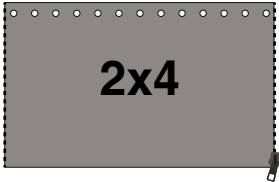
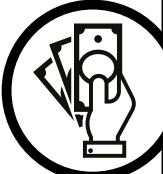
N X4 	N1 X4 	N2 X4 
--	---	---

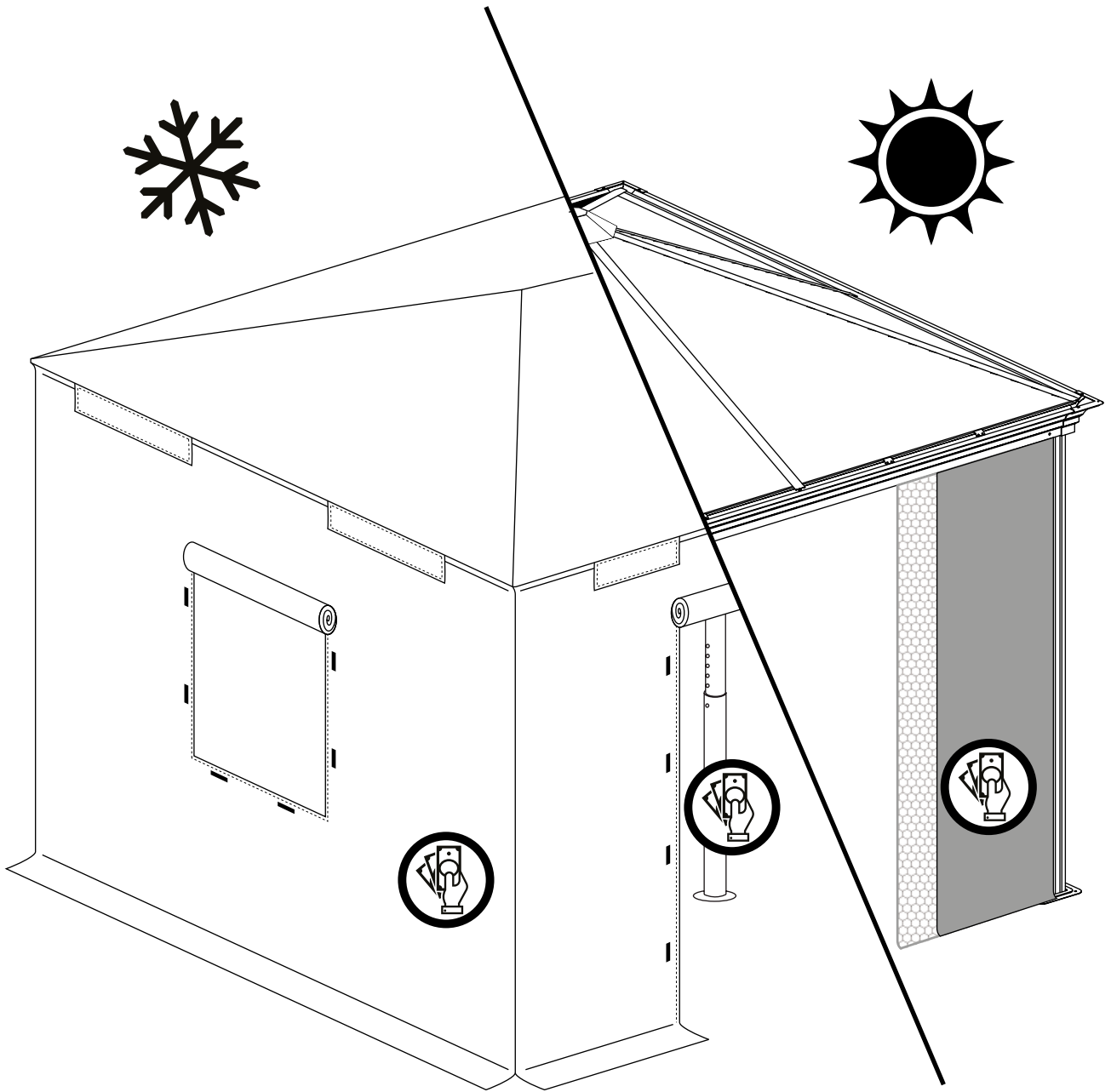
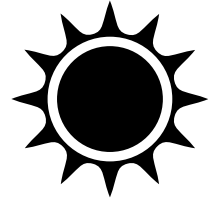
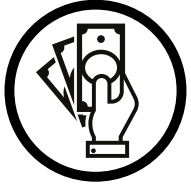
O X4 	O1 X4 	O2 X4 
--	---	---

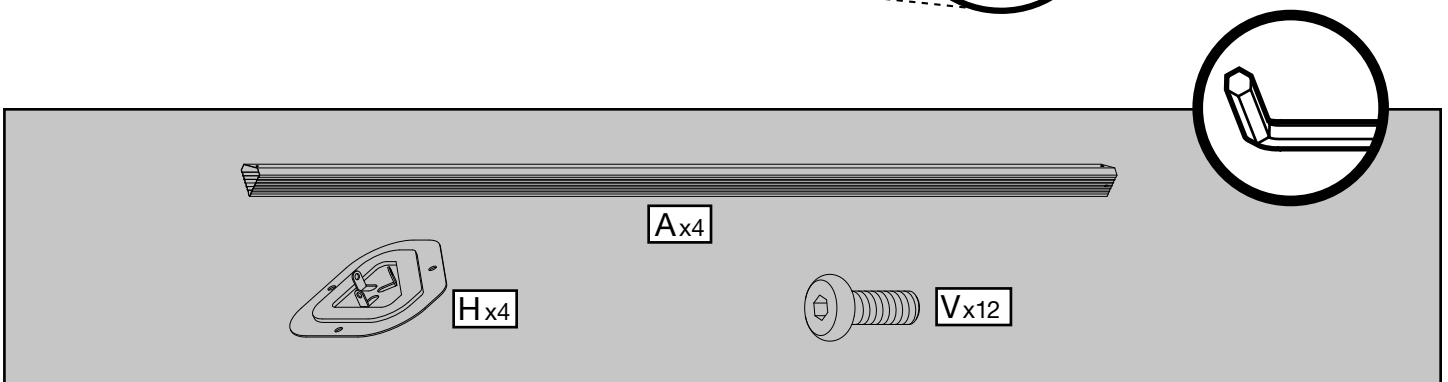
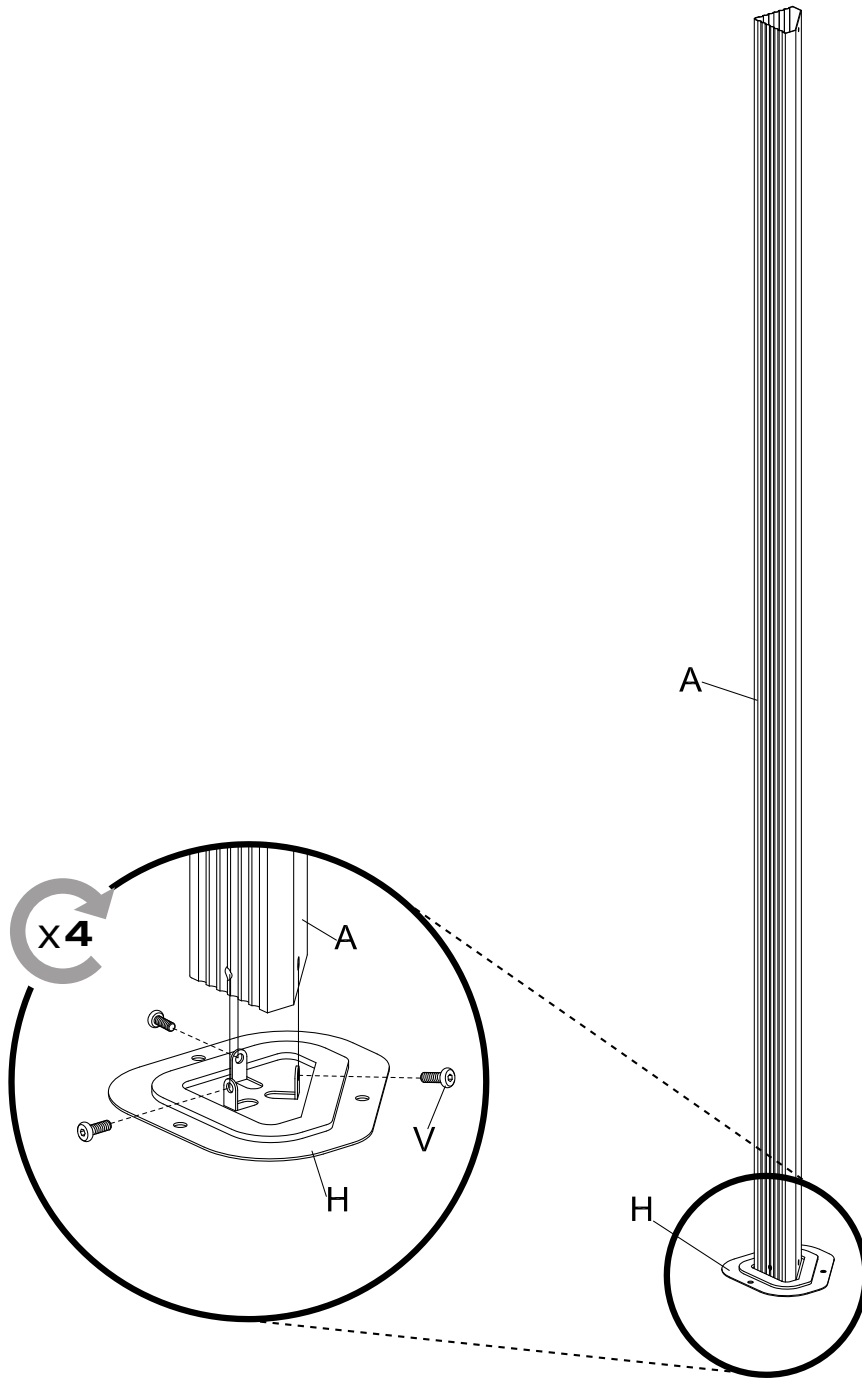
Q X4 	R X4 
--	--

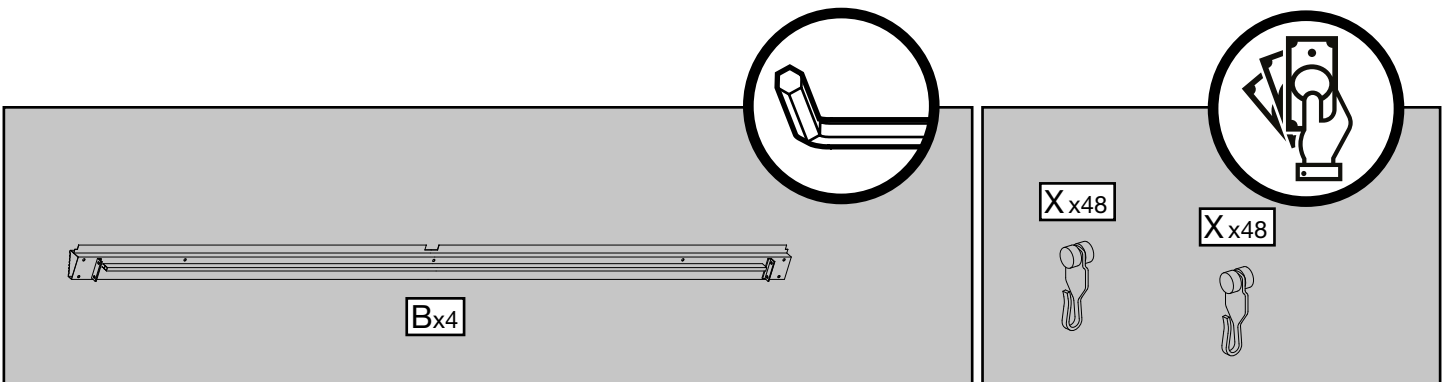
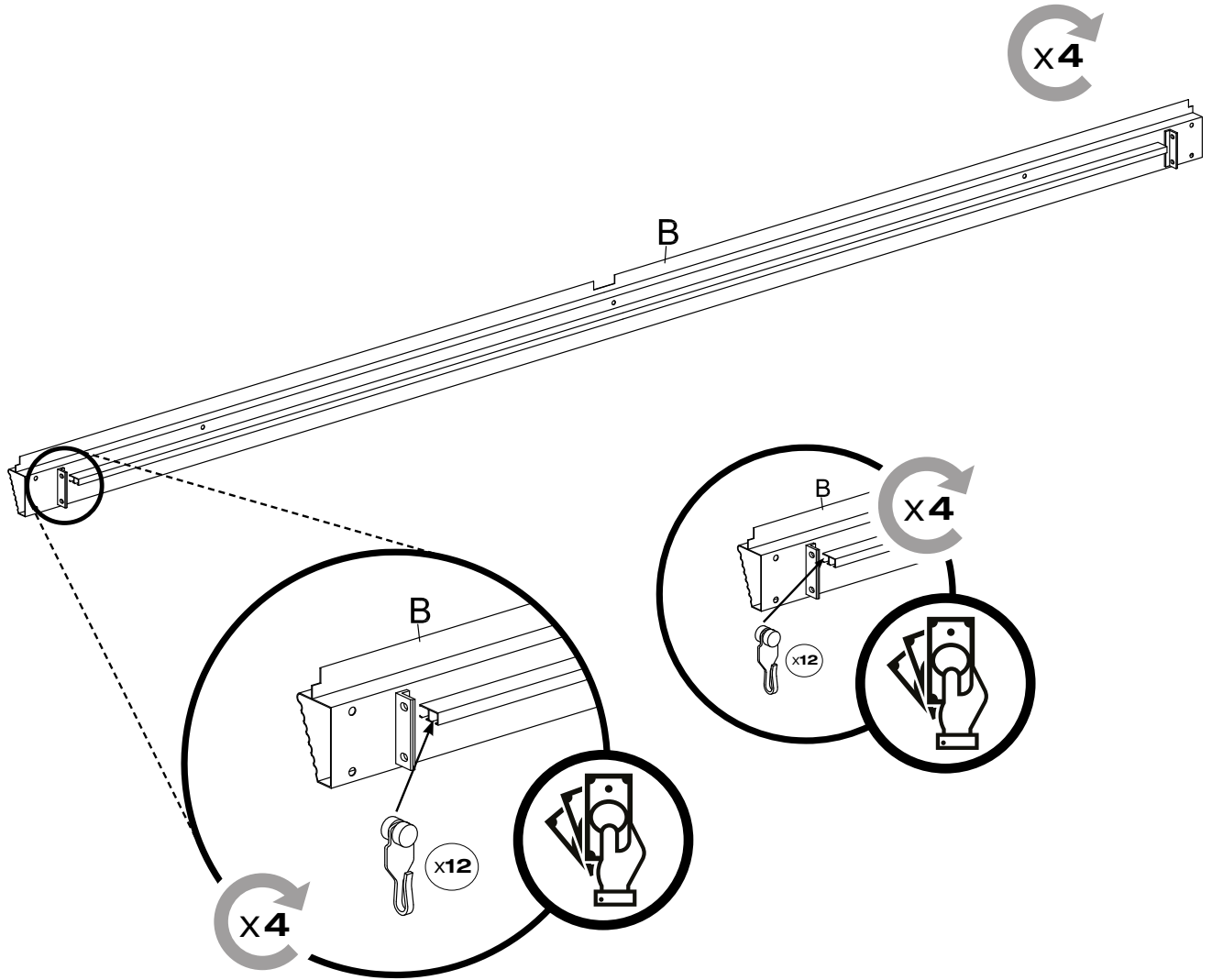
S X1 	S1 X1 
--	---

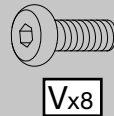
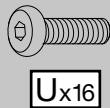
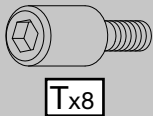
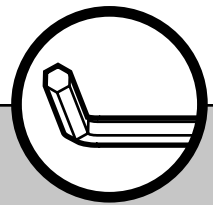
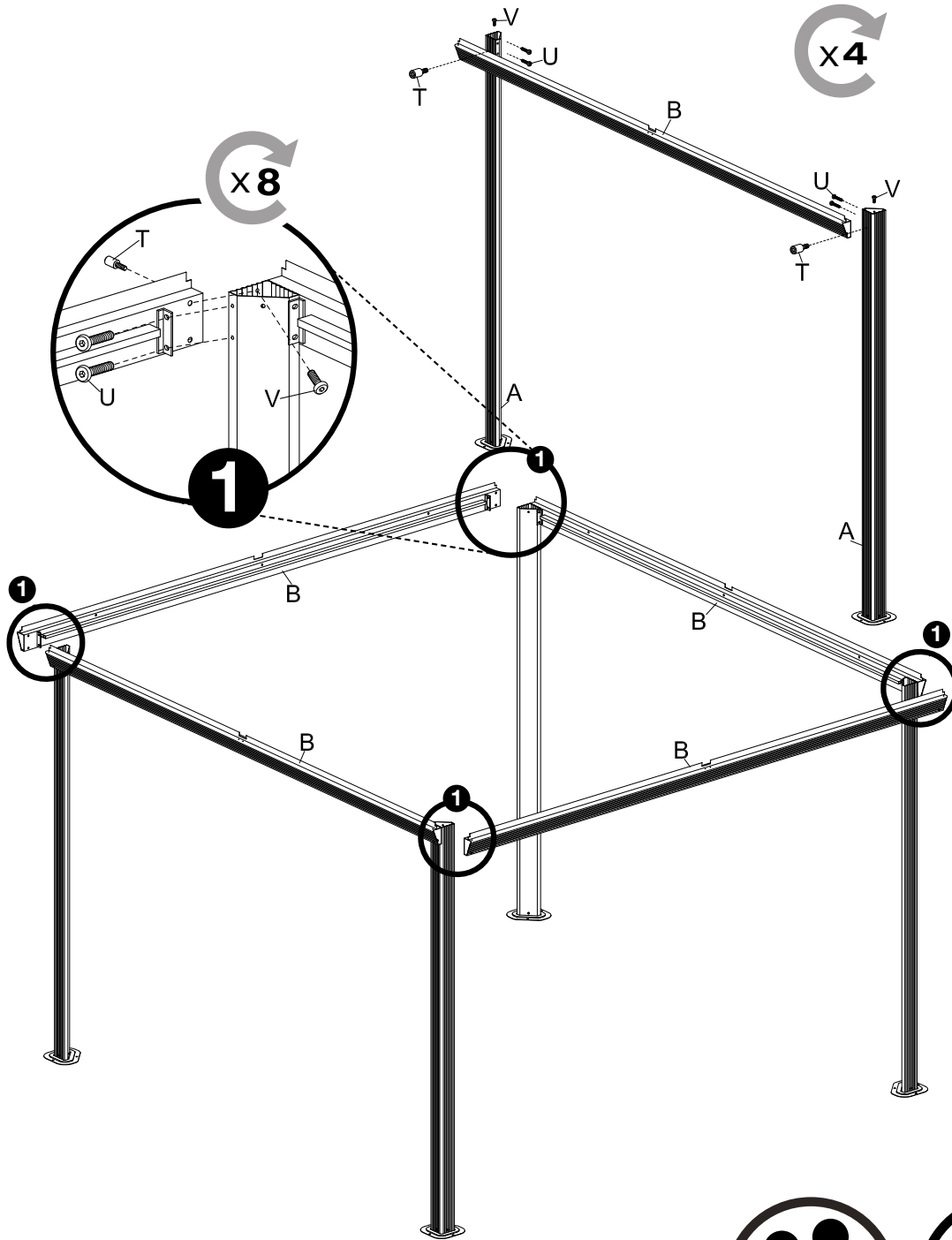
X X 48(+2) Optional  	Net  1x4 
---	---

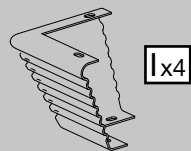
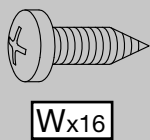
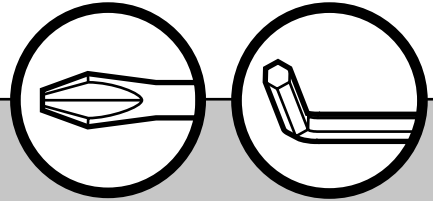
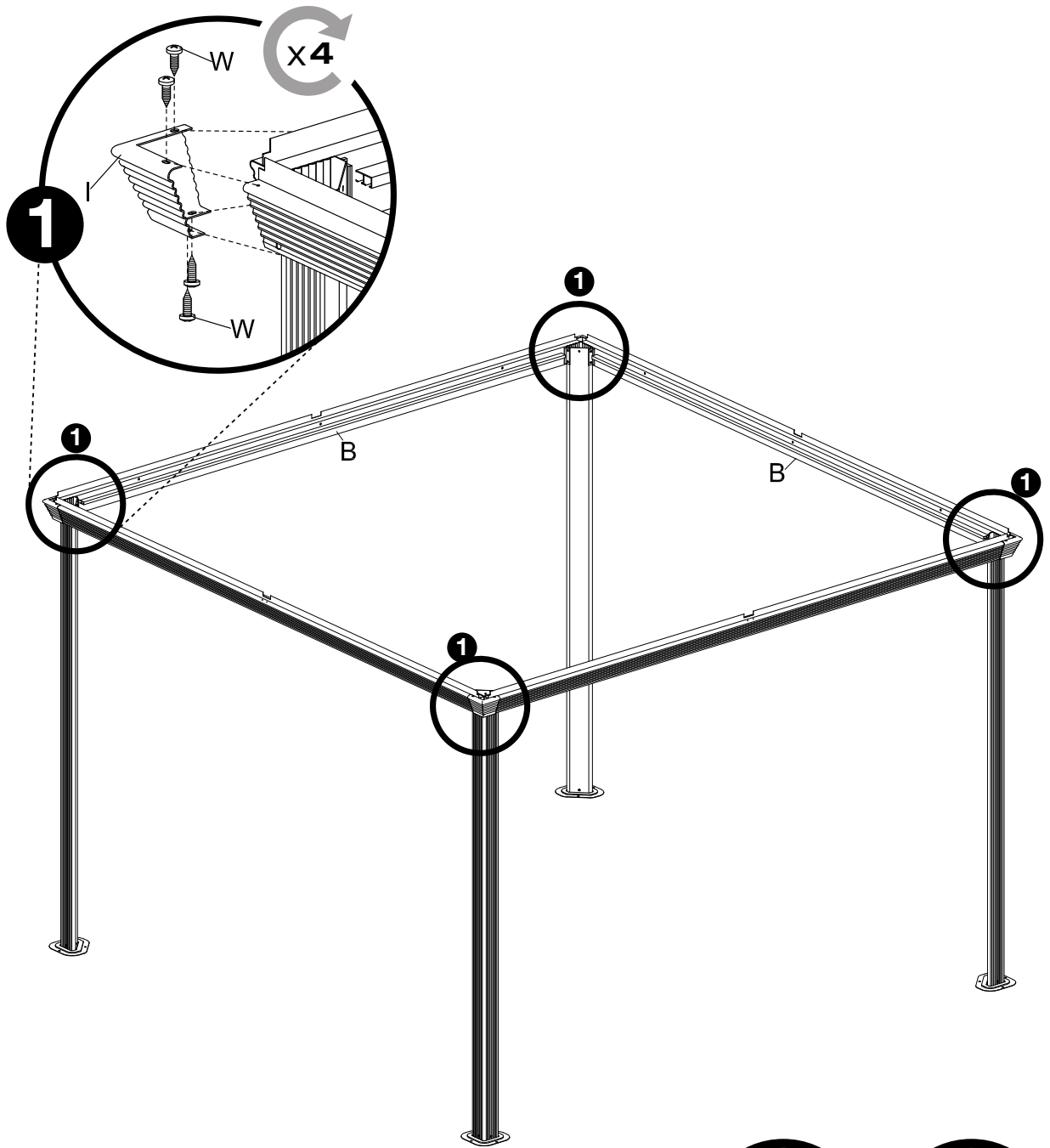
Curtain  2x4 

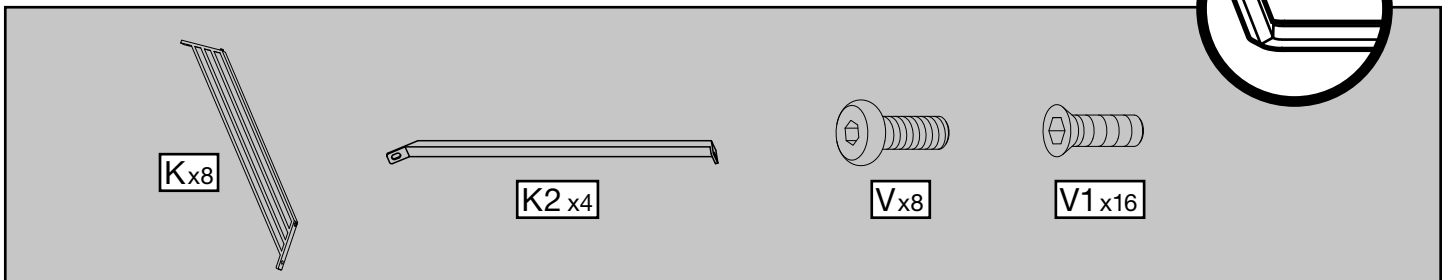
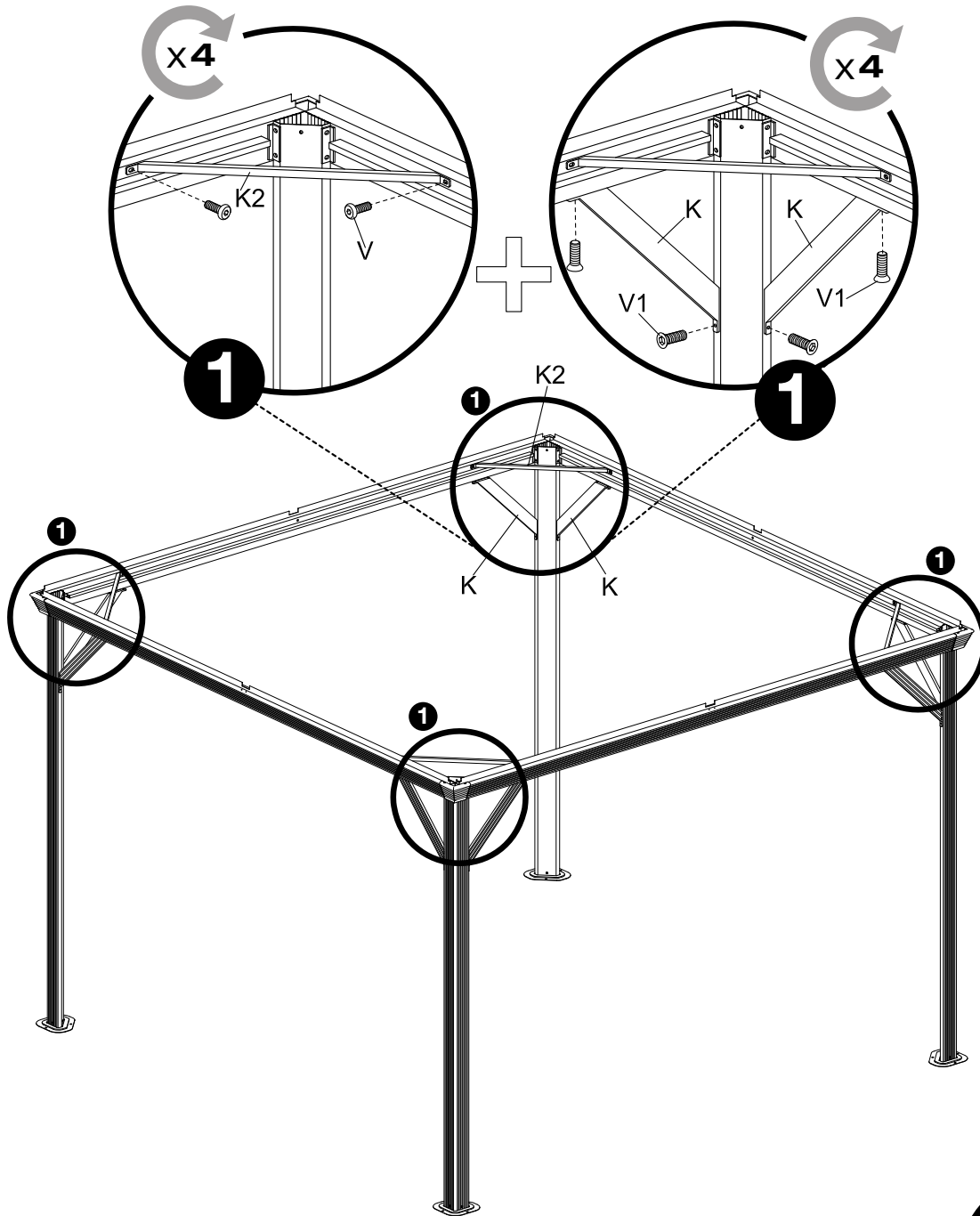


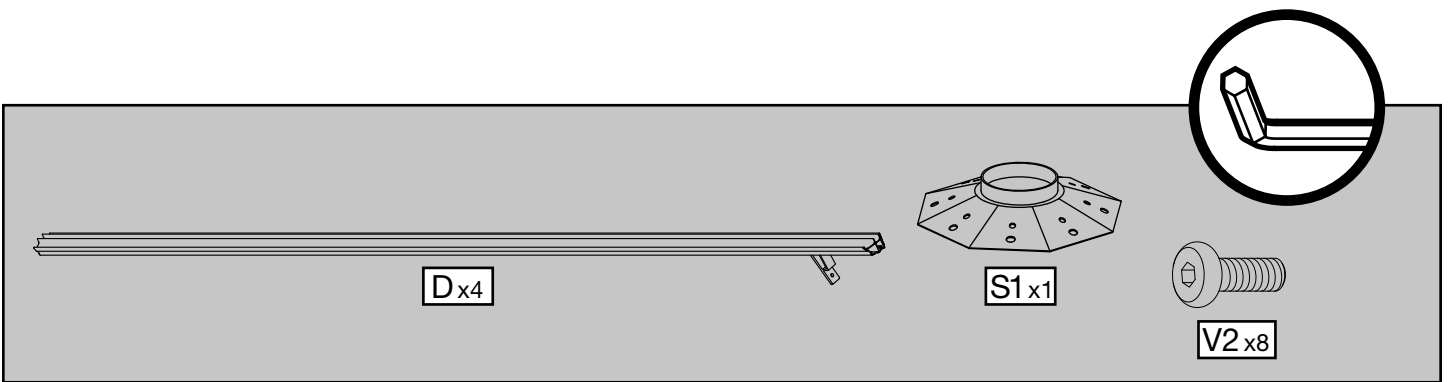
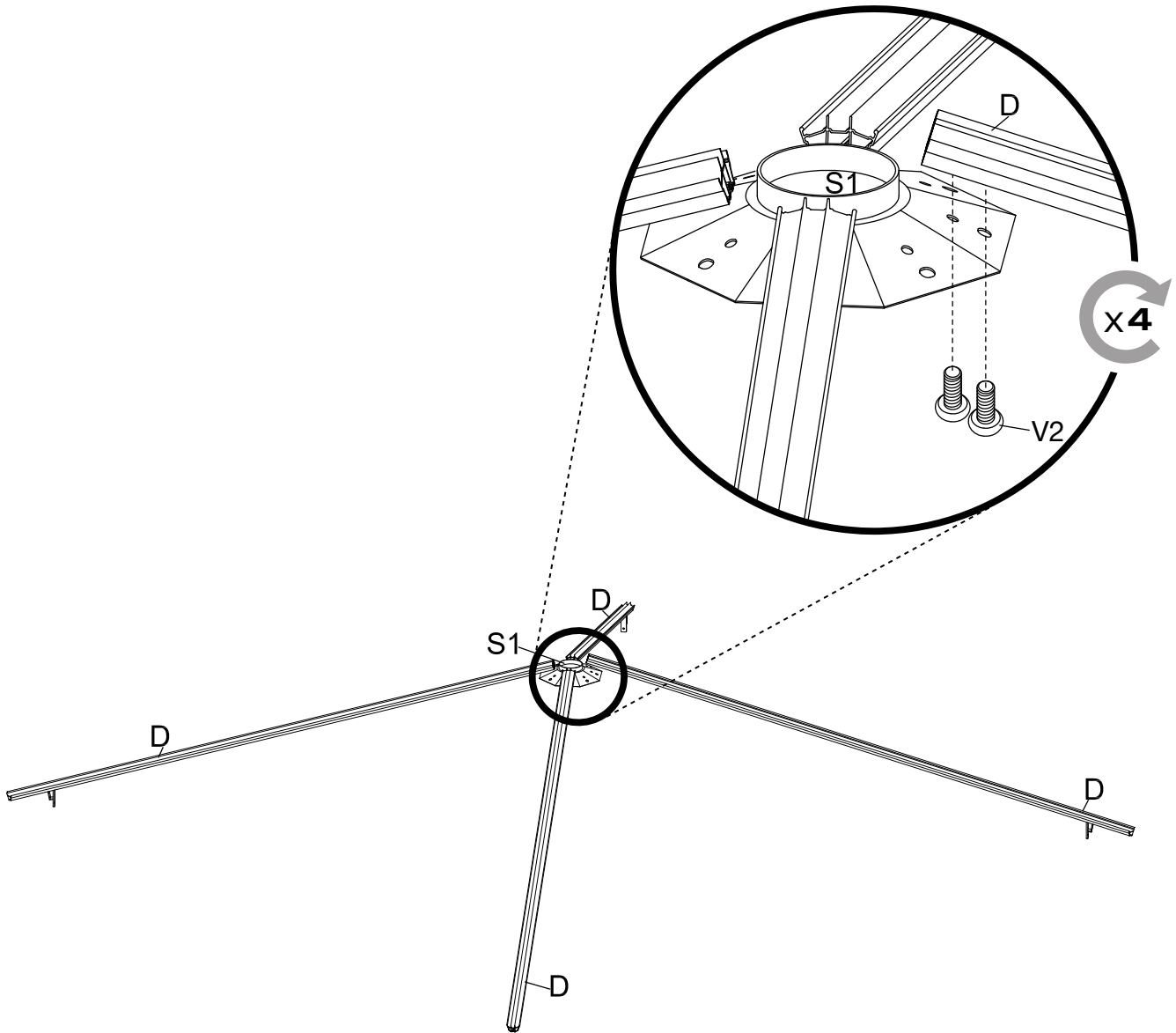


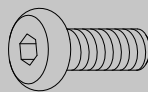
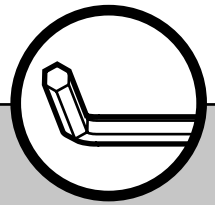
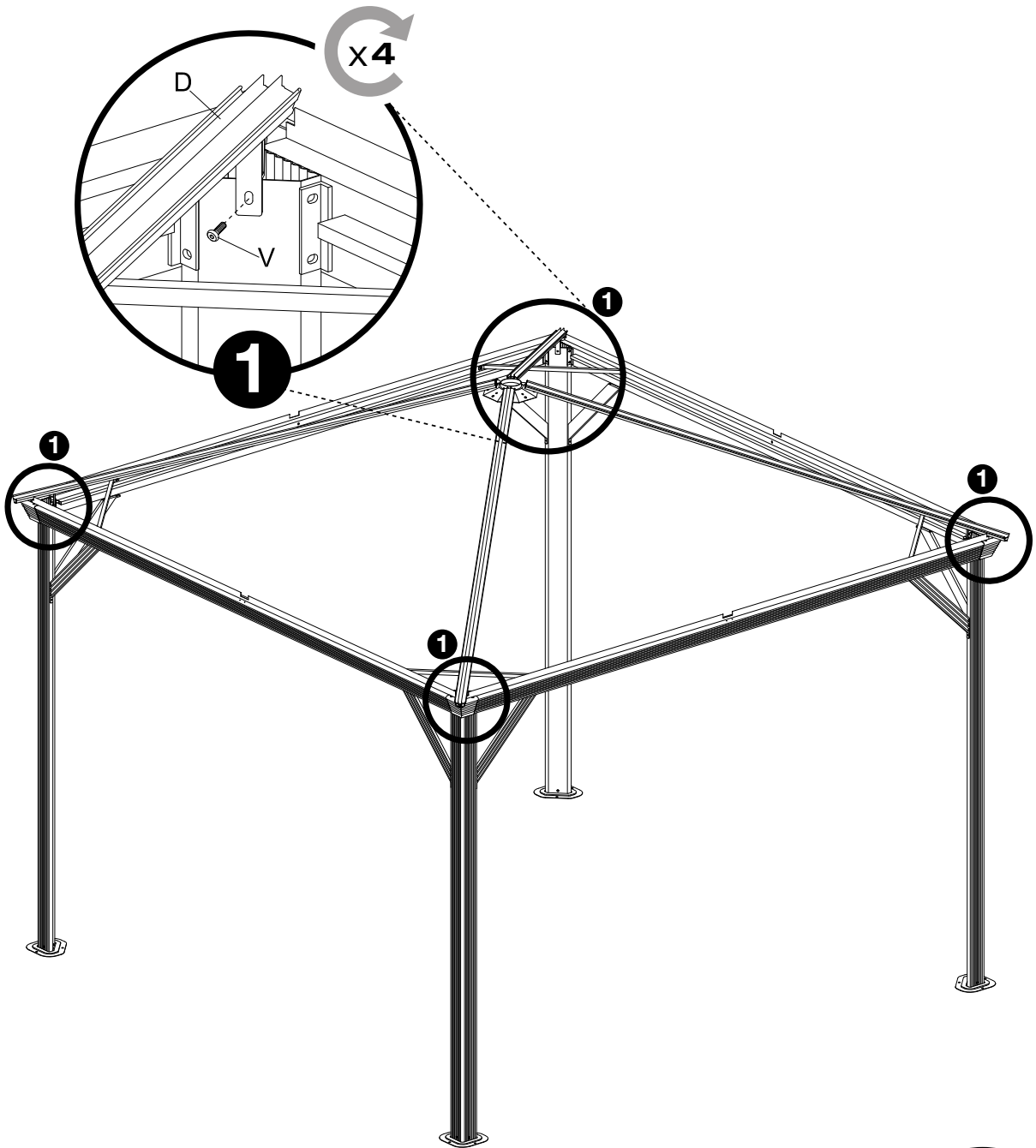




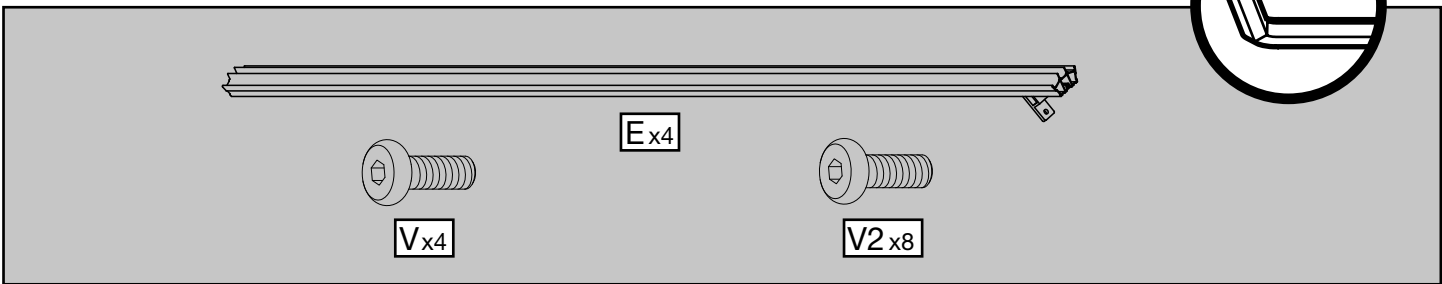
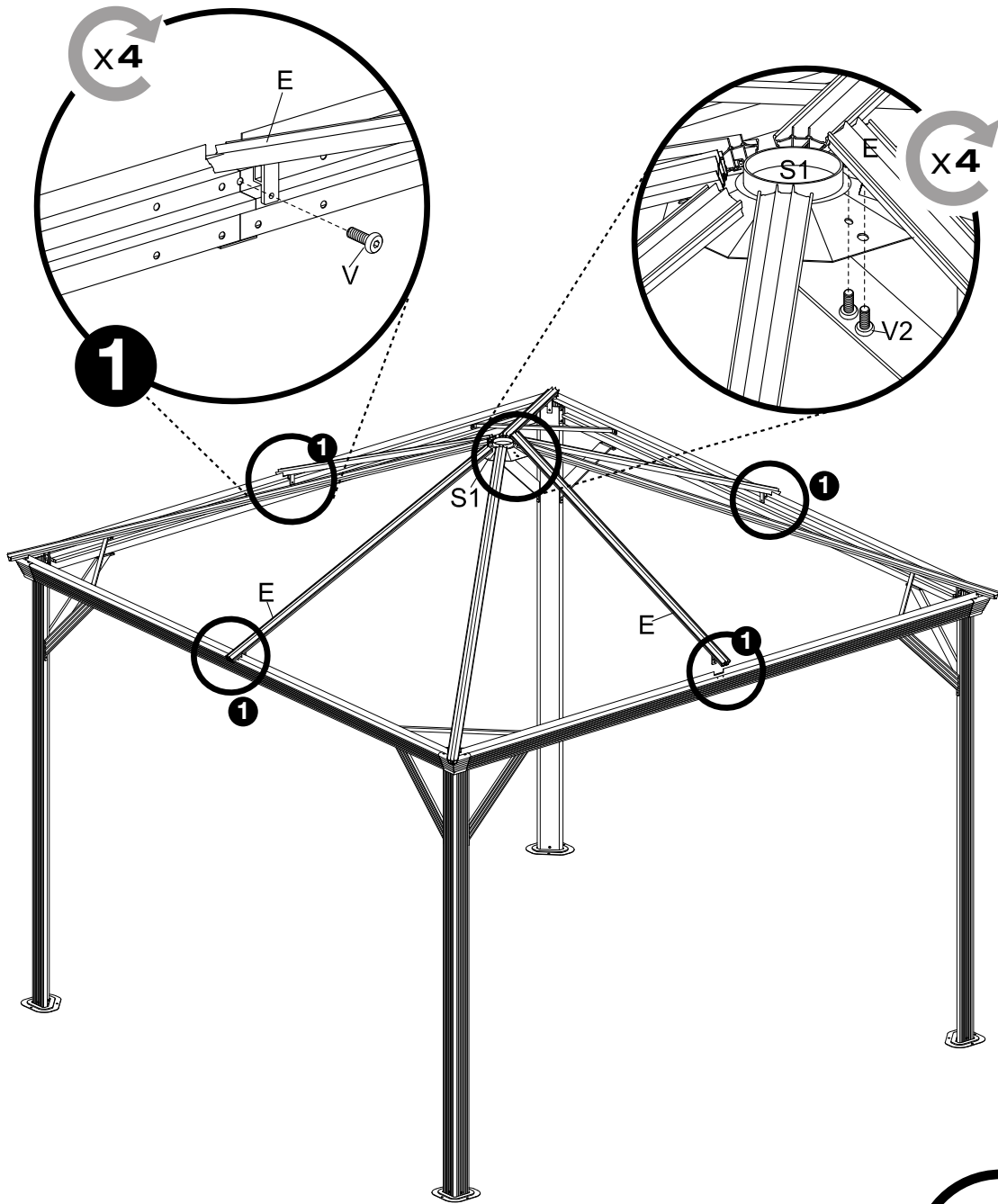


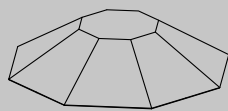
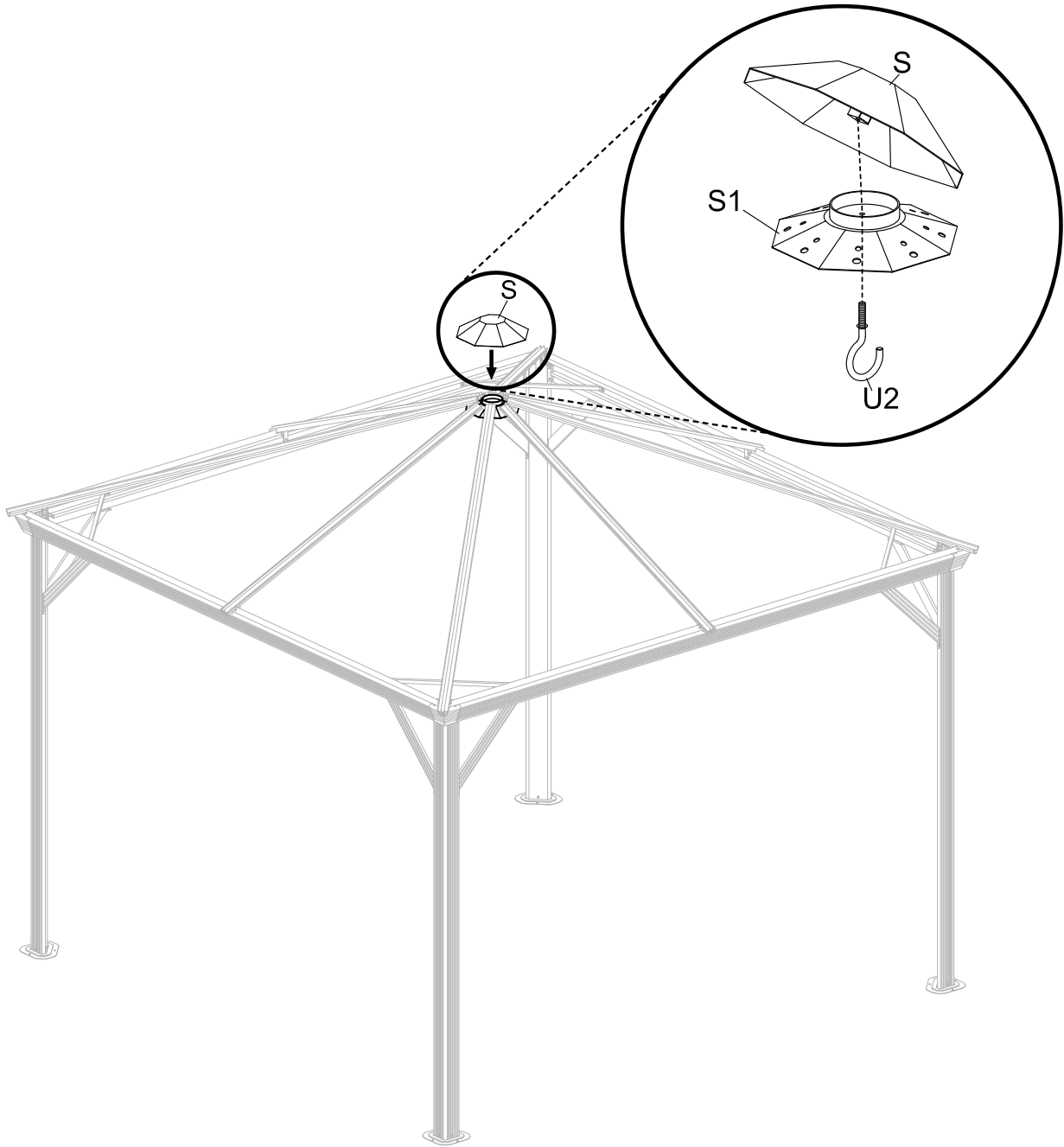






Vx4

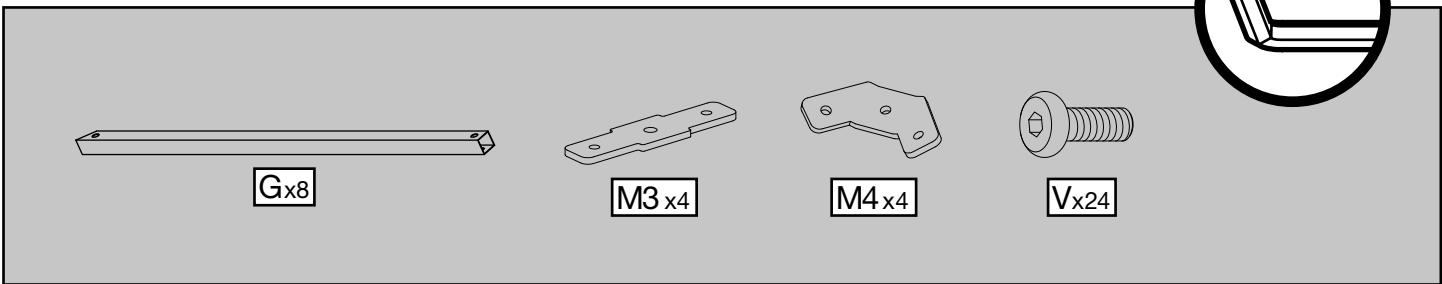
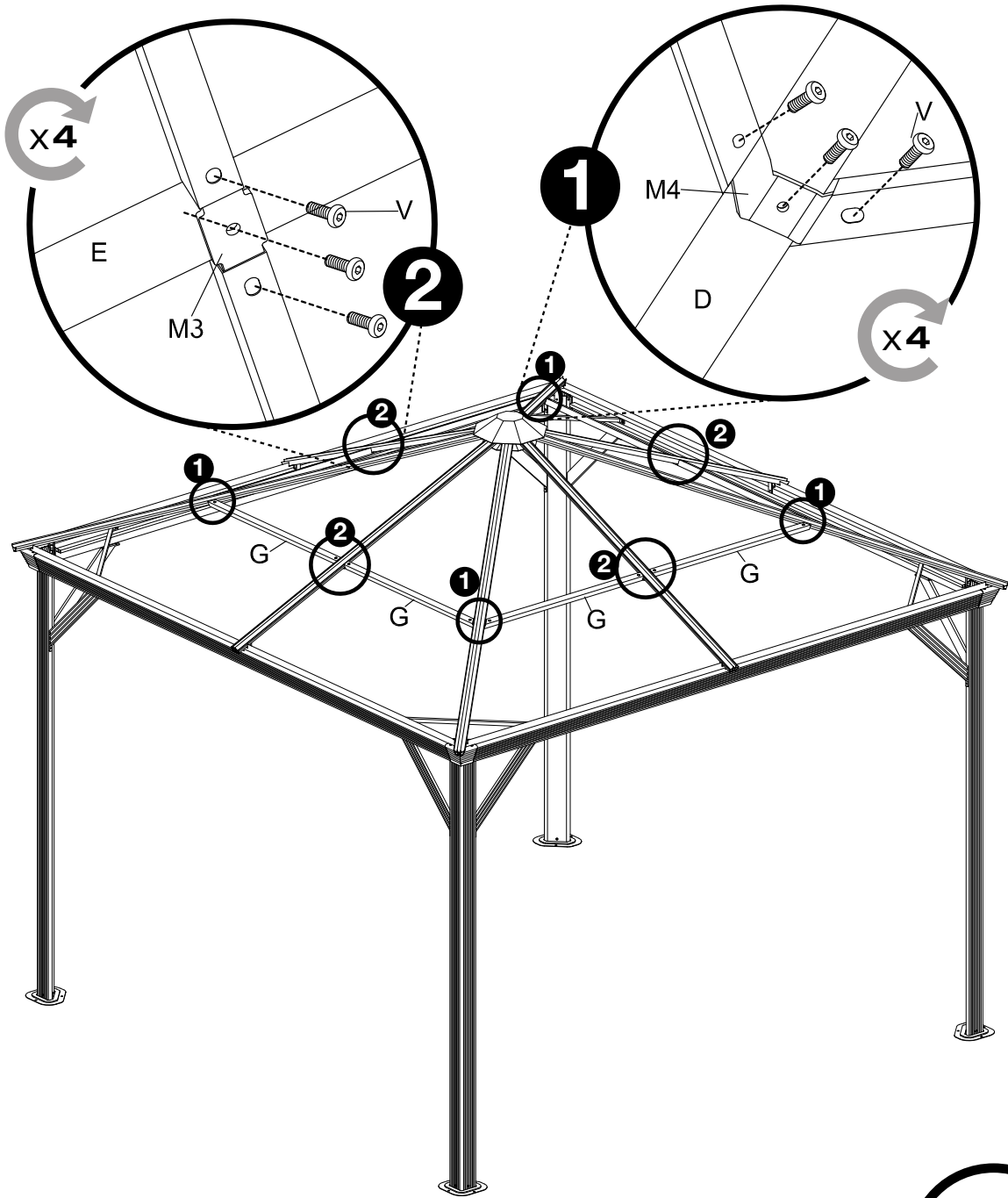


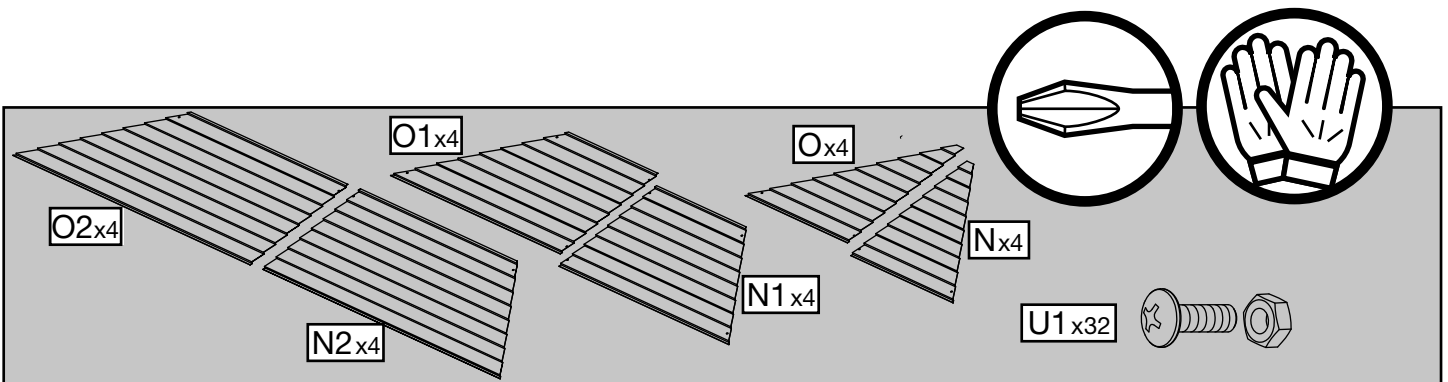
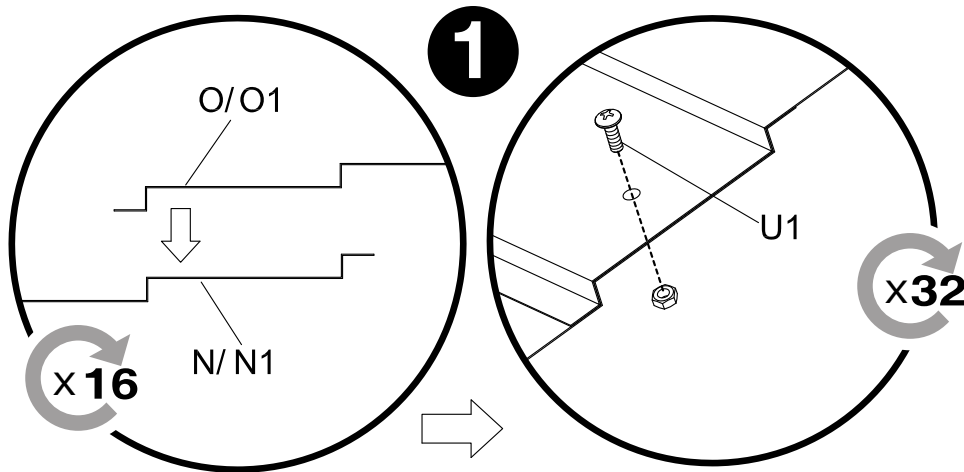
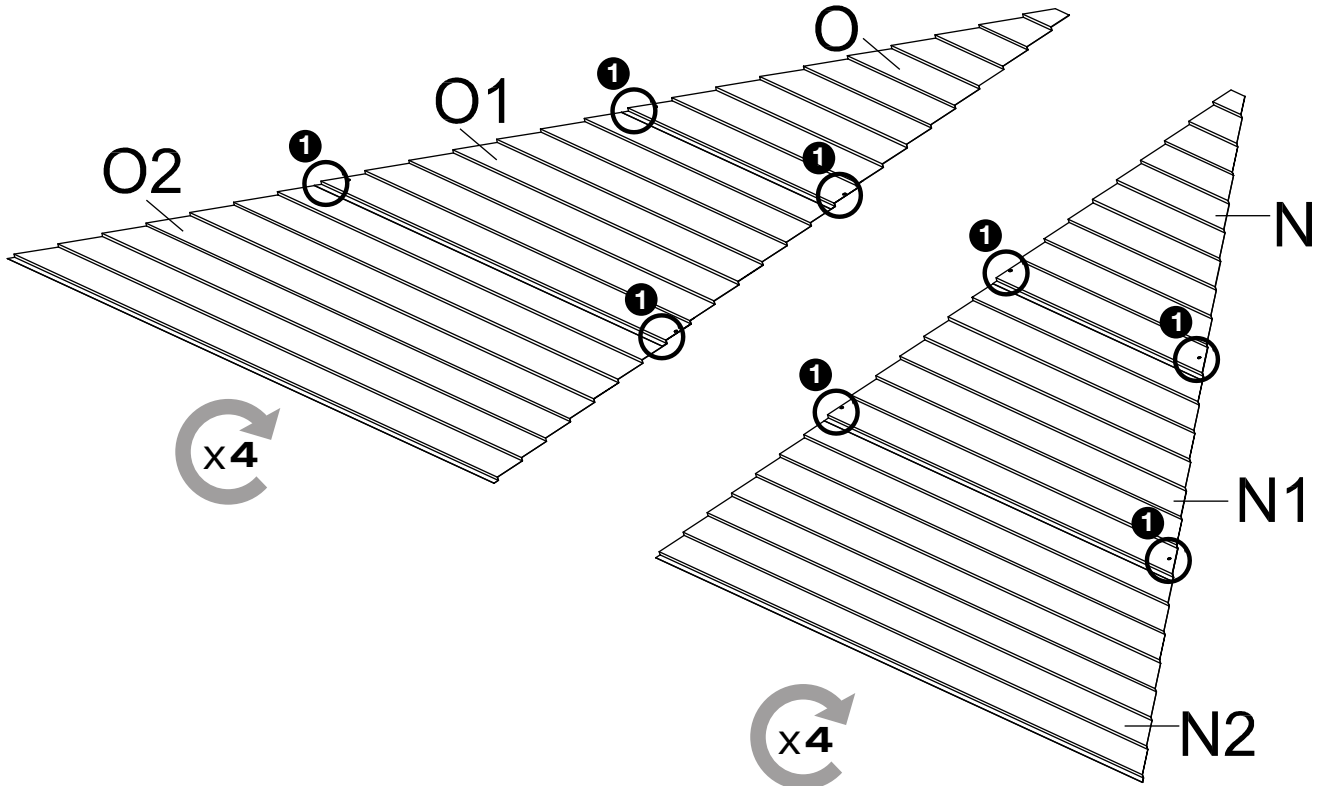


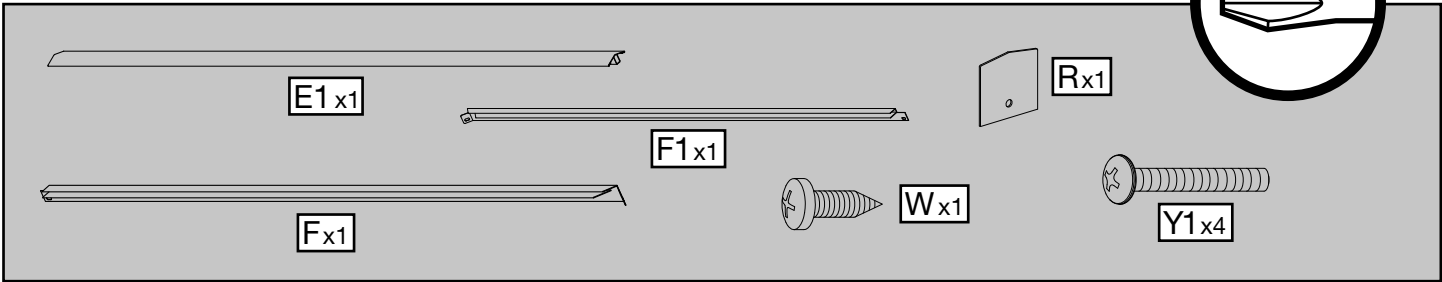
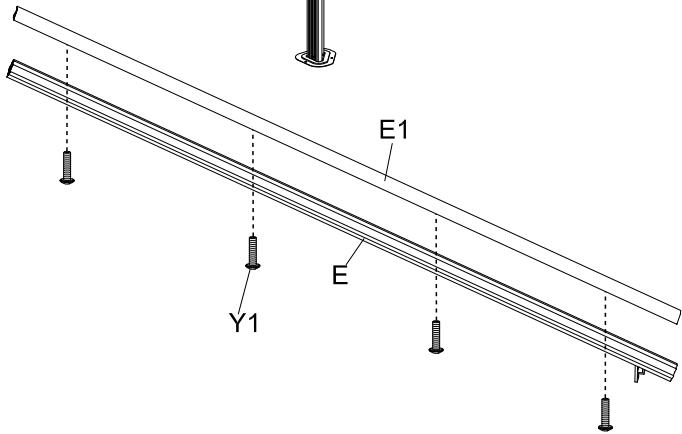
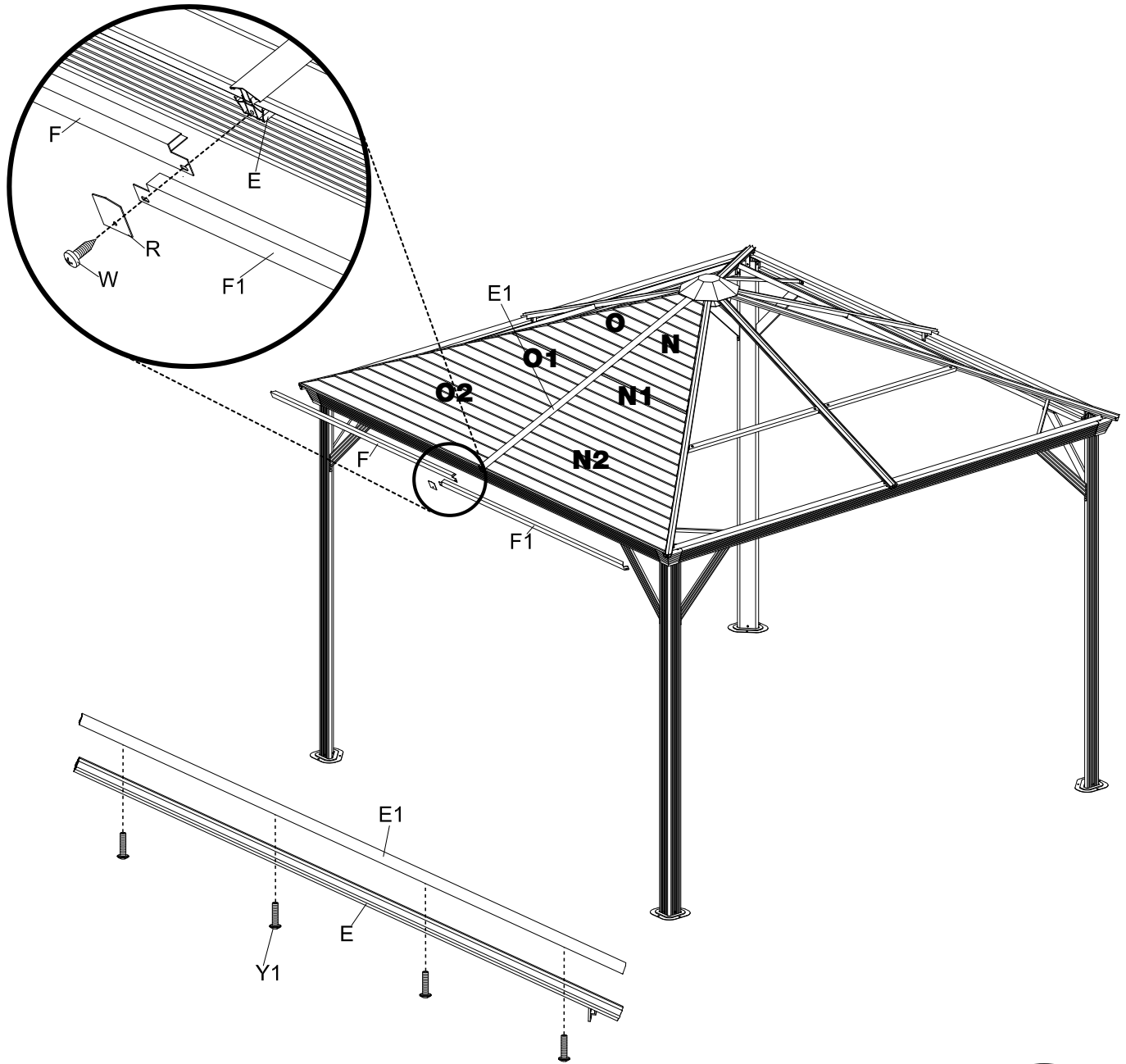
Sx1



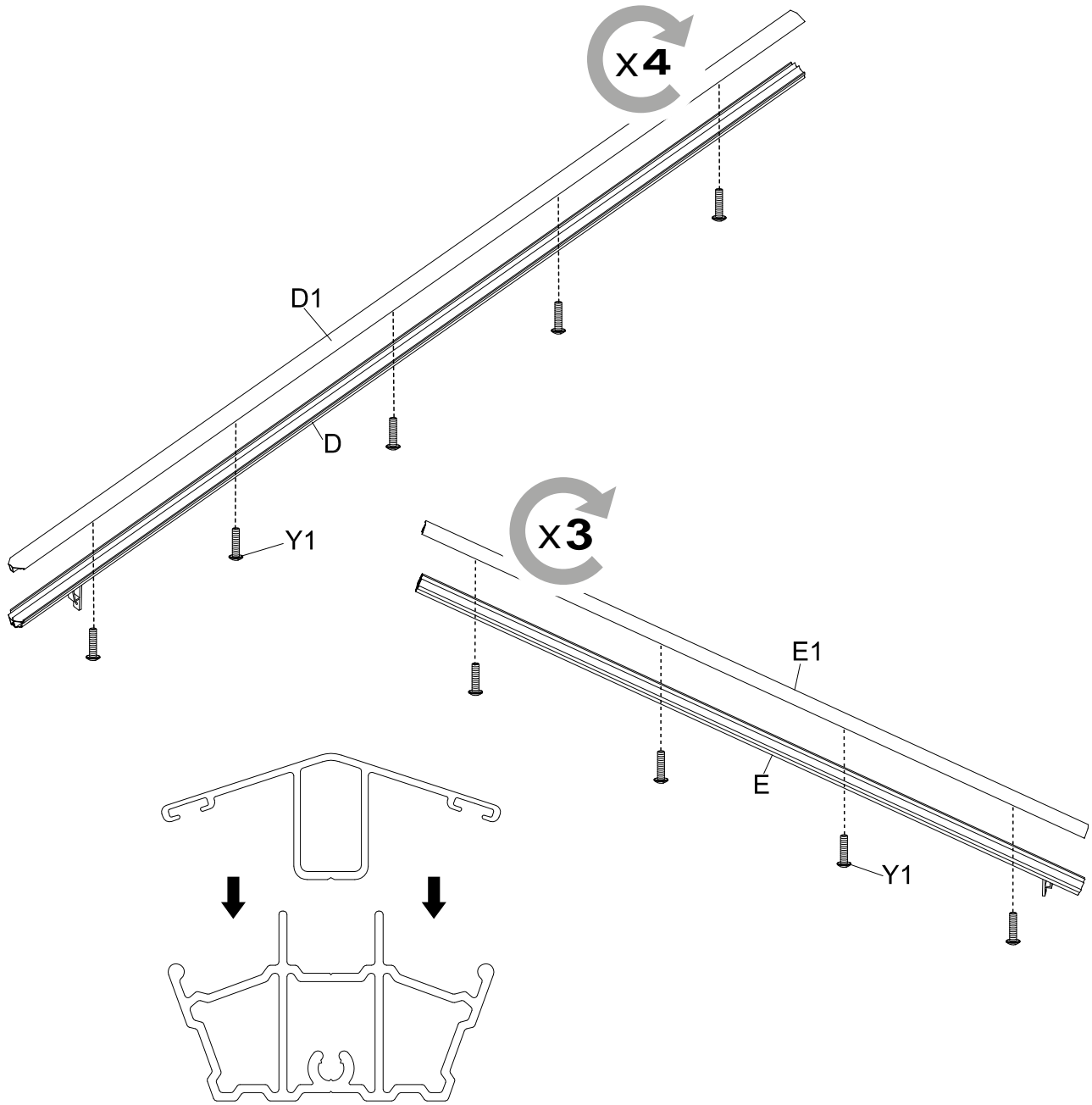
U2x1



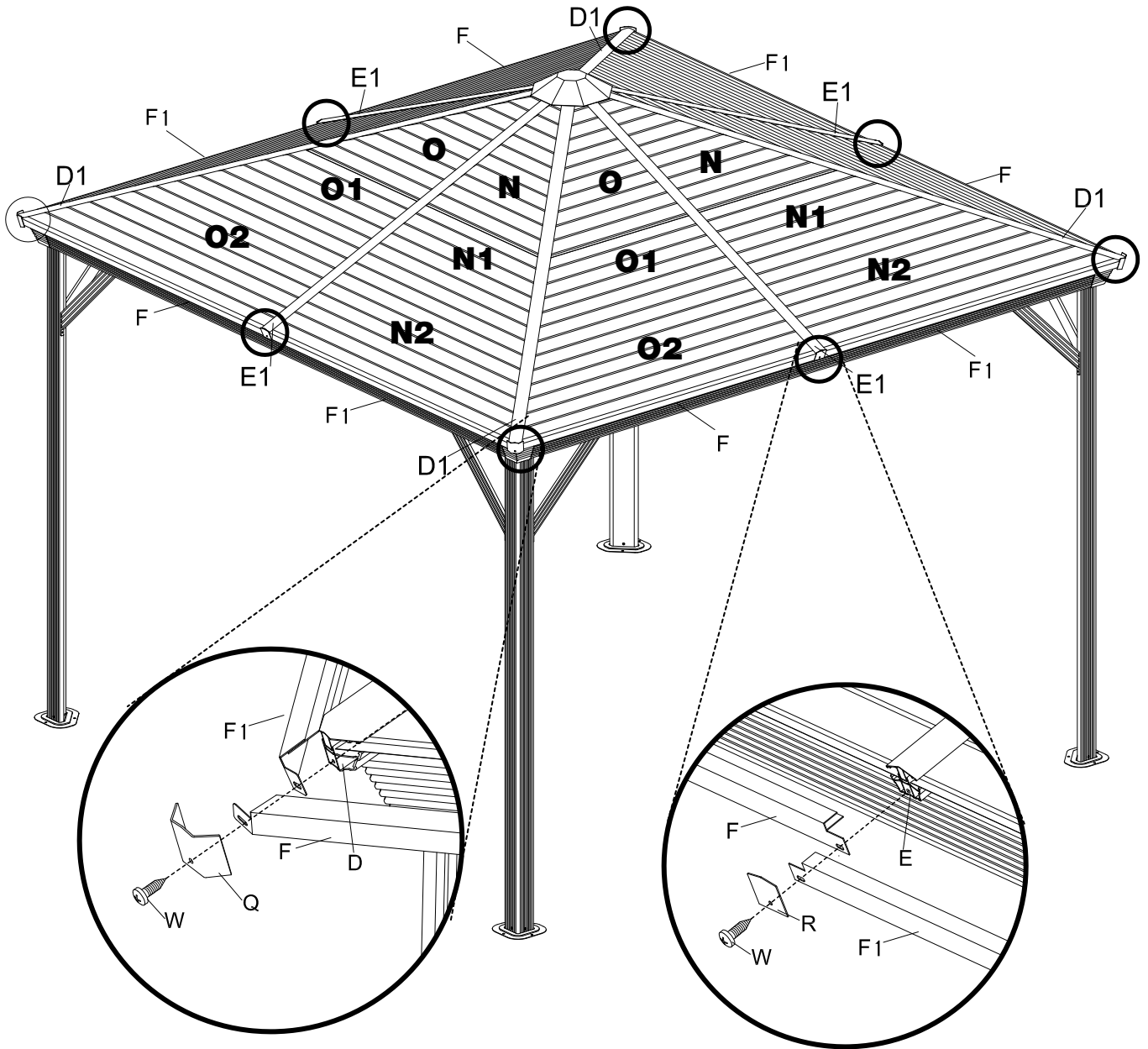




13A/14



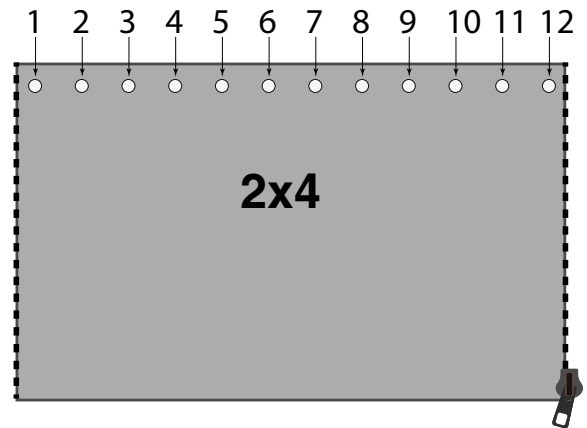
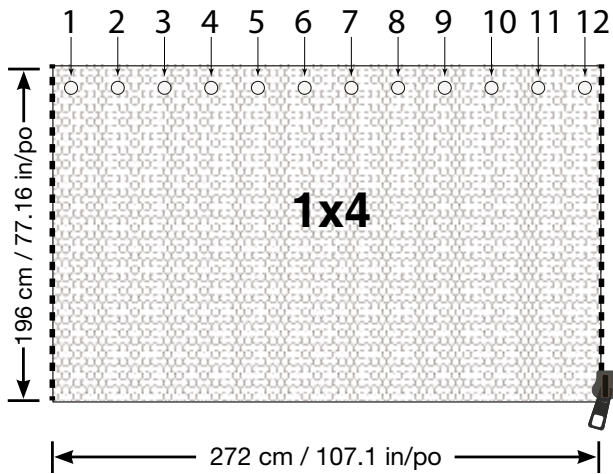
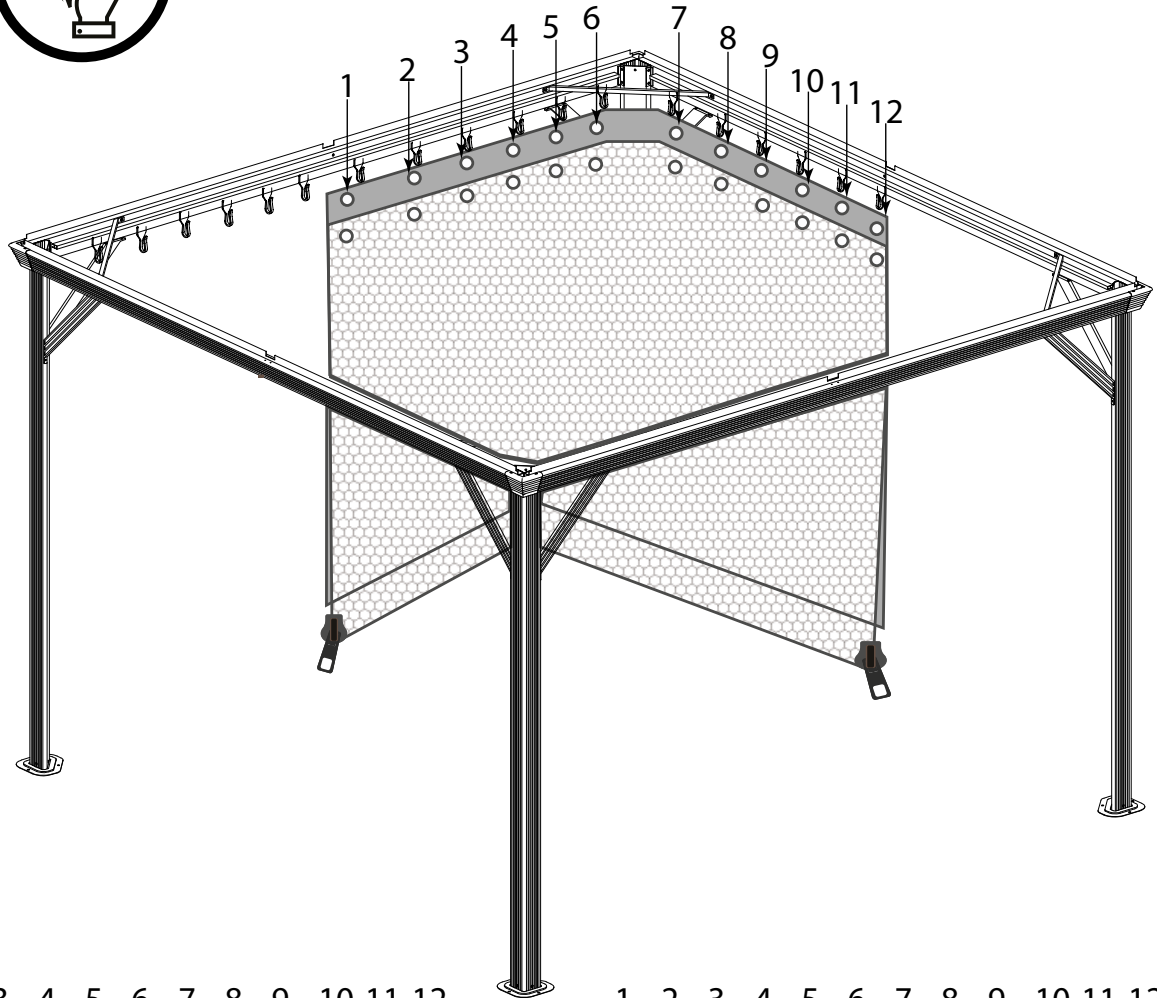
This section contains a parts list and a detail view. On the left, two long, thin components are shown: the top one is labeled **D1 x4** and the bottom one is labeled **E1 x3**. To the right, a screw is shown with the label **Y1 x32**. On the far right, a circular detail view shows a close-up of the screw's tip, which has a sharp, pointed design.



The parts list diagram shows the following components:

- Fx3**: Three long slats.
- F1x3**: Three shorter slats.
- Qx4**: Four brackets for leg attachment.
- Wx7**: Seven screws for assembly.
- Rx3**: Three brackets for central support attachment.

A circular callout shows a detailed view of a bracket (Q) being attached to a slat (F) and a leg (D1).



SOJAG ■ I
produits saisonniers • seasonal products