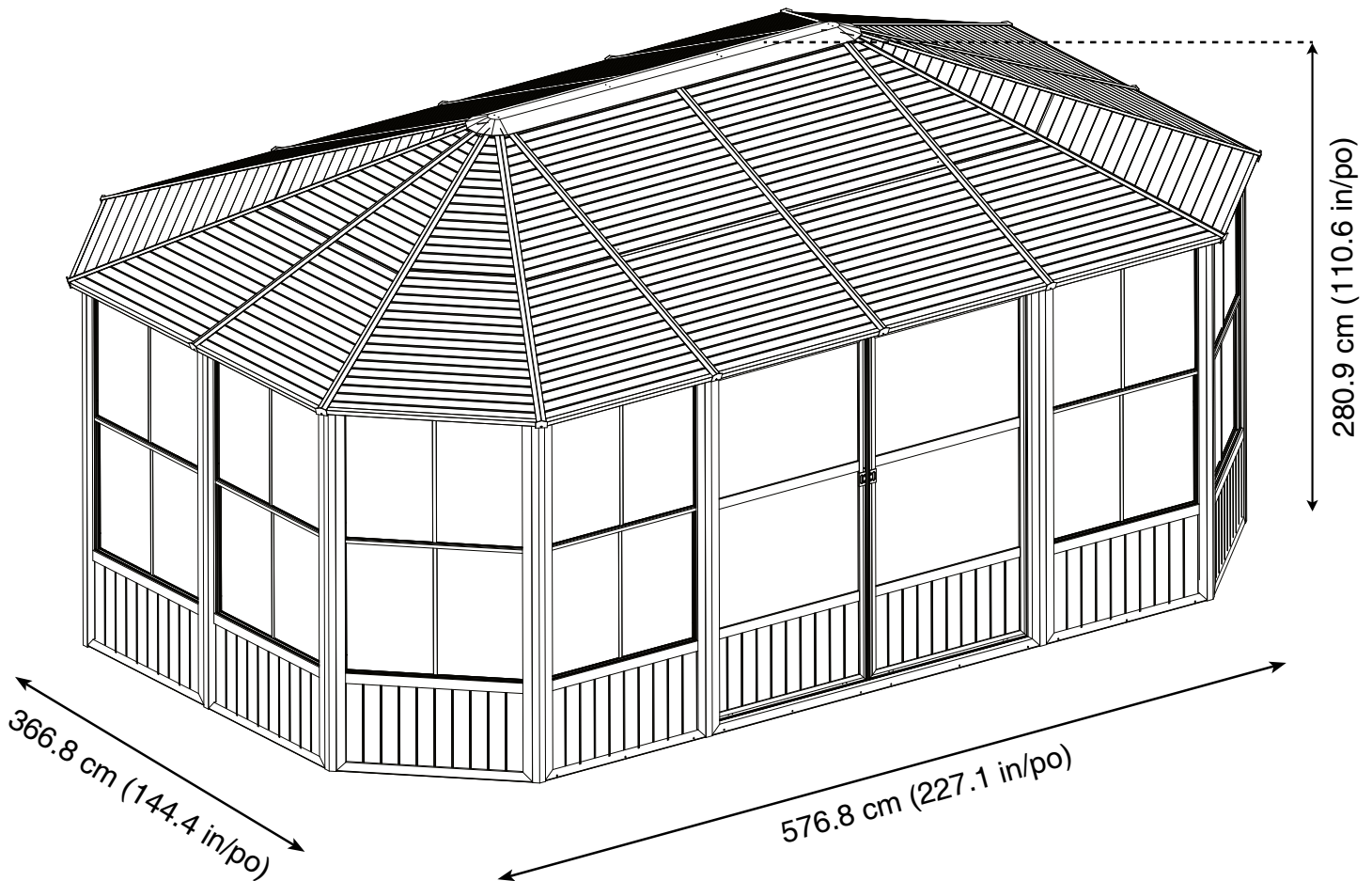
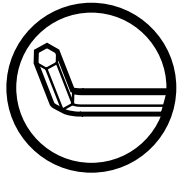


SOJAG

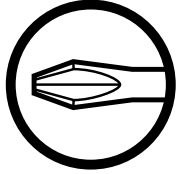
QUESTIONS? +49 (0) 6571 / 95117-0

Assembly Manual / Guide d'assemblage / Manual de ensamblaje / 조립설명서 / Montageanleitung





Use the hex keys in the box. / Utilisez les clés hexagonales fournies dans la boîte. / Utilice las llaves hexagonales en la caja. / 상자에 육각 키를 사용 하십시오. / Verwenden Sie die Sechskantschlüssel in der Box.



Please use a Phillips screwdriver. / Utilisez un tournevis de type Phillips / Por favor, use un destornillador Phillips. / 십자 드라이버를 사용 하십시오. / Bitte verwenden Sie einen Kreuzschraubenzieher.



You may need to use a drill for this step. / Vous pouvez avoir besoin d'utiliser une perceuse pour cette étape. / Puede que tenga que utilizar un taladro para este paso. / 이 단계에선 드릴을 사용해야 할 수도 있습니다. / Für diesen Schritt können Sie einen Bohrer verwenden.



Wearing protective gloves is recommended. / Le port de gants de protection est recommandé / El uso de guantes de protección se recomienda. / 보호 장갑을 착용 하는 것이 좋습니다. / Das Tragen von Schutzhandschuhen wird empfohlen.



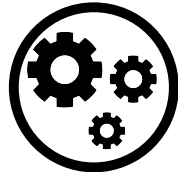
Two or more people are required at this stage. / Deux personnes ou plus sont nécessaires à cette étape. / Dos o más personas se requieren en esta etapa. / 이 단계에서는 두 명 이상 이 필요합니다. / Für diesen Bauschritt sind 2 oder mehr Personen erforderlich.



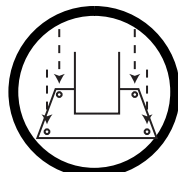
Do not tighten screws all the way for now. / Ne pas visser fermement pour l'instant. / No atornille con firmeza por ahora. / 아직 나사를 단단히 조이지 마십시오. / Bitte die Schrauben zum jetzigen Zeitpunkt noch nicht fest anziehen.



Sold separately. / Vendus séparément. / vendido en las opciones. / 옵션 판매 / Optional erhältlich

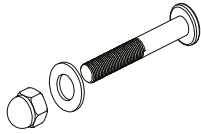


Optional step / Étape optionnelle / Paso opcional / 선택적 단계 / Optionaler Schritt

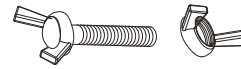


The gazebo must be anchored (hardware not included) / Le gazébo doit être ancré (quincaillerie non incluse) / El gazebo debe estar anclado (herramientas no incluidas) / gaze보를 반드시 바닥에 고정 시키세요. (고정 나사 부품 미포함) / Muss am Boden verankert werden, Befestigungsmaterial nicht im Lieferumfang enthalten

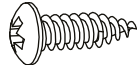
B6 X 8 (+2)



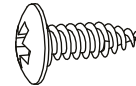
WS X 2 (+1)



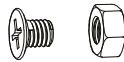
S X 64 (+6)



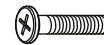
S1 X 16 (+2)



T X 40 (+6)



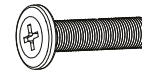
U X 80 (+8)



V X 70 (+7)



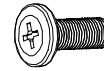
V1 X 4 (+1)



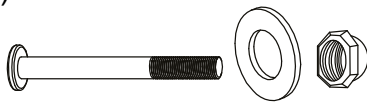
V2 X 8 (+2)



V3 X 2 (+1)



W X 12 (+2)



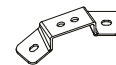
X X 12 (+2)



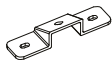
Y X 3 (+1)



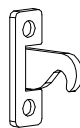
Z1 X 8



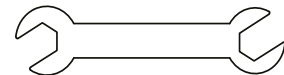
Z2 X 8

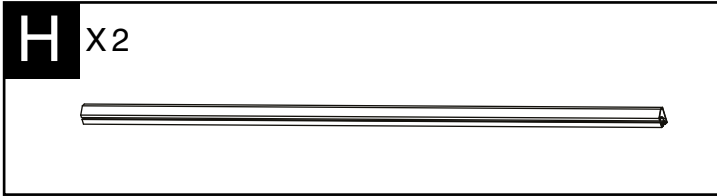
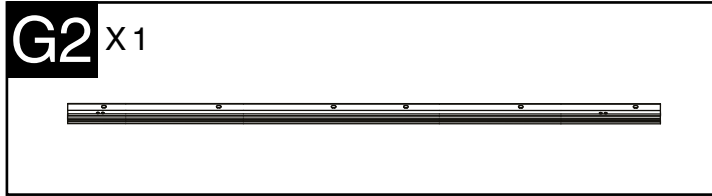
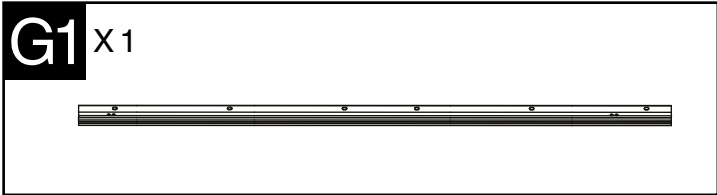
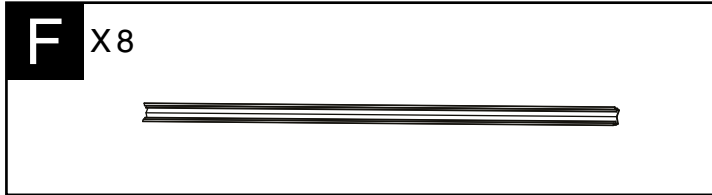
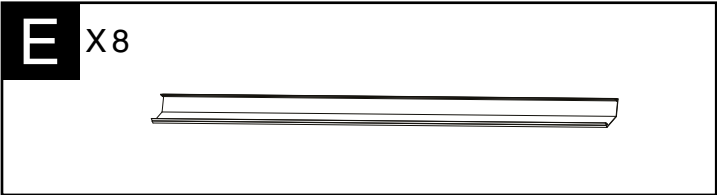
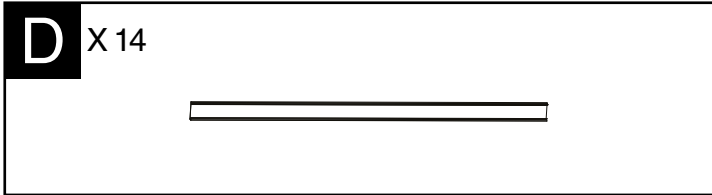
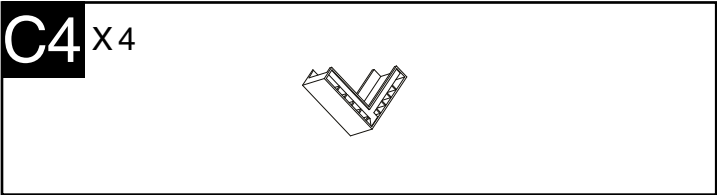
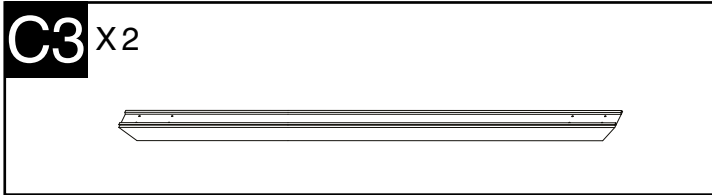
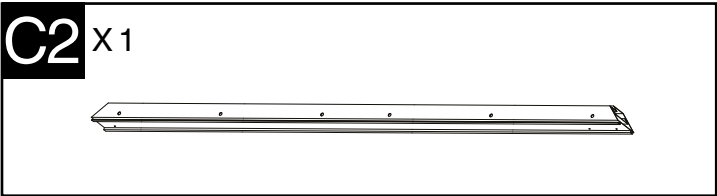
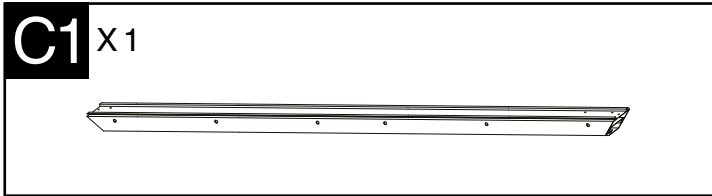
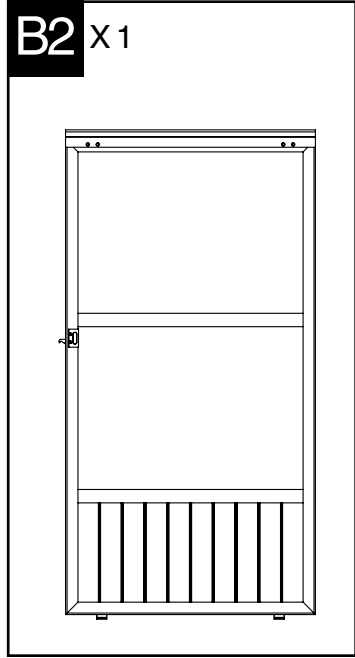
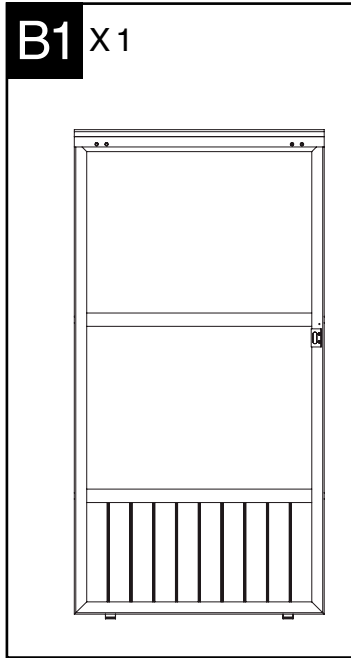
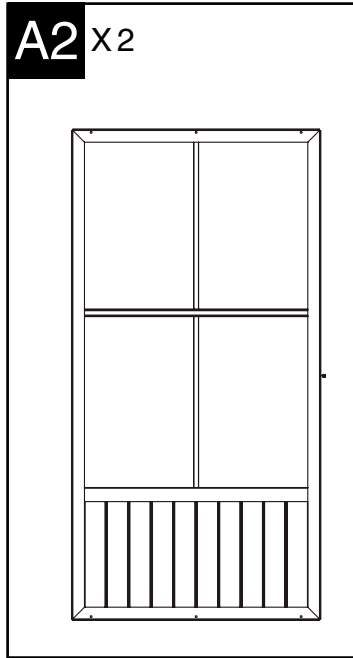
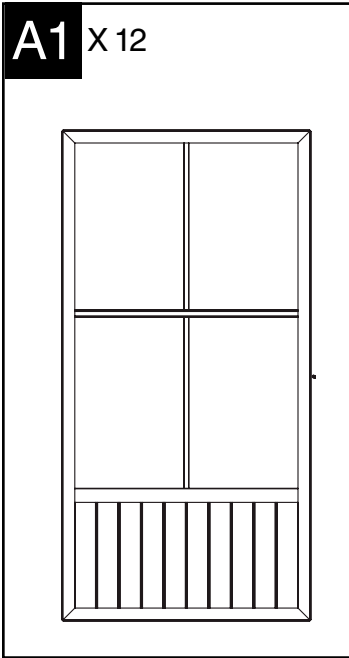



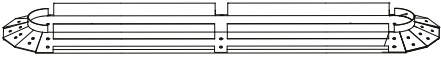
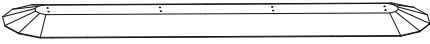


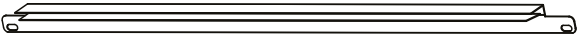
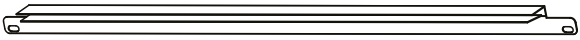
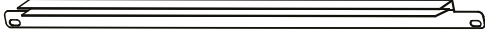








Z3 X 1

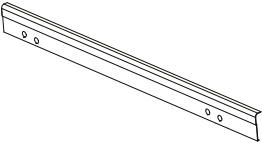


Z4 X 1





I X4 	J X1 
K X1 	L1 X8 
L2 X8 	M X8 
M1 X4 	M2 X4 
N X8 	N1 X4 
N2 X4 	P X8 
P1 X4 	P2 X4 
O X8 	O1 X8 

B7 X2 

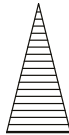
B5 x4



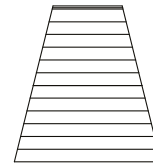
Q x16



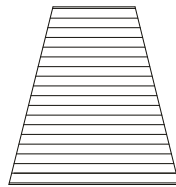
Qa x4



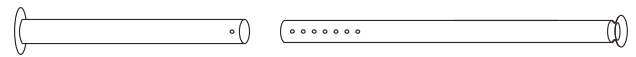
Qb x4



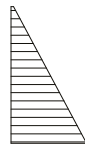
Qc x4



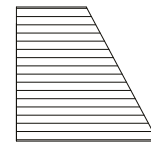
WE x2



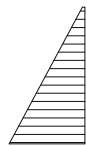
Ra x4



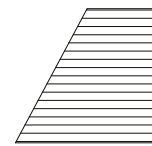
Rb x4



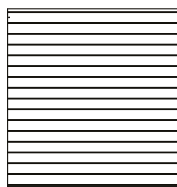
R1a x4



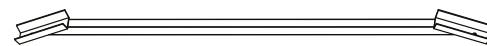
R1b x4

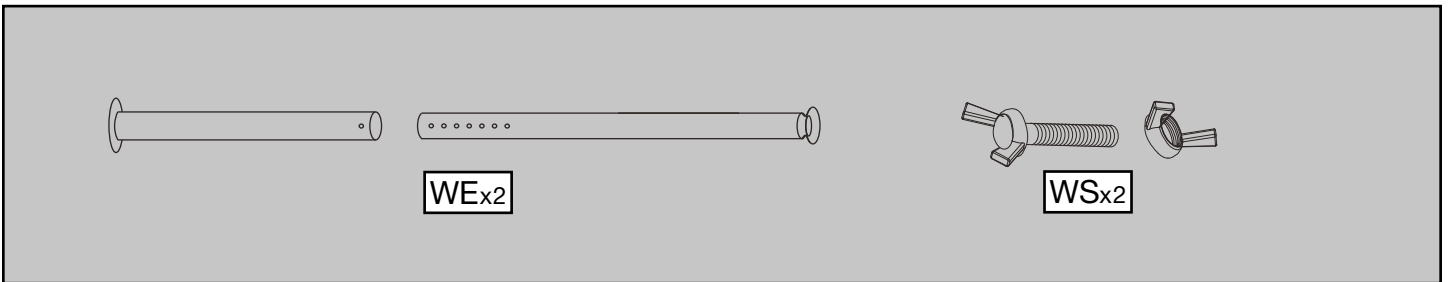
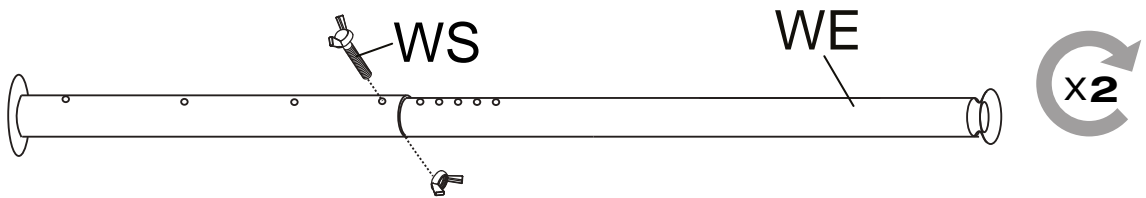
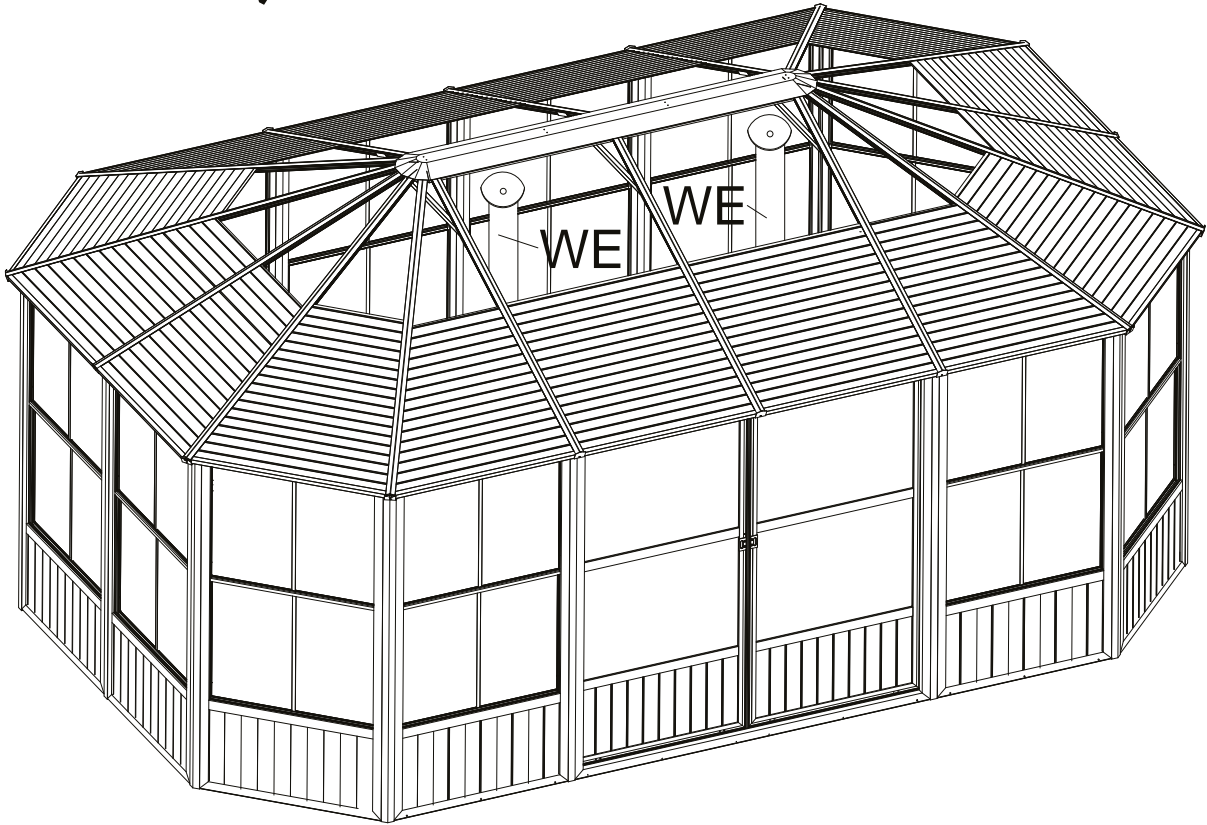


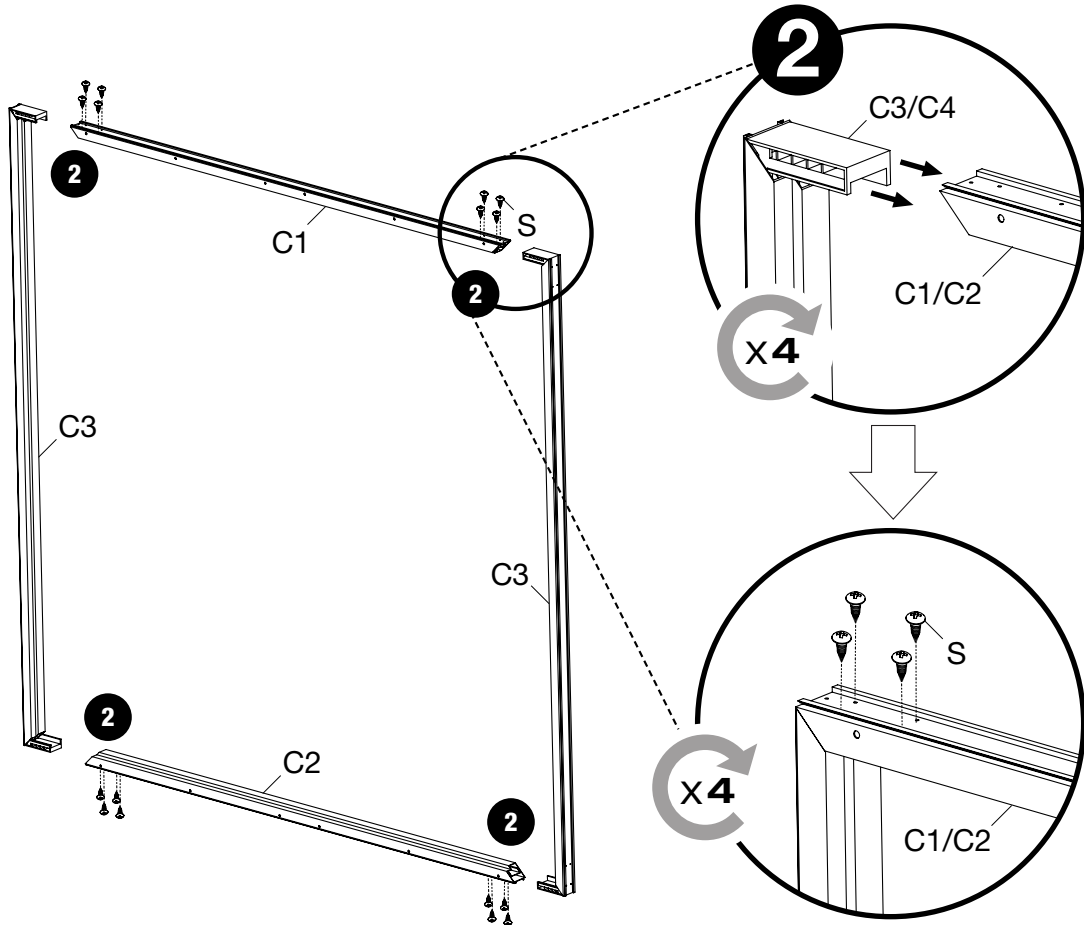
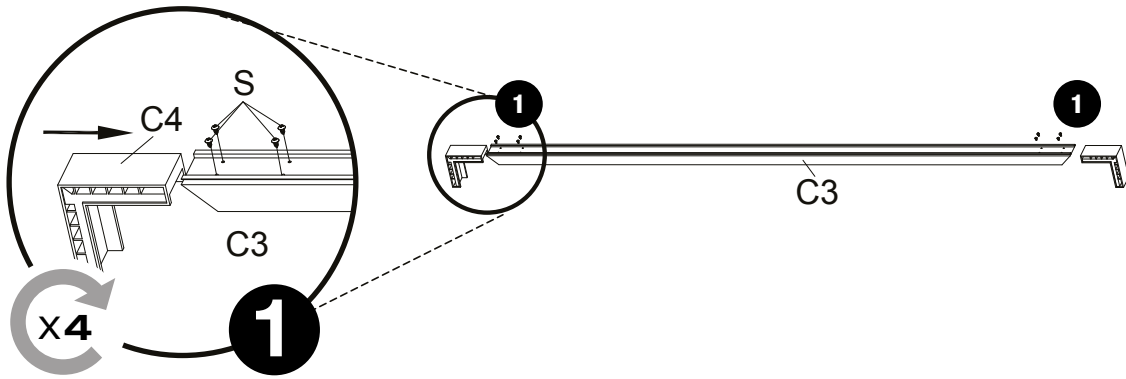
Sa x8



Z x3



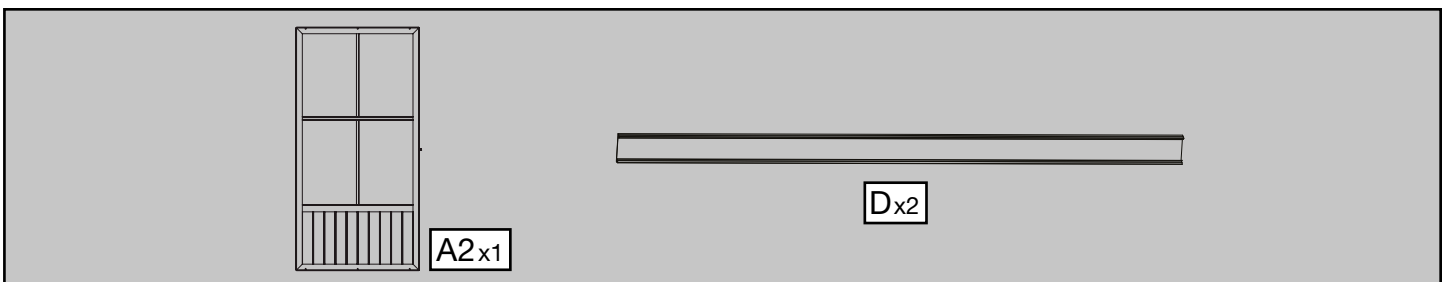
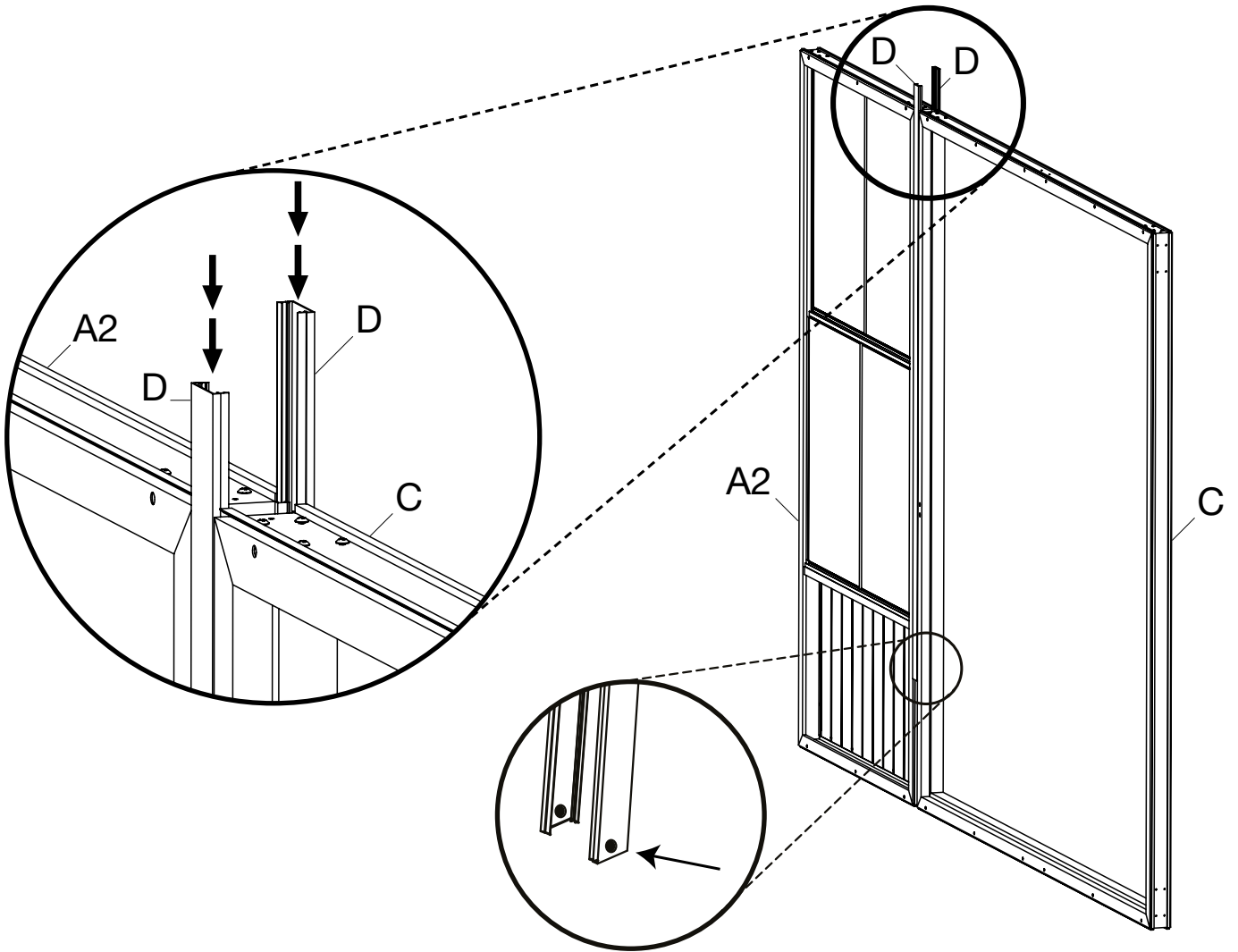


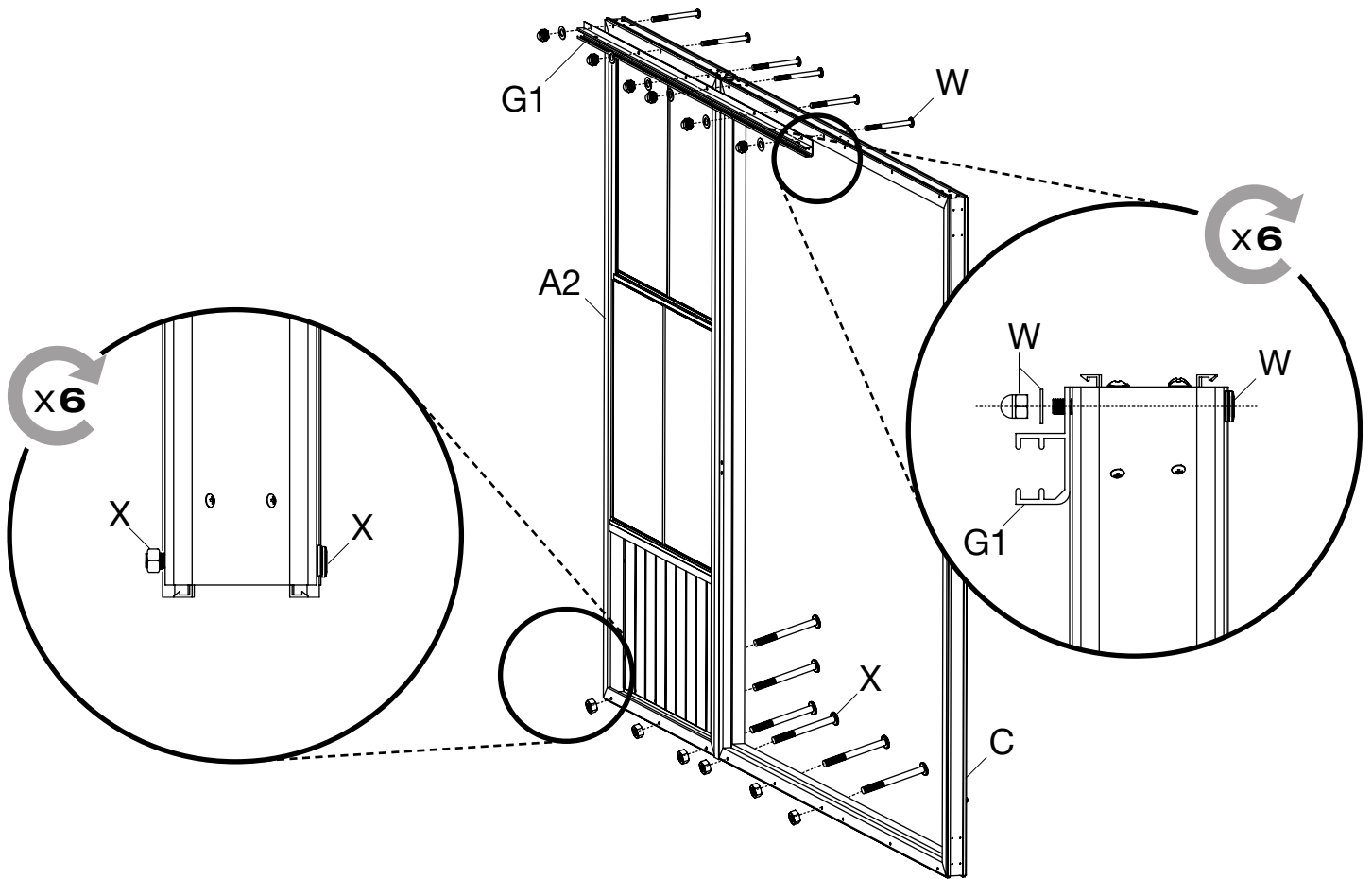


Parts list and requirements:

- C1x1
- C2x1
- C3x2
- C4x4
- Sx32

Requirements: 2+ people, screwdriver.



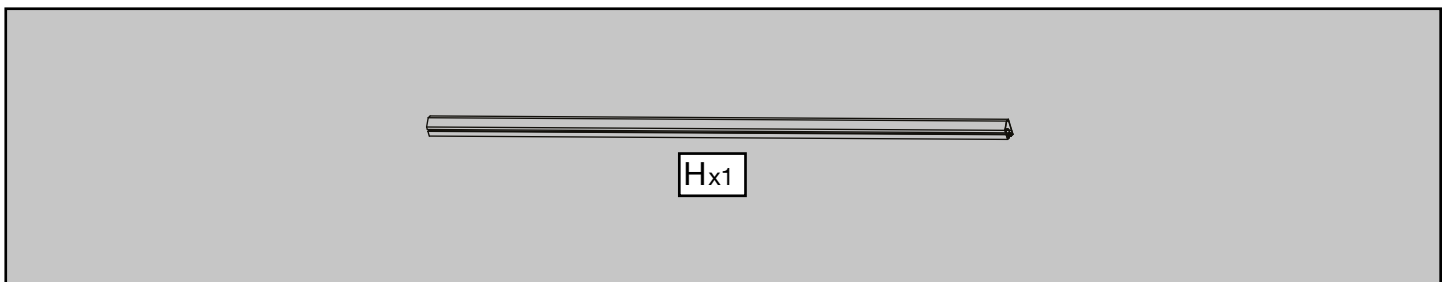
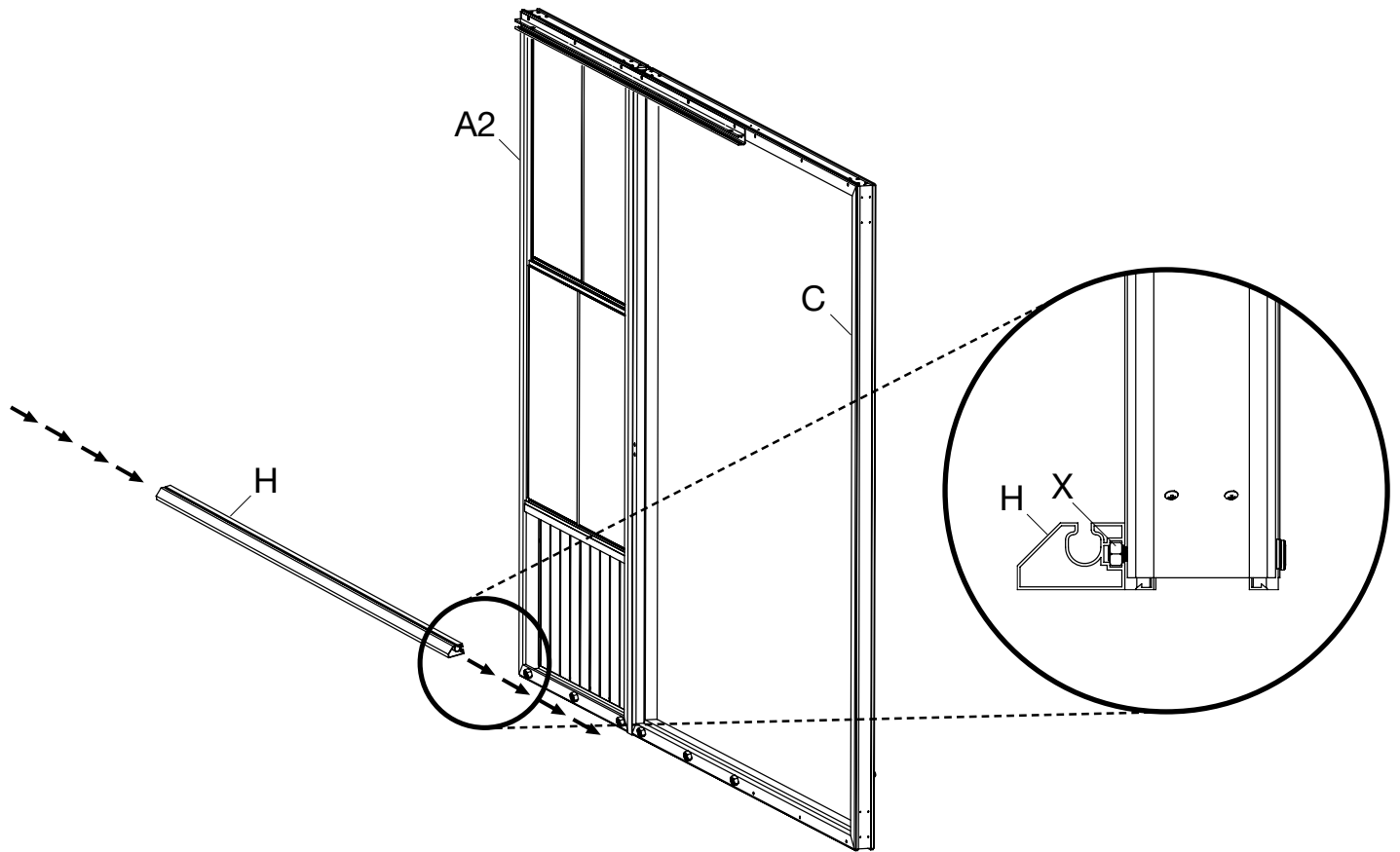


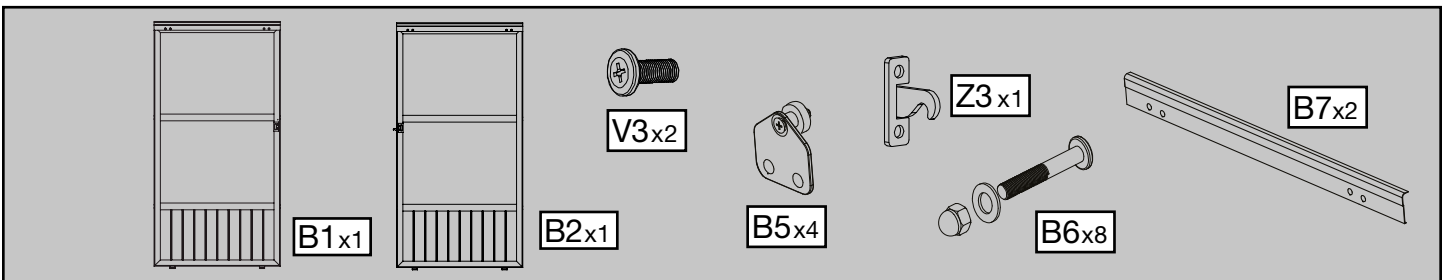
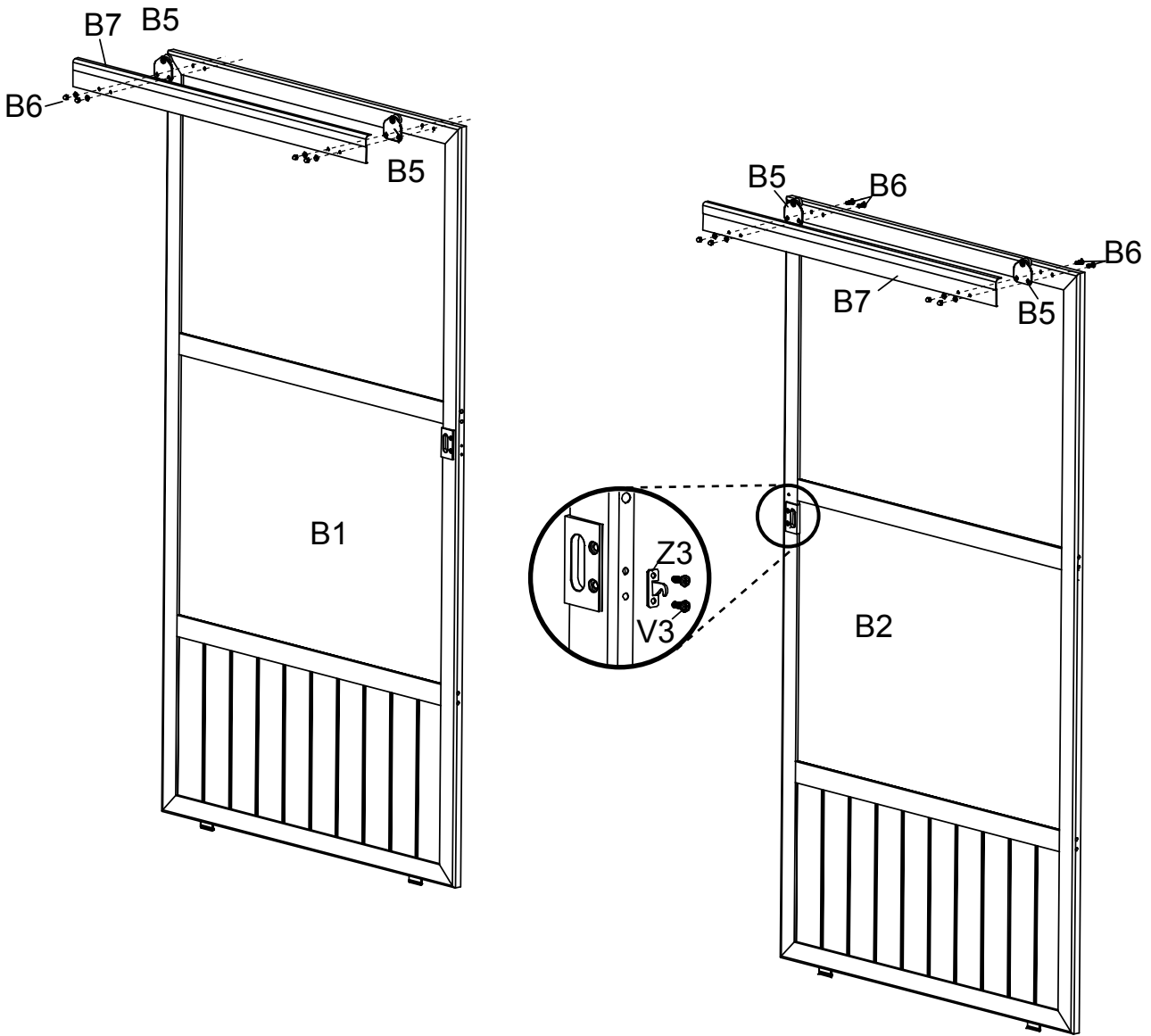
This section contains the parts list and safety instructions for the assembly step. The parts list includes:

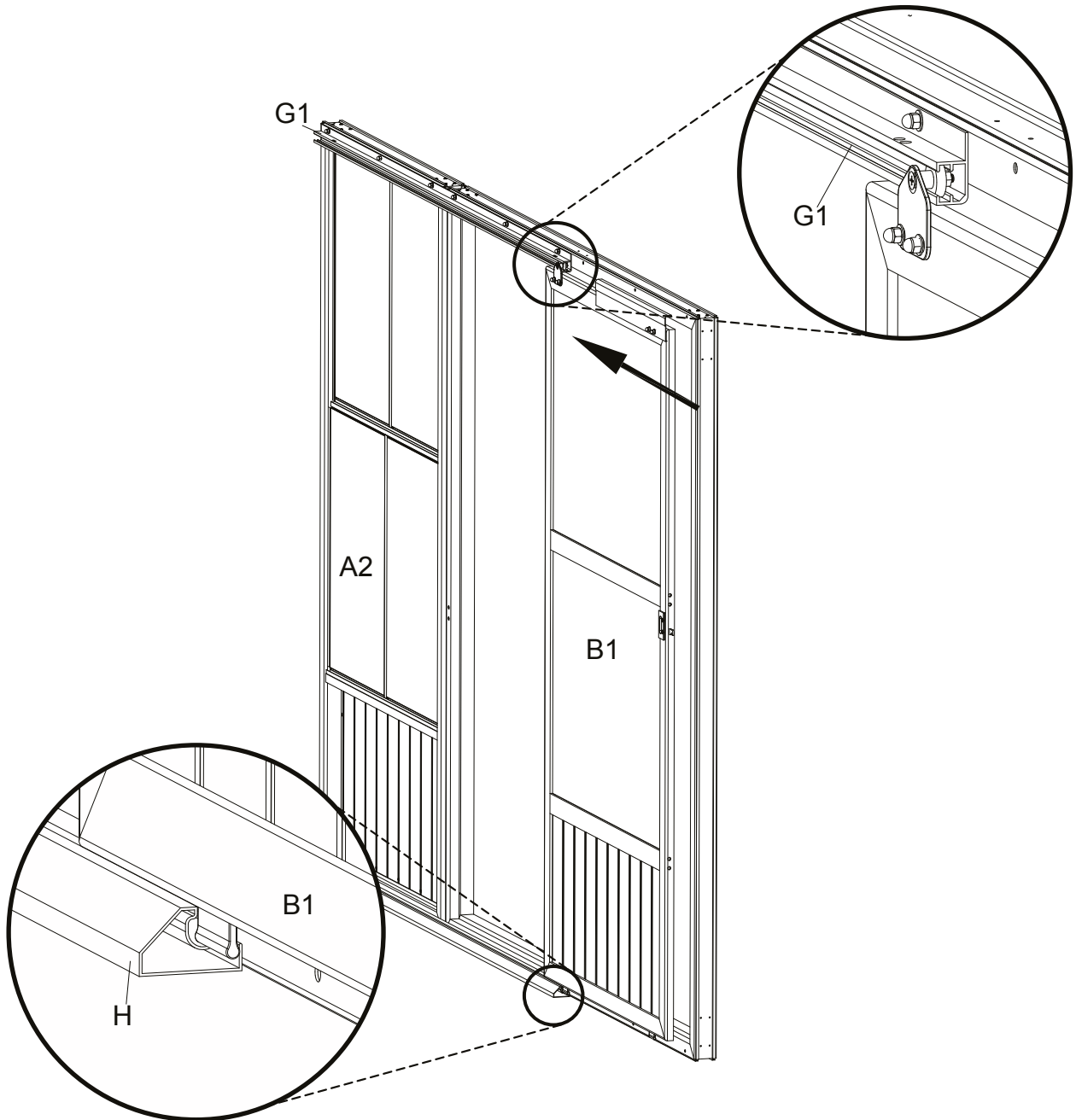
- A long rail labeled **G1x1**.
- Screws labeled **Wx6**.
- Spacers labeled **Xx6**.

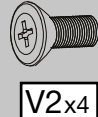
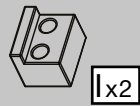
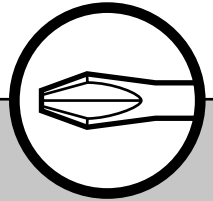
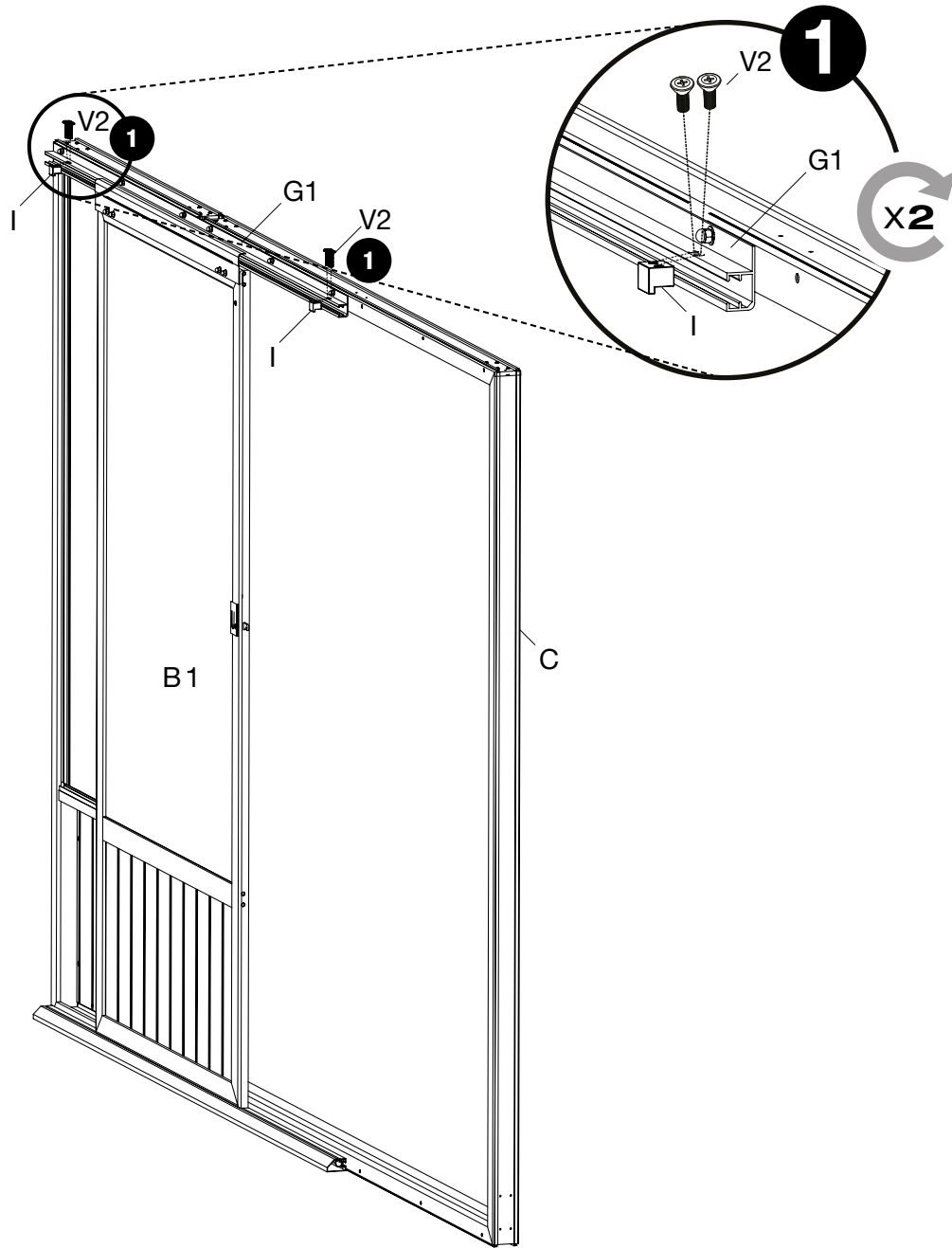
The safety icons include:

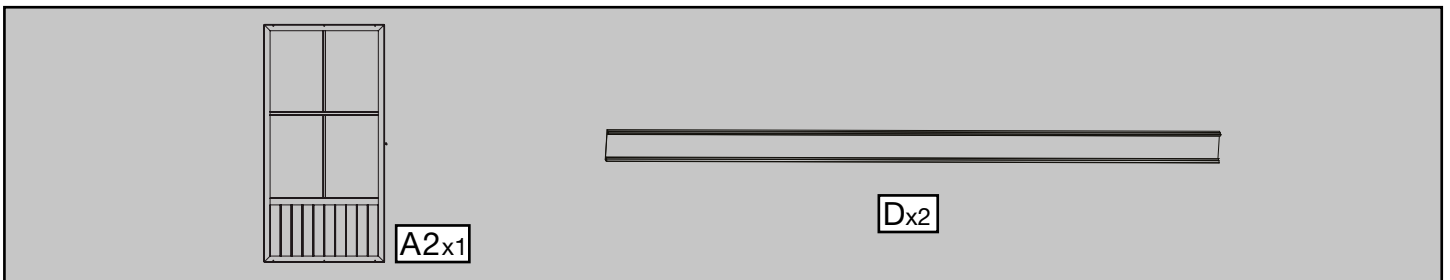
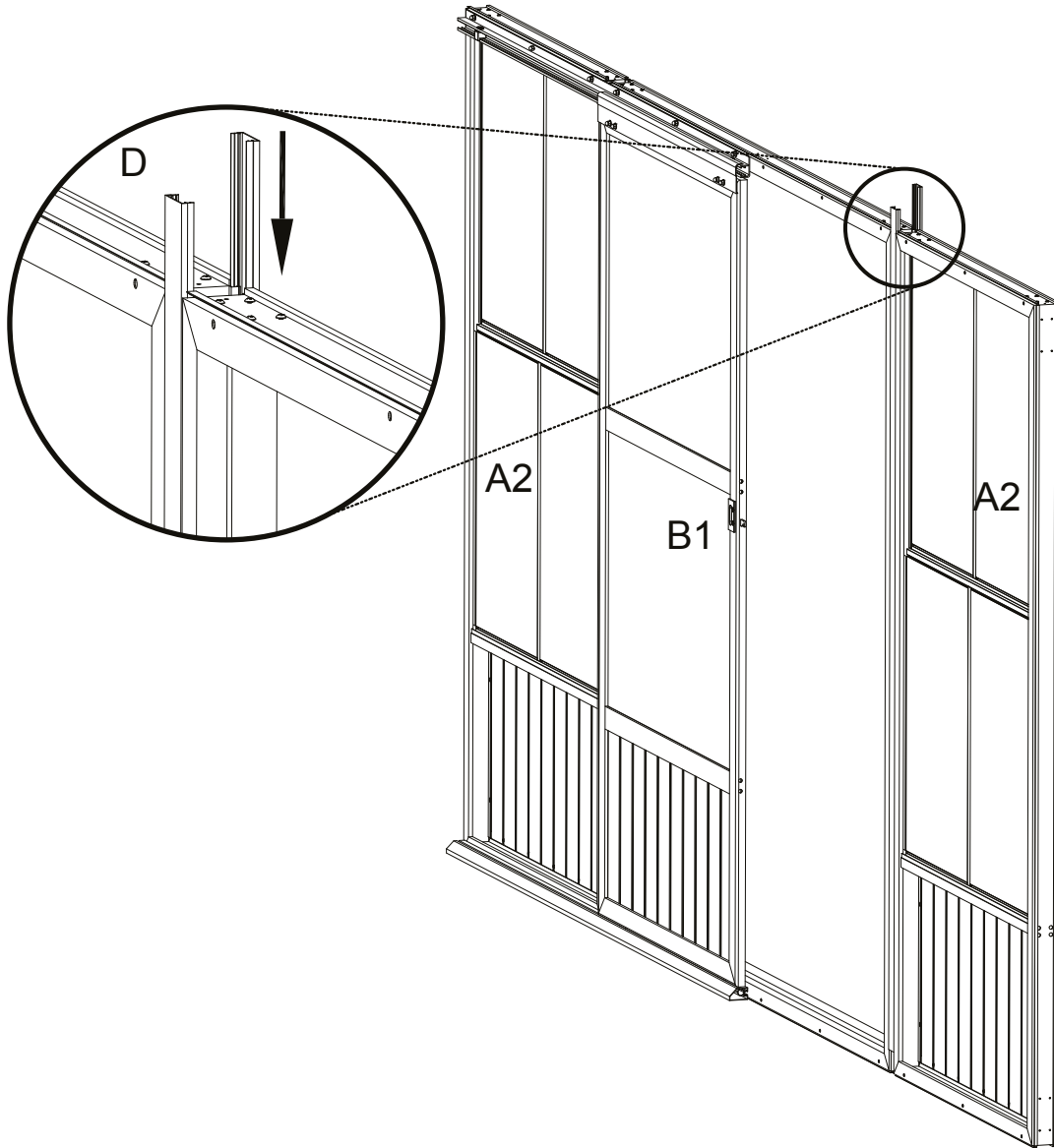
- A circular icon with two people and the text **2+**, indicating that at least two people are required for this step.
- A circular icon with a hand and a diagonal slash, indicating that no force should be applied during assembly.

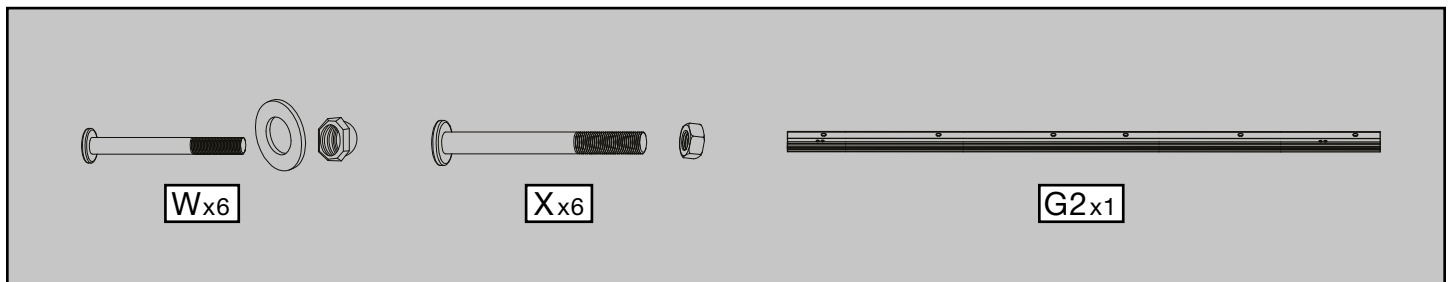
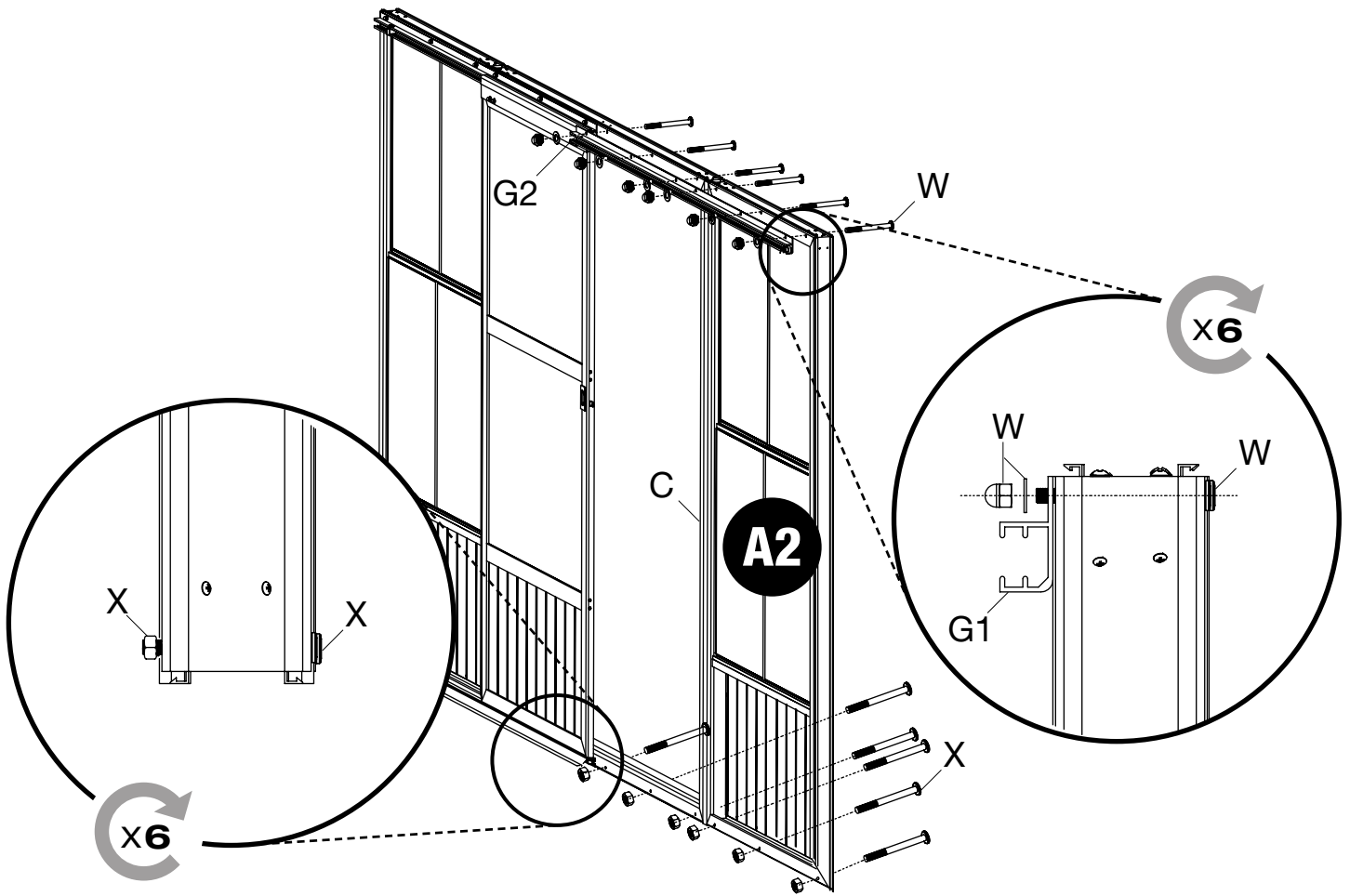


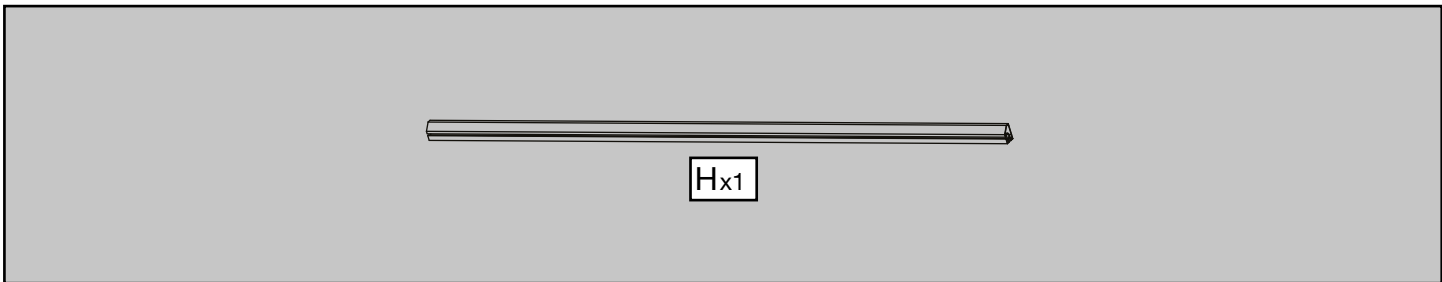
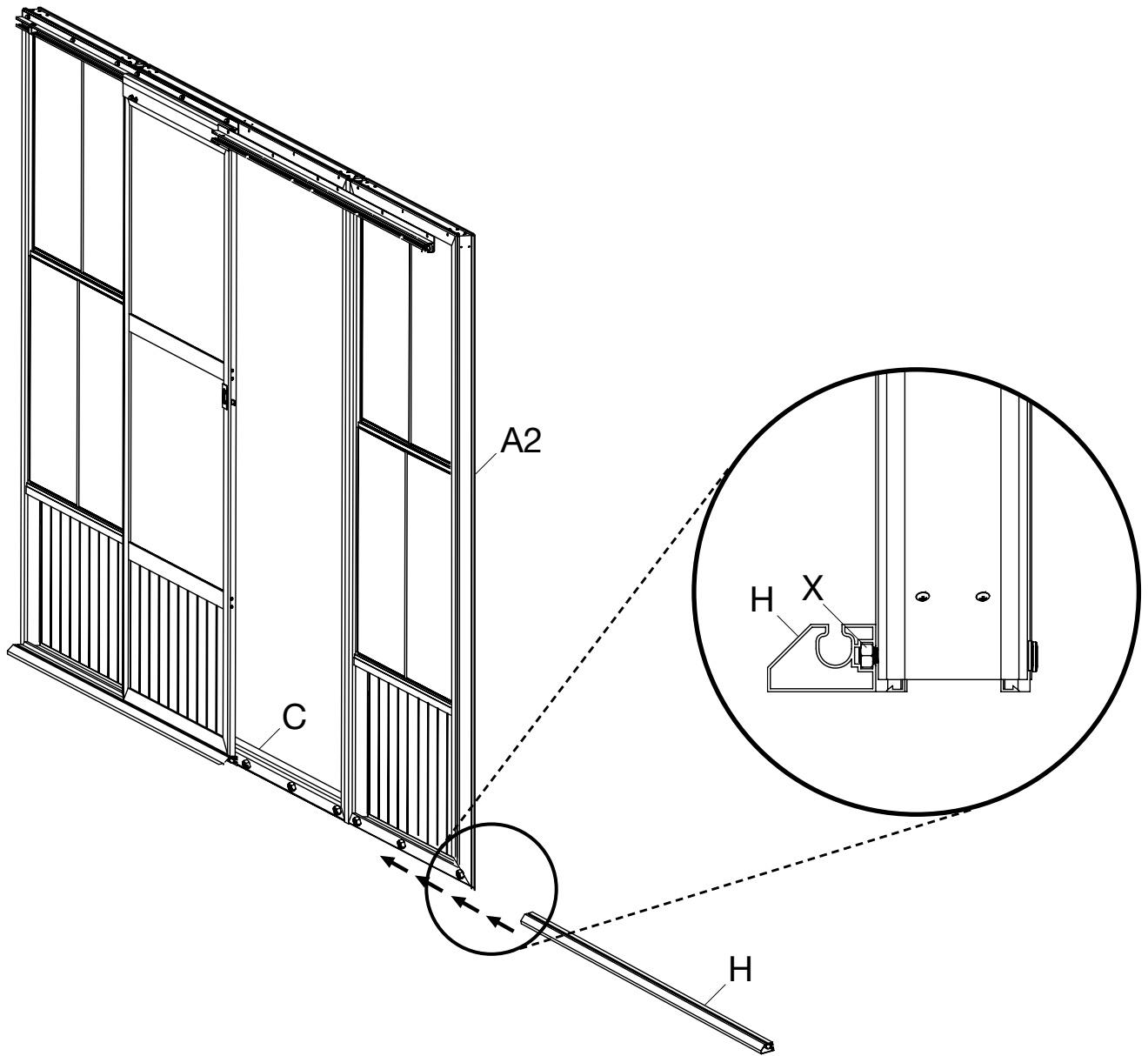


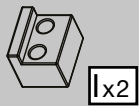
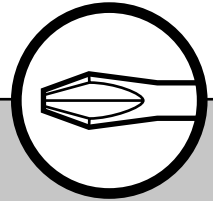
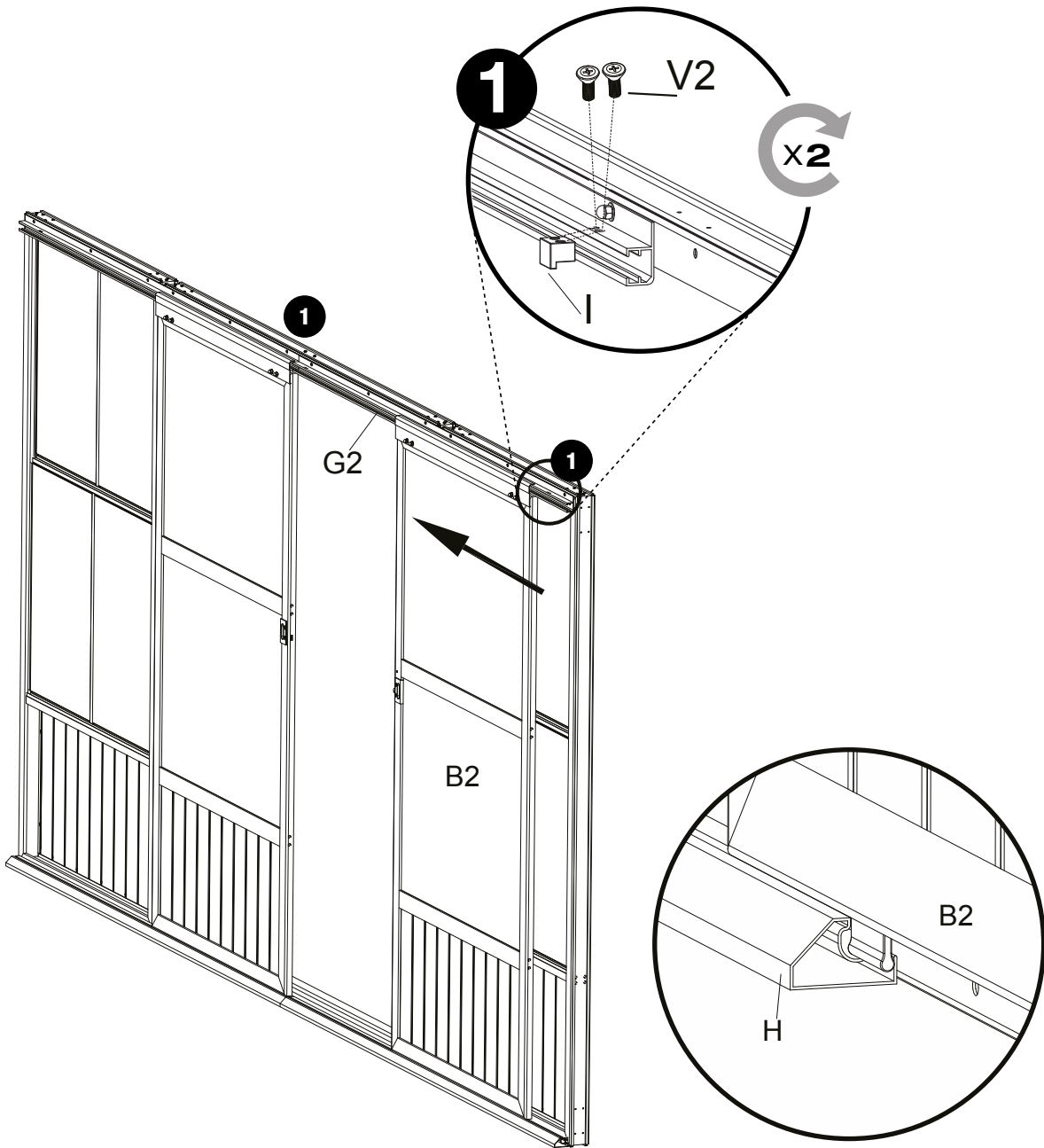


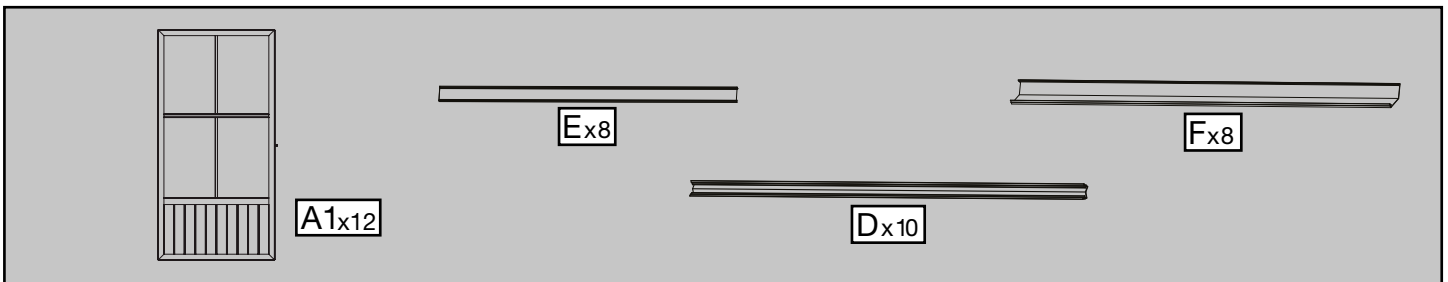
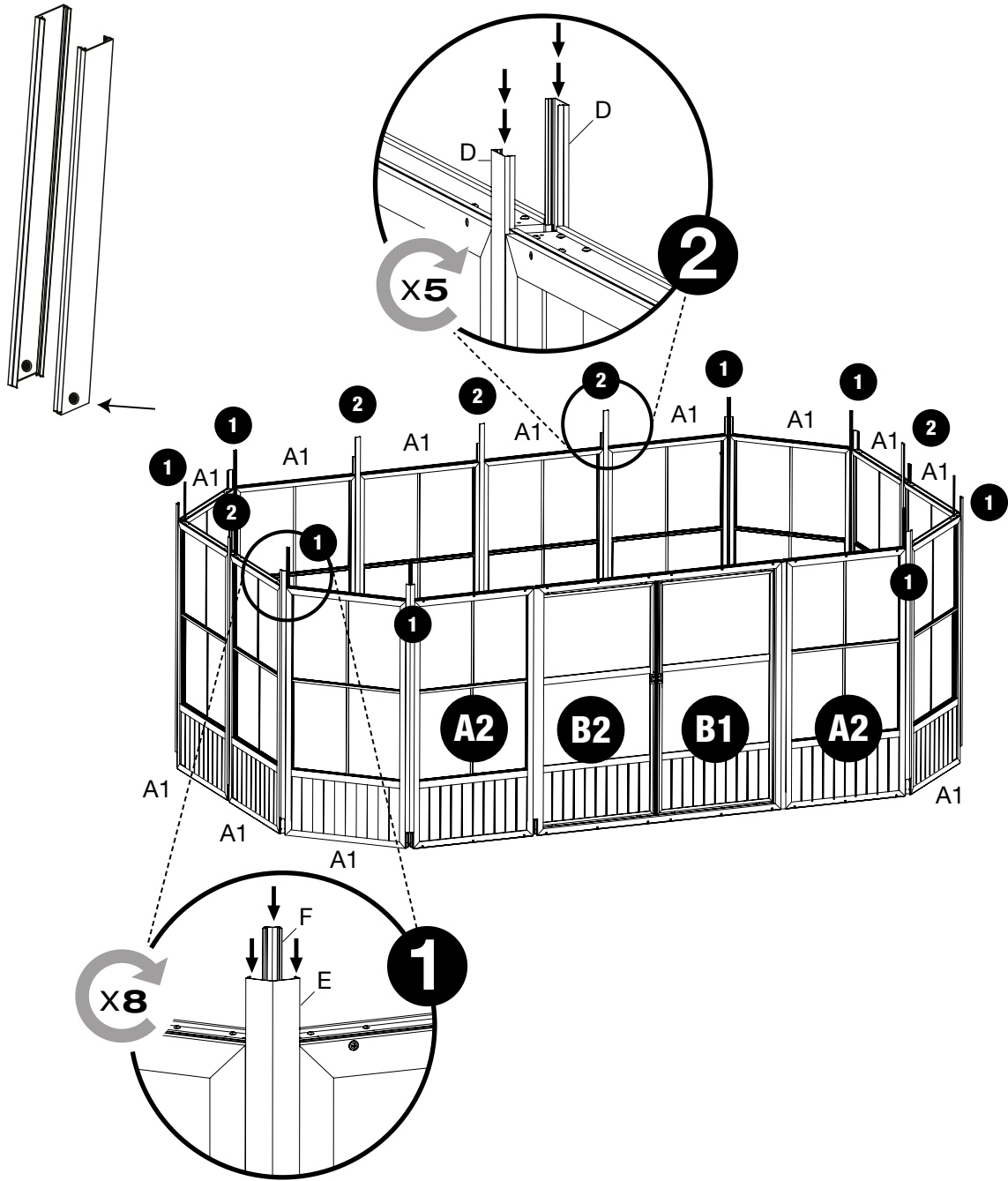


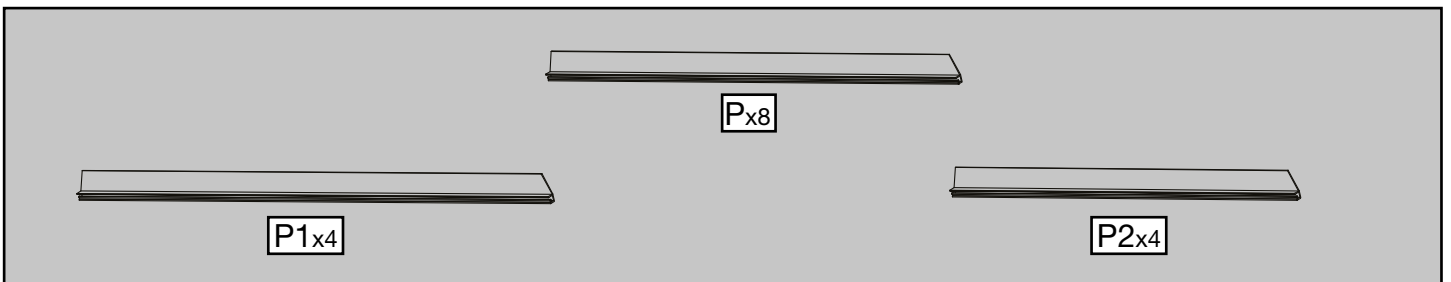
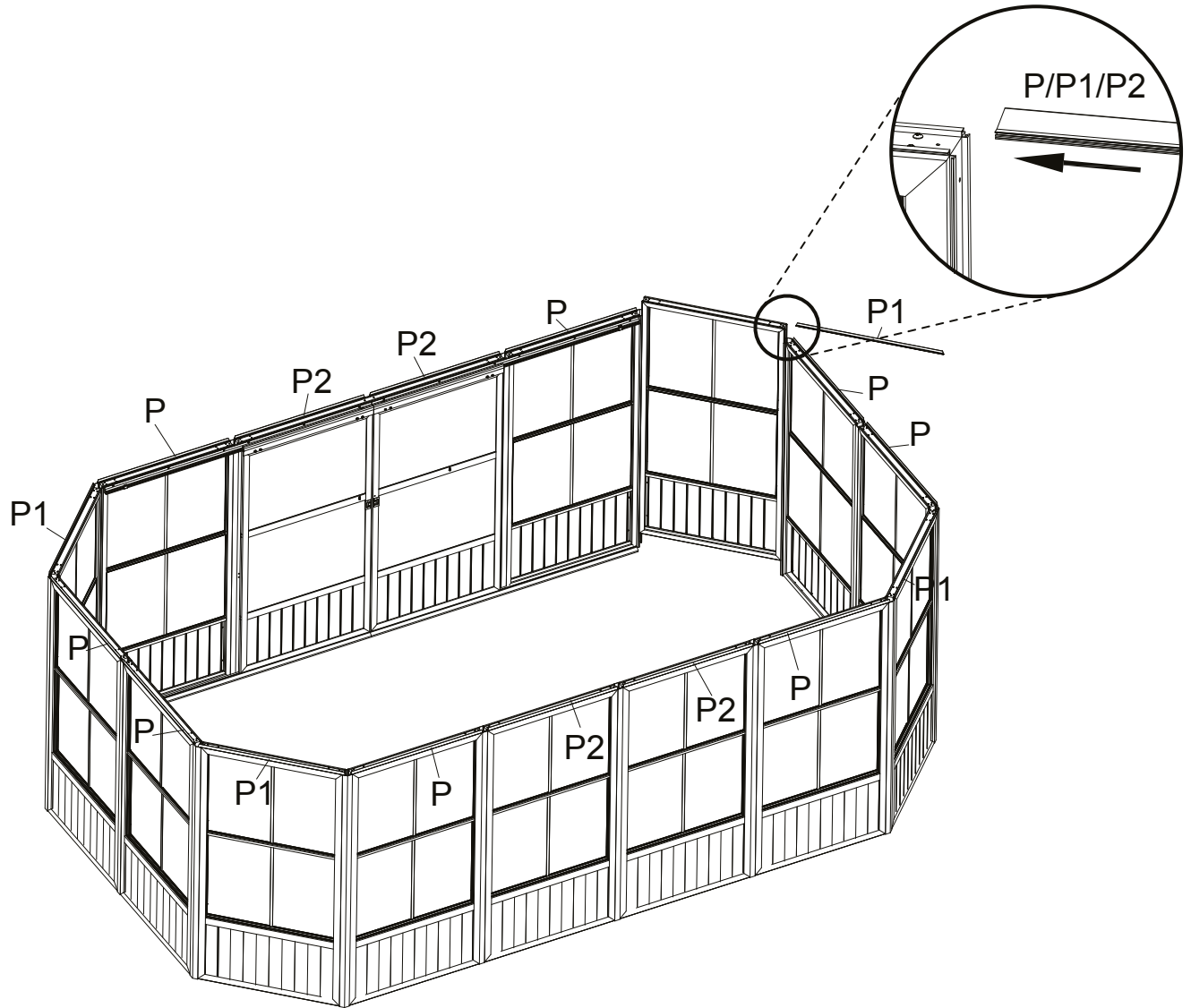


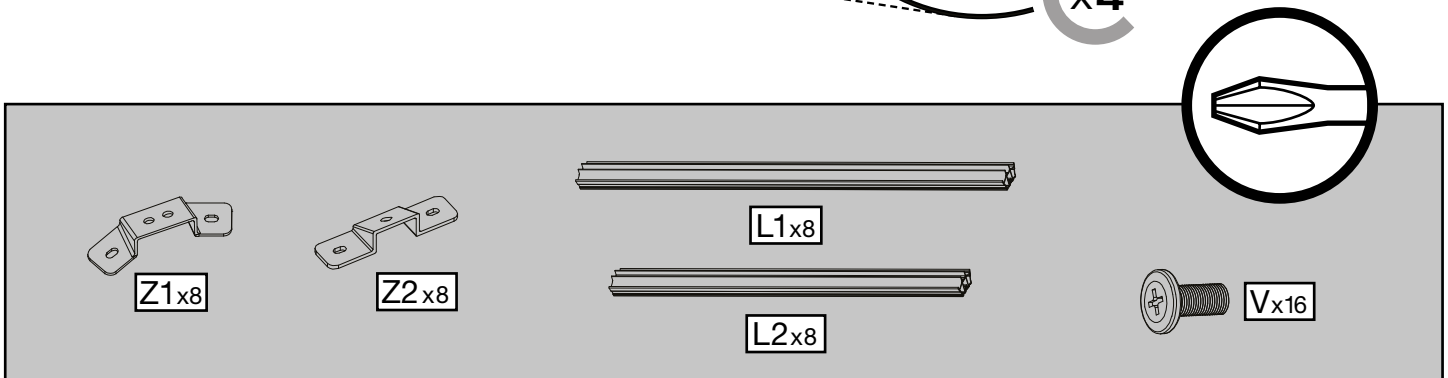
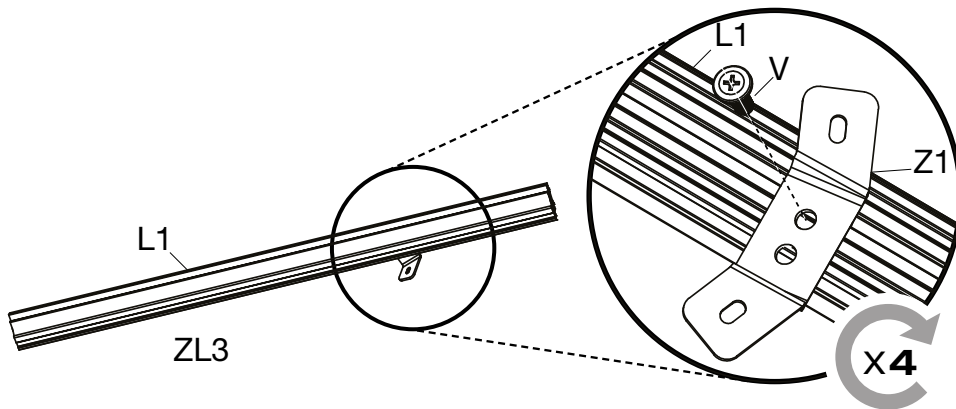
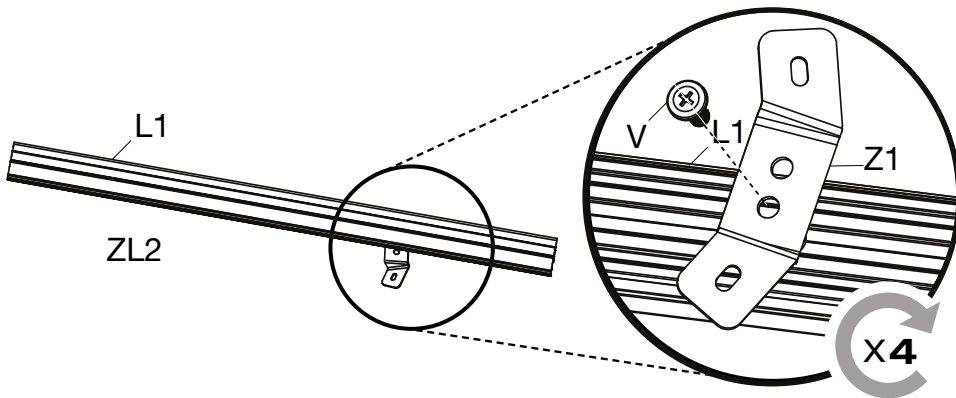
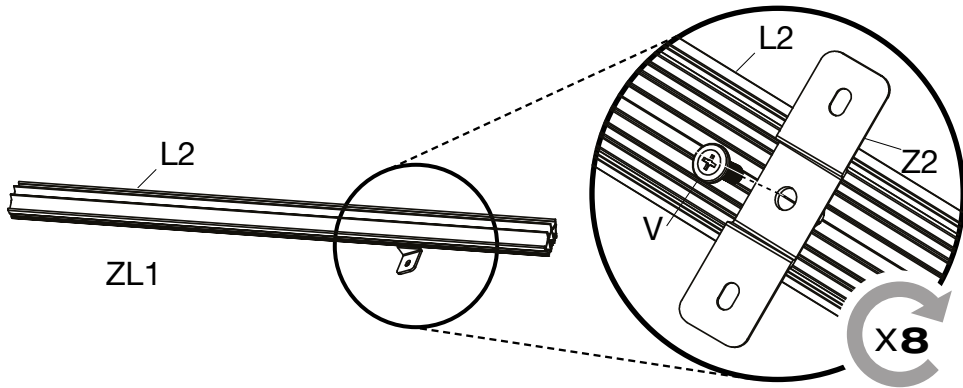


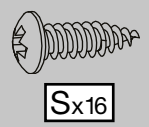
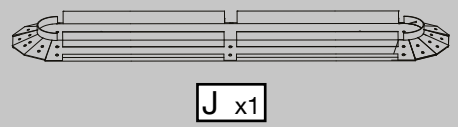
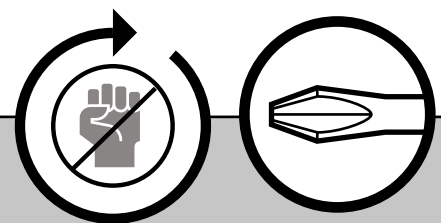
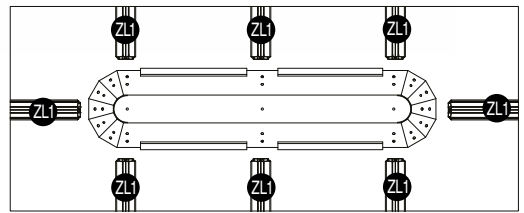
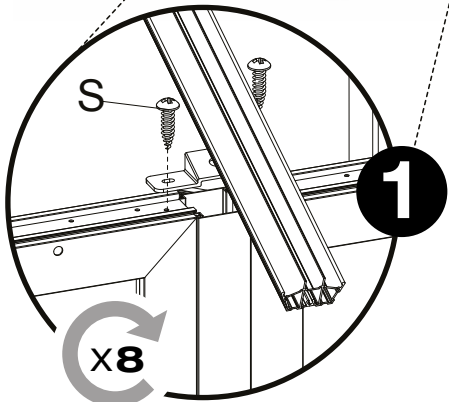
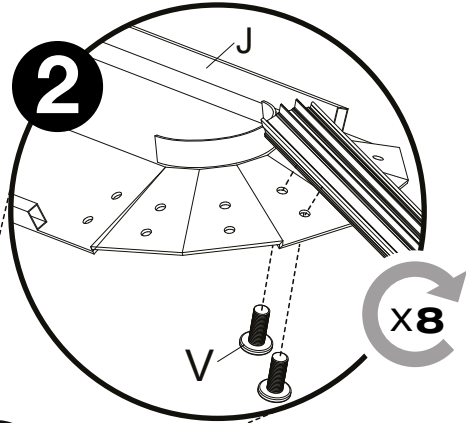
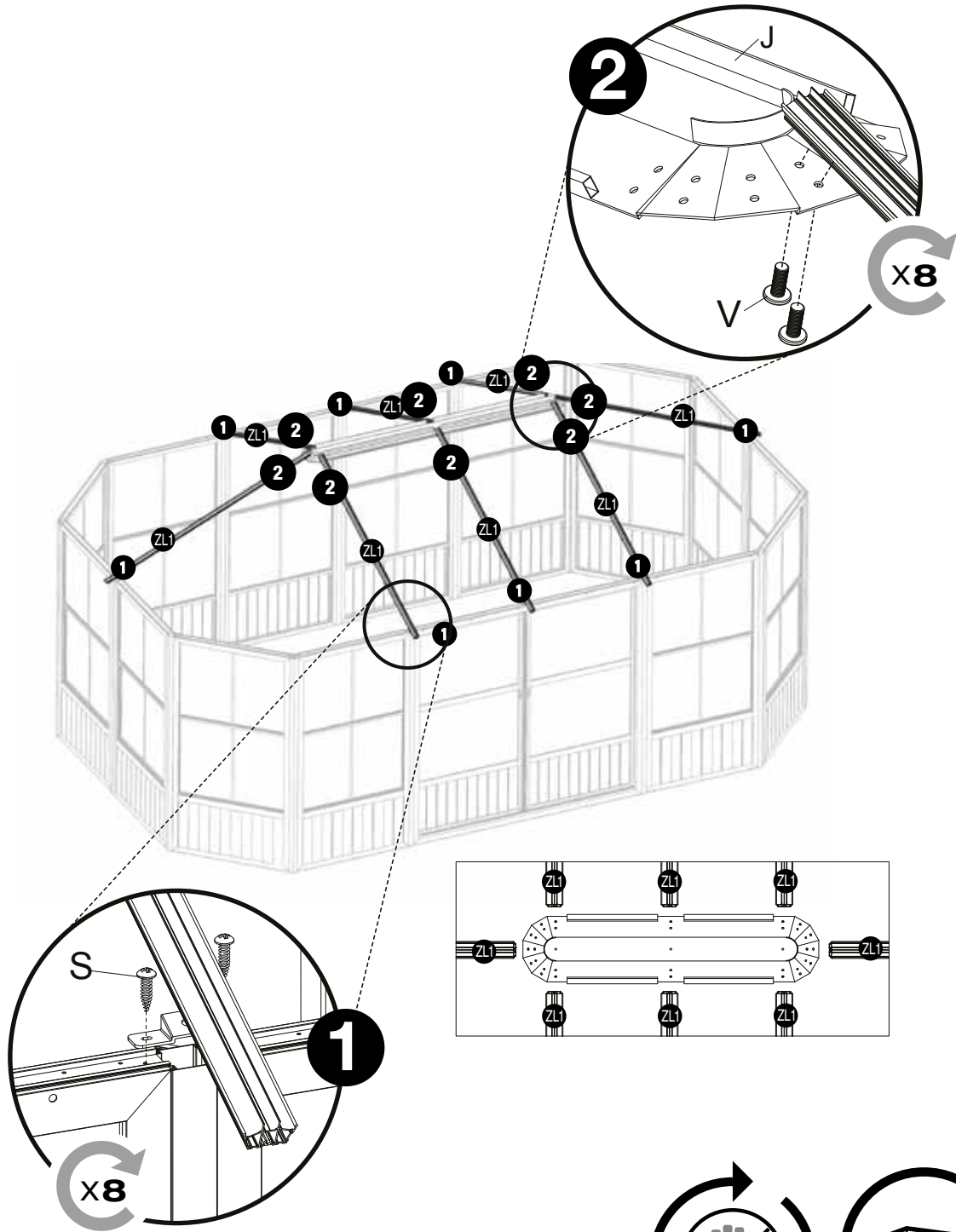


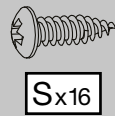
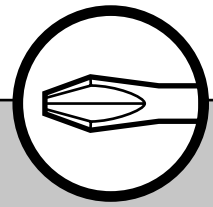
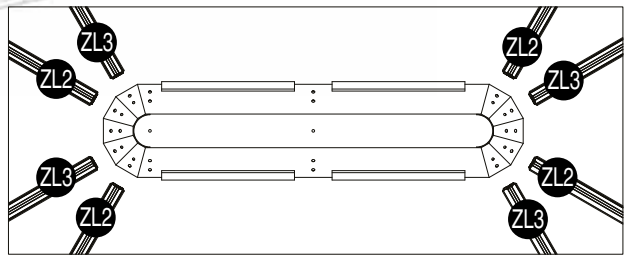
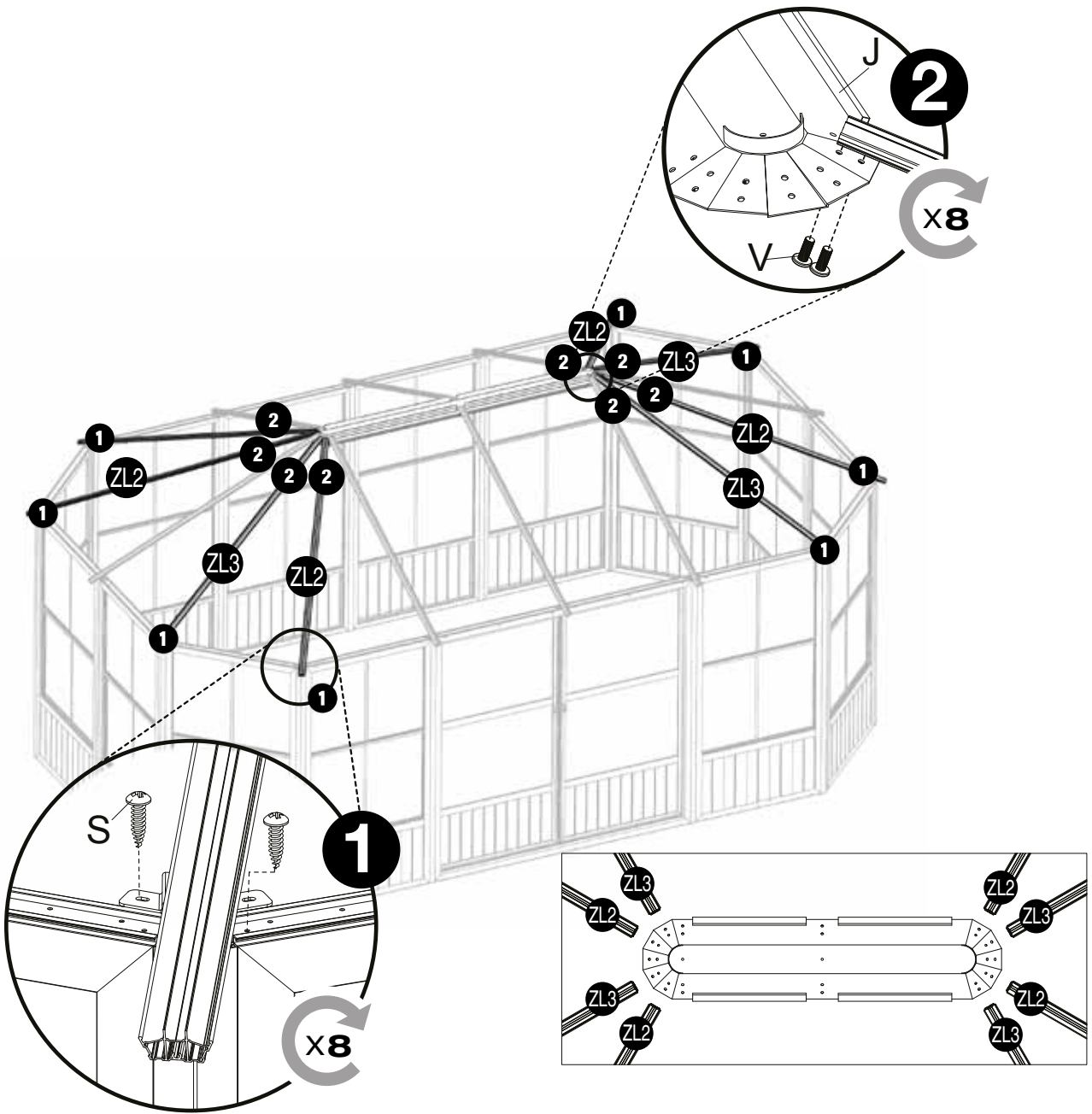


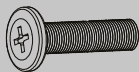
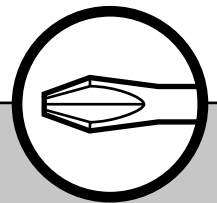
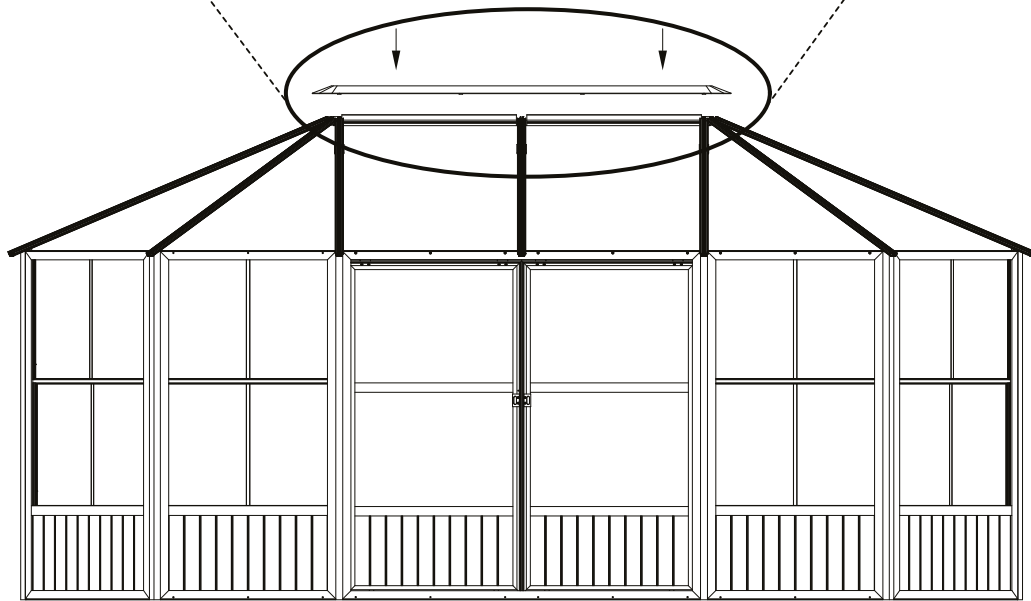
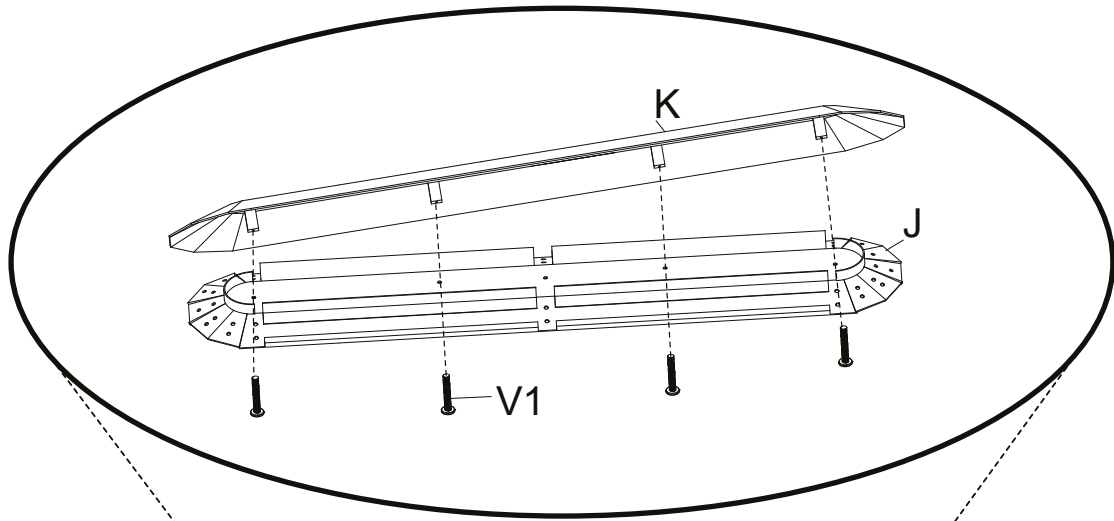




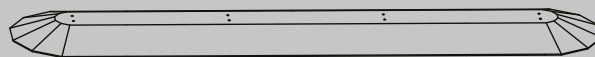




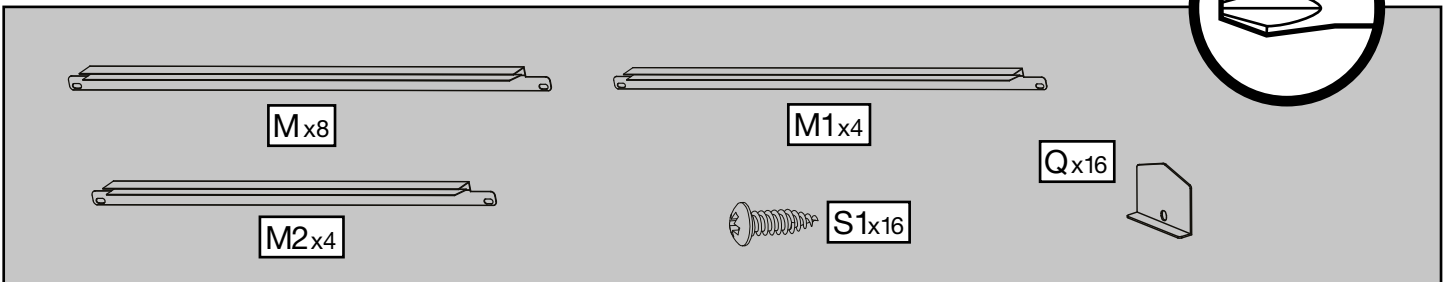
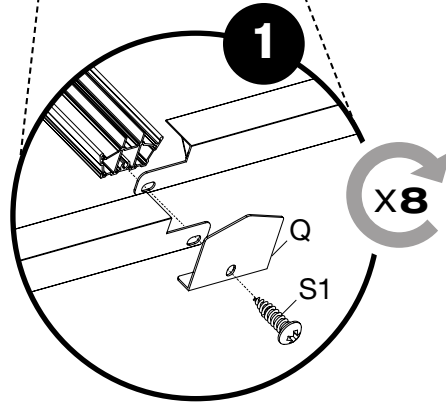
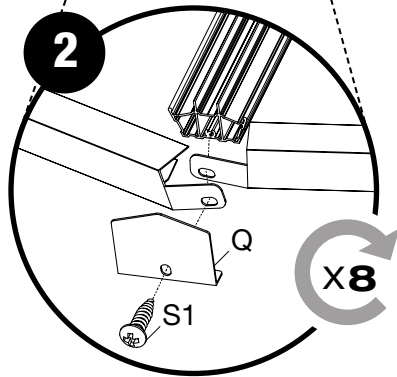
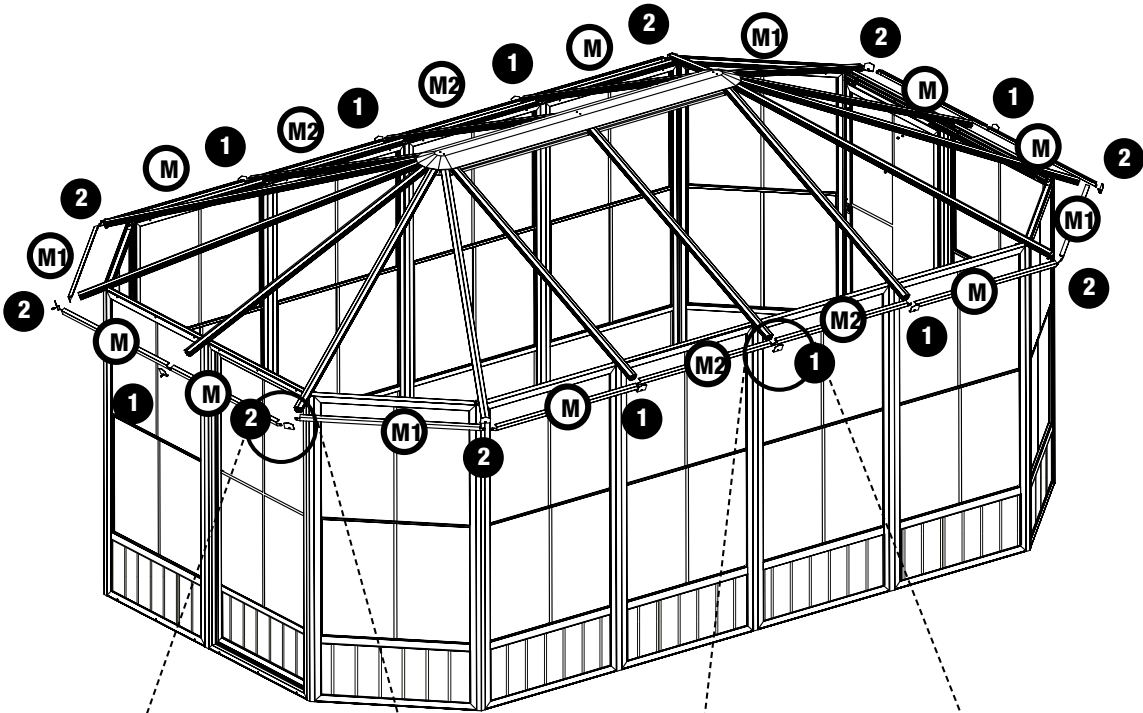
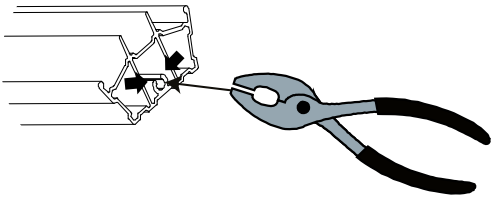


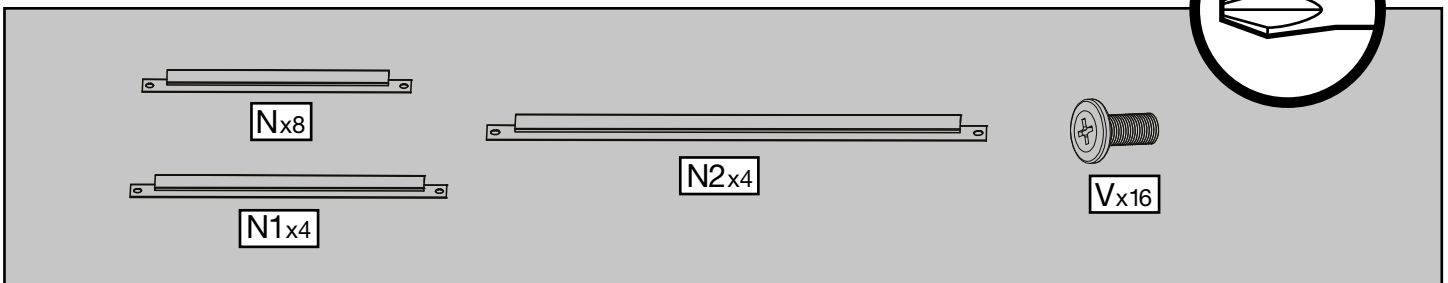
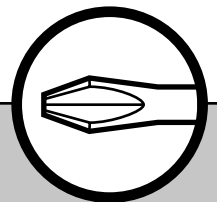
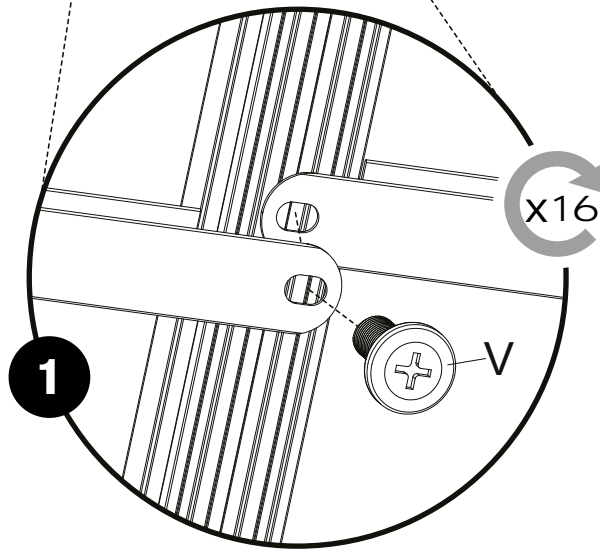
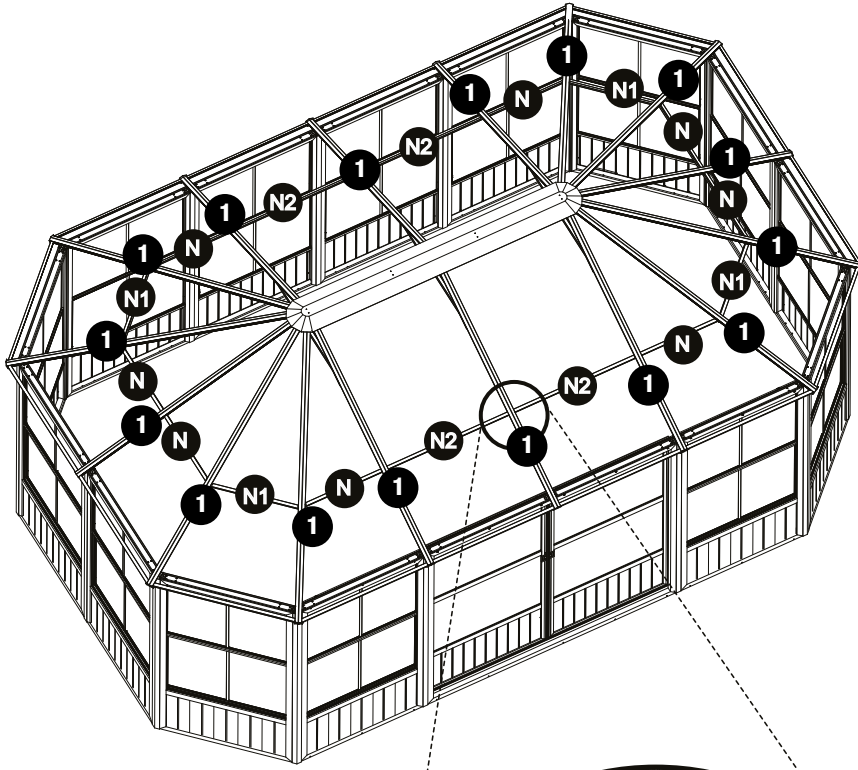


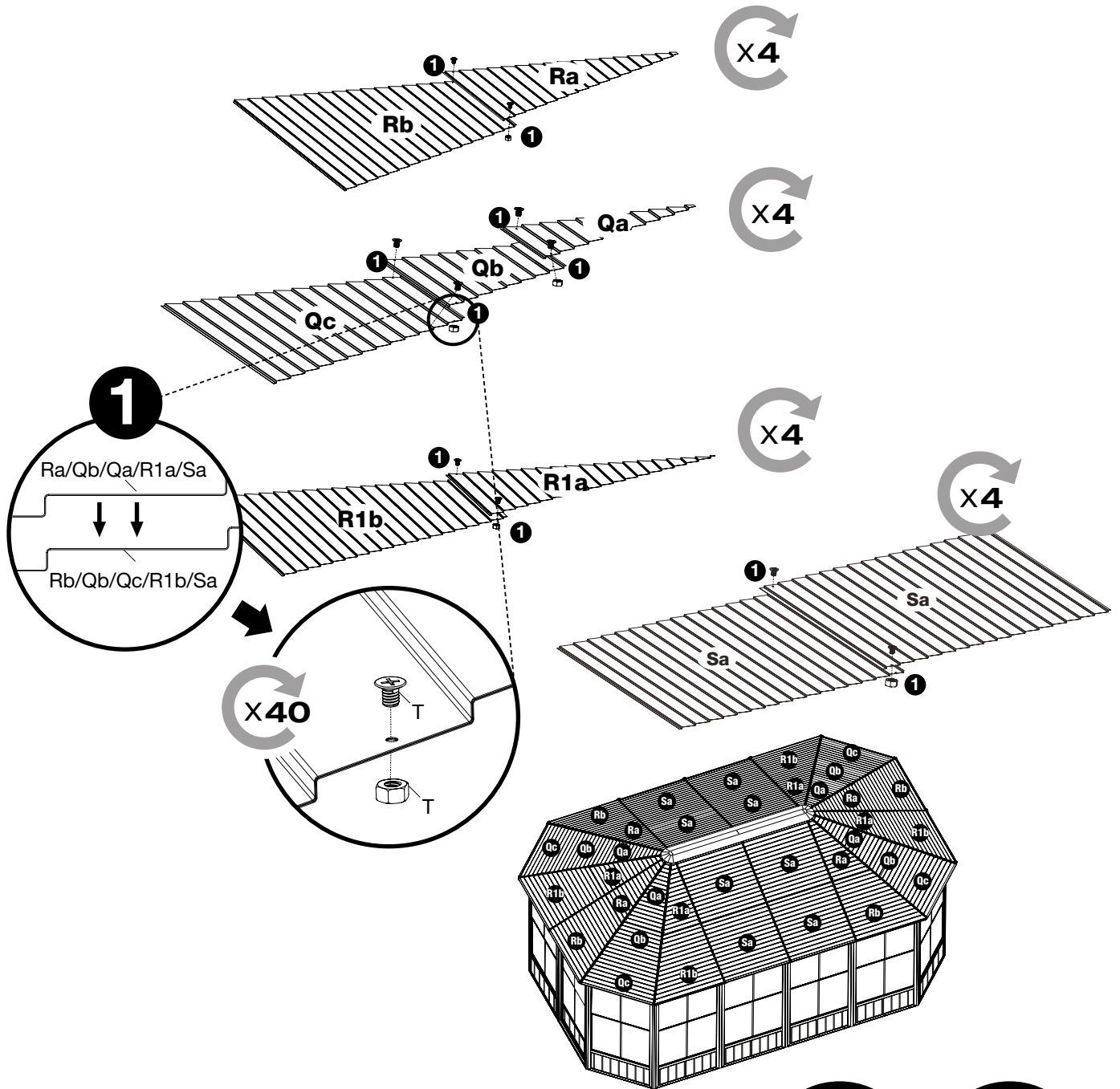
V1x4

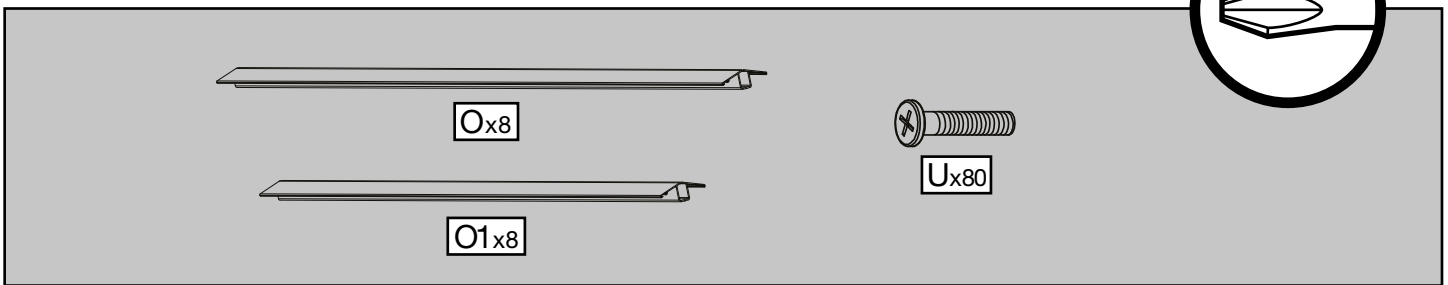
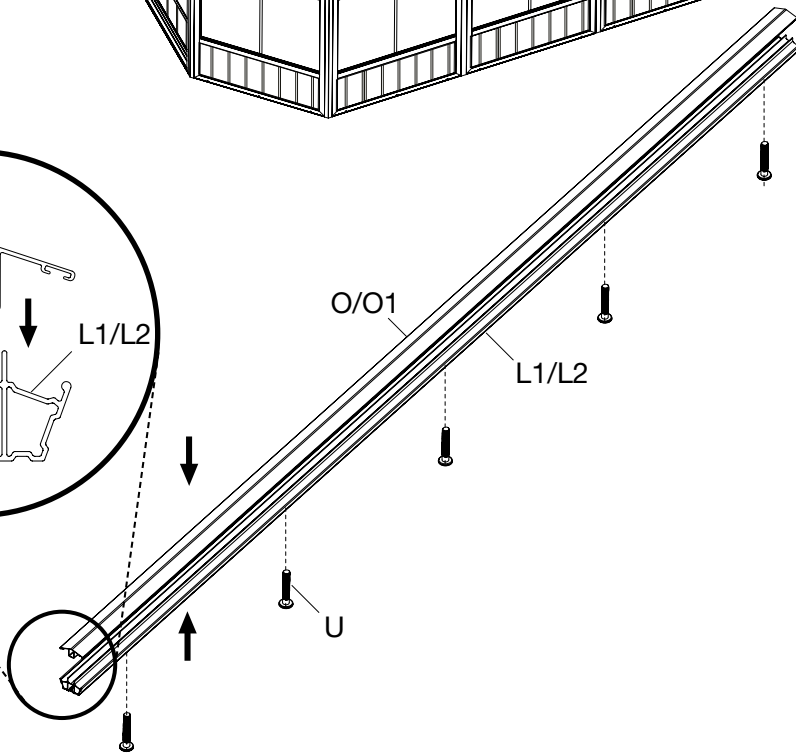
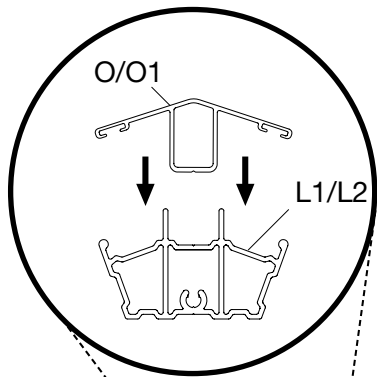
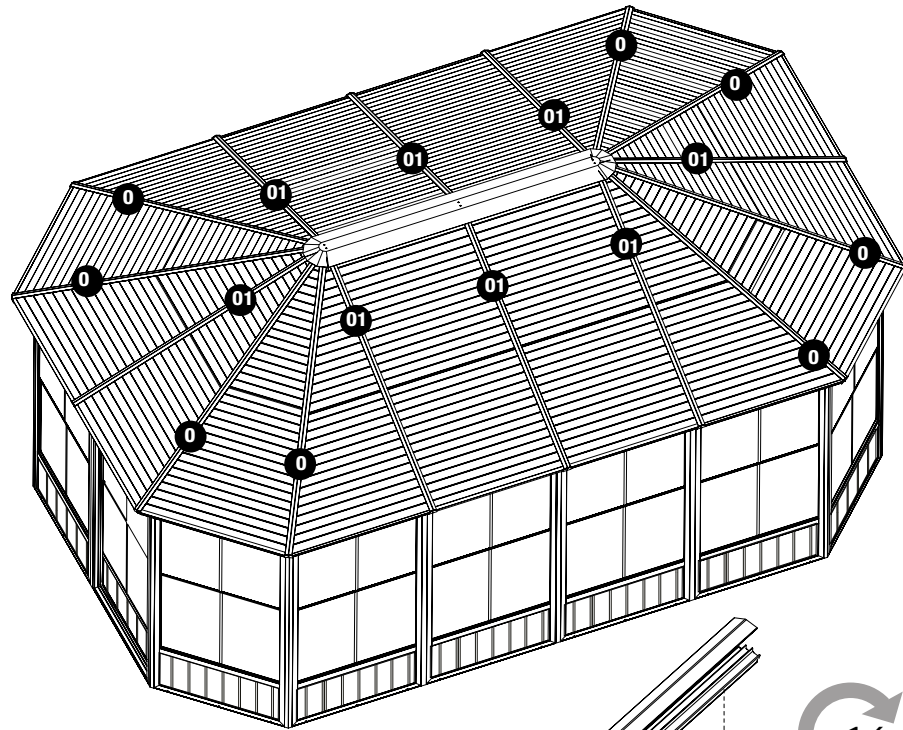


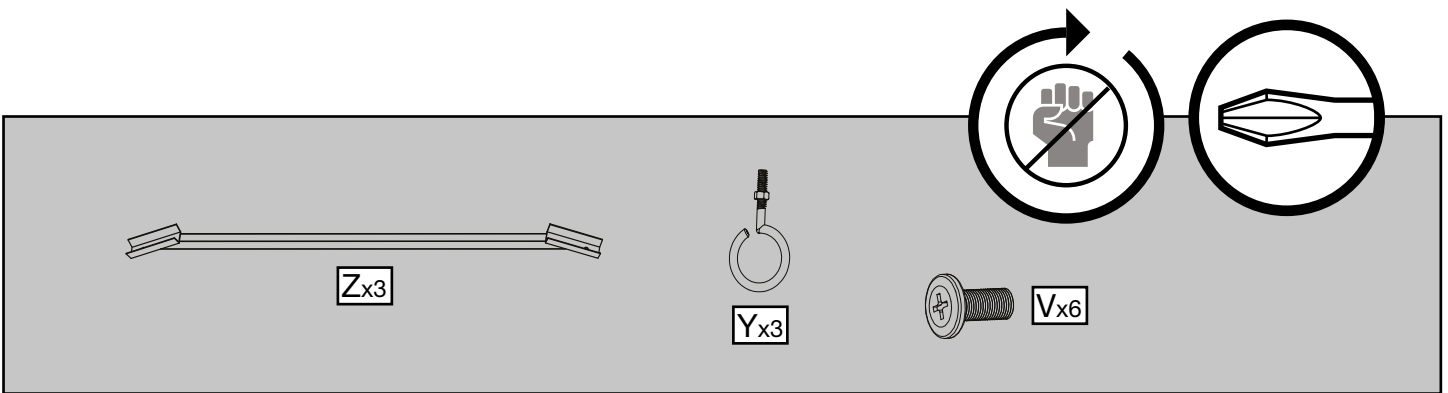
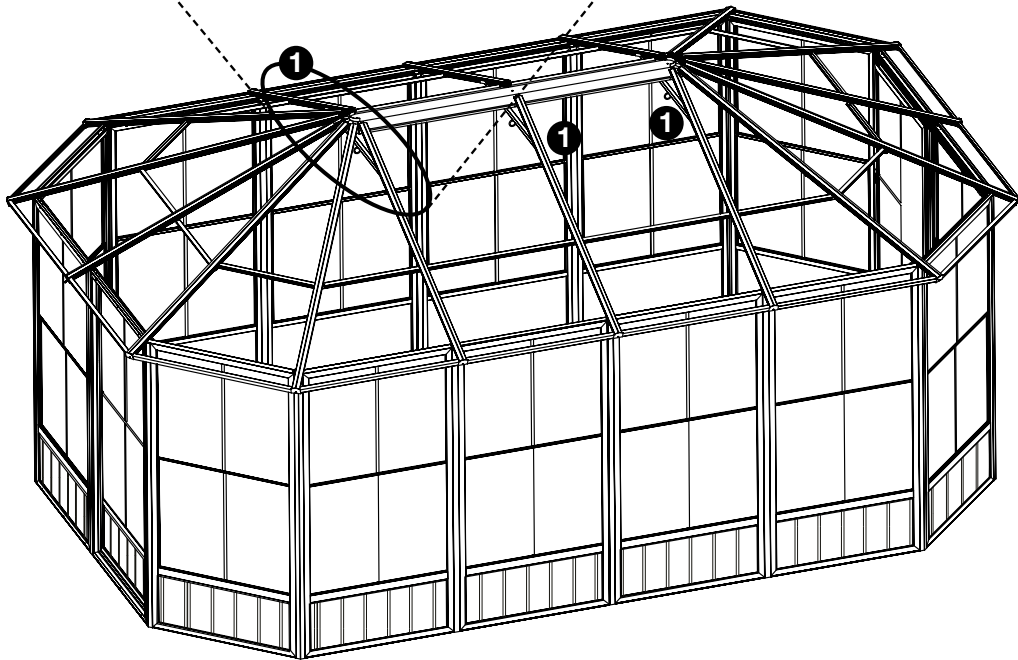
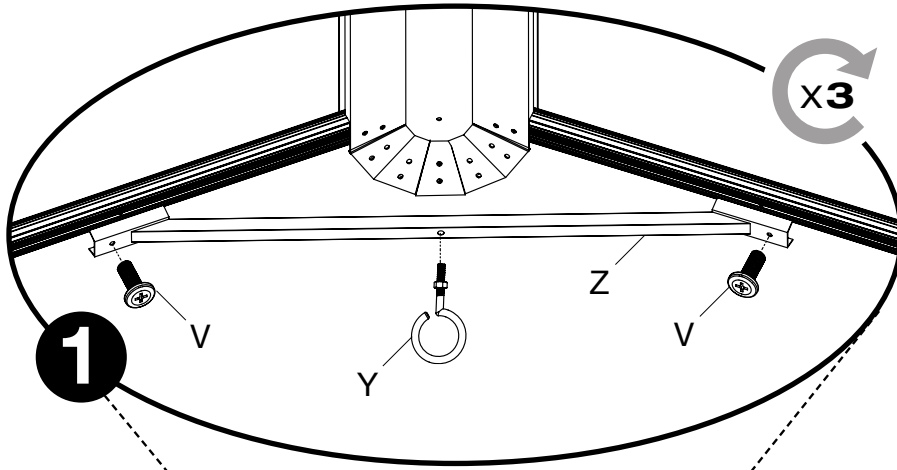
Kx1



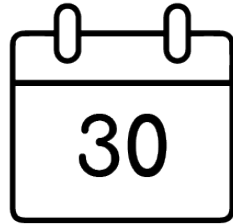








Register • Enregistrer • Regístrate
온라인 등록 • Registrieren



ShelterLogic.com/product-registration

50NRTH GmbH
Straßburgstraße 14-16
Germany 54516 Wittlich
phone +49 (0) 6571 / 95 117- 0
Fax +49 (0) 6571 / 95 117- 98
[www. 50NRTH.com](http://www.50NRTH.com)
info@50NRTH.com



SOJAG ■ I