



User manual
Gebrauchsanweisung
Gebruikshandleiding
Mode d'emploi
Manual de usuario
Manual de utilizador

FRAME POOL

12FTX30IN

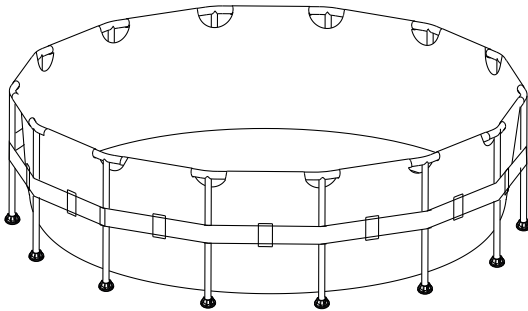
3.6M X 76CM

10FTX30IN

3M X 76CM

8FTX30IN

2.44 X 76CM



Important safety rules: Before installing and using this product read, understand, follow all instructions carefully and keep it for future reference!

Wichtige sicherheitsregeln: Bevor Sie dieses Produkt installieren und verwenden lesen, verstehen und beachten Sie sorgfältig alle anweisungen, und für künftige bezugnahme aufbewahren!

Belangrijke veiligheidsvoorschriften: Voor installatie en gebruik, zorg dat u alle instructies aandachtig leest, begrijpt, naleeft en bewaar dit document voor latere inzage.

Règles importantes de sécurité: Lisez, comprenez et suivez attentivement toutes les instructions avant d'installer et d'utiliser ce produit! Conserver pour consultation ultérieure!

¡Pare! ¡Lea, comprenda y siga toda las instrucciones atentamente antes de instalar y utilizar este producto!

Regras de segurança importantes: Antes de instalar e usar este produto, leia, compreenda, siga todas as instruções cuidadosamente e guarde-as para referência futura!





Instructions	4
English	5
Deutsch	17
Nederlands	28
Français	39
Español	50
Português	62

NOTE: Drawing for illustration purpose only. Actual product may vary. Not to scale. Before assembling your pool, layout and review the contents to become familiar with all the parts you will be using during the assembly:

HINWEIS: Die Zeichnungen dienen nur der Illustration. Das tatsächliche Produkt könnte etwas anders aussehen. Nicht maßstabsgetreu. Bevor Sie Ihren Pool zusammenbauen, breiten Sie den angelieferten Inhalt aus und überprüfen Sie ihn, um sich mit allen Teilen, die Sie während der Montage benötigen, vertraut zu machen:

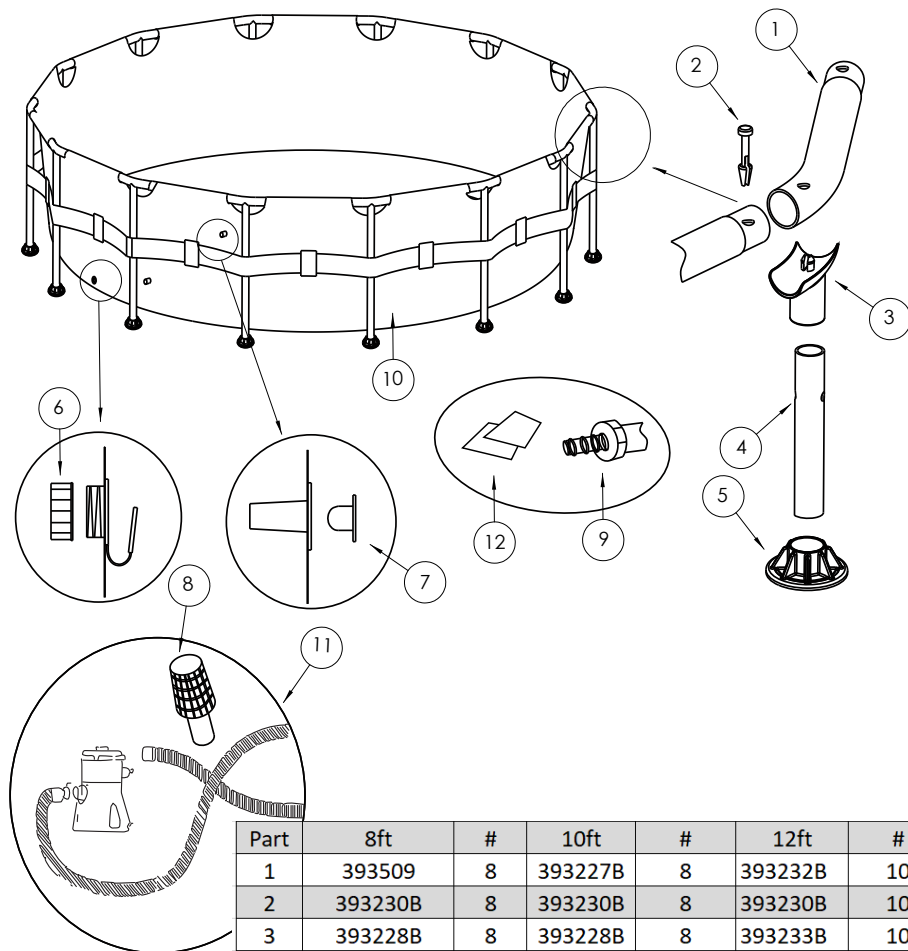
OPMERKING: de tekening is uitsluitend bedoeld voor illustratiedoeleinden. Het werkelijke product kan verschillen. Niet volgens schaal. Voordat u het zwembad monteert, moet u de inhoud openleggen en controleren zodat u de onderdelen die u bij de montage zult gebruiken, leert kennen:

REMARQUE : Dessin à but d'illustration uniquement. Le produit réel peut varier. N'est pas à l'échelle. Avant de monter votre piscine, disposez et passez en revue le contenu pour vous familiariser avec toutes les pièces que vous utiliserez pendant le montage.

NOTA: Las imágenes son solamente de referencia. El producto real puede variar. Escala no real.

NOTA: Imagem apenas para ilustração. O produto atual pode variar. Não está à escala. Antes de montar a sua piscina, disponha e analise o conteúdo para se familiarizar com todas as peças que utilizará durante a montagem:

1.0 Part reference



Part	8ft	#	10ft	#	12ft	#
1	393509	8	393227B	8	393232B	10
2	393230B	8	393230B	8	393230B	10
3	393228B	8	393228B	8	393233B	10
4	393229B	8	393229B	8	393229B	10
5	393231B	8	393231B	8	393231B	10
6	290366	1	290366	1	290366	1
7	290311	2	290311	2	290311	2
8	290312	2	290312	2	290312	2
9	290364	1	290364	1	290364	1
10	30.94.10	1	30.94.10	1	30.94.10	1
11	pump set	1	pump set	1	pump set	1
12	repair set	1	repair set	1	repair set	1



2.0 Introduction

Congratulations on choosing a EXIT Frame Pool!

Have fun, be active and play outdoors.....

That's what keeps driving us to develop innovative, quality toys for cool kids and parents.

We do everything possible to develop safe products for children. As our products are classed as toys, we comply with the toughest consumer safety regulations. Before launching our products onto the market, we have independent tests carried out for certification. We also continuously test our production runs and periodically have independent tests performed again as a further check. Only products which live up to the highest EXIT Toys standard are marked with and recognized by the EXIT-brand.

"We want to thank you for your custom and your confidence in this product. We're sure your kids will have as much fun as we did during development. Being open-minded, we really appreciate all comments and ideas which will help us improve our products or develop new ones. You are invited to send your ideas to us at info@exittoys.com"

Please visit www.exittoys.com and discover more cool new products.

The EXIT Toys team

3.0 Guidelines for safe use

Using your Frame Pool as instructed in this manual will eliminate virtually all hazards. However, please bear in mind that children have a natural urge to play and that this may lead to unforeseen dangerous situations for which the manufacturer cannot be held responsible. Teach your children how to use the product and point out possible dangers to them.

Before assembling and using the product, please read and observe these main warnings:



WARNING: To enhance the enjoyment of your pool and protect the safety of those in and around the pool, **ALWAYS STRICTLY OBSERVE** the following safety and maintenance instructions:

- 1). It is the responsibility of the pool owner to identify and obey all local and state laws pertaining to above ground swimming pool safety PRIOR to set-up or use of the pool. These include, but are not limited to, laws on: decks, fences, barriers, covers, pool ladders, lighting, and required safety equipment. Please consult your local authorities to ensure compliance.
- 2). Do not allow unattended Children in the pool. Always make sure that at least one responsible adult is supervising all Children and those who do not know how to swim AT ALL TIMES. Never swim / bathe in the pool alone.
- 3). NEVER permit diving or jumping into the pool. Never enter the pool from any decks or other raised surfaces. The water level in your pool is extremely shallow and is not suitable for these activities. Failure to heed these in-structions can result in serious injury or even death.
- 4). Do not permit Children or adults to engage in any "rough-housing" or other aggressive sports or activity in or around the pool. Failure to observe this guideline can result in serious injury for those in and around the pool area.
- 5). Always maintain the proper pool safety equipment in an easily accessible area adjacent to your pool. Clearly post emergency phone numbers as well as safety advisories and rules (such as "No Jumping or Diving" and "Do Not Swim Alone"). Do not allow bathers in the pool unless the area is sufficiently bright or lighted.
- 6) All filtrations are in agreement with the installation standard NF C 15-100 that all electric appliances located within 3.50 m for the pond and with a free access should have a low voltage supply of 12V. All electrical appliance supplied with 220V must be located at least at 3.50 meter from the edge of the pond. Consult the manufacturer for any change of one or several elements to the filtration system. (For France Market)



7). The safety of your children is up to you! The risk is greatest when children are younger than 5 years old. The accidents do not only happen to others! Be ready to face it!

8). Watch and act:

- Supervision of children must be close and constant;
- Designate one responsible for security;
- Strengthen monitoring when there are multiple users in the pool;
- Teach your children to swim as soon as possible;
- Wet neck, arms and legs before entering the water;
- Learn lifesaving, especially those specific to children;
- Forbid diving or jumping in front of young children;
- Forbid running and violent games around the pool;
- Do not allow access to the pool without a safety vest for a child not knowing how to swim and not accompanied in the water;
- Do not leave toys near unmonitored pool;
- Keep water clear and healthy;
- Store water treatment products out of reach of children;

9). Plan:

- Phone near the pool, do not leave your children unattended when you call;
- Buy and pole near the pool;

10). Moreover, some devices may contribute to security:

- Barrier whose portal will be constantly kept closed (e.g. a hedge cannot be regarded as a protective barrier);
- Manual or automatic cover properly positioned and secured protection;
- Electronic sensor to detect or drop in service and operational, but not a substitute for close supervision;

11). Accident:

- Remove the child from the water as quickly as possible;
- Call for help immediately and follow the advice that given to you;
- Replace wet clothes with warm blankets;

12) Store and view pool number of first aid:

- Fire: (18 for France); (112 Europe)
- EMS: (15 for France); (112 Europe)
- Poison Center; (112 Europe)

13). Prohibit access to the pool for the deterioration or the system(s) filter;

14). Do not submerge;

15). Do not walk on the edge;

16). Warning: Never put the empty swimming pool in the open air.

<p>PREVENT DROWNING</p>	<p>⚠ WARNING</p> <p>Closely watch children who are <i>in or near</i> this pool. Children under 5 are at highest risk for drowning.</p>
--------------------------------	---

<p>Stay away from drains & suction fittings</p>	<p>⚠ WARNING</p> <p>Your hair, body & jewelry can get sucked into drain. You could be held under water & drown!</p>
---	--

<p>NO DIVING!</p>	<p>⚠ WARNING</p> <p>You can break your neck and be paralyzed!</p>
--------------------------	--

4.0 Site selection

WARNING: Pools installed on inadequately level surfaces are subject to leaking, forming irregularities, or collapse, which can result in property damage or serious injury for those in or around the pool area!

WARNING: Do not use sand during setup process. If it appears that there is a need for use of a “leveling agent”, then your set-up site is likely unsuitable. FAILURE TO OBEY THIS WARNING MAY RESULT IN SERIOUS PERSONAL INJURY.

CAUTION: Please choose your set-up area carefully, as lawn and other desirable vegetation underneath the ground cloth (If applicable) will die. Furthermore, try to avoid setting the ground cloth (If applicable) in areas prone to aggressive plant and weed species, as they may grow through the ground cloth (If applicable).

CAUTION: The pool must be accessible to a 110 or 230-volt AC outlet protected by a Ground Fault Circuit Interrupter (GFCI). The pool should be set no closer than 10 ft. to the power source, but no further than the length of the filter pump cord. Under no circumstances should an extension cord be used to extend the range of the connection.

It is absolutely essential to select a suitable site for your pool BEFORE attempting to fill it with any water. Please select a set-up site which strictly conforms to the following guidelines:

Guide 1. Ensure that the area is firm, flat (no bumps or mounds of earth) and extremely level, with a grade not exceeding 3° of slope at any point in the set-up area.

Guide 2. Make sure that the area you have selected to set-up the pool is completely free of sticks, stones, sharp objects or other foreign debris.

Guide 3. Select an area that is not directly underneath overhead power lines or trees. Additionally, make sure that the pool set-up area does not contain underground utility pipes, lines, or cables or any kind.

Guide 4. A ground cloth will help protect the pool liner from damage due to weed growth, sharp objects, and debris.

Guide 5. If at all possible, choose an open location on your property that is exposed to direct sunlight. This will help to warm your pool.

Flat, Level Ground-CORRECT

Bumpy, Sloping Ground-INCORRECT



5.0 Set up the pool

IMPORTANT: Do not start assembly if any pieces are missing. For replacement pieces call the Consumer Service telephone number in your area.

The number of persons required for installation: 2 adult at least.

Total installation time except the time for site preparation and water filling:

30 up to 45 minutes.

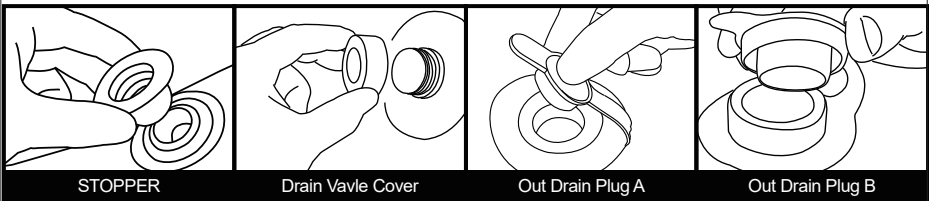
Step 1. Account for all parts.

Remove all the parts from the carton(s) and place them on the ground in the location where they are to be assembled

Check each part according to "PART REFERENCE" 1.0. Make sure all the pieces to be assembled are accounted for.

Step 2. Install drain valves cover and stopper.

Make sure that outer drain plug is inserted into the outer drain cap and drain valve cover is screwed on tightly. Plug the connection holes with the stoppers. (The out drain plug changes according to different size of pool.)



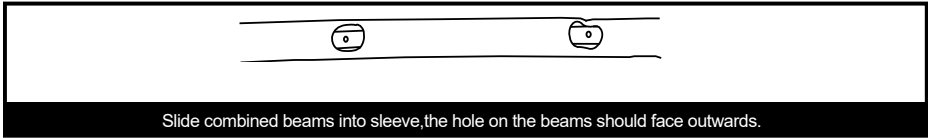
STOPPER

Drain Valve Cover

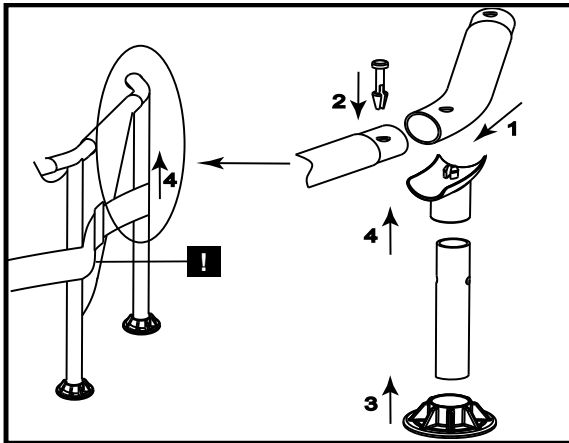
Out Drain Plug A

Out Drain Plug B

Step 3. Install the horizontal beams



Step 4. Install T-joints and frame



4.1. Use the connection end of the T-Joint to connect the adjacent horizontal tubes.

4.2. Insert the Pin into the hole of connected tubes

4.3. Install the vertical leg cap onto the vertical leg.

4.4. Insert the vertical leg into the T-Joint through the belt.

Step5. Fill the pool

WARNING: Do not leave pool unattended while filling with water.

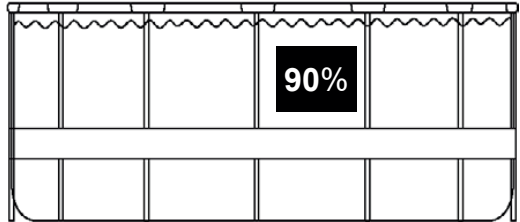
WARNING: If more than 1~2 inches of water collects on any one side before you start filling in the center. The pool is not level enough, and must be corrected! You shall pull out the drain plug, release the water completely, disassemble the pool completely, locate the pool on a plane surface, repeat set up instruction.

WARNING: DO NOT OVERFILL as this could cause the pool to collapse. In times of heavy rainfall you may need to empty some of the water to ensure the level is correct.



5.1. Make sure the drain fitting is plugged securely and the cap is in place. Start filling the pool with water. After about 1-inch of water is on the bottom, stop filling and smooth wrinkles out of the bottom of the pool. Pull the outer wall out from the top edge, all around the bottom of the pool, so that it fills evenly.

5.2. Continue filling the pool until water level .



6.0 Disassembly and storage

WARNING: Do not let your children stand at downfold and face the water outlet during the drainage. The water current may sweep your children.

WARNING: Pool should be stored at places where it is cool and dry, with no sharp object surrounded, or no heavy objects lying above, which may cause damage to the pool.

Step 1. If you have a filter pump, make sure that the electricity source to the filter pump has been disconnected.

Step 2. Check to ensure that the out drain plug is firmly inserted on the inside of the pool.

Step 3. Attach your garden hose to the drainage valve connector, and placing the other end of the hose in an area where the water can drain safely, such as a storm drain or street gutter. Remember that because water always finds its own level, the end of the hose must be lower in elevation than the pool to ensure complete drainage.

Step 4. If you have a filter pump, insert the stopper into the inlet and outlet fixtures, on inside of pool, and then disconnect the filter pump hoses.

Step 5. Attach the drainage valve connector to the drain outlet by turning connector in a clockwise direction.

Step 6. Open the out drain plug on the inside of the pool and the water will begin to drain immediately.

Step 7. Disconnect the hose and drainage valve connector when finished.

Step 8. Replace the out drain plug on the inside of the pool.

Step 9. Be sure that the pool liner is completely dry before folding the pool for long-term storage. Leaving the pool exposed to sunlight for a few hours will clean and speed the drying process and make it easier to fold the pool for storage. (Never attempt to fold or stow a pool that is not completely dry as this could lead to a



proliferation of mold or mildew build-up during the time the pool is in storage.)

Step 10. Remember, proper off-season storage is critical to protect your investment in your pool.(espeically in winter) Once drained and dry, your pool should be carefully folded and wrapped in a ground cloth (if available) or other similar protective tarp-like material. The pool and all applicable accessories such as the pump, cover, ground cloth, ladder, hoses, clamps, and hardware should be kept together and stored indoors, in a reasonably warm, dry and weatherproof location.

6.1 Folding instruction

Before folding, it's better to dry all parts and pool completely by lying them in the sun for one hour or so.(PIC.1). And then, spread some talcum powder to prevent the vinyl from sticking together.

Step 1. Please fold the protrusion sides inside to gain rectangle shape. (PIC.2).

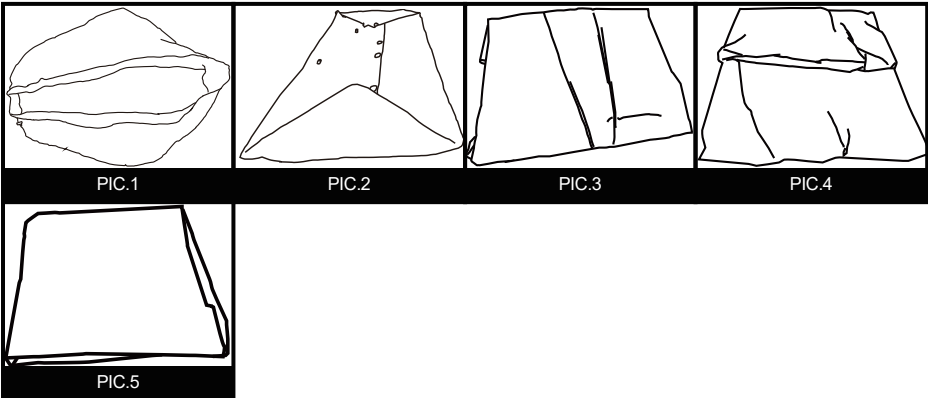
Step 2. Fold each half of the rectangle to gain a smaller rectangle shape. (PIC.3).

Step 3. Fold each ends backwards. (PIC.4).

Step 4. Fold the rest ends together to create an ultimate rectangle one. (PIC.5).

TIPS 1. Please remove air inside to make the folded pool thin and flat during each folding.

TIPS 2. The original packing can be used for storage.





7.0 In-season pool maintenance and care

WARNING: If applicable, the filter pump included with your pool is designed to remove dirt and other small particles from your pool water. However, to maintain pool water that is perfectly clear, algae free, and safe from harmful bacteria, it is VERY IMPORTANT TO ENGAGE IN A CONSISTENT REGIMEN OF CHEMICAL TREATMENT. Contact your local pool supply retailer for guidance on the safe and effective use of chlorine, shock, algaecide and other such chemicals.

WARNING: To avoid skin and eye irritation or even injury to bathers, never add chemicals to the pool while it is occupied. Never add any chemicals or substances to your pool if you cannot verify the exact quantity or type to add to the water. Consult a pool supply retailer for specific instructions and guidelines concerning the use of chemicals in your pool.

WARNING: It is highly recommended that pool owners frequently test their pool water to ensure that the pH and chlorine concentration in the water is optimal for safe and enjoyable bathing throughout the season. Please consult your pool supply retailer to find a suitable testing kit and instructions on its use.

WARNING: Non-respect of the maintenance rules may result in serious hazards for health and especially for the children.

This product is designed to be storable, seasonal pools. If you live in a temperate area in which the pool will not be in use year-round, it is STRONGLY RECOMMENDED that you drain your pool, clean and dry it thoroughly, and store it in a protected area for the off-season. This will help extend the life of your pool and prevent a safety hazard from developing while the pool is not in use. During the season of use of the pool kit, the filtration system (if applicable) must be put into service each day, long enough to ensure at least a complete renewal of the volume of water.

In order to keep your pool water clean and hygienic all season long please closely adheres to the following guidelines:

1. The proper and consistent use of basic pool chemicals are required to maintain the proper pH balance in your pool water. Furthermore, the application of chemicals will help prevent the growth of harmful bacteria or algae in your pool, and assist your filter-pump in keeping your water crystal clear. Chemical that your pool may require include but are not limited to:

1) Tabular, Granular, or Liquid Chlorine: Disinfects pool water and inhibits algae growth.

2) PH Adjusting Chemicals: These are used to correct PH level and make water more or less acidic.

3) Algaecides: These chemicals are formulated to remove algae.

4) "Shock" (Super chlorinator): Eliminates certain organic and other combination compounds that can affect water clarity.

In order to obtain specific details on the use of chemicals, please consult a local pool supply retailer and provide them with the volume of water in your specific pool, and if desired, a sample of your pool water. This will enable them to properly instruct you on: 1) which chemicals to purchase, 2) what quantities of chemicals to purchase, and 3) how to use specific chemicals safely and effectively.



2. Never let chlorine come into direct contact with the pool liner until it has completely dissolved. This means that granular or tabulated chlorine is first dissolved in a bucket of water before applying to pool water, and likewise, liquid chlorine is slowly and evenly poured into pool water from various locations around perimeter of pool.

DANGER: NEVER add water to chemicals. INSTEAD, always add chemicals to water. Also, never mix separate chemicals together, rather, add chemicals to the pool separately and allow them to circulate throughout the pool before adding additional types of chemicals.

3. We recommend that you purchase a test kit, and frequently test your pool water to make sure that your PH balance and chlorine levels are optimal. Your local pool supply retailer can provide information on purchasing and using a test kit that is most suitable for your needs. NOTE: Excessive chlorine levels or low (acidic) pH levels can damage your pool liner, so please take corrective action as soon as possible if testing reveals either condition.

The tasks of removing larger debris from your pool and keeping the inside of the pool liner clean are simplified by using a take corrective action as soon as possible if testing reveals either condition. included as a bonus feature in larger pool systems, and can also be purchased separately as an accessory. Please contact your local after sale service center if you want to get advice on any repair during the life of the pool kit.

4. If applicable, check your filter-pump cartridge every two weeks (or more frequently during periods of heavy usage) to verify whether it needs to be cleaned or replaced. If your cartridge is no longer white in color, attempt to spray it clean with a strong blast of water from your garden hose. If your cartridge cannot be cleaned in this manner, the cartridge must be replaced. Failure to frequently clean and/or replace your cartridges will affect the effectiveness of your filter pump and could shorten its useful life.

5. If your pool system included a cover, try to keep your pool covered at all times when not in use. This will help keep the wind and other elements from depositing dirt and debris in your pool, and will also prevent excess rainwater from overflowing your pool.

6. Remind your family and friends to always hose or rinse off any dirt or tanning oil from their hands, feet, and body prior to entering the pool.

7. It's necessary to monitor the bolts and hardware of the pool (eg. rust stain) when possible.

8. Once your pool has been filled with water for th season, take note if your pool becomes overfilled due to rainwater or accidental overfill. If this should occur, it is important to drain or bale out the excess water as soon as possible. If it is an inflatable ring pool, the water level should never be higher than the bottom edge of the inflatable ring.



8.0 Trouble shooting

PROBLEM	DESCRIPTION	CAUSE	REMEDY
COLORED WATER	<ul style="list-style-type: none"> Water turns blue, brown, or black when first treated with chlorine. 	<ul style="list-style-type: none"> The chlorine is oxidizing minerals in your water. This commonly occurs with water from different sources. 	<ul style="list-style-type: none"> Adjust pH to recommended level. Run filter until water is clear. Regularly clean cartridge.
PARTICALS SUSPENDED IN WATER	<ul style="list-style-type: none"> Water looks "milky" or cloudy. 	<ul style="list-style-type: none"> "Hard Water" caused by an elevated pH. Chlorination is inadequate. Foreign debris in water. Bathers are not cleaning their feet prior to entering pool. 	<ul style="list-style-type: none"> Adjust pH. Check with a swimming pool supply retailer for correct water treatment. Ensure proper chlorine level. Clean or replace your filter. Spray off dirt with a high-pressure hose before entry.
PERSISTENT LOW WATER LEVEL	<ul style="list-style-type: none"> Pool appears to be losing water on a daily basis. 	<ul style="list-style-type: none"> Tear or hole in pool liner. Tear or hole in a filter pump hose. Hose clamps are too loose. Evaporation from high summer temperatures. 	<ul style="list-style-type: none"> Locate damage and repair with the included patch kit. Repair or replace hoses. Tighten all hose clamps. Keep pool covered when not in use.
ALGAE	<ul style="list-style-type: none"> Water has greenish tint. Green, brown or black spots appear on pool liner. Pool bottom is slippery and/or an unpleasant odor is present. 	<ul style="list-style-type: none"> Algae is present. 	<ul style="list-style-type: none"> Apply "shock" treatment (super-chlorinator). Check pH and adjust to an appropriate level per your local pool supply retailer. Vacuum or lightly scrub pool liner. Test water often to maintain proper chlorine levels.
POOL WATER IS COOL	<ul style="list-style-type: none"> Water is not warming to a comfortable swimming temperature. 	<ul style="list-style-type: none"> Pool was set up in an excessively shady or tree lined area. Heat is escaping from pool water. 	<ul style="list-style-type: none"> Relocate pool to a more open location where it can get maximum exposure to sunlight during peak daylight hours. Keep your pool covered whenever it is not in use.

9.0 Limited warranty

We warrant all components contained in this Pool Set (excluding the filter pump unit) against defects in materials and workmanship under normal use and service, for a period of 90days from the date of purchase for the original owner only.

If any of the components have been consumer-replaced, damaged, or misused, the corresponding warranty on those components is invalidated. In this situation, you will be advised of the cost of replacement parts and processing instructions.

If a verifiable manufacturing defect is found during the relevant time period, we agree to replace at its option any product under warranty provided proper proof of purchase is presented.

This limited warranty is not valid if the product is used for commercial purposes, or if the damage is caused by an accident, consumer misuse, neglect or abuse, vandalism, improper use of chemicals, exposure to extreme weather conditions or negligence during product set up or disassembly.

We cannot be held responsible for the cost of installation, labor, or transportation expenses incurred due to the replacement of defective parts. This limited warranty, furthermore, does not cover any unauthorized alterations to the product.

2.0 Einführung

Glückwunsch zur Wahl des EXIT Toys Frame Pool!

Amüsier dich, sei aktiv und spiele im Freien!

Für diesen Spaß entwickeln wir innovative und hochwertige Spielzeuge für coole Kids.

Wir tun alles in unserer Macht stehende, um sichere Produkte für Kinder zu entwickeln. Da unsere Produkte als Spielzeuge klassifiziert werden, erfüllen wir die strengsten Sicherheitsvorschriften. Bevor unsere Produkte auf dem Markt kommen, veranlassen wir die Durchführung von unabhängigen Prüfungen zur Zertifizierung. Außerdem kontrollieren wir selbst ständig unsere Produktionsabläufe und lassen diese als weitere Kontrolle regelmäßig durch unabhängige Stellen überprüfen. Nur Produkte, die den höchsten EXIT Toys Standards gerecht werden, werden mit dem EXIT Toys label gekennzeichnet.

Wir danken Ihnen für Ihr Vertrauen in dieses Produkt. Und wir sind sicher, dass Ihre Kinder genau viel Spaß haben werden wie wir ihn während der Entwicklung hatten. Da wir aufgeschlossen sind, schätzen wir wirklich all Ihre Kommentare und Ideen, die uns bei der Verbesserung unserer Produkte bzw. bei der Entwicklung neuer Spielzeuge helfen. Sie sind herzlich eingeladen, uns Ihre Ideen unter info@exittoys.com zu senden.

Besuchen Sie www.exittoys.com und entdecken Sie weitere tolle neue Produkte.

Das EXIT Toys Team

3.0 Sicherheitsanweisungen



Achten Sie darauf, vor Installation und Benutzung des Pools alle Informationen in dieser Bedienungsanleitung sorgfältig zu lesen, zu verstehen und zu befolgen. Diese Warnungen, Anweisungen und Sicherheitsrichtlinien beziehen sich auf einige allgemeine Gefahren in Verbindung mit wasserbasierten Freizeitaktivitäten, sie können jedoch nicht sämtliche Gefahren und Risiken abdecken. Seien Sie immer entsprechend vorsichtig, vertrauen Sie auf Ihren natürlichen Menschenverstand.

Sicherheit von Nichtschwimmern

- 1) Anfänger und Nichtschwimmer sollten kontinuierlich, aktiv und wachsam von einem kompetenten Erwachsenen beaufsichtigt werden (denken Sie daran, dass bei Kindern unter fünf Jahren die größte Gefahr des Ertrinkens besteht);
- 2) Bestimmen Sie einen kompetenten Erwachsenen zur Überwachung des Pools bei jeder Benutzung;
- 3) Anfänger und Nichtschwimmer sollten bei Benutzung des Pools Schwimmhilfen tragen;
- 4) Wenn der Pool nicht benutzt oder nicht beaufsichtigt wird, entfernen Sie alle Spielzeuge aus und rund um den Pool, damit sich Kinder nicht zu nah am Pool aufhalten.

Sicherheitsvorrichtungen

- 1) Sie sollten eine Barriere installieren (und alle Türen und Fenstern sichern, sofern zutreffend), damit niemand unautorisiert in den Pool steigt;
- 2) Barrieren, Poolabdeckungen, Poolalarme oder ähnliche Sicherheitsvorrichtungen sind praktische Hilfen, ersetzen jedoch keine kontinuierliche und kompetente Beaufsichtigung durch einen Erwachsenen.

Sicherheitsausrüstung

- 1) Sie sollten Rettungsausrüstung (z. B. Rettungsring) in der Nähe des Pools aufbewahren;
- 2) Bewahren Sie ein funktionierendes Telefon und eine Liste mit Notrufnummern in der Nähe des Pools auf.

Sichere Benutzung des Pools

- 1) Ermutigen Sie alle Nutzer, insbesondere Kinder, schwimmen zu lernen;
- 2) Erlernen Sie grundlegende lebensrettende Sofortmaßnahmen (Herz-Lungen-Wiederbelebung) und frischen Sie dieses Wissen

regelmäßig auf. Dies kann bei einem Notfall Leben retten;

3) Weisen Sie alle Poolbenutzer, einschließlich Kindern, an, was bei einem Notfall zu tun ist;

4) Springen Sie niemals kopfüber in flaches Wasser. Andernfalls drohen ernsthafte oder sogar lebensgefährliche Verletzungen;

5) Verwenden Sie den Pool nicht, wenn Alkohol oder Medikamente Ihre Fähigkeit zur sicheren Benutzung des Pools beeinträchtigen; Achten Sie darauf, vor Installation und Benutzung des Pools alle Informationen in dieser Bedienungsanleitung sorgfältig zu lesen, zu verstehen und zu befolgen. Diese Warnungen, Anweisungen und Sicherheitsrichtlinien beziehen sich auf einige allgemeine Gefahren in Verbindung mit wasserbasierten Freizeitaktivitäten, sie können jedoch nicht sämtliche Gefahren und Risiken abdecken. Seien Sie immer entsprechend vorsichtig, vertrauen Sie auf Ihren natürlichen Menschenverstand. Bewahren Sie diese Hinweise auf, damit Sie später darin nachlesen können.

6) Wenn Poolabdeckungen genutzt werden, entfernen Sie sie vor dem Einsteigen in den Pool von der Wasseroberfläche;

7) Schützen Sie Poolbenutzer von wasserrelevanten Krankheiten, indem Sie das Poolwasser behandeln und auf gute Hygiene achten. Beachten Sie die Richtlinien zur Wasserbehandlung in der Bedienungsanleitung;

8) Halten Sie Chemikalien (bspw. Produkte zur Wasserbehandlung, Reinigung oder Desinfektion) von Kindern fern.

9) Nutzen Sie die Schilder wie unten gezeigt;

10) Abnehmbare Leitern sollten auf einer horizontalen Fläche angebracht werden.

11) Warnung: Ein abgelassener Pool im Freien kann unvorhersagbare Gefahren verursachen.

WARNUNG: Installation und Montage dürfen nur von Erwachsenen durchgeführt werden.

WARNUNG: Lesen und befolgen Sie zur Gewährleistung einer sicheren Verwendung des Poolsets die Anweisungen zur Nutzung und Wartung. Bei Nichtbeachtung der Anweisungen zur Nutzung und Wartung können ernsthafte gesundheitliche Risiken – insbesondere für Kinder – entstehen.

WARNUNG: Nur für den privaten Einsatz im Freien vorgesehen.

WARNUNG: Gefahr des Ertrinkens. Kinder könnten in mobile Pools ertrinken.

WARNUNG: Sie sollten durch Installation einer Barriere unautorisierten Zugang zum Pool verhindern.

WARNUNG: Kinder im Pool und dessen Umfeld sollten kontinuierlich beaufsichtigt werden.

WARNUNG: Nicht tauchen.

ERTRINKEN VERMEIDEN 	WARNUNG Überwachen Sie sorgfältig Kinder, die in oder in der Nähe dieses Pools sind. Kinder unter 5 Jahren sind am meisten gefährdet zu ertrinken.
--------------------------------	--

Abstand zu Abflussröhren und Sauganschlüssen einhalten 	WARNUNG Ihre Haare, Körper und Schmuckstücke können in den Abfluss gesaugt werden. Sie können unter Wasser gehalten werden und ertrinken.
--	---

TAUCHEN VERBOTEN! 	WARNUNG Sie können sich den Hals brechen und gelähmt werden.
------------------------------	--

4.0 Aufstellungsort

WARNUNG: Pools, die auf unebenen Oberflächen aufgestellt werden, neigen zu Undichtigkeiten, Verformungen oder Zusammensturz, gefolgt von Sachbeschädigung oder schwerer Körpverletzung derjenigen, die sich im oder um den Pool herum aufhalten!

WARNUNG: Verwenden Sie für die Aufstellung keinen Sand. Sollte die Verwendung eines „Mittels zur Einebnung“ erforderlich werden, dann ist Ihr Aufstellungsort sehr wahrscheinlich ungeeignet. NICHTBEACHTUNG DIESER WARNUNG KANN SCHWERE KÖRPERVERLETZUNGEN ZUR FOLGE HABEN.

ACHTUNG: Wählen Sie Ihren Aufstellungsort sorgfältig aus, denn Rasen und anderer wünschenswerter Pflanzenwuchs wird unterhalb der Bodenplane (sofern vorhanden) absterben. Achten Sie zudem auch darauf, die Bodenplane (sofern vorhanden) nicht auf Bereiche zu legen, in denen häufig kraftvolle Pflanzen- und Unkrautarten sprießen, denn sie könnten sich durch die Bodenplane (sofern vorhanden) bohren.

ACHTUNG: Der Pool muss für einen 110- oder 230-Volt-Netzstromanschluss erreichbar sein, der mit einem Fehlerstromschutzschalters (FI-Schalter) geschützt ist. Der Pool muss in einem Mindestabstand von 3 Metern (10 Fuß) zur Stromquelle aufgestellt werden, aber nicht weiter als die Länge der Filterpumpenleitung. Unter keinen Umständen darf eine Verlängerungsschnur verwendet werden, um den Anschlussbereich zu verlängern.

Das wichtigste ist die Wahl eines geeigneten Aufstellungsortes für Ihren Pool, BEVOR Sie es mit Wasser befüllen. Wählen Sie einen Aufstellungsort, der den folgenden Richtlinien sehr genau entspricht:

Anleitung 1. Überzeugen Sie sich davon, dass der gewählte Ort fest, flach (keine Höcker oder Erdhügel) und extrem eben ist, wobei eine Neigung von mehr als 3 ° an keiner Stelle am Aufstellungsort überschritten werden darf.

Anleitung 2. Vergewissern Sie sich, dass der gewählte Aufstellungsort für den Pool komplett frei von Ästen, Steinen, scharfkantigen Gegenständen oder anderen Fremdoobjekten ist.

Anleitung 3. Wählen Sie einen Ort, der nicht direkt unterhalb von Stromleitungen oder Bäumen liegt. Achten Sie zudem darauf, dass sich im Untergrund des Aufstellungsortes für den Pool keinerlei Rohrleitungen, Zuleitungen oder Kabel befinden.

Anleitung 4. Eine Bodenplane hat den Zweck, die Poolverkleidung vor Beschädigungen aufgrund von Unkrautwuchs, scharfkantigen Gegenständen und Kleinteilen zu schützen.

Anleitung 5. Sofern möglich, wählen Sie eine offene Stelle auf Ihrem Grundstück, die direkt von der Sonne bestrahlt wird. Dadurch wird Ihr Pool aufgewärmt.

Flacher, ebener Boden-**RICHTIG**

Hügeliger, schräger Boden-**FALSCH**



5.0 Aufstellen des Pools

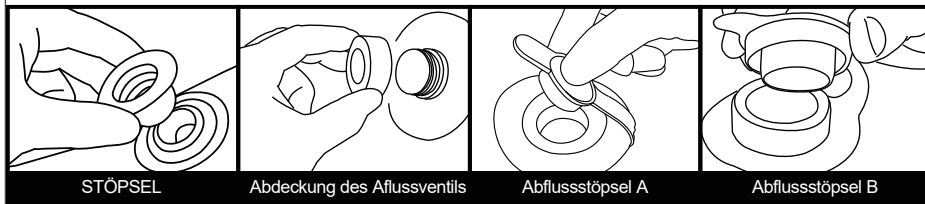
WICHTIG: Beginnen Sie nicht mit der Montage, wenn Teile fehlen sollten. Rufen Sie den Kundendienst Ihrer Region an, wenn Sie Ersatzteile benötigen. Die für die Installation benötigte Anzahl an Personen: Mindestens 2 Erwachsene. Die Installationszeit, abgesehen von der Zeit zur Vorbereitung des Aufstellungsortes und zum Befüllen mit Wasser: 30 ~ 45 Minuten

Schritt 1. Überprüfen Sie das Vorhandensein aller Teile..

Nehmen Sie alle Teile aus ihren Kartons und legen Sie sie dort auf den Boden, wo sie zusammengebaut werden. Prüfen Sie jedes Teil entsprechend der Liste im Abschnitt „DIE EINZELTEILE“ 1.0. Achten Sie darauf, dass alle vorhandenen Teile auch montiert werden.

Schritt 2. Installieren Sie die Abdeckung der Abflussventile und die Stöpsel

Vergewissern Sie sich, dass der Abflussstöpsel in die Abflusskappe hineingesteckt und die Abdeckung des Abflussventils fest angeschraubt ist. Verschließen Sie die Verbindungslöcher mit den Stöpseln. (Der Abflussstöpsel fällt je nach Poolgröße anders aus.)



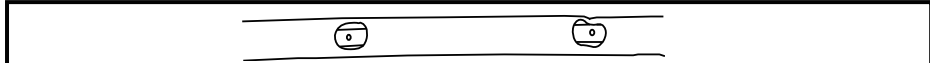
STÖPSEL

Abdeckung des Abflussventils

Abflussstöpsel A

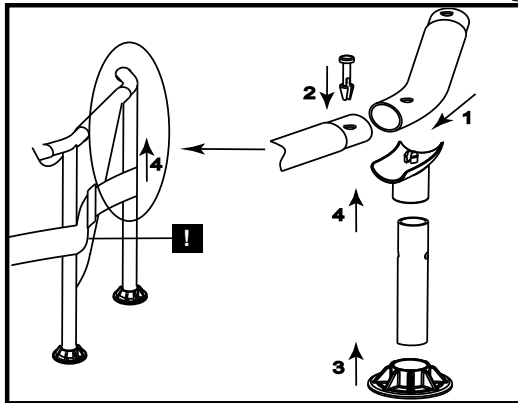
Abflussstöpsel B

Schritt 3. Installieren Sie den Horizontalholm



Schieben Sie Holmenkombination in die Manschette hinein, wobei das Loch in den Holmen nach außen weisen muss.

Schritt 4. Installieren Sie den T-Verbindung



4.1. Verwenden Sie das Verbindungsende des T-Joint, um die benachbarten horizontalen Röhre zu verbinden.

4.2. Stecken Sie den Pin in das Loch der verbundenen Röhren

4.3. Installieren Sie die vertikale Beinkappe auf dem vertikalen Bein.

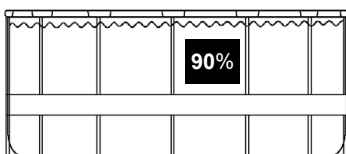
4.4. Führen Sie das vertikale Bein durch den Gürtel in die T-Verbindung ein.

Schritt 5. Befüllen des Pools

WARNUNG: Lassen Sie den Pool nicht unbeaufsichtigt stehen, während Sie ihn mit Wasser befüllen.

WARNUNG: Wenn sich an einer Seite mehr als 2,5 ~ 5 cm Wasser ansammelt, bevor die Mitte aufgefüllt ist, steht der Pool nicht eben und muss richtig aufgestellt werden! Ziehen Sie den Abflussstöpsel heraus, lassen Sie das gesamte Wasser ab, demontieren Sie den gesamten Pool und stellen Sie den Pool durch erneute Errichtung anweisungsgemäß ganz eben auf.

WARNUNG: Füllen Sie NICHT ZUVIEL Wasser in den Pool, denn der Pool könnte zusammenbrechen. Bei schweren Regenfällen sollten Sie etwas Wasser abschöpfen, um sicherzustellen, dass der Pegel richtig ist.



1. Vergewissern Sie sich, dass das Abflusszubehör fest hineingesteckt und die Kappe angebracht ist. Beginnen Sie damit, den Pool mit Wasser zu befüllen. Befindet sich ca. 2,5 cm tiefes Wasser im Pool, stoppen Sie die Befüllung und glätten Sie den Poolboden. Ziehen Sie die Außenwand vom oberen Rand rings um den Poolboden nach außen, damit er gleichmäßig befüllt wird.

2. Fahren Sie mit der Poolbefüllung fort, bis Wasserstand

6.0 Überwinterung und Langzeitlagerung

WARNUNG: Do not let your children stand at downfold and face the water outlet during the drainage. The water current may sweep your children.

WARNUNG: Pool should be stored at places where it is cool and dry, with no sharp object surrounded, or no heavy objects lying above, which may cause damage to the pool.

Schritt 1. Wenn Sie eine Filterpumpe haben, achten Sie darauf, dass die Filterpumpe nicht an eine Stromquelle angeschlossen ist.

Schritt 2. Vergewissern Sie sich, dass der Abflusstöpsel innen im Pool fest hineingesteckt ist.

Schritt 3. Verbinden Sie Ihren Gartenschlauch mit dem Schlauchadapter und legen Sie das andere Schlauchende dort hin, wo das Wasser gefahrlos abfließen kann, z.B. Gully oder Straßenabfluss. Denken Sie daran, dass das Wasser immer seine eigene Nivellierung findet, so dass das Schlauchende niedriger sein muss als der Pool, um einen kompletten Abfluss sicherzustellen.

Schritt 4. Wenn Sie eine Filterpumpe haben, stecken Sie den Stöpsel in die Zufluss- und Abflusshalterungen innen im Pool und trennen Sie dann die Schläuche der Filterpumpe ab.

Schritt 5. Verbinden Sie den Schlauchadapter mit dem Abfluss, indem Sie den Adapter im Uhrzeigersinn aufschrauben.

Schritt 6. Öffnen Sie den Abflusstöpsel innen im Pool, woraufhin das Wasser sofort abfließt.

Schritt 7. Trennen Sie den Schlauch und den Abflussadapter, wenn Sie fertig sind.

Schritt 8. Bringen Sie wieder den Abflusstöpsel innen im Pool an.

Schritt 9. Vergewissern Sie sich, dass die Poolverkleidung komplett trocken ist, bevor Sie den Pool für eine längerfristige Lagerung zusammenfalten. Wenn Sie den Pool ein paar Stunden dem Sonnenlicht aussetzen, beschleunigt sich der Trocknungsvorgang und es fällt leichter, den Pool für die Lagerung zusammenzufalten. (Versuchen Sie nie, einen Pool zu falten oder zu verstauen, der nicht komplett trocken ist, da dies zur Verbreitung von Schimmelpilz oder zur Schimmelbildung während der Lagerzeit des Pools führen könnte.)

Schritt 10. Vergessen Sie nicht, dass eine angemessene Lagerung außerhalb der Saison ein wichtiger Aspekt zum Schutz Ihrer Investition in Ihrem Pool ist. (Besonders im Winter.) Sobald das gesamte Wasser aus dem Pool abgeflossen und er trocken ist, sollten Sie ihn sorgfältig zusammenfalten und in eine wasserabweisende Bodenplane (falls verfügbar) oder eine Schutzplane aus ähnlichem Material inwickeln. Der Pool mitsamt dem gesamten Zubehör wie Pumpe, Abdeckung, Bodenplane, Leiter, Schläuche, Klemmen und Kleinteile sollte zusammen und in einem angemessen warmen, trockenen und wettergeschützten Raum in einem Haus aufbewahrt werden.

6.1 Faltanleitung

Vor dem Zusammenfalten ist es ratsam, alle Teile und den Pool zum Trocknen ca. eine Stunde lang in die Sonne zu legen. (Pic. 1). Bepudern Sie den Pool dann mit etwas Talkum, damit das Vinyl nicht zusammenklebt.

Schritt 1. Falten Sie die vorstehenden Seite bitte nach innen, um eine rechteckige Form zu erhalten. (Pic. 2).

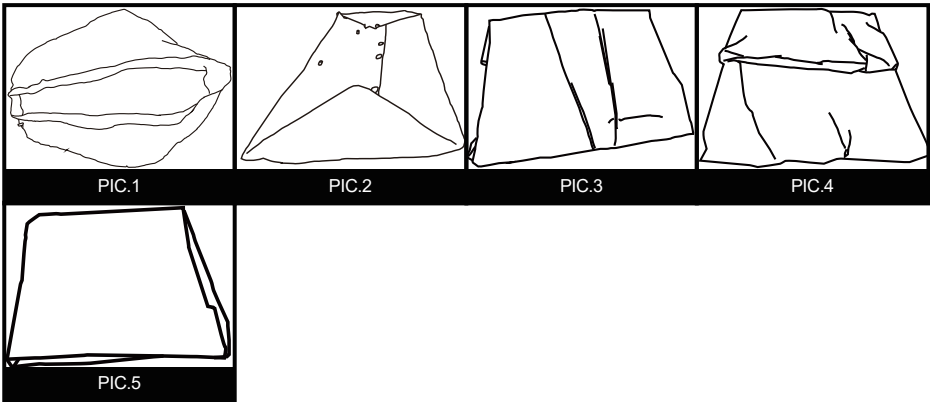
Schritt 2. Falten Sie jede Hälfte des Rechtecks, um ein kleineres Rechteck zu erhalten. (Pic. 3).

Schritt 3. Falten Sie alle Enden nach hinten. (Pic. 4).

Schritt 4. Falten Sie die restlichen Enden zusammen, um ein einziges Rechteck zu erhalten. (Pic. 5).

TIPP 1. Entfernen Sie bitte die Luft im Innern, damit der zusammengefaltete Pool bei jedem Falten dünn und flach wird.

TIPP 2. Die Originalverpackung kann für die Lagerung verwendet werden.



7.0 Pflege des Pools während der Saison

WARNUNG: Die zu Ihrem Pool gehörige Filterpumpe, sofern vorhanden, hat den Zweck, Schmutz und andere kleine Teilchen aus dem Badewasser zu entfernen. Um jedoch ein Badewasser zu bekommen, das stets sauber, frei von Algen und schädlichen Bakterien ist, ist es SEHR WICHTIG, EINEN KONSEQUENTEN PLAN FÜR DIE CHEMISCHE WASSERAUFBEREITUNG UMZUSETZEN. Erkundigen Sie sich bei Ihrem lokalen Händler für Poolartikel nach einem sicheren und wirksamen Einsatz von Chlor, Schockbehandlungen, algentötenden Mitteln und anderen derartigen Chemikalien.

WARNUNG: Um Haut- und Augenirritationen oder sogar Verletzungen bei den Badenden zu vermeiden, dürfen Sie niemals Chemikalien in den Pool geben, wenn sich gerade Personen darin befinden. Geben Sie niemals Chemikalien oder Substanzen in Ihren Pool, wenn Sie nicht nachvollziehen können, welche genaue Mengen oder welcher Typ dem Wasser hinzugefügt werden muss. Informieren Sie bei einem Händler für Pools nach Anweisungen und Richtlinien für die Verwendung diesbezüglicher Chemikalien in Ihrem Pool.

WARNUNG: Es wird Pool-Besitzern dringendst empfohlen, das Wasser im Pool oft zu testen, um sicherzustellen, dass der pH-Wert und die Chlorkonzentration im

Wasser optimal ist für ein sicheren und angenehmes Baden über die gesamte Saison hinweg. Ihr Händler für Poolbedarf berät Sie gerne, um ein geeignetes Testset und Anweisungen für seinen Gebrauch zu finden.

WARNUNG: Eine Nichtbeachtung dieser Wartungsregeln kann die Gesundheit der Badenden, insbesondere der von Kindern, stark gefährden.

Dieses Produkt ist ein lagerfähiger, saisonal nutzbarer Pool. Leben Sie in einer Klimazone, in der der Pool nicht ganzjährig genutzt wird, wird **DRINGENDST EMPFOHLEN**, das Wasser aus dem Pool abzulassen, ihn gründlich zu reinigen und zu trocknen und ihn außerhalb der Saison an einem geschützten Ort aufzubewahren. Auf diese Weise verlängert sich die Lebenszeit Ihres Pools und es wird ein Sicherheitsrisiko eingedämmt, während der Pool nicht genutzt wird. In der Zeit, in der der Pool genutzt wird, muss das Filtersystem (sofern vorhanden) jeden Tag so lange in Betrieb gesetzt werden, dass die gesamte Wassermenge mindestens einmal ganz erneuert wird.

Damit das Wasser in Ihrem Pool die gesamte Saison über sauber und hygienisch bleibt, müssen Sie sich streng an die folgenden Richtlinien halten:

1. Ein richtiger und durchgehender Gebrauch grundlegender Chemikalien für Pools ist erforderlich, um einen angemessenen pH-Wert im Poolwasser aufrecht zu erhalten. Zudem verhindert die Anwendung von Chemikalien das Wachstum schädlicher Bakterien oder Algen in Ihrem Pool und unterstützt die Filterpumpe bei der Reinhaltung Ihres kristallklaren Wassers. Chemikalien, die in Ihrem Pool eingesetzt werden sollten, sind unter anderem:

1) Chlor in Form von Tabletten, Granulat oder Flüssigkeit: Desinfiziert das Poolwasser und verhindert Algenwuchs.

2) Chemikalien, die den pH-Wert regulieren: Diese dienen zur Korrektur den pH-Wertes und machen das Wasser mehr oder weniger sauer.

3) Algenvernichtungsmittel: Diese Chemikalien werden zur Vernichtung von Algen eingesetzt.

4) „Schock“ (Super-Chlorierung): Eliminiert bestimmte organische und anderweitige kombinierte Verbindungen, welche die Klarheit des Wassers beeinträchtigen. Informieren Sie bei einem lokalen Händler für Poolbedarf nach bestimmten Details für den Einsatz von Chemikalien, teilen Sie ihm mit, wieviel Wasser Ihr Pool aufnimmt, und, falls gewünscht, geben Sie ihm eine Probe Ihrem Poolwasser. Er wird dann in der Lage sein, Sie bezüglich folgender Punkte richtig zu beraten: 1) welche Chemikalien gekauft werden sollten, 2) welche Mengen an Chemikalien gekauft werden sollten und 3) wie die einzelnen Chemikalien gefahrlos und effektiv verwendet werden.

2. Achten Sie darauf, dass Chlor niemals direkt mit der Poolverkleidung in Kontakt kommt, sondern erst in einem komplett aufgelösten Zustand. Dies bedeutet, dass Sie Chlor in Granulat- oder Tablettenform erst in einem Eimer mit Wasser auflösen müssen, bevor Sie es in das Poolwasser geben; und flüssiges Chlor muss langsam und gleichmäßig von verschiedenen Stellen um den Pool herum hineingegossen werden. **GEFAHR:** Gießen Sie **NIEMALS** Wasser auf Chemikalien. **SONDERN** fügen Sie Chemikalien dem Wasser hinzu. Vermischen Sie auch niemals getrennte Chemikalien, sondern geben Sie diese getrennt in den Pool, wobei die jeweilige Chemikalie sich

erst im gesamten Pool verteilt haben muss, bevor Sie eine andere Chemikalie hinzufügen.

3. Wir empfehlen den Erwerb eines Testsets für eine häufige Kontrolle des Poolwassers, um sicherzustellen, dass der pH-Wert und die Chlorkonzentration optimal sind. Ihr lokaler Händler für Poolbedarf informiert Sie gerne über den Kauf und den Gebrauch eines Testsets, das für Ihren Bedarf am geeignetsten ist. HINWEIS: Eine übermäßige Chlorkonzentration und auch niedrige (saure) pH-Werte können die Poolverkleidung beschädigen und erfordern sofortige Maßnahmen zur Behebung, wenn das Testergebnis eines von beiden anzeigt. Das Entfernen von größeren Schmutzteilen aus Ihrem Pool und das Reinigen der Poolverkleidung sind Aufgaben, die ein Pflegeset für Pools, bestehend aus einem Blattabschöpfer und eine mit dem Gartenschlauch betriebene Saugvorrichtung, vereinfacht. Pflegesets enthalten Sie als Bonus beim Erwerb von größeren Poolsystemen, Sie können sie auch separat als Zubehör erwerben. Wenden Sie sich bitte an Ihr Kundendienstcenter vor Ort, wenn Sie Ratschläge für Reparaturarbeiten während der Lebenszeit des Poolsets benötigen.

4. Prüfen Sie die Filterpumpenpatrone alle zwei Wochen (oder häufiger, wenn der Pool häufig benutzt wird), um sich vergewissern, ob sie gereinigt oder ersetzt werden muss. Sieht die Patrone nicht mehr weiß aus, versuchen Sie, die Patrone mit einem starken Wasserstrahl aus Ihrem Gartenschlauch zu reinigen. Lässt sich die Patrone auf diese Weise nicht mehr reinigen, muss sie ersetzt werden. Wenn Sie Ihre Patronen nicht häufig reinigen und/oder ersetzen, beeinträchtigt dies die Wirksamkeit Ihrer Filterpumpe und kann auch ihre Nutzungsdauer verkürzen.

5. Gehört zu Ihrem Poolsystem auch eine Abdeckung, decken Sie den Pool immer ab, wenn er unbenutzt ist. Auf diese Weise können Wind und andere Elemente keinen Schmutz und keine Kleinteile in Ihren Pool hineintragen und überschüssiges Regenwasser kann Ihren Pool auch nicht zum Überlaufen bringen.

6. Erinnern Sie Ihre Familienangehörigen und Freunde daran, dass sie sich vor Betreten des Pools immer erst den Schmutz oder Hautöle von ihren Händen, Füßen und dem Körper mit einem Schlauch abspritzen oder unter fließendem Wasser abspülen.

7. Die Bolzen und Kleinteile des Pools müssen bei Bedarf untersucht werden (z. B. auf Rostflecke).

8. Sobald Ihr Pool für die Saison mit Wasser aufgefüllt ist, achten Sie darauf, ob er sich aufgrund von Regen oder per Zufall übermäßig auffüllt. In diesem Fall ist es wichtig, das überschüssige Wasser sobald wie möglich abzulassen oder herauszuschöpfen. Wenn es sich um einen aufblasbaren Ringpool handelt, sollte der Wasserpegel niemals höher sein als der Unterrand des aufblasbaren Rings.

8.0 Fehlerbehebung

PROBLEM	BESCHREIBUNG	URSACHE	BEHEBUNG
GEFÄRBTES WASSER	<ul style="list-style-type: none"> Wasser verfärbt sich bei erstmaliger Chlorierung blau, braun oder schwarz. 	<ul style="list-style-type: none"> Das Chlor oxidiert mit den Mineralien in Ihrem Wasser. Dies tritt häufig bei Wasser aus unterschiedlichen Quellen auf. 	<ul style="list-style-type: none"> Passen Sie den pH-Pegel dem empfohlenen Wert an. Lassen Sie den Filter laufen, bis das Wasser klar ist. Patrone regelmäßig reinigen.
PARTIKEL SCHWEBEN IM WASSER	<ul style="list-style-type: none"> Wasser sieht „milchig“ oder trübe aus. 	<ul style="list-style-type: none"> „Hartes Wasser“ aufgrund eines erhöhten pH-Wertes. Unzureichende Chlorierung. Fremdkörper im Wasser. Die Badenden haben vor Betreten des Pools nicht ihre Füße gereinigt. 	<ul style="list-style-type: none"> Passen Sie den pH-Wert an. Erkundigen Sie sich bei einem Händler für Poolbedarf nach der richtigen Wasseraufbereitung. Achten Sie auf einen richtigen Chlorwert. Reinigen oder ersetzen Sie Ihren Filter. Spritzen Sie Schmutz vor dem Betreten mit einem Hochdruckschlauch ab.
DURCHGÄNGIG NIEDRIGER WASSERSTAND	<ul style="list-style-type: none"> Der Pool scheint täglich Wasser zu verlieren. 	<ul style="list-style-type: none"> Riss oder Loch in der Poolverkleidung. Riss oder Loch in einem Filterpumpenschlauch Schlauchklemmen sind zu locker. Verdunstung aufgrund hoher, sommerlicher Temperaturen. 	<ul style="list-style-type: none"> Finden Sie die beschädigte Stelle und reparieren Sie sie mit dem beigefügten Flicker. Reparieren oder ersetzen Sie die Schläuche. Ziehen Sie alle Schlauchklemmen fest an. Decken Sie den Pool ab, wenn er unbenutzt ist.
ALGEN	<ul style="list-style-type: none"> Wasser hat eine grünliche Färbung. Grüne, braune oder schwarze Flecken erscheinen an der Poolverkleidung. Boden des Pools ist rutschig und/oder ein unangenehmer Geruch ist vorhanden. 	<ul style="list-style-type: none"> Algenbildung. 	<ul style="list-style-type: none"> Führen Sie eine „Schockbehandlung“ durch (Super-Chlorinierung). Prüfen Sie den pH-Wert und passen Sie ihn so an, wie es Ihnen ein lokaler Händler für Poolbedarf mitgeteilt hat. Saugen Sie die Poolverkleidung ab oder schrubben Sie sie leicht sauber. Prüfen Sie das Wasser oft, um angemessene Chlorwerte beizubehalten.
POOLWASSER IST KÜHL	<ul style="list-style-type: none"> Wasser erwärmt sich nicht auf eine angenehme Badetemperatur. 	<ul style="list-style-type: none"> Der Pool wurde an einer sehr schattigen Stelle oder in einem von Bäumen umgebenen Bereich aufgestellt. Hitze entweicht aus dem Poolwasser. 	<ul style="list-style-type: none"> Stellen Sie den Pool an einer offeneren Stelle neu auf, wo er während der Haupttageszeit eine maximale Sonnenbestrahlung erhält. Decken Sie Ihren Pool stets ab, wenn

9.0 Limited warranty

Wir sichern einzig dem Originaligentümer eine Garantie gegen Material- und Ausführungsfehlern für einen Zeitraum von 90 Tagen ab dem Kaufdatum bei normaler Verwendung und Wartung auf sämtliche Komponenten zu, die in diesem Set Pool enthalten sind (mit Ausnahme der Filterpumpe).

Falls Einzelteile vom Besitzer ausgetauscht, beschädigt oder zweckentfremdet wurden, erlischt die entsprechende Garantie für diese Einzelteile. In diesem Fall werden Ihnen die Kosten für die Ersatzteile und die weiteren Vorgehensweisen mitgeteilt.

Bei nachweislichen Herstellungsmängeln reparieren wir sämtliche Produkte innerhalb der Garantiezeit oder tauschen sie (nach unserem Ermessen) aus, sofern ein dazugehöriger Kaufbeleg vorgelegt wird.

Diese eingeschränkte Garantie gilt nicht, wenn das Produkt kommerziell eingesetzt wurde oder die Schäden aufgrund von Unfällen, höherer Gewalt, Missbrauch, Fahrlässigkeit, Vandalismus, falschem Einsatz von Chemikalien, extremer Witterung oder Fahrlässigkeit bei der Montage oder Demontage eintraten.

Wir haften nicht für Installationskosten, Arbeitsaufwand oder Transportkosten, die beim Austausch von defekten Teilen entstehen. Zudem gilt diese eingeschränkte Garantie nicht für unautorisierte Modifikationen am Produkt.

2.0 Introductie

Gefeliciteerd met de aanschaf van uw Frame Zwembad van EXIT Toys!

Pret maken, actief leven en buiten spelen.....

Dat is onze motivatie om innovatief en kwalitatief speelgoed te ontwikkelen voor coole kinderen.

We doen er alles aan om producten te ontwikkelen die veilig zijn voor kinderen. Aangezien onze producten worden geclassificeerd als speelgoed, voldoen we aan de strengste normen op het vlak van consumentveiligheid. Voordat we een product op de markt brengen, laten we onafhankelijke tests uitvoeren voor de vereiste certificaten. We voeren ook voortdurend controles uit tijdens de productie en we laten regelmatig nieuwe onafhankelijke tests uitvoeren als extra controle. Enkel de producten die voldoen aan de strengste normen van EXIT Toys krijgen het EXIT Toys merk.

Wij stellen het zeer op prijs dat u bij ons klant bent en danken u voor het vertrouwen in dit product. We zijn er zeker van dat uw kinderen evenveel van dit product zullen genieten als wij tijdens de ontwikkeling ervan. Omdat we open staan voor uw mening, zijn uw opmerkingen en ideeën steeds welkom zodat we onze producten nog kunnen verbeteren en nieuwe kunnen ontwikkelen. Neem daarom gerust contact op via info@exittoys.com.

Bezoek de wereld van EXIT Toys op www.exittoys.com en ontdek ook onze andere stoere en nieuwe buitenspeel producten.

Het team van EXIT Toys

3.0 Belangrijke veiligheidsvoorschriften



Waarschuwing: Om meer plezier te beleven aan uw zwembad en de veiligheid van de mensen in en rond het zwembad te garanderen, is het belangrijk dat u de volgende veiligheids- en **onderhoudsinstructies STRIKT NALEEFT.**

- 1). VOOR het instellen of gebruik van het zwembad, is de eigenaar van het zwembad ervoor verantwoordelijk alle lokale en nationale wetten die betrekking hebben op de veiligheid van het bovengrondse zwembad. Deze omvatten, maar zijn niet beperkt tot wetten op: vloeren, hekkens, afsluitingen, afdekkingen, zwembadladders, verlichting en verplichte veiligheidsuitrusting. Raadpleeg hierover de plaatselijke autoriteiten.
- 2). Laat kinderen niet zonder toezicht in het zwembad. Zorg altijd dat minstens één verantwoordelijke volwassenen TEN ALLEN TIJDE op alle kinderen let en op degenen die niet weten te zwemmen. Ga nooit alleen zwemmen/baden in het zwembad.
- 3). NOOIT toestaan dat er in het zwembad wordt gedoken of gesprongen. Ga nooit in het zwembad vanaf een vloer of andere verhoogde oppervlakken. Het waterniveau in uw zwembad is extreem ondiep en is niet geschikt voor deze activiteiten. Het niet naleven van deze instructies kan resulteren in ernstige letsels of zelfs overlijden.
- 4). Laat kinderen of volwassen niet toe om te vechten of andere agressieve sporten of activiteiten in of rond het zwembad uit te oefenen. Het niet naleven van deze richtlijn kan leiden tot ernstige letsels voor mensen die zich in en rond het zwembadgebied bevinden.
- 5). Zorg altijd dat de juiste veiligheidsapparatuur voor het zwembad gemakkelijk bereikbaar is in de buurt van uw zwembad. Zorg dat de telefoonnummers voor noodinstanties, alsmede als veiligheidsregels en waarschuwingen (zoals "Niet springen of duiken" en "Niet alleen zwemmen"). Laat geen baders toe in het zwembad tenzij het gebied voldoende helder of verlicht is.
- 6). Alle filters zijn in overeenstemming met de installatiestandaard NF C 15-100 die bepaalt dat alle elektronische apparaten binnen 3,50 m van het zwembad en vrij toegankelijk zijn een lage spanning van 12V moeten hebben. Alle elektrische apparatuur met 220V stroom moet minstens 3,5 meter van de rand van het zwembad staan. Raadpleeg de fabrikant voor enige wijzigingen van een of meerdere elementen op het filtersysteem (voor Frankrijk).
- 7). De veiligheid van de kinderen hangt volledig af van u! Kleine kinderen jonger dan 5 jaar worden blootgesteld aan maximaal gevaar. Het zijn niet altijd de anderen die een ongeval krijgen! Denk daar altijd aan!
- 8). Toezicht en actie:
 - Wijs een persoon aan die verantwoordelijk is voor de veiligheid.

- Er is meer toezicht vereist wanneer er verschillende personen in het zwembad aanwezig zijn.
- Leer uw kinderen zo snel mogelijk zwemmen.
- Maak de hals, armen en benen van het kind nat voordat het in het water gaat.
- Leer EHBO, vooral specifiek gericht op kinderen.
- Verbied jonge kinderen om in het zwembad te duiken of te springen;
- Verbied loopspelletjes en gewelddadige spellen rond het zwembad;
- Laat geen kinderen die niet kunnen zwemmen, zonder begeleiding in het zwembad;
- Laat geen speelgoed achter in de buurt van een onbewaakt zwembad.
- Houd het water schoon en gezond.
- Bewaar waterbehandelingsproducten buiten het bereik van kinderen.

9). Let altijd op het volgende:

- Houd altijd een telefoon binnen handbereik bij het zwembad zodat u kinderen niet alleen hoeft te laten terwijl u aan de telefoon bent.
- Zorg voor een boei en staaf bij het zwembad.

10). Er zijn nog meer uitrustingen die kunnen bijdragen tot de veiligheid.

- Beschermhek waarvan poort altijd gesloten is (zo kan een tuinhag bijvoorbeeld niet worden beschouwd als een hek).
- Een handmatige of automatische beschermingsafdekking die is geïnstalleerd en vastgezet.
- Een elektronische doorgangs- of valdetector, werkend of operationeel. Geen van deze oplossingen kan echter een nauwgezette supervisie vervangen.

11). Ongeval:

- Trek het kind zo snel mogelijk uit het water.
- Vraag om hulp en ga te werk volgens de opgelegde methode.
- Verwijder de natte kledij en dek het kind af met een warme deken.

12). Onthoud en bewaar noodnummers bij het zwembad:

- Brandweer: (112 voor Europa);
- Medische spoeddienst: (112 voor Europa);

13). Verbied toegang tot het zwembad als de filters van het systeem verslechteren;

14). Niet duiken;

15). Niet op de rand stappen;

16). Waarschuwing: Plaats het lege zwembad nooit in openlucht.

VERDRINKING VOORKOMEN

WAARSCHUWING

Houd nauwgezet toezicht op kinderen die zich *in of dichtbij* dit zwembad bevinden. Kinderen jonger dan 5 lopen het meeste risico op verdrinking.

Blijf uit de buurt van afvoerbuizen en aanzuigaansluitingen


WAARSCHUWING

Uw haar, lichaam en juwelen kunnen in de afvoer worden gezogen. U kunt onder water worden gehouden en verdrinken.

VERBODEN TE DUIKEN!

WAARSCHUWING

U kunt uw nek breken en verlamd raken.

4.0 Locatieselectie

WAARSCHUWING: Zwembaden die op onvoldoende egale oppervlakken worden geïnstalleerd, worden aan lekkages, onregelmatige vervormingen of omvallen onderworpen. Dit kan schade aan eigendommen of ernstig letsel aan personen in en rondom het gebied van het zwembad resulteren!

WAARSCHUWING: Gebruik geen zand tijdens de installatieprocedure. Als u merkt dat u een "nivelleringsmiddel" nodig hebt, is uw installatielocatie mogelijk niet geschikt. **HET NIET NALEVEN VAN DEZE WAARSCHUWING KAN LEIDEN TOT ERNSTIGE LICHAAMELIJKE LETSELS.**

VOORZICHTIG: Kies uw installatiegebied nauwkeurig omdat gras en andere plantengroei onder het grondzeil (indien van toepassing) zal sterven. Probeer daarnaast ook om het grondzeil (indien van toepassing) te plaatsen in een gebied dat vatbaar is voor agressieve plant- en onkruidsoorten, omdat ze door het grondzeil (indien van toepassing) kunnen groeien.

VOORZICHTIG: Het zwembad moet toegang hebben tot een AC-stopcontact van 110 of 230 volt dat door een verliesstroomautomaat wordt beschermd. Het zwembad mag niet dichterbij dan 3 meter van de voedingsbron zijn, maar niet verder dan de lengte van de kabel van de filterpomp. Er mag onder geen enkele omstandigheid een verlengsnoer worden gebruikt om het bereik van de verbinding te verlengen.

Het is absoluut belangrijk dat u voor uw zwembad een geschikte locatie selecteert VOORDAT u probeert het met water te vullen. Selecteer een instellingslocatie die strikt voldoet aan de volgende richtlijnen:

Richtlijn 1. Controleer of het gebied stevig, plat (geen hopen of kuilen van aarde) en extreem waterpas is, met een maximale hellingsgraad van 3° op elk punt in het installatiegebied.

Richtlijn 2. Zorg dat het oppervlak die u hebt geselecteerd om het zwembad op te zetten, volledig vrij is van stenen, stokken, scherpe voorwerpen of ander vreemd afval.

Richtlijn 3. Selecteer een gebied dat niet direct onder bovenstroomleidingen of

bomen is. Zorg daarnaast dat het instellingsgebied van het zwembad geen ondergrondse pijpleidingen, leidingen of kabels van enige soort bevat.

Richtlijn 4. Als bij uw zwembadpakket een gronddoek is geleverd, is het gebruik ervan sterk aanbevolen. Het grondzeil helpt de zwembadbekleding te beschermen tegen schade door de groei van onkruid, scherpe objecten en afval.

Richtlijn 5. Kies, wanneer mogelijk, een open locatie op uw terrein dat aan direct zonlicht wordt blootgesteld. Dit helpt uw zwembad te verwarmen.

Platte, effen bodem - **JUIST**

Hobbelige, hellende bodem - **FOUT**



5.0 Het zwembad opzetten

BELANGRIJK: Start de montage niet als er stukken ontbreken. Bel het nummer van de klantendienst in uw regio voor vervangstukken.

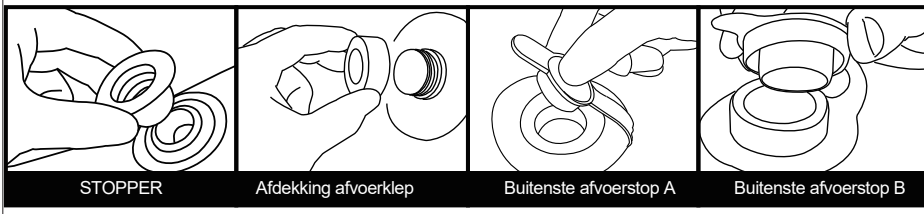
Het aantal personen dat is vereist voor de installatie: minstens twee volwassenen. Totale installatieduur zonder de tijd voor de voorbereiding van de locatie en het bijvullen van water: 30 ~45 minuten.

Stap1. Controle van alle onderdelen

Verwijder alle onderdelen uit de kartonnen verpakking en plaats ze op de grond op de locatie waar ze moeten worden gemonteerd. Controleer elk onderdeel volgens "REFERENTIES ONDERDELEN" 1.0 Controleer of alle onderdelen die moeten worden gemonteerd, aanwezig zijn.

Stap2. Installeer de stopper en afvoerkleppen.

Controleer of de buitenste afvoerstop in de buitenste afvoerkap zit en of de afdekking van de afvoerklep stevig is vastgeschroefd. Sluit de aansluitopeningen aan op de stoppers. (De buitenste afvoerstop verandert afhankelijk van de grootte van het zwembad.)



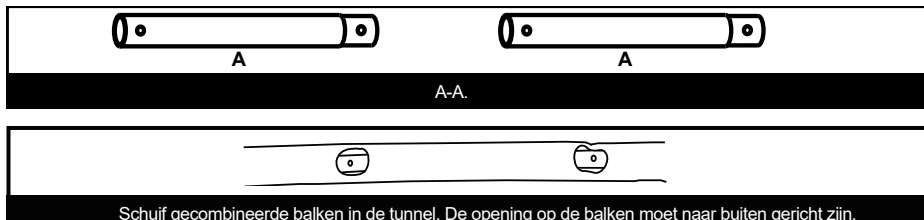
STOPPER

Afdekking afvoerklep

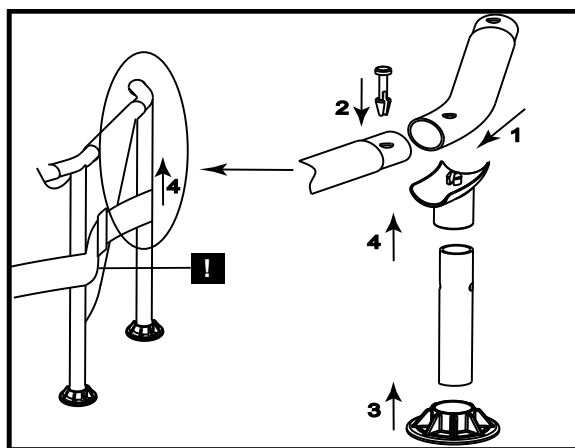
Buitenste afvoerstop A

Buitenste afvoerstop B

Stap 3. Installeer de horizontale buizen



Stap 4. Installeer de T-verbinding



4.1. Steek het T-verbingsstuk onderin de gekoppelde horizontale buizen.

4.2. Steek de pin in het gat van de bovenste buizen

4.3. Bevestig de pootdop onder de verticale poot.

4.4. Steek de poot door de riem van het zwembad en steek in de T-verbinding.

Stap 5. Vul het zwembad met water

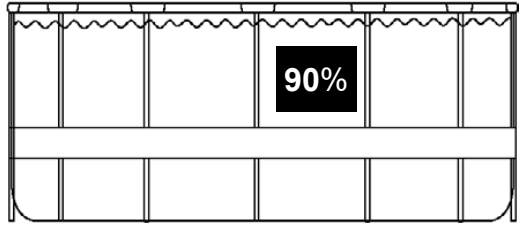
WAARSCHUWING: Laat het zwembad niet onbewaakt achter tijdens het vullen met water.

WAARSCHUWING: als er meer dan 2,5 - 5 cm water samenstroomt aan een van de zijden voordat het midden wordt gevuld, staat het zwembad niet waterpas genoeg en moet dat worden gecorrigeerd. U moet de afvoerstop uittrekken, het water volledig laten weglopen, het zwembad volledig demonteren, het zwembad op een effen oppervlak plaatsen en de installatierichtlijnen herhalen.

WAARSCHUWING: NIET TE VEEL VULLEN omdat het zwembad hierdoor kan inzakken. Bij zware regenval moet u soms wat water aflaten om zeker te zijn dat het waterpeil goed is.

5.1. Zorg dat het afvoerhulpstuk stevig is aangesloten en de kap op zijn plaats is. Begin het zwembad te vullen met water. Nadat ongeveer 2,5 cm water op de bodem is gevuld, stopt u het vullen en wrijft u de kreuken uit de onderkant van het zwembad. Trek de buitenwand vanaf de bovenrand, helemaal rond de onderkant van het zwembad, zodat het gelijkmatig wordt gevuld.

5.2. Ga door met het vullen van het zwembad tot waterlevel



6.0 Demontage en opslag

WAARSCHUWING: Laat uw kinderen niet op het omgevouwen deel staan en zorg dat ze niet in de richting van de wateruitlaat gericht zijn tijdens de afvoer. De waterstroom kan uw kinderen meesleuren.

WAARSCHUWING: Het zwembad moet worden opgeslagen op een koele en droge plek, waar geen scherpe objecten aanwezig zijn of er geen zware objecten boven liggen waardoor het zwembad kan beschadigd raken.

Stap 1. Als u een filterpomp hebt, moet u zorgen dat de elektriciteitsbron naar de filterpomp is losgekoppeld.

Stap 2. Controleer of de buitenste afvoerstop stevig in de binnenzijde van het zwembad is gestopt.

Stap 3. Bevestig uw tuinslang op de connector van de afvoerklep en plaats het andere uiteinde van de slang in een gebied waar het water veilig kan worden afgevoerd, zoals een stormbekken of een goot. Denk eraan dat water altijd zijn eigen niveau zoekt. Daarom moet het uiteinde van de slang langer liggen dan het zwembad zodat een volledige afvoer is gegarandeerd.

Stap 4. Als u een filterpomp hebt, stopt u stopper in de inlaat- en itlaatbevestigingen, op de binnenkant van het zwembad, en koppelt u vervolgens de filterpompslangen los.

Stap 5. Bevestig de connector van de afvoerklep op de afvoeruitlaat door de connector rechtsonder te draaien.

Stap 6. Open de buitenste afvoerstop op de binnenkant van het zwembad en het water wordt onmiddellijk afgevoerd.

Stap 7. Koppel de slang en afvoerklepconnector los wanneer u klaar bent.

Stap 8. Vervang de buitenste afvoerstop op de binnenkant van het zwembad.

Stap 9. Zorg dat de zwembadbekleding helemaal droog is voordat u het zwembad samenvouwt voor langdurige opslag. Als u het zwembad enkele uren blootgesteld laat aan zonlicht, wordt het gereinigd en verloopt het drogen sneller zodat het gemakkelijker wordt om het zwembad op te slaan voor opslag. (Probeer nooit een zwembad op te vouwen of op te beregen als het niet helemaal droog is. Anders kan dit leiden tot de vorming van schimmel terwijl het zwembad is opgeslagen.)

Stap 10. Denk eraan dat een goede opslag tijdens de winter cruciaal is om uw investering in een zwembad te beschermen. Zodra het leeggemaakt en droog is, moet u het zwembad zorgvuldig opvouwen en in een grondzeil (indien beschikbaar) of een soortgelijk beschermend zeilmateriaal wikkelen. Het zwembad en alle toepasselijke accessoires zoals de pomp, afdekken, grondzeil, ladder, slangen, klemmen en hardware moeten samen worden behouden en binnenshuis worden opgeslagen op een redelijk warme, droge en waterdichte locatie.

6.1 Vouw instructies

Vóór het opvouwen is het beter alle onderdelen en het zwembad te drogen door ze ongeveer een uur in de zon te leggen (PIC. 1). Verspreid vervolgens wat talkpoeder om te verhinderen dat het PVC samenplakt.

Stap 1. Vouw de uitstekende zijkant naar binnen om de rechthoekige vorm te maken (PIC. 2).

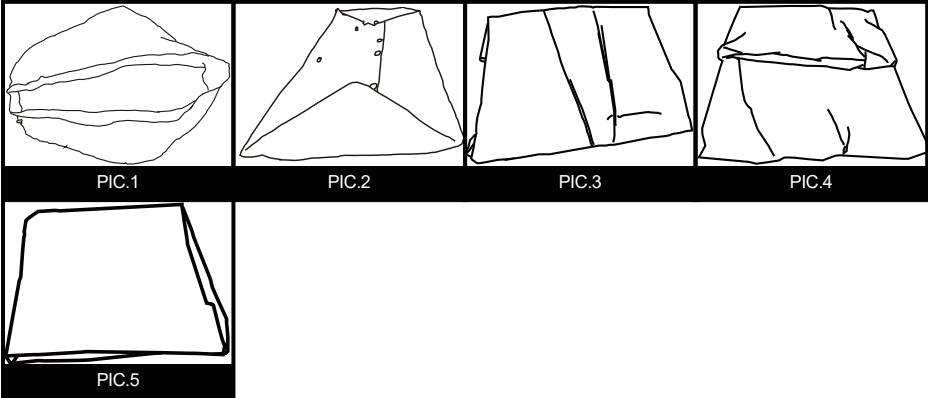
Stap 2. Vouw elke helft van de rechthoek om een kleinere rechthoekige vorm te maken (PIC. 3).

Stap 3. Vouw elk uiteinde naar achter. (PIC. 4).

Stap 4. Vouw de resterende uiteinden samen om een rechthoekige vorm te maken (PIC. 5).

TIP 1. Verwijder de lucht binnenin om het gevouwen zwembad dun en plat te maken tijdens elke vouw.

TIP 2. De originele verpakking kan worden gebruikt voor opslag.



7.0 Seizoens onderhoud en waterverzorging

WAARSCHUWING: Indien toepasselijk, is de filterpomp die bij uw zwembad is geleverd, ontworpen voor het verwijderen van vuil en andere kleine deeltjes uit uw zwembadwater. Om er echter voor te zorgen dat het zwembadwater perfect zuiver, algenvrij en beschermd is tegen schadelijke bacteriën, is het **HEEL BELANGRIJK EEN CONSISTENT SCHEMA VAN CHEMISCHE BEHANDELING TOE TE PASSEN**. Neem contact op met uw lokale zwembadhandelaar voor richtlijnen over het veilig en effectief gebruik van chloor, schok, algicide en andere dergelijke chemische middelen.

WAARSCHUWING: om irritatie van de huid en ogen of zelfs letsels aan baders te voorkomen, mag u nooit chemische producten in het zwembad doen terwijl er personen in het zwembad zijn. Voeg nooit chemische producten of stoffen toe aan uw zwembad als u niet de juiste hoeveelheid of het juiste type kunt controleren om het toe te voegen aan het water. Raadpleeg een zwembadhandelaar voor specifieke instructies en richtlijnen betreffende het gebruik van chemische producten in uw zwembad.

WAARSCHUWING: wij raden zwembadeigenaars sterk aan het water in hun zwembad frequent te testen om zeker te zijn dat de pH- en chloorconcentratie in het water optimaal is voor veilig en aangenaam zwemmen gedurende het hele seizoen. Raadpleeg uw zwembadhandelaar voor een geschikte testset en instructies over het gebruik ervan.

WAARSCHUWING: Niet-naleving van de onderhoudsvoorschriften kunnen een ernstig gevaar voor de gezondheid, vooral voor kinderen, veroorzaken.

Dit product is bedoeld om buiten het seizoen te worden opgeslagen. Als u in een temperatuursgebied leeft waar het zwembad niet het hele jaar wordt gebruikt, wordt u **TEN ZEERSTE AANGERADEN** om het zwembad leeg te laten lopen, grondig te laten drogen en het voor het buitenseizoen op een beschermde plaats op te slaan. Hiermee verlengt u de levensduur van het zwembad en voorkomt u dat er een veiligheidsrisico optreedt terwijl het zwembad niet in gebruik is. Tijdens het gebruiksseizoen van het zwembadpakket, moet het filtersysteem (indien van toepassing) dagelijks worden ingeschakeld, lang genoeg om zeker te zijn dat het watervolume minstens eenmaal is vernieuwd.

Om uw zwembadwater het hele seizoen schoon en hygiënische te houden, moet u nauwgezet de volgende richtlijnen volgen:

1. Het juiste en consistente gebruik van standaard chemische zwembadproducten is vereist om een juiste pH-balans in uw zwembadwater te behouden. Bovendien zal het gebruik van chemische producten de groei van schadelijke bacteriën of algen in uw zwembad stoppen en uw filterpomp helpen het water in uw zwembad kristalhelder te houden. Chemische producten die uw zwembad mogelijk nodig heeft, omvatten, maar zijn niet beperkt tot:

1) Chloor in tabletvorm, korrels of vloeibaar: Desinfecteer zwembadwater en verhindert de groei van algen.

2) Chemische stoffen voor de regeling van het PH-gehalte: Deze worden gebruikt voor het corrigeren van PH-niveau en maken water meer of minder zuurhoudend.

3) Algiciden: deze chemische producten worden geformuleerd voor het verwijderen van algen.

4) "Shock" (Superchlorinator): Elimineert bepaalde organisch en andere gecombineerde stoffen die de waterhelderheid kan beïnvloeden. Om specifieke details over het gebruik van chemische producten te verkrijgen, raadpleegt u een lokale zwembadhandelaar en vermeldt u het volume water in uw specifiek zwembad en, indien gewenst, een staal van uw zwembadmonster. Hiermee zult u ze goed kunnen informeren over: 1) de chemische producten die moeten worden aangeschaft, 2) de aan te kopen hoeveelheid van chemische producten en 3) hoe u specifieke chemische producten veilig en effectief kunt gebruiken.

2. Zorg dat chloor nooit in direct contact komt met de bekleding van het zwembad zolang het niet volledig is opgelost. Dit betekent dat chloor in korrels of tabletten eerst moet worden opgelost in een emmer water voordat het in het zwembad wordt gegoten. Op dezelfde manier moet vloeibare chloor gelijkmatig in het zwembadwater worden gegoten vanaf verschillende locaties rond het zwembad.

GEVAAR: voeg NOOIT water toe aan chemische producten. Voeg IN PLAATS DAARVAN chemische producten toe aan water. Meng nooit afzonderlijke chemische producten samen. Voeg chemische producten eerder afzonderlijk toe aan het zwembad en laat ze door het zwembad circuleren voordat u extra types chemische producten toevoegt.

3. Wij raden u aan een testkit aan te schaffen en uw zwembadwater vaak te testen om zeker te zijn dat de PH-balans en chloorniveaus optimaal zijn. Uw lokale zwembadhandelaar kan informatie bieden over de aankoop en het gebruik van een testset die het meest geschikt is voor uw behoeften. **OPMERKING:** Te hoge chloorniveaus of lage (zuurhoudende) pH-niveaus kan de zwembadbekleding beschadigen. Breng daarom zo snel mogelijk correcties aan als de tests een van de twee omstandigheden aantonen. De taken voor het verwijderen van groter afval uit uw zwembad en het schoon houden van de binnenkant van de zwembadbekleding, worden vereenvoudigd met een snel op te zetten zwembadpakket dat een bladschepnet en een stofzuiger met tuinslang. Onderhoudspakketten zijn inbegrepen als een bonusfunctie in grotere zwembadsystemen. Ze kunnen ook afzonderlijk worden aangeschaft als een accessoire. Neem contact op met uw lokaal centrum voor service na verkoop voor advies over reparaties tijdens de levensduur van het zwembadpakket.

4. Controleer, indien toepasselijk, elke twee weken (of vaker tijdens perioden van intens gebruik) de cassette van uw filterpomp om te zien of de deze moet worden gereinigd of vervangen. Als uw cassette niet meer wit is, probeert u deze schoon te spuiten met een krachtige straal water van uw tuinslang. Als uw cassette niet op deze wijze kan worden gereinigd, moet de cassette worden vervangen. Als u de cassettes niet regelmatig reinigt en/of vervangt, wordt de doeltreffendheid van uw filterpomp beïnvloed en kan de nuttige levensduur verkorten.

5. Als uw zwembadsysteem een afdekking heeft, moet u proberen het zwembad altijd afgedekt te houden wanneer het niet in gebruik is. Hiermee wordt verhinderd dat de wind en andere elementen vuil en afval in uw zwembad afzetten. Bovendien kan het zwembad niet overvol worden door regenwater.

6. Herinner uw familie en vrienden eraan om altijd vuil of zonnebrandolie van hun handen en lichaam te spoelen voordat ze in het zwembad stappen.

7. Het is nodig de bouten en bouwelementen van het zwembad te controleren (bijv. roestvlek) wanneer dat nodig is.

8. Zodra uw zwembad voor het seizoen is gevuld met water, moet u erop letten dat uw zwembad niet overvol raakt door regenwater of door het per ongeluk te veel vullen; In dat geval is het belangrijk zo snel mogelijk overtollig water af te laten of leeg te hozen. Als het een opblaasbaar ringbad is, mag het waterpeil nooit hoger zijn dan de onderste rand van de opblaasbare ring.

8.0 Problemen oplossen

PROBLEEM	BESCHRIJVING	OORZAAK	OPLOSSING
GEKLEURD WATER	<ul style="list-style-type: none"> Het water wordt blauw, bruin of zwart wanneer het de eerste keer wordt behandeld met chloor. 	<ul style="list-style-type: none"> Chloor oxideert mineralen in uw water. Dit gebeurt doorgaans met water van verschillende bronnen. 	<ul style="list-style-type: none"> Pas de pH-waarde aan naar het aanbevolen niveau. Laat de filter lopen tot het water helder is. Maak de cassette regelmatig schoon.
ZWEVENDE DEELTJES IN WATER	<ul style="list-style-type: none"> Water ziet er "melkachtig" of bewolkt uit. 	<ul style="list-style-type: none"> "Hard water" veroorzaakt door een hoge pH-waarde. Chlorering volstaat niet. Vreemd afval in water. Baders reinigen hun voeten niet voordat ze in het zwembad stappen. 	<ul style="list-style-type: none"> Pas de pH-waarde aan. Raadpleeg een zwembadhandelaar voor een correcte waterbehandeling. Zorg voor het juiste chloorniveau. Reinig of vervang uw filter. Spuut vuil af met een hogedrukslang voordat u in het zwembad stapt.
BLIJVENDE LAAG WATERPEIL	<ul style="list-style-type: none"> Het zwembad lijkt dagelijks water te verliezen. 	<ul style="list-style-type: none"> Scheur of gat in de zwembadbekleding. Scheur of gat in een filterpompslang. Slangklemmen zijn te los. Verdamping door hoge zomertemperaturen. 	<ul style="list-style-type: none"> Zoek de schade en repareer deze met de bijgeleverde reparatiekit. Repareer of vervang de slangen. Maak alle slangklemmen vast. Houd het zwembad afgedekt wanneer het niet in gebruik is.
ALGEN	<ul style="list-style-type: none"> Water heeft een groenachtige tint. Groene, bruine of zware punten verschijnen op de zwembadbekleding. De bodem van het zwembad is glad en/of er is een onaangename geur aanwezig. 	<ul style="list-style-type: none"> Er zijn algen aanwezig. 	<ul style="list-style-type: none"> Pas een "schokbehandeling" toe (superchlorinator). Controleer pH en pas de waarde aan naar een geschikt niveau volgens uw lokale zwembadhandelaar. Stofzuig of schrob de zwembadbehuizing licht. Test vaak het water om geschikte chloorniveaus te behouden.
HET ZWEMBADWATER IS KOEL	<ul style="list-style-type: none"> Water warmt niet op naar een comfortabele zwemtemperatuur. 	<ul style="list-style-type: none"> Zwembad is geïnstalleerd op een plaats waar veel schaduw is of waar bomen staan. Er ontsnapt warmte aan het 	<ul style="list-style-type: none"> Verplaats het zwembad naar een meer open locatie waar het maximaal wordt blootgesteld aan zonlicht tijdens piekuren. Houd uw zwembad afgedekt wanneer het

9.0 Beperkte Garantie

We bieden voor alle componenten van dit zwembad (zonder de filterpompeenheid*) een `garantie tegen defecten in materialen en werkuitvoering, gedurende een periode van 90 dagen vanaf de aankoopdatum, bij normaal gebruik en service, alleen voor de originele koper.

Zijn er onderdelen door de gebruiker vervangen, beschadigd of onjuist gebruikt, dan is de garantie op die onderdelen ongeldig. In dat geval zullen we u informeren over de prijs van vervangingsonderdelen en de verdere instructies.

Als gedurende de relevante tijdsperiode een verifieerbare fabrieksfout wordt gevonden, gaan wij als optie van de garantie voor een product ermee akkoord om het te repareren of te vervangen, mits het juiste aankoopbewijs wordt getoond.

Deze beperkte garantie is niet geldig als het product voor commerciële doeleinden wordt gebruikt, of bij schade door een ongeluk, natuurramp, verkeerd gebruik, verwaarlozing of misbruik, vandalisme, onjuist gebruik van chemicaliën, blootstelling aan extreme weersomstandigheden of verwaarlozing tijdens het instellen of demonteren van het product.

Wij kunnen niet aansprakelijk worden gesteld voor de kosten van installatie, werkzaamheden of transportkosten die zich door vervanging van defecte onderdelen voordoen. Verder dekt deze beperkte garantie geen onbevoegde wijzigingen die aan het product zelf worden uitgevoerd.



2.0 Introduction

Vous venez de faire l'acquisition du EXIT Frame Pool; nous vous en félicitons!

S'amuser, être actif et jouer dehors.....

Nous faisons tout notre possible pour développer des produits sûr pour les enfants. Étant donné que nos produits sont classés comme étant des jouets, nous nous conformons aux réglementations de sécurité des consommateurs les plus rigoureuses. Avant de commercialiser nos produits, nous faisons réaliser des tests indépendants en vue d'obtenir la certification. Nous testons également en continu nos cycles de production et faisons régulièrement réaliser des tests indépendants à titre de contrôle supplémentaire. Seuls les produits qui se montrent à la hauteur de la norme EXIT Toys la plus rigoureuse sont porteurs de l'étiquette EXIT Toys.

Nous souhaitons vous remercier pour l'achat de ce produit et pour votre fidélité. Nous sommes sûrs que vos enfants s'amuseront autant que nous nous sommes amusés durant la phase de développement. Nous sommes très ouverts et preneurs de tous les commentaires et idées qui pourraient nous aider à améliorer nos produits et à en développer de nouveaux. Vous êtes invités à nous envoyer vos idées à info@exittoys.com.

Découvrez le monde de EXIT Toys, ses produits de divertissement branchés et ses nouveautés sur www.exittoys.com.

L'équipe EXIT Toys.

3.0 RÈGLES IMPORTANTES DE SÉCURITÉ



AVERTISSEMENT: O Pour augmenter l'agrément de votre piscine et protéger la sécurité des personnes dans et autour de la piscine, **RESPECTEZ TOUJOURS STRICTEMENT** les instructions de sécurité et de maintenance suivantes

- 1). Il est de la responsabilité du propriétaire de la piscine d'identifier et de respecter toutes les lois locales et nationales concernant la sécurité des piscines hors sol AVANT d'installer ou d'utiliser la piscine. Elles comprennent, mais ne se limitent pas à, des lois sur : les terrasses, les clôtures, les barrières, les couvercles, les échelles de piscine, l'éclairage et les équipements de sécurité exigés. Veuillez consulter les autorités locales pour vous assurer de la conformité.
- 2). Ne laissez pas les enfants sans surveillance dans la piscine. Assurez-vous toujours qu'au moins un adulte responsable encadre tous les enfants et en particulier ceux qui ne savent pas nager, À CHAQUE INSTANT. Ne nagez jamais / ne vous baignez jamais tout seul.
- 3). Ne laissez JAMAIS personne plonger ou sauter dans la piscine. N'entrez jamais dans la piscine depuis une terrasse ou une autre surface surélevée. Le niveau d'eau dans votre piscine est extrêmement peu profond et n'est pas adapté à ces activités. Ne pas respecter ces instructions peut entraîner de graves blessures voire la mort.
- 4). N'autorisez pas les enfants ou les adultes à participer à des « bagarres » ou à d'autres activités ou sports agressifs dans ou autour de la piscine. Ne pas respecter cette directive peut causer de graves blessures pour les personnes dans et autour de la piscine.
- 5). Conservez toujours l'équipement de sécurité approprié de la piscine dans une zone facilement accessible à proximité de votre piscine. Signalez de manière claire les numéros de téléphone de secours ainsi que les bulletins de renseignements et les règles de sécurité (telles que « Défense de sauter et de plonger » et « Ne pas nager seul » N'autorisez pas les baigneurs dans la piscine si la zone n'est pas suffisamment lumineuse ou éclairée.
- 6). Tous les filtrages sont conformes à la norme d'installation NF C 15-100 qui spécifie que tous les équipements électriques situés à moins de 3,50 m du bassin et avec un accès libre doivent avoir une alimentation basse tension de 12 V. Tous les équipements électriques alimentés en 220 V doivent se situer à au moins 3,50 mètres du bord du bassin. Consultez le fabricant en cas de changement d'un ou plusieurs éléments du système de filtrage (pour le marché français).
- 7). La sécurité des enfants dépend entièrement de vous ! Les enfants de moins de 5 ans sont exposés au danger maximal. Les accidents n'arrivent pas toujours aux autres ! Veuillez le garder à l'esprit à tout moment !
- 8). Surveillez et agissez :

- Désigner une personne responsable de la sécurité.
 - La surveillance des enfants doit être rapprochée et constante ;
 - Désignez un seul responsable de la sécurité ;
 - Renforcez la surveillance lorsqu'il y a plusieurs utilisateurs dans la piscine ;
 - Apprenez à nager à vos enfants dès que possible ;
 - Mouillez nuque, bras et jambes avant d'entrer dans l'eau ;
 - Apprenez les gestes qui sauvent et surtout ceux spécifiques aux enfants ;
 - Interdisez le plongeon ou les sauts en présence de jeunes enfants ;
 - Interdisez la course et les jeux vifs aux abords de la piscine ;
 - N'autorisez pas l'accès à la piscine sans gilet ou brassière pour un enfant ne sachant pas bien nager et non accompagné dans l'eau ;
 - Ne laissez pas de jouets à proximité et dans le bassin qui n'est pas surveillé ;
 - Maintenez en permanence une eau limpide et saine ;
 - Stockez les produits de traitement d'eau hors de la portée des enfants ;
- 9). Prévoyez :
- Téléphone accessible près du bassin pour ne pas laisser vos enfants sans surveillance quand vous téléphonez ;
 - Bouée et perche à proximité du bassin ;
- 10). Par ailleurs, certains équipements peuvent contribuer à la sécurité :
- Barrière de protection dont le portail sera constamment maintenu fermé (par exemple une haie ne peut être considérée comme une barrière) ;
 - Couverture de protection manuelle ou automatique correctement mise en place et fixée ;
 - Détecteur électronique de passage ou de chute, en service et opérationnel ;
- mais ils ne remplacent en aucun cas une surveillance rapprochée ;
- 11). En cas d'accident :
- Sortez l'enfant de l'eau le plus rapidement possible ;
 - Appelez immédiatement du secours et suivez les conseils qui vous seront donnés ;
 - Remplacez les habits mouillés par des couvertures chaudes ;
- 12). Mémorisez et affichez près de la piscine les numéros de premiers secours :
- Pompiers : (18 pour la France) ;
 - SAMU : (15 pour la France) ;
 - Centre antipoison ;
- 13). Interdire l'accès au bassin en cas de détérioration du ou des système(s) de filtration :
- 14). Ne pas plonger ;
- 15). Ne pas marcher sur la margelle ;
- 16). Avertissement : Ne mettez jamais la piscine vide à l'air libre.

EMPÊCHER LES NOYADES



AVERTISSEMENT

Observez étroitement les enfants qui se trouvent *dans ou à proximité* de cette piscine. Les enfants de moins de 5 ans présentent le risque le plus élevé de noyade.

Restez à l'écart des dispositifs d'évacuation et d'aspiration



AVERTISSEMENT

Vos cheveux, votre corps et vos bijoux peuvent être aspirés dans l'évacuation. Vous pourriez être maintenu sous l'eau et vous noyer !

NE PAS PLONGER !



AVERTISSEMENT

Vous pouvez vous rompre le cou et rester paralysé !

4.0 SÉLECTION DU SITE

AVERTISSEMENT: Les piscines installées sur des surfaces insuffisamment de niveau sont soumises à des fuites, à la formation d'irrégularités, ou à l'effondrement, ce qui peut entraîner des dommages matériels ou des blessures graves pour les personnes à l'intérieur ou autour de la piscine !

AVERTISSEMENT: N'utilisez pas de sable pendant le processus d'installation. S'il apparaît qu'il y a besoin d'utiliser un « agent de nivellement », votre site d'installation est probablement inadapté. **NE PAS RESPECTER CET AVERTISSEMENT PEUT CAUSER DE GRAVES BLESSURES.**

ATTENTION: Veuillez choisir soigneusement votre zone d'installation car la pelouse et la végétation souhaitée sous la toile de sol (le cas échéant) mourra. De plus, essayez d'éviter d'installer la toile de sol (le cas échéant) dans des zones sujettes à des espèces de plantes et de mauvaises herbes agressives, car elles peuvent pousser à travers la toile de sol (le cas échéant).

ATTENTION: La piscine doit être accessible à une prise CA 110 ou 230 V protégée par un disjoncteur différentiel de fuite à la terre (DDFT). La piscine ne doit pas être installée à moins de 3 mètres de la source d'alimentation, mais pas au-delà de la longueur du cordon de la pompe filtrante. En aucun cas une rallonge électrique ne doit être utilisée pour étendre la portée du raccordement.

Il est absolument essentiel de sélectionner un site adapté pour votre piscine AVANT d'essayer de la remplir avec de l'eau. Veuillez sélectionner un site d'installation qui respecte strictement les directives suivantes :

Guide 1. Assurez-vous que la zone est ferme, plane (aucune bosse ou butte de terre) et extrêmement horizontale, avec une déclivité ne dépassant pas 3° de pente en tout point de la zone d'installation.

Guide 2. Assurez-vous que la surface que vous avez choisie pour mettre en place la piscine est complètement exempte de bâtons, de pierres, d'objets tranchants ou d'autres débris étrangers.

Guide 3 . Sélectionnez une zone qui n'est pas directement sous les lignes électriques aériennes ou les arbres. De plus, assurez-vous que la zone d'installation de la piscine ne contient pas de canalisations, de lignes ou de câbles souterrains d'aucune sorte.

Guide 4. Une toile de sol permet de protéger le liner de la piscine des dommages dus aux mauvaises herbes, aux objets pointus et aux débris.

Guide 5. Si possible, choisissez un emplacement ouvert de votre propriété qui est exposé à la lumière directe du soleil. Ceci vous permettra de chauffer votre piscine.

Sol plat, horizontal CORRECT

Sol bosselé, en pente-INCORRECT



5.0 INSTALLER LA PISCINE

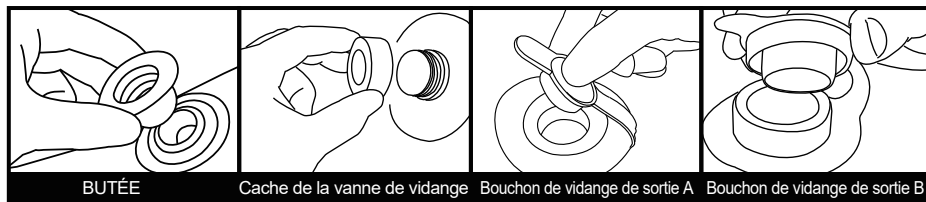
IMPORTANT: Ne commencez pas le montage si des pièces sont manquantes. Pour des pièces de rechange, appelez le numéro de téléphone du Service client dans votre région. Le nombre de personnes nécessaire pour le montage: Au moins 2 personnes. Le temps indicatif de réalisation globale hors préparation du terrain et hors mise en eau: 45 ~60 minutes.

Étape 1. PRISE EN COMPTE DE TOUTES LES PIÈCES.

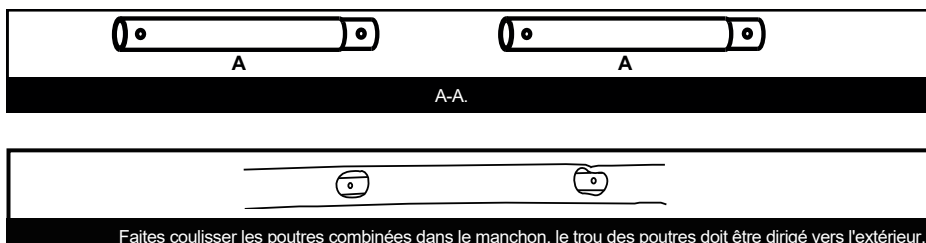
Retirez toutes les pièces du/des carton(s) et placez-les au sol, à l'emplacement où elles doivent être assemblées. Vérifiez chaque pièce selon la « RÉFÉRENCE DES PIÈCES » 1.0. Assurez-vous que toutes les pièces à assembler sont prises en compte.

Étape 2. INSTALLEZ LE CACHE ET LE BOUCHON DES SOUPAPES DE VIDANGE

Assurez-vous que le bouchon de vidange extérieur est inséré dans le capuchon de vidange extérieur et que le cache de la soupape de vidange est vissé fermement. Insérez les trous de raccordement avec les bouchons. (Le bouchon de vidange de sortie change en fonction des différentes tailles de piscine.)

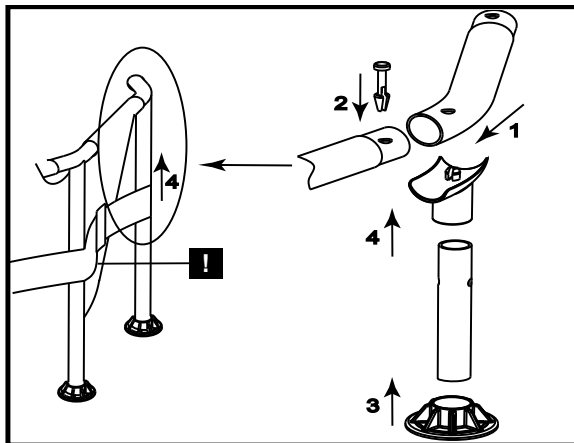


Étape 3. INSTALLEZ LA POUTRE HORIZONTALE



Faites coulisser les poutres combinées dans le manchon, le trou des poutres doit être dirigé vers l'extérieur.

Étape 4. INSTALLEZ LE RACCORD EN T



1. Utilisez l'extrémité de connexion du raccord en T pour connecter les tubes horizontaux adjacents.
2. Insérez fermement la broche dans le trou du tube horizontal connecté et du raccord en T.
3. Installez le capuchon du pied vertical sur le pied vertical.
4. Insérez le pied vertical dans le raccord en T à travers la courroie.

Étape 5. REMPLIR LA PISCINE D'EAU

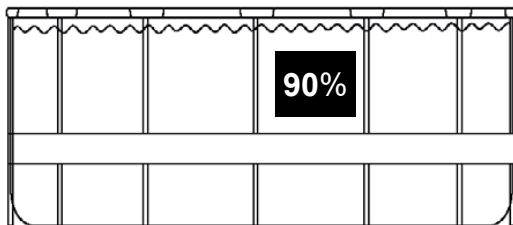
AVERTISSEMENT: Ne laissez pas la piscine sans surveillance lors de son remplissage d'eau.

AVERTISSEMENT: Si plus d'1 à 2 pouces d'eau s'accumule sur un côté avant que vous ne commenciez à remplir au centre. La piscine n'est pas assez horizontale, ce qui doit être corrigé ! Vous devez retirer le bouchon de vidange, vider complètement l'eau, démonter complètement la piscine, localiser la piscine sur une surface plane et répéter les instructions d'installation.

AVERTISSEMENT: NE REMPLISSEZ PAS TROP car cela pourrait entraîner l'effondrement de la piscine. En cas de pluie importante, vous devrez peut-être vider de l'eau pour vous assurer que le niveau est correct.

5.1. Assurez-vous que le raccord de vidange est solidement inséré et que le capuchon est en place. Commencez à remplir la piscine d'eau. Dès qu'environ 1 pouce d'eau est sur le fond, arrêtez de remplir et lissez les plis sur le fond de la piscine. Retirez la paroi extérieure du bord supérieur, sur tout le fond de la piscine, afin qu'il se remplisse de manière homogène.

5.2. Continuez à remplir la piscine jusqu'à ce que la de niveau d'eau.



6.0 DÉMONTAGE ET STOCKAGE

AVERTISSEMENT: Ne laissez pas vos enfants se tenir sur le pli du bas et face à la sortie de l'eau pendant la vidange. Le courant de l'eau peut emporter vos enfants.

AVERTISSEMENT: La piscine doit être stockée dans un endroit frais et sec, sans objet pointu autour ni objets lourds situés au-dessus, ce qui peut endommager la piscine.

Étape 1. Si vous avez une pompe filtrante, assurez-vous que la source électrique de la pompe filtrante a été débranchée.

Étape 2. Vérifiez que le bouchon de vidange est inséré fermement à l'intérieur de la piscine.

Étape 3. Attachez votre tuyau d'arrosage au connecteur de la soupape de vidange et placez l'autre extrémité du tuyau dans une zone où l'eau peut s'écouler en toute sécurité, telle qu'un collecteur d'eaux pluviales ou un caniveau. N'oubliez pas que vu que l'eau trouve toujours son propre niveau, l'extrémité du tuyau doit être moins élevée que la piscine pour assurer une vidange complète.

Étape 4. Si vous avez une pompe filtrante, insérez le bouchon dans les dispositifs d'entrée et de sortie, à l'intérieur de la piscine, puis débranchez les tuyaux de la pompe filtrante.

Étape 5. Fixez le connecteur de la soupape de vidange à la sortie de vidange en tournant le connecteur dans le sens des aiguilles d'une montre.

Étape 6. Ouvrez le bouchon de vidange à l'intérieur de la piscine et l'eau commence à s'évacuer immédiatement.

Étape 7. Débranchez le tuyau et le connecteur de la soupape de vidange dès que terminé.

Étape 8. Remettez le bouchon de vidange à l'intérieur de la piscine.

Étape 9. Assurez-vous que le liner de la piscine a complètement séché avant de plier la piscine pour un stockage à long terme. Laisser la piscine exposée à la lumière du soleil pendant quelques heures nettoie et accélère le processus de séchage et facilite le pliage de la piscine pour son stockage. (N'essayez jamais de plier ou de ranger une piscine qui n'est pas complètement sèche car cela pourrait entraîner une prolifération de moisissure pendant que la piscine est stockée).

Étape 10. N'oubliez pas qu'un stockage correct hors saison est crucial pour protéger votre investissement dans votre piscine (en particulier en hiver). Une fois vidée et sèche, votre piscine doit être soigneusement pliée et enveloppée dans un tapis de sol (le cas échéant) ou un autre élément de protection similaire de type bâche. La piscine et tous les accessoires applicables tels que la pompe, le couvercle, le tapis de sol, l'échelle, les tuyaux, les brides de fixation et la quincaillerie doivent être conservés ensemble et stockés à l'intérieur, dans un emplacement raisonnablement chaud, sec et résistant à l'eau.

6.1 INSTRUCTIONS DE PLIAGE

Avant le pliage, il est préférable de sécher complètement toutes les pièces et la piscine en les laissant au soleil pendant environ 1 heure (IMG.1). Puis appliquez du talc pour empêcher le vinyle de rester collé.

Étape 1. Veuillez plier les bords de la protrusion à l'intérieur pour obtenir une forme rectangulaire. (PIC. 2).

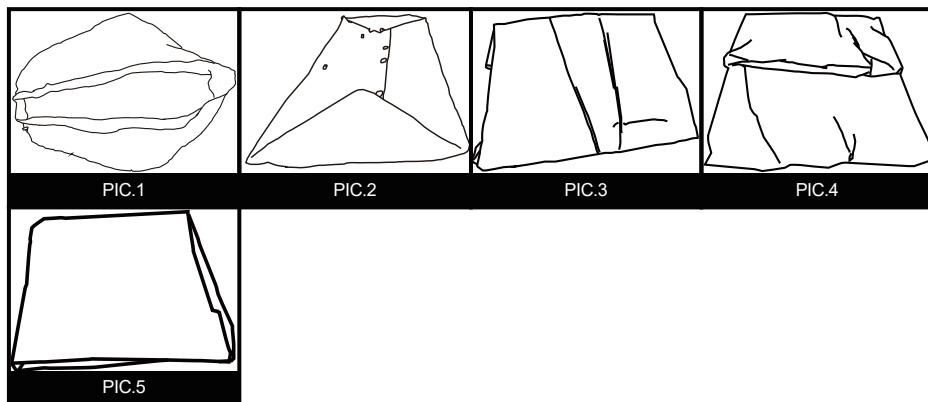
Étape 2. Pliez chaque moitié du rectangle pour obtenir une forme rectangulaire plus petite (PIC. 3).

Étape 3. Pliez chaque extrémité vers l'arrière. (PIC. 4).

Étape 4. Pliez ensemble les extrémités restantes pour créer un dernier rectangle (PIC. 5).

CONSEIL 1. Veuillez retirer l'air à l'intérieur pour rendre la piscine pliée fine et plate lors de chaque pliage.

CONSEIL 2. L'emballage d'origine peut être utilisé pour le stockage.



7.0 MAINTENANCE ET SOIN DE L'EAU

AVERTISSEMENT: Le cas échéant, la pompe filtrante incluse avec votre piscine est conçue pour retirer les saletés et les autres petites particules de l'eau de votre piscine. Cependant, pour maintenir l'eau de la piscine parfaitement claire, exempte d'algues et sans bactérie nocive, il est TRÈS IMPORTANT DE MENER UN RÉGIME CONSTANT DE TRAITEMENT CHIMIQUE. Contactez votre détaillant local de fournitures de piscines pour des conseils sur l'utilisation sûre et efficace du chlore, du choc, de l'algicide et d'autres produits chimiques.

AVERTISSEMENT: Pour éviter une irritation de la peau et des yeux, voire des blessures aux baigneurs, n'ajoutez jamais de produits chimiques dans la piscine pendant qu'elle est occupée. N'ajoutez jamais de produits chimiques ou de substances dans votre piscine si vous ne pouvez pas vérifier la quantité exacte ou le type à ajouter dans l'eau. Consultez un détaillant en fournitures de piscines pour des instructions et des directives spécifiques concernant l'utilisation de produits chimiques dans votre piscine.

AVERTISSEMENT: Il est vivement recommandé que les propriétaires de piscine testent fréquemment l'eau de leur piscine pour s'assurer que le pH et la concentration en chlore de l'eau sont optimaux pour une baignade sûre et agréable pendant toute la saison. Veuillez consulter votre détaillant en fournitures de piscines pour obtenir un kit d'essai adapté et des instructions sur son utilisation.

AVERTISSEMENT: Le non-respect des consignes d'entretien peut engendrer des risques graves pour la santé, notamment celle des enfants.

Ce produit est conçu pour être une piscine saisonnière stockable. Si vous habitez dans une zone tempérée où la piscine ne sera pas utilisée toute l'année, il est **FORTEMENT RECOMMANDÉ** de vider votre piscine, de la nettoyer et de la sécher minutieusement et de le stocker dans un endroit protégé hors saison. Cela permettra de prolonger la durée de vie de votre piscine et d'éviter qu'un danger ne se développe alors que la piscine n'est pas en cours d'utilisation. Pendant la saison d'utilisation du kit de piscine, le système de filtration (le cas échéant) doit être mis en service tous les jours, suffisamment longtemps pour garantir au moins un renouvellement complet du volume d'eau.

Afin de conserver l'eau de votre piscine propre et hygiénique pendant toute la saison, veuillez respecter étroitement les directives suivantes :

1. HL'utilisation appropriée et suivie de produits chimiques de base pour piscines est nécessaire pour maintenir l'équilibre de pH approprié dans l'eau de votre piscine. De plus, l'application de produits chimiques permet d'empêcher le développement de bactéries nocives ou d'algues dans votre piscine et aide votre pompe filtrante à conserver votre eau cristalline. Les produits chimiques pouvant être nécessaires pour votre piscine comprennent mais ne sont pas limités à :

1) Chlore en tablettes, en granulés ou liquide : Désinfecte l'eau de la piscine et neutralise le développement des algues.

2) Produits chimiques d'ajustement du pH : Ils sont utilisés pour corriger le niveau du pH et rendre l'eau plus ou moins acide.

3) Algicides : Ces produits chimiques sont formulés pour retirer les algues.

4) « Choc » (Super chlorinateur) : Élimine certains composants organiques et d'autres combinaisons pouvant affecter la clarté de l'eau.

Afin d'obtenir des détails spécifiques sur l'utilisation des produits chimiques, veuillez consulter un détaillant local de fournitures de piscines et lui fournir le volume d'eau spécifique de votre piscine et, si souhaité, un échantillon de l'eau de votre piscine. Ceci lui permettra de vous renseigner correctement sur : 1) quels produits chimiques acheter, 2) quelles quantités de produits chimiques acheter et 3) comment utiliser des produits chimiques spécifiques en toute sécurité et efficacement.

2. Ne laissez jamais le chlore entrer en contact direct avec le liner de la piscine jusqu'à ce qu'il se soit complètement dissous. Cela signifie que le chlore en granulés ou en tablettes est d'abord dissous dans un seau d'eau avant de l'appliquer à l'eau de la piscine, de même, le chlore liquide est versé lentement et régulièrement dans l'eau de la piscine depuis de nombreux emplacements autour du périmètre de la piscine.

DANGER : N'ajoutez JAMAIS de l'eau à des produits chimiques. À LA PLACE, ajoutez toujours les produits chimiques à l'eau. De même, ne mélangez jamais des produits chimiques séparés ensemble, ajoutez plutôt les produits chimiques séparément dans la piscine et laissez-les circuler dans toute la piscine avant d'ajouter des types

supplémentaires de produits chimiques.

3. Nous vous recommandons d'acheter un kit de test et de tester fréquemment l'eau de votre piscine pour vous assurer que l'équilibre de votre pH et les niveaux de chlore sont optimaux. Votre détaillant local de fournitures de piscines peut fournir des informations sur l'achat et l'utilisation du kit de test le plus adapté à vos besoins.

REMARQUE : Les niveaux excessifs de chlore ou les niveaux faibles (acides) de pH peuvent endommager le liner de votre piscine, veuillez donc prendre des actions correctives dès que possible si le test indique l'un des deux états. Les tâches de retrait des débris plus importants de votre piscine et de maintenir l'intérieur du liner de votre piscine propre sont simplifiées par l'utilisation d'un Kit de maintenance de piscine Prompt Set, qui comprend une écumeuse à feuilles et un aspirateur alimenté par le tuyau d'arrosage. Les Kits de maintenance sont inclus en tant qu'élément en supplément dans les systèmes de piscines de plus grandes dimensions, et peuvent également être achetés séparément en tant qu'accessoires. Veuillez contacter votre centre local de service après-vente si vous souhaitez des conseils sur les réparations pendant le cycle de vie du kit de piscine.

4. Le cas échéant, vérifiez la cartouche de votre pompe filtrante toutes les deux semaines (ou plus fréquemment pendant les périodes d'utilisation intensive) pour vérifier si elle doit être nettoyée ou remplacée. Si votre cartouche ne présente plus une couleur blanche, essayez de la nettoyer en la pulvérisant avec un jet d'eau fort à l'aide de votre robinet d'arrosage. Si votre cartouche ne peut pas être nettoyée de cette façon, elle doit être remplacée. Ne pas nettoyer et / ou remplacer fréquemment vos cartouches affecte l'efficacité de votre pompe filtrante et peut réduire sa durée de vie.

5 Si votre système de piscine comprend un couvercle, essayez de conserver votre piscine couverte à tout moment quand elle n'est pas utilisée. Ceci permet d'empêcher le vent et les autres éléments de déposer des saletés et des débris dans votre piscine, et empêche également l'eau de pluie en excès de trop remplir votre piscine.

6. Rappelez à votre famille et à vos amis de toujours arroser au tuyau ou de rincer les saletés ou l'huile solaire de leurs mains, leurs pieds et leur corps avant d'accéder à la piscine.

7. Il est nécessaire de contrôler les boulons et la quincaillerie de la piscine (par ex. tache de rouille) dès que possible.

8. Une fois que votre piscine a été remplie d'eau pour la saison, notez si votre piscine devient trop remplie en raison de l'eau de pluie ou d'un remplissage trop important accidentel. Si cela se produit, il est important de vidanger ou de vider l'excès d'eau dès que possible. S'il s'agit d'une piscine à anneau gonflable, le niveau d'eau ne doit jamais être supérieur au bord inférieur de l'anneau gonflable.

8.0 DÉPANNAGE

PROBLÈME	DESCRIPTION	CAUSE	REMÈDE
EAU COLORÉE	<ul style="list-style-type: none"> L'eau devient bleue, marron ou noire lorsqu'elle est traitée pour la première fois avec du chlore. 	<ul style="list-style-type: none"> Le chlore oxyde les éléments minéraux dans votre eau. Ceci se produit couramment avec de l'eau de plusieurs sources. 	<ul style="list-style-type: none"> Ajustez le pH au niveau recommandé. Faites fonctionner le filtre jusqu'à ce que l'eau soit claire. Nettoyez régulièrement la cartouche.
PARTICULES EN SUSPENSION DANS L'EAU	<ul style="list-style-type: none"> L'eau a un aspect « laiteux » or sombre. 	<ul style="list-style-type: none"> « Eau calcaire » en raison d'un pH élevé. La chloration n'est pas adéquate. Débris étrangers dans l'eau. Les baigneurs ne nettoient pas leurs pieds avant d'entrer dans la piscine. 	<ul style="list-style-type: none"> Ajustez le pH. Identifiez avec un détaillant de fournitures de piscines le traitement d'eau correct. Assurez le niveau approprié de chlore. Nettoyez ou remplacez votre filtre. Retirez la saleté en pulvérisant avec un tuyau à haute pression avant d'entrer.
FAIBLE NIVEAU D'EAU PERSISTANT	<ul style="list-style-type: none"> Il apparaît que la piscine perd de l'eau quotidiennement. 	<ul style="list-style-type: none"> Déchirure ou trou dans le liner de la piscine. Déchirure ou trou dans un tuyau de pompe filtrante. Les colliers de serrage du tuyau sont trop desserrés. Évaporation en raison des températures élevées en été. 	<ul style="list-style-type: none"> Localisez le dommage et réparez-le avec le kit de réparation inclus. Réparez ou remplacez les tuyaux. Serrez tous les colliers de serrage des tuyaux. Maintenez la piscine couverte quand elle n'est pas utilisée.
ALGUES	<ul style="list-style-type: none"> L'eau a une teinte verdâtre. Des taches vertes, marron ou noires apparaissent sur le liner de la piscine. Le fond de la piscine est glissant et/ou une odeur désagréable est présente. 	<ul style="list-style-type: none"> Des algues sont présentes. 	<ul style="list-style-type: none"> Appliquez le traitement « choc » (super chlorinateur). Vérifiez le pH et ajustez-le à un niveau approprié selon votre détaillant local de fournitures de piscines. Passez l'aspirateur ou frottez légèrement le liner de la piscine. Testez régulièrement l'eau pour maintenir des niveaux de chlore appropriés.
L'EAU DE LA PISCINE EST FROIDE	<ul style="list-style-type: none"> L'eau ne se réchauffe pas à une température de baignade confortable. 	<ul style="list-style-type: none"> La piscine a été installée dans une zone excessivement ombragée ou bordée d'arbres. La chaleur s'échappe de l'eau de la piscine. 	<ul style="list-style-type: none"> Déplacez la piscine dans un endroit plus ouvert où elle pourra bénéficier d'une exposition maximale à la lumière du soleil pendant les heures de pic de lumière du soleil. Maintenez votre piscine couverte quand elle n'est pas utilisée.

9.0 GARANTIE LIMITÉE

Nous garantissons tous les composants contenus dans cette piscine (à l'exception de l'unité de pompe filtrante) contre les défauts de matières et de fabrication dans le cadre d'une utilisation normale, pour une période de 90 jours à compter de la date d'achat pour le propriétaire initial uniquement.

Si certains des composants ont été remplacés, endommagés ou mal utilisés par le consommateur, la garantie correspondant à ces composants est invalidée. Dans cette situation, vous êtes tenu informé du coût des pièces de rechange et des frais de traitement.

Si un défaut de fabrication vérifiable est détecté au cours de la période appropriée, nous nous engageons à réparer ou à remplacer, à notre discrétion, tout produit sous garantie pourvu qu'une preuve d'achat adéquate ait été présentée.

Cette garantie limitée n'est pas valide si le produit est utilisé à des fins commerciales, ou si le dommage est causé par un accident, une catastrophe naturelle, une utilisation abusive du consommateur, une négligence ou des mauvais traitements, des actes de vandalisme, une mauvaise utilisation de produits chimiques, une exposition à des conditions météorologiques extrêmes ou une négligence au cours de la mise en place ou du démontage du produit.

Nous ne pouvons pas être tenus responsables des frais d'installation, de main d'œuvre ou de transport, engagés en raison du remplacement des pièces défectueuses. Cette garantie limitée, en outre, ne couvre pas les modifications non autorisées du produit.



2.0 Introducción

¡Enhorabuena por la compra de su Piscina de EXIT Toys!

Divertirse, vivir una vida activa y jugar al aire libre ...

Esa es nuestra motivación para desarrollar juguetes innovadores y de calidad para niños geniales.

Estamos comprometidos con el desarrollo de productos que sean seguros para los niños. Dado que nuestros productos están clasificados como juguetes, cumplimos con los más altos estándares de seguridad para el consumidor. Antes de lanzar un producto al mercado, realizamos pruebas independientes para los certificados requeridos. También realizamos controles continuos durante la producción y regularmente realizamos nuevas pruebas independientes como un control adicional. Solo los productos que cumplen con los estándares más estrictos de EXIT Toys reciben la marca EXIT Toys.

Apreciamos que sea nuestro cliente y le agradecemos su confianza en este producto. Estamos seguros de que sus hijos disfrutarán de este producto tanto como nosotros mientras lo desarrollamos. Porque estamos abiertos a su opinión, sus comentarios e ideas son siempre bienvenidos para que podamos mejorar nuestros productos y desarrollar otros nuevos. No dude en contactarnos en info@exittoys.com.

Visite el mundo de EXIT Toys en www.exittoys.com y descubra nuestros otros productos nuevos y geniales para jugar al aire libre.

El equipo de EXIT Toys

3.0 Instrucciones de seguridad



¡Atención! Lea atentamente, comprenda y siga toda la información de este manual del usuario antes de instalar y utilizar la piscina. Estas advertencias, instrucciones e indicaciones de seguridad tratan sobre algunos riesgos comunes que supone la diversión en el agua, pero no se pueden abarcar todos los riesgos y peligros en todos los casos. Extreme las precauciones y utilice el sentido común y el buen juicio en todo momento cuando disfrute de cualquier actividad en el agua. Conserve esta información para utilizarla como referencia en el futuro.

Seguridad para los que no saben nadar

- 1) Es necesario que en todo momento una persona adulta vigile de forma continua y activa a los nadadores poco experimentados y a las personas que no saben nadar (recuerde que los niños menores de cinco años están sometidos a un alto riesgo de ahogamiento);
- 2) Designe a una persona adulta competente para que vigile la piscina en cada momento que se utilice;
- 3) Los nadadores poco experimentados o las personas que no saben nadar deben utilizar un equipo de protección personal cuando utilicen la piscina;
- 4) Cuando la piscina no se utilice o no esté supervisada, retire todos los juguetes de la misma y de sus alrededores para evitar que los niños se sientan atraídos hacia ella.

Dispositivo de seguridad

- 1) Es recomendable instalar una barrera (y proteger todas las puertas y ventanas donde proceda) para evitar el acceso no autorizado a la piscina;
- 2) Las barreras, las fundas de piscina, las alarmas de piscina o dispositivos de seguridad similares son ayudas útiles, pero no eliminan la necesidad de la supervisión continua y competente por un adulto.

Equipo de seguridad

- 1) Es recomendable disponer de un equipo de rescate (anillo flotante) en la piscina;
- 2) Tenga un teléfono operativo y una lista de números de teléfono de emergencia cerca de la piscina.

Uso seguro de la piscina

- 1) Anime a todos los usuarios, especialmente a los niños, a que aprendan a nadar;
- 2) Aprenda las nociones de soporte vital básico (reanimación cardiopulmonar - RCP) y recuerde estos conocimientos con frecuencia. Esto puede ser la diferencia entre la vida y la muerte en caso de emergencia;
- 3) Dé instrucciones a todos los usuarios de la piscina, incluidos los niños, sobre lo que tienen que hacer en caso de emergencia;
- 4) Nunca bucee en aguas poco profundas. Si no sigue esta recomendación, se pueden producir lesiones graves o, incluso, la muerte;
- 5) No utilice la piscina si toma alcohol o medicamentos que puedan reducir su capacidad para usar de forma segura la piscina;
- 6) Cuando se utilicen fundas de piscina, retírelas completamente de la superficie del agua antes de entrar en dicha piscina;
- 7) Proteja a los ocupantes de la piscina de enfermedades relacionadas con el agua manteniendo el agua de dicha piscina tratada y practicando buena higiene. Consulte las indicaciones de tratamiento del agua en el manual del usuario;
- 8) Almacene los productos químicos (como productos para tratamiento, limpieza y desinfección del agua) fuera del alcance de los niños.
- 9) Utilice la señalización tal y como se describe a continuación;

- 10) Las escalerillas retirables se deben colocar en una superficie horizontal.
 11) Advertencia: Los exteriores de una piscina vacía pueden dar lugar a riesgos desconocidos.

ATENCIÓN: El montaje lo debe realizar un adulto.

ATENCIÓN: El uso del kit de piscina implica el respeto de las consignas de seguridad que se describen en la guía de mantenimiento y de manejo. El incumplimiento de las consignas de mantenimiento y de manejo puede provocar peligros graves para la salud, en particular, la de los niños.

ATENCIÓN: Solo para uso doméstico en exteriores.

ATENCIÓN: Riesgo de ahogamiento. Los niños sufren peligro de ahogamiento incluso a poca profundidad.

ATENCIÓN: Vacíe la piscina cuando no se use. No deje una piscina vacía en el exterior.

ATENCIÓN: Mantener vigilados a los niños en un entorno acuático.

ATENCIÓN: No zambullirse

Este letrero de seguridad debe colocarse en una posición bien visible a una distancia de 2 metros de la piscina. Alternativamente, puede comprar un pegamento con base de vinilo (no incluido) para pegar el letrero en la pared de la piscina junto al punto de entrada y salida, asegurándose de que todos los usuarios lo pueden ver perfectamente cuando se acerquen a la piscina.



4.0 SELECCIÓN DE LA UBICACIÓN

ADVERTENCIA: Las piscinas instaladas sobre superficies que no sean lo suficientemente lisas pueden perder agua, ser irregulares o desmoronarse, lo que puede producir daños materiales o personales graves en la zona de la piscina o cerca de ella.

ADVERTENCIA: No utilice arena durante el proceso de montaje. Si parece necesario utilizar un agente nivelador, es probable que el lugar elegido para montar la piscina no sea adecuado. SI SE IGNORA ESTA ADVERTENCIA SE PODRÍAN PRODUCIR GRAVES DAÑOS PERSONALES.

PRECAUCIÓN: Elija cuidadosamente la zona en la que va a montar su piscina, pues tanto el césped como cualquier otro tipo de vegetación morirá bajo la tela de fondo (si procede). También debe evitar colocar la tela de fondo (si procede) en zonas en las que proliferen las plantas y las hierbas, pues podrían traspasar dicha tela al crecer.

PRECAUCIÓN: Desde la piscina debe poder accederse a una toma de CA de 110 o 230 voltios protegida por un interruptor diferencial de fuga a tierra. La piscina no debe estar situada a menos de 2 m de la fuente de alimentación, pero tampoco más lejos de lo que mida el cable de la bomba del filtro. En ningún caso debe utilizarse un alargador para realizar la conexión.

Es absolutamente imprescindible elegir un emplazamiento adecuado para su piscina ANTES DE intentar llenarla de agua. Para montar la piscina, elija un emplazamiento que se ajuste rigurosamente a las siguientes pautas:

Pauta 1. Asegúrese de que la zona sea firme, plana (sin baches ni montículos) y muy lisa, con una pendiente que no supere el 3 por ciento en ningún punto de la zona en la que se va a montar la piscina.

Pauta 2. Asegúrese de que en la zona que ha seleccionado para montar la piscina no haya palos, piedras, objetos afilados ni ninguna otra sustancia extraña.

Pauta 3. Seleccione una zona que no esté justo debajo de cables del tendido eléctrico ni de árboles. También debe asegurarse de que bajo la zona en la que va a montar la piscina no haya tuberías, líneas, cables ni conducciones de ningún tipo.

Pauta 4. Si el kit de su piscina incluye una tela de fondo, recomendamos encarecidamente su utilización. La tela de fondo contribuirá a proteger el forro de la piscina de los daños que puedan causar el crecimiento de la hierba, los objetos afilados y la suciedad.

Pauta 5. Si es posible, elija dentro de su propiedad una zona abierta que reciba la luz del sol directamente. Esto contribuirá a templar el agua de su piscina.

Superficie plana y nivelada
- CORRECTO

Superficie desnivelada, inclinada -
INCORRECTO



5.0 INSTALAR LA PISCINA

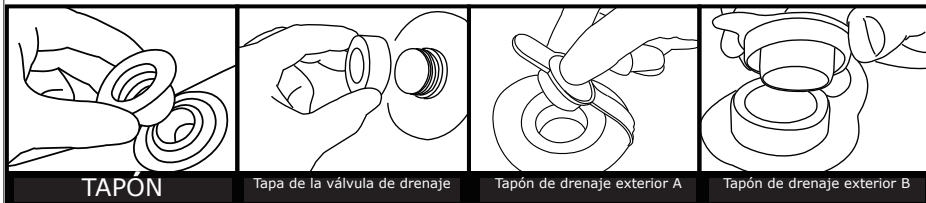
IMPORTANTE: No comience a montar la piscina si falta alguna pieza. Para cambiar las piezas, llame al número de teléfono de servicio de atención al cliente de su zona. Número de personas necesarias para la instalación: al menos 2 adultos. Tiempo de instalación total, sin contar el tiempo necesario para preparar el emplazamiento y el llenado con agua: 45 minutos

PASO 1. CUENTA PARA TODAS LAS PIEZAS.

Saque todas las piezas de las cajas de cartón y colóquelas en el suelo en el lugar donde se van a montar. Compruebe cada pieza conforme a la sección "REFERENCIA DE LAS PIEZAS". Asegúrese de que todas las piezas que se van a montar están presentes.

PASO 2. INSTALAR LA TAPA Y EL TAPÓN DE LAS VÁLVULAS DE DRENAJE

Asegúrese de que el tapón de drenaje exterior esté insertado en la tapa de drenaje exterior y que la tapa de la válvula de drenaje está atornillada firmemente. Tape los orificios de unión con los taponos. (El tapón de drenaje de salida cambia según sea el tamaño de la piscina.)



TAPÓN

Tapa de la válvula de drenaje

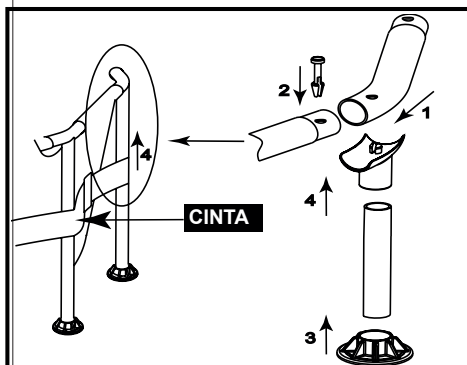
Tapón de drenaje exterior A

Tapón de drenaje exterior B

PASO 3. INSTALAR EL LARGUERO HORIZONTAL



PASO 4. INSTALAR LA UNIÓN EN T



1. Utilice el extremo de la conexión de la unión en T para unir los tubos horizontales adyacentes.
2. Inserte el pasador en el orificio del tubo horizontal unido y la unión en T firmemente.
3. Instale la tapa de la pata vertical en dicha pata.
4. Inserte la pata vertical en la unión en T a través de la cinta.

SUGERENCIA: Si no puede encontrar el orificio en el tubo horizontal o en la pata vertical, gire los tubos hasta que el pasador encuentre el orificio.

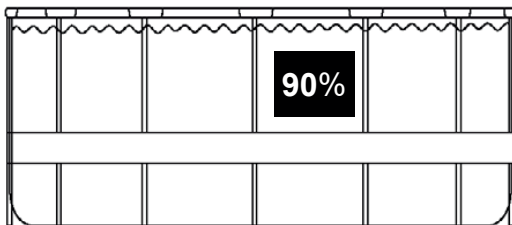
PASO 5. LLENAR LA PISCINA CON AGUA

ADVERTENCIA: No deje la piscina desatendida mientras se llena con agua.

ADVERTENCIA: ¡Si se juntan más de 2,5~5 cm (1~2 pulgadas) de agua en cualquiera de los dos lados antes de que el agua alcance el centro, significa que la piscina no está lo suficientemente nivelada y se debe corregir este problema! Debe extraer el tapón de drenaje, soltar todo el agua, desmontar la piscina completamente, colocar la piscina en una superficie plana y repetir las instrucciones de instalación.

ADVERTENCIA: NO LLENE EN EXCESO la piscina, ya que ésta podría derrumbarse. Cuando llueva intensamente, puede que tenga que vaciar algo de agua para garantizar que el nivel es el correcto.

1. Asegúrese de que los elementos de drenaje están tapados de forma segura y la tapa colocada en su lugar. Comience a llenar la piscina con agua. Después de que se haya acumulado 2,5 cm (1 pulgada) aproximadamente de agua en la parte inferior, detenga el llenado y elimine las arrugas del suelo de la piscina. Tire de la pared exterior hacia fuera desde el borde superior, alrededor de todo el suelo de la piscina, de manera que se llene uniformemente.



2. Continúe llenando la piscina hasta que nivel del agua.

6.0 ALMACENAMIENTO DURANTE EL INVIERNO Y A LARGO PLAZO

ADVERTENCIA: No permita que los niños se sitúen frente a la salida del agua en un plano inferior durante el vaciado de la piscina. La corriente de agua podría arrastrarlos.

ADVERTENCIA: La piscina se debe guardar en lugares frescos y secos, sin objetos punzantes a su alrededor ni objetos pesados sobre ella, ya que, de lo contrario, podría resultar dañada.

Paso 1. Si tiene una bomba con filtro, asegúrese de que la fuente que suministra electricidad a dicha bomba se ha desconectado.

Paso 2. Compruebe que el tapón de drenaje de salida esté bien insertado en la parte interior de la piscina.

Paso 3. Conecte la manguera de su jardín al conector de la válvula de drenaje, situando el otro extremo de la manguera en una zona en la que pueda vaciar el agua con seguridad, como un colector para aguas pluviales o una alcantarilla. Recuerde que, dado que el agua siempre tiende a nivelarse, el extremo de la manguera debe estar situado en un punto menos elevado que la piscina para asegurarse de que ésta se vaciará completamente.

Paso 4. Si tiene una bomba con filtro, inserte el tapón en los elementos de entrada y salida, en el interior de la piscina y, a continuación, desconecte las mangueras de la bomba del filtro.

Paso 5. Una el conector de la válvula de drenaje a la boca de salida girando el adaptador hacia la derecha.

Paso 6. Abra el tapón de drenaje de salida del interior de la piscina y el agua empezará a salir inmediatamente.

Paso 7. Desconecte la manguera y el conector de la válvula de drenaje cuando termine.

Paso 8. Vuelva a colocar el tapón de drenaje de salida en el interior de la piscina.

Paso 9. Asegúrese de que el forro de la piscina esté completamente seco antes de doblar la piscina para almacenarla durante un largo período. Si expone la piscina a la luz del sol durante unas horas se limpiará, se acelerará el proceso de secado y hará

que sea más sencillo doblarla para guardarla. (Nunca intente doblar ni guardar una piscina que no esté completamente seca, pues esto podría provocar la proliferación de moho durante el período de almacenamiento de dicha piscina.)

Paso 10. Recuerde que almacenar correctamente la piscina fuera de temporada (especialmente en invierno) es fundamental para rentabilizar el dinero que ha invertido adquiriendo la piscina. Una vez vaciada y seca, debe doblar cuidadosamente la piscina y envolverla en una tela de fondo (si dispone de una) o en otro material protector similar a un encerado. La piscina y todos sus accesorios, como la bomba, la cubierta, la tela de fondo, la escalera, las mangueras, las abrazaderas y las piezas metálicas, deben guardarse conjuntamente y almacenarse a cubierto, en un lugar templado, seco e impermeable.

6.1 INSTRUCCIONES DE PLEGADO

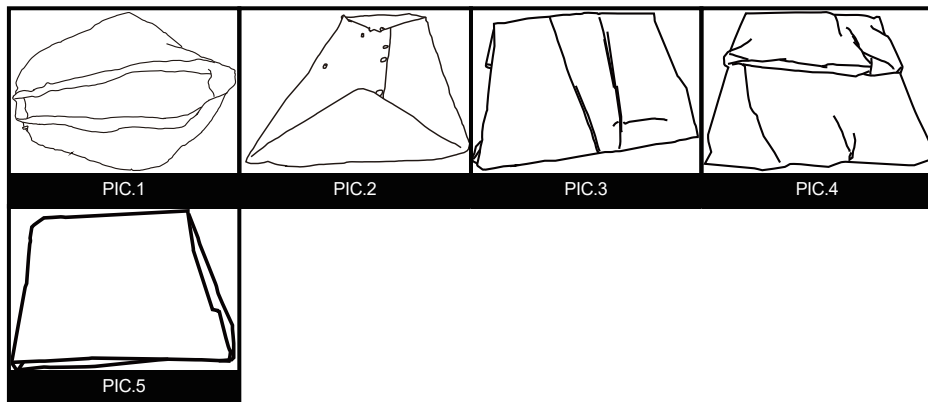
Antes de plegar la piscina, es mejor secar todas las piezas y la propia piscina completamente tendiéndola al sol durante una hora aproximadamente (PIC. 1). Después, esparza polvos de talco para evitar que el vinilo se pegue entre sí.

Paso 1. Pliegue los lados que sobresalen dentro para conseguir una forma rectangular (PIC. 2).

Paso 2. Pliegue cada mitad del rectángulo para conseguir una forma rectangular más pequeña (PIC. 3).

Paso 3. Pliegue cada extremo hacia atrás. (PIC. 4).

Paso 4. Pliegue el resto de los extremos conjuntamente para crear un rectángulo perfecto (PIC. 5).



SUGERENCIAS 1. Extraiga el aire del interior para que la piscina plegada quede fina y plana durante cada pliegue.

SUGERENCIAS 2. Puede utilizar el empaquetado original para el almacenamiento.

7.0 MANTENIMIENTO DE LA PISCINA Y CUIDADO DEL AGUA

ADVERTENCIA: Si procede, la bomba del filtro que incluye su piscina está diseñada para eliminar suciedad y otras pequeñas partículas del agua de dicha piscina. De todos modos, para mantener el agua de la piscina completamente limpia, sin algas y sin bacterias dañinas, es MUY IMPORTANTE REALIZAR SISTEMÁTICAMENTE TRATAMIENTOS QUÍMICOS. Pida consejo a su distribuidor minorista local de piscinas sobre el uso seguro y eficaz de cloro, tratamientos de choque, alguicidas y otros productos químicos similares.

ADVERTENCIA: Para no causar irritación de piel y ojos, o incluso lesiones, a los bañistas, nunca utilice productos químicos en la piscina mientras esté ocupada. Nunca utilice sustancias ni productos químicos en su piscina si no puede comprobar la cantidad o el tipo exactos que debe añadir al agua. Pida recomendaciones e instrucciones específicas sobre el uso de productos químicos en su piscina a un distribuidor minorista de piscinas.

ADVERTENCIA: Se recomienda encarecidamente a los propietarios de piscinas que analicen con frecuencia el agua de sus piscinas para asegurarse de que la concentración de pH y de cloro del agua sea la óptima para poder disfrutar del baño con seguridad durante toda la temporada. Consulte a su distribuidor minorista de piscinas para encontrar un kit de análisis adecuado y conocer sus instrucciones de uso.

ADVERTENCIA: El hecho de no seguir las normas de mantenimiento puede entrañar graves riesgos para la salud, especialmente para la de los niños.

Este producto está diseñado para poder guardarse fuera de temporada. Si vive en una zona templada en la que no va a usar la piscina durante todo el año, le RECOMENDAMOS ENCARECIDAMENTE que vacíe su piscina, la limpie y la seque bien y la almacene en un lugar protegido fuera de temporada. Esto contribuirá a que su piscina dure más tiempo y evitará riesgos para la seguridad cuando dicha piscina no se esté utilizando. Durante la temporada de uso de la piscina, el sistema de filtrado (si procede) se debe poner necesariamente en servicio cada día, durante un tiempo suficientemente largo como para asegurar al menos una renovación completa del volumen de agua.

Para mantener el agua de su piscina limpia y en buenas condiciones de higiene durante toda la temporada, siga cuidadosamente las siguientes recomendaciones:

1. Es necesario utilizar de manera adecuada y sistemática productos químicos básicos para el mantenimiento de un nivel de pH adecuado en el agua de su piscina. Además, la aplicación de productos químicos contribuirá a evitar la proliferación de algas o bacterias dañinas en su piscina, y ayudará a la bomba del filtro a mantener el agua siempre cristalina. Entre otros, su piscina puede necesitar los siguientes productos químicos:

- 1) Cloro sólido, granular o líquido: desinfecta el agua de la piscina e inhibe el crecimiento de algas.
- 2) Productos químicos reguladores del PH: se utilizan para corregir el nivel de PH y

hacer que el agua sea más o menos ácida.

3) Alguicidas: estos productos químicos están pensados para eliminar las algas.

4) Tratamiento de "choque" (supercloración): elimina ciertos compuestos orgánicos y otras combinaciones que pueden enturbiar el agua.

Para obtener información específica sobre el uso de productos químicos, consulte a un distribuidor minorista local de piscinas indicándole el volumen de agua de su piscina y, si lo desea, enviándole una muestra de dicha agua. Esto le permitirá darle instrucciones precisas sobre: 1) qué productos químicos debe adquirir, 2) cuántos productos químicos debe adquirir, y 3) cómo utilizar productos químicos específicos de una manera segura y eficaz.

2. Nunca permita que el cloro entre en contacto con el forro de la piscina hasta que esté completamente disuelto. Esto significa que el cloro granular o sólido debe disolverse en un cubo de agua antes de ser añadido al agua de la piscina y que, del mismo modo, el cloro líquido debe verse lenta y uniformemente en el agua de la piscina desde distintos puntos del perímetro de dicha piscina.

PELIGRO: NUNCA añada agua a los productos químicos. SIEMPRE debe añadir los productos químicos al agua. Por otra parte, nunca debe mezclar productos químicos distintos, sino añadirlos al agua por separado y dejar que lleguen a todos los puntos de la piscina antes de añadir otros productos químicos.

3. Le recomendamos que adquiera un kit de análisis y que analice con frecuencia el agua de su piscina para asegurarse de que los niveles de PH y cloro sean óptimos. Su distribuidor minorista local de piscinas puede ofrecerle información sobre la adquisición y uso del kit de análisis que mejor se adapte a sus necesidades. **NOTA:** Un nivel excesivo de cloro o un nivel bajo (ácido) de pH pueden dañar el forro de su piscina, por lo que debe corregirlos lo antes posible si los análisis revelan cualquiera de estas dos situaciones. Las tareas de eliminación de la suciedad más importante de su piscina y de mantenimiento de la limpieza del interior del forro de la misma se simplifican utilizando un kit de mantenimiento de la piscina Prompt Set, que incluye un utensilio para recoger las hojas y un limpiafondos que funciona con la piscina de su jardín. Los kits de mantenimiento se incluyen como ventaja adicional en los sistemas de piscinas más grandes, y también pueden adquirirse por separado como accesorio. Póngase en contacto con el centro de servicio posventa local si necesita información sobre cualquier reparación durante el período de servicio de la piscina

4. Si procede, revise el cartucho de la bomba del filtro cada dos semanas (o con más frecuencia en los períodos en los que se utilice mucho la piscina) para comprobar si necesita ser limpiado o sustituido. Si el cartucho ya no es blanco, intente limpiarlo con un fuerte chorro de agua de la manguera de su jardín. Si no puede limpiar el cartucho así, debe sustituirlo. Si no limpia o sustituye con frecuencia los cartuchos se resentirá la eficacia de la bomba del filtro, y su vida útil podría reducirse.

5 Si en el sistema de su piscina se incluye una cubierta, intente tener la piscina cubierta siempre que no la esté utilizando. Esto contribuirá a impedir que el viento y otros elementos depositen suciedad y partículas en su piscina, y también evitará que el exceso de agua de lluvia la llene demasiado.

6. Recuerde a sus familiares y amigos que siempre deben eliminar la suciedad o el bronceador lavándose las manos, los pies y el cuerpo antes de entrar en la piscina.

7. Es necesario supervisar los tornillos y elementos físicos de la piscina (en busca de manchas de óxido, por ejemplo) cuando sea posible.

8. Tras llenar su piscina de agua para toda la temporada, compruebe que

no se llene demasiado por el agua de lluvia o por accidente. Si esto sucede, es importante eliminar o achicar el exceso de agua lo antes posible. Si se trata de una piscina en anillo inflable, el nivel de agua nunca debe ser superior al borde inferior del anillo inflable.

9. Independientemente de los materiales que se utilicen para construir la piscina, las superficies accesibles deben controlarse regularmente para evitar las heridas.

8.0 SOLUCIÓN DE PROBLEMAS

Instrucciones para el parche de reparación

(Pequeños agujeros de alfiler y pequeñas fugas pueden repararse con el parche de reparación incluido)

- a) Localice el lugar de la fuga.
 - b) Desinfle el aire
 - c) Limpie el área que rodea la fuga y limpie toda el agua de la superficie.
 - d) Saque el parche de reparación, córtelo en la forma y el tamaño requeridos, que debe ser más grande que el área de la fuga coloque el parche en el área de la fuga y presione con fuerza.
 - e) Espere 30 minutos para que el lugar reparado se seque al aire libre.
- Si el daño es demasiado grande, recomendamos utilizar un pegamento a base de silicona o caucho para repararlo.

Instrucciones para el pegamento de reparación

- 1 Localice el lugar de la fuga.
- 2 Desinfle (si es necesario) y vacíe completamente.
- 3 Limpie el área que rodea la fuga y limpie toda el agua de la superficie.
- 4 Limpie a fondo el área que rodea la fuga. Corte una pieza de material de reparación en forma redonda, que debe ser más grande que la zona dañada.
- 5 Pegando (es necesario comprar adhesivo por separado) un lado del parche del material en el área de reparación. Tenga en cuenta que es necesario aplicar el parche del material de manera uniforme.
- 6 Coloque el parche en el área dañada y presione firmemente. Espere 12 horas para que se seque. Después de que el parche se haya secado, aplique pegamento alrededor de los bordes para un sellado completo (seque durante 4 horas) de almacenamiento en la piscina.

PROBLEMA	DESCRIPCIÓN	CAUSA	SOLUCIÓN
LA PISCINA LLENA NO ES REDONDA	<ul style="list-style-type: none"> • La piscina es ovalada o rectangular, o se parece a un huevo. • La piscina parece inclinarse hacia un lado o la profundidad del agua de la piscina no es uniforme. 	<ul style="list-style-type: none"> • Las arrugas de la parte inferior del forro no se estiraron correctamente antes de llenar la piscina. • Las paredes laterales no se desplegaron correctamente cuando se llenó la piscina, lo que provocó que la circunferencia formada por el aro superior quede por fuera de la formada por las paredes laterales de la piscina. • La piscina está situada sobre una superficie desigual o inclinada. 	<ul style="list-style-type: none"> • Vacíe la piscina hasta que queden solamente unos 2,5 cm (1 pulgada) de agua y, a continuación, estire todas las arrugas que pueda. • Vacíe la piscina hasta que queden solamente unos 2,5 cm (1 pulgada) de agua y, a continuación, despliegue las paredes laterales hasta que queden por fuera de la circunferencia formada por el aro superior. • Asegúrese de que la superficie sobre la que está situada la piscina sea muy plana y lisa y de que no tenga montículos.
EL AGUA TIENE COLOR	<ul style="list-style-type: none"> • El agua se pone de color azul, marrón o negro la primera vez que se trata con cloro. 	<ul style="list-style-type: none"> • El cloro está oxidando ciertos minerales del agua. Esto suele ocurrir con agua de distintos orígenes. 	<ul style="list-style-type: none"> • Regule el pH para que tenga el nivel recomendado. • Filtre el agua hasta que esté limpia. • Limpie el cartucho con regularidad.
HAY PARTÍCULAS FLOTANDO EN EL AGUA	<ul style="list-style-type: none"> • El agua parece leche o está turbia. 	<ul style="list-style-type: none"> • Agua dura originada por un pH elevado. • La cloración no es correcta. • Sustancias extrañas en el agua. • Los bañistas no se lavan los pies antes de entrar en la piscina. 	<ul style="list-style-type: none"> • Regule el pH. Pregunte a un distribuidor minorista de piscinas cuál es la forma correcta de tratar el agua. • Asegúrese de que el nivel de cloro sea el correcto. • Limpie o sustituya el filtro. • Disperse la suciedad con una manguera de alta presión antes de entrar en la piscina.
CONTINUO NIVEL BAJO DE AGUA	<ul style="list-style-type: none"> • La piscina parece perder agua todos los días. 	<ul style="list-style-type: none"> • Rotura u orificio en el forro de la piscina. • Rotura u orificio en una de las mangueras de la bomba del filtro. • Las abrazaderas de las mangueras están demasiado flojas. • Evaporación debida a altas temperaturas en el verano. 	<ul style="list-style-type: none"> • Localice la zona dañada y repárela con el kit de parches incluido. • Repare o sustituya las mangueras. • Apriete todas las abrazaderas de las mangueras. • Mantenga cubierta la piscina cuando no la esté utilizando.
ALGAS	<ul style="list-style-type: none"> • El agua tiene un tono verdoso. • Hay manchas verdes, marrones o negras en el forro de la piscina. • El fondo de la piscina resbala o hay un olor desagradable. 	<ul style="list-style-type: none"> • Hay algas. 	<ul style="list-style-type: none"> • Aplique un tratamiento de choque (supercloración). Compruebe el nivel del pH y régúlelo para que sea el indicado por su distribuidor minorista local de piscinas. • Pase el limpiafondos por el forro de la piscina o fríéguelo con cuidado. • Analice el agua con frecuencia para mantener unos niveles de cloro adecuados.
EL AGUA DE LA PISCINA ESTÁ FRÍA	<ul style="list-style-type: none"> • El agua no alcanza una temperatura agradable para nadar en ella. 	<ul style="list-style-type: none"> • La piscina se ha montado en una zona demasiado sombría o arbolada. • El agua de la piscina pierde calor. 	<ul style="list-style-type: none"> • Coloque la piscina en una zona más abierta, donde pueda tener la mayor exposición al sol posible durante las horas de más luz del día. • Mantenga cubierta la piscina siempre que no la esté utilizando.

9.0 PARTE 9 - GARANTÍA LIMITADA

Si el comprador sustituye, daña o hace un mal uso de alguno de los componentes de esta piscina, la garantía no se aplicará a dichos componentes. En este caso, se le comunicará el coste de las piezas de repuesto y las instrucciones para llevar a cabo el proceso de sustitución.

Si se detecta un defecto de fabricación durante el período indicado, nos comprometemos a reparar o sustituir, según sea el caso, los productos cubiertos por la garantía, siempre y cuando se presente el correspondiente comprobante de compra.

Esta garantía limitada no será válida cuando el producto se utilice con fines comerciales ni cuando el daño se haya producido debido a un accidente, acto de la naturaleza, abuso, abandono o uso incorrecto por parte del comprador, vandalismo, uso inadecuado de productos químicos, exposición a condiciones climáticas extremas o negligencias durante el montaje o desmontaje del producto.

No nos hacemos responsables de los costes de instalación, mano de obra ni transporte derivados de la sustitución de las piezas defectuosas. Además, esta garantía limitada no cubre las modificaciones no autorizadas del producto.

2.0 Introdução

Parabéns por ter adquirido uma Piscina de Superfície da EXIT!

Divirta-se, seja ativo e brinque no exterior...

Isto é o que nos leva a desenvolver brinquedos inovadores e de qualidade para crianças e pais cool. Fazemos todos os possíveis para desenvolver produtos seguros para as crianças. Como os nossos produtos são classificados como brinquedos, estamos em conformidade com os regulamentos de segurança do consumidor mais exigentes. Antes de lançar os nossos produtos no mercado, realizamos testes independentes para certificação. Testamos também de forma contínua as nossas execuções de produção e executamos, periodicamente, testes independentes pela segunda vez como uma verificação adicional. Somente os produtos que atendem aos mais altos padrões da EXIT Toys são marcados e reconhecidos pela marca EXIT. "Queremos agradecer a sua preferência e a sua confiança neste produto. Temos certeza de que os seus filhos se irão divertir tanto como nós durante o desenvolvimento. Tendo a mente aberta, agradecemos verdadeiramente todos os comentários e ideias que nos possam ajudar a melhorar os nossos produtos ou desenvolver novos. Convidamo-lo a enviar as suas ideias para info@exittoys.com" Por favor, visite www.exittoys.com e descubra mais produtos novos interessantes. A Equipa EXIT Toys

3.0 Antes de montar e usar o produto.



AVISO: Para aumentar a diversão na sua piscina e proteger a segurança de quem está no seu interior e à volta da piscina, **OBSERVE SEMPRE ESTRITAMENTE as seguintes instruções de segurança e manutenção:**

AVISO: Para aumentar a diversão na sua piscina e proteger a segurança de quem está no seu interior e à volta da piscina, **OBSERVE SEMPRE ESTRITAMENTE** as seguintes instruções de segurança e manutenção:

- 1). É responsabilidade do proprietário da piscina identificar e obedecer a todas as leis locais e estatais relativas à segurança da piscina de superfície ANTES de a configurar ou usar. Estas incluem, mas não estão limitadas, leis sobre: decks, cercas, barreiras, coberturas, escadas de piscina, iluminação e equipamentos de segurança necessários. Consulte as autoridades locais para garantir a conformidade.
- 2). Não permitir Crianças sem supervisão na piscina. Certifique-se sempre de que pelo menos um adulto responsável está a SUPERVISIONAR todas as Crianças e todos os que não sabem nadar, O TEMPO TODO. Nunca nade/tome banho sozinho na piscina.
- 3). NUNCA permita mergulhos ou saltos na piscina. Nunca entre na piscina utilizando decks ou outras superfícies elevadas. O nível da água na sua piscina é extremamente baixo e não é adequado para estas atividades. O não cumprimento destas instruções pode resultar em ferimentos graves ou até mesmo a morte.
- 4). Não permita que crianças ou adultos se envolvam em qualquer tipo de desportos ou atividades agressivas dentro ou à volta da piscina. O não cumprimento destas diretrizes pode resultar em ferimentos graves para as pessoas no interior e à volta da área da piscina.
- 5). Mantenha sempre o equipamento de segurança da piscina adequado numa área de fácil acesso adjacente à sua piscina. Mantenha à vista os números de telefone de emergência, assim como avisos e regras de segurança (como "Proibido Saltar ou Mergulhar" e "Não Nade Sozinho"). Não permita banhistas na piscina, a menos que a área seja suficientemente clara ou iluminada.
- 6) Todas as filtrações estão de acordo com a norma de instalação NF C 15-100, em que todos os aparelhos elétricos localizados a 3,50 m do reservatório e com acesso livre devem ter uma voltagem baixa de 12V. Todos os aparelhos elétricos alimentados com 220V devem estar localizados a pelo menos 3,50 metros da beira do tanque. Consulte o fabricante para qualquer alteração de um ou vários elementos do sistema de filtragem. (Para o Mercado Francês)
- 7). A segurança dos seus filhos depende de si! O risco é maior quando as crianças têm menos de 5 anos. Os acidentes não acontecem apenas aos outros! Esteja pronto para os enfrentar!

8). Assista e aja: - A supervisão das crianças deve ser próxima e constante; - Designe um responsável pela segurança; - Reforce a vigilância quando houver vários utilizadores na piscina; - Ensine os seus filhos a nadar o mais rápido possível; - Molhe o pescoço, braços e pernas antes de entrar na água; - Aprenda primeiros socorros, especialmente aqueles específicos para crianças; - Proíba mergulhos ou saltos em frente às crianças pequenas; - Proíba corridas e jogos violentos à volta da piscina; - Não permita que uma criança que não saiba nadar ou que não esteja acompanhada, aceda à piscina sem um colete salva-vidas; - Não deixe brinquedos perto da piscina sem vigilância; - Mantenha a água limpa e saudável; - Armazene os produtos de tratamento de água fora do alcance das crianças;

9). Planeie: - Mantenha o telefone perto da piscina, não deixe os seus filhos sozinhos quando estiver ao telefone; - Compre e coloque um telefone perto da piscina;

10). Além disso, alguns dispositivos podem contribuir para a segurança: - Barreira cuja porta será mantida constantemente fechada (por exemplo, uma sebe não pode ser considerada uma barreira de proteção); - Tampa manual ou automática devidamente posicionada e proteção devidamente fixada; - Sensor eletrónico para detetar ou queda do serviço e operacional, mas nunca um substituto para uma supervisão próxima;

11). Acidente: - Retire a criança da água o mais rápido possível; - Peça ajuda imediatamente e siga os conselhos que lhe forem dados; - Substitua as roupas molhadas por cobertores quentes;

12) Guarde e veja o número de primeiros socorros na piscina: - Incêndio: (18 em França); (112 na Europa) - EMS/INEM: (15 em França); (112 na Europa) - Centro de Informação Antivenenos; (112 Europa)

13). Proíba o acesso à piscina em caso de deterioração do filtro do(s) sistema(s);

14). Não submerja;

15). Não ande nas pontas;

16). Aviso: Nunca coloque a piscina vazia ao ar livre.

Previna o afogamento. Aviso

Observe atentamente as crianças que estão dentro ou perto desta piscina. As crianças menores de 5 anos correm um maior risco de afogamento.

Fique longe dos ralos e acessórios de sucção. Aviso

O seu cabelo, corpo e joalheria podem ser arrastados para o ralo. Poderia ficar debaixo de água e afogar-se!

Não mergulhe. Aviso

Pode partir o seu pescoço e ficar paralisado.

4.0 Seleção do local

AVISO: Piscinas instaladas em superfícies niveladas de forma inadequada estão sujeitas a vazamentos, formação de irregularidades ou desabamento, o que pode resultar em danos materiais ou ferimentos graves para as pessoas dentro ou à volta da área da piscina!

AVISO: Não use areia durante o processo de instalação. Se parecer que é necessário usar um nivelador, provavelmente o seu local de instalação não é adequado. O **NÃO CUMPRIMENTO DESTE AVISO PODE RESULTAR EM LESÕES PESSOAIS GRAVES.**

CUIDADO: Escolha a sua área de instalação com cuidado, uma vez que a relva e outra vegetação situada debaixo do oleado (se aplicável) morrerá. Além disso, tente evitar colocar o oleado (se aplicável) em áreas sujeitas a espécies agressivas de plantas e ervas daninhas, pois podem crescer através do oleado (se aplicável).

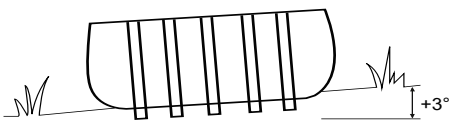
CUIDADO: A piscina deve estar ligada a uma tomada com terra de 110 ou 230 volts protegida por um disjuntor diferencial (GFCI). A piscina não deve ser montada a menos de 10 ft. (304.8cm) da fonte de alimentação, mas não além do comprimento do cabo do sistema de filtragem. Sob nenhuma circunstância deve utilizar uma extensão para aumentar o alcance da conexão.

É absolutamente essencial selecionar um local adequado para a sua piscina **ANTES** de enchê-la com água. Selecione uma área de instalação que esteja estritamente de acordo com as seguintes diretrizes:

Terreno Plano e Nivelado
- CORRETO



Terreno Irregular e Inclinado
- INCORRETO



Guia 1. Certifique-se de que a área é firme, plana (sem saliências ou montes de terra) e extremamente nivelada, com uma inclinação não superior a 3° de declive em qualquer ponto da área de instalação.

Guia 2. Certifique-se de que a área que selecionou para montar a piscina esteja completamente livre de paus, pedras, objetos pontiagudos ou outros detritos estranhos.

Guia 3. Selecione uma área que não esteja diretamente debaixo de cabos elétricos ou árvores. Além disso, certifique-se de que a área de instalação da piscina não contém tubos, linhas ou cabos de qualquer tipo.

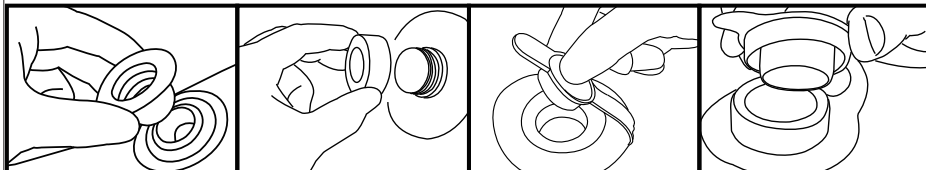
Guia 4. Um oleado ajudará a proteger a lona da piscina contra os danos causados pelo crescimento de ervas daninhas, objetos pontiagudos e detritos.

Guia 5. Se possível, escolha um local aberto na sua propriedade que esteja exposto à luz solar direta. Isto ajudará a aquecer a sua piscina.

5.0 Montar a piscina

IMPORTANTE: Não inicie a montagem se alguma peça estiver em falta. Para peças de substituição, ligue para o número de telefone do Apoio ao Cliente na sua área. O número de pessoas necessárias para a instalação: 2 adultos, no mínimo. Tempo total de instalação, exceto o tempo de preparação do local e enchimento de água: 30 a 45 minutos.

Passo 1. Considere todas as peças. Retire todas as peças da(s) caixa(s) e coloque-as no chão no local onde serão montadas. Verifique cada peça conforme "REFERÊNCIA DA PEÇA" 1.0. Certifique-se de que contabiliza todas as peças a serem montadas.



Passo 2. Instale a tampa das válvulas de drenagem e o tampão. Certifique-se de que a tampa de drenagem externa está inserida no tampão de drenagem externo e que a tampa da válvula de drenagem está bem aparafusada. Tape os orifícios de conexão com os tampões. (A tampa de drenagem exterior muda de acordo com os diferentes tamanhos da piscina.)

Passo 3. Instale as traves horizontais

Deslize as traves combinadas dentro da manga, o orifício das traves deve estar voltado para fora

Passo 4. Instale as juntas em T e a estrutura

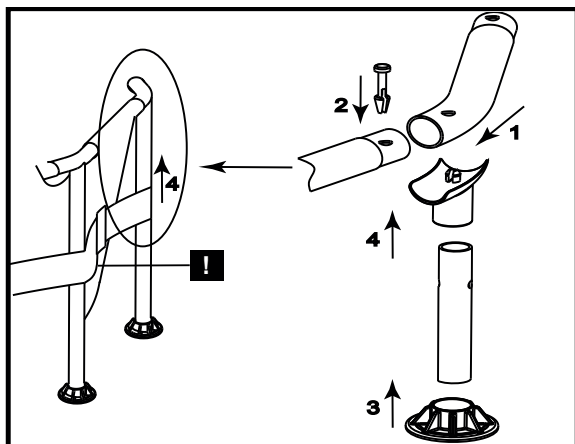
4.1. Use a extremidade de conexão da junta em T para conectar os tubos horizontais adjacentes.

4.2. Insira o Pino no orifício dos tubos conectados

4.3. Instale a tampa da perna vertical na perna vertical.

4.4. Insira a perna vertical na junta em T através da correia.





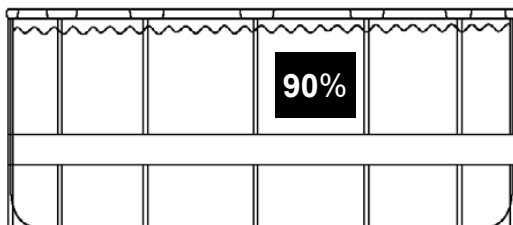
Etapa 5. Encha a piscina **ATENÇÃO:** Não deixe a piscina sem vigilância durante o enchimento com água.

AVISO: Se se acumular mais de 3 ~ 5 cm de água em qualquer parte da piscina antes de começar a encher o centro. A piscina não está nivelada o suficiente e deve ser corrigida! Deve retirar o tampão de drenagem, libertar a água completamente, desmontar a piscina completamente, posicionar a piscina numa superfície plana e repetir as instruções de montagem.

AVISO: NÃO ENCHA EM EXCESSO, pois pode causar o colapso da piscina. Em épocas de chuvas fortes, pode ser necessário esvaziar um pouco da água para garantir que o nível esteja correto.

5.1. Certifique-se de que o encaixe de drenagem está conectado com segurança e que a tampa está no lugar. Comece a encher a piscina com água. Depois de ter cerca de 3 cm de água estiver no fundo, pare de encher e alise as rugas do fundo da piscina. Puxe a parede externa para fora da borda superior, ao redor do fundo da piscina, para que se encha uniformemente

5.2. Continue a encher a piscina até ao nível da água.



6.0 Desmontagem e armazenamento

ISO: Não deixe os seus filhos ficarem de pé e de frente para a saída de água durante a drenagem. A corrente de água pode arrastar os seus filhos.

ATENÇÃO: A piscina deve ser armazenada em locais frescos e secos, sem objetos pontiagudos ao redor ou objetos pesados por cima, que podem causar danos à piscina.

Passo 1. Se tiver uma bomba de filtro, certifique-se de que a fonte de eletricidade para a bomba de filtro foi desconectada.

Passo 2. Verifique se a tampa de drenagem de saída está inserida firmemente no interior da piscina.

Passo 3. Conecte a sua mangueira de jardim ao conector da válvula de drenagem e coloque a outra extremidade da mangueira numa área onde a água possa escoar com segurança, como uma sarjeta ou grelha de escoamento. Lembre-se de que, como a água encontra sempre o seu próprio nível, o fim da mangueira deve ter uma elevação mais baixa do que a piscina para garantir a drenagem completa.

Passo 4. Se tiver uma bomba de filtro, insira o tampão nas fixações de entrada e saída, dentro da piscina, e depois desconecte as mangueiras da bomba de filtro.

Passo 5. Prenda o conector da válvula de drenagem à saída do tubo ao girar o conector no sentido do relógio.

Passo 6. Abra o tampão de drenagem no interior da piscina e a água começará a escoar imediatamente.

Passo 7. Desconete a mangueira e o conector da válvula de drenagem quando terminar.

Passo 8. Substitua o tampão de drenagem exterior na parte de dentro da piscina.

Passo 9. Certifique-se de que a lona da piscina está completamente seco antes de dobrar a piscina para um armazenamento a longo prazo. Deixar a piscina exposta ao sol durante algumas horas limpará e agilizará o processo de secagem e tornará mais fácil dobrar a piscina para armazenamento. (Nunca tente dobrar ou guardar uma piscina que não esteja completamente seca, pois pode causar um aumento de mofo de 90% ou acumulação de mofo durante o tempo em que a piscina estiver armazenada.)

Passo 10. Lembre-se, o armazenamento adequado na temporada baixa é fundamental para proteger o seu investimento na sua piscina. (Especialmente no inverno) Após escoar e secar, a sua piscina deve ser cuidadosamente dobrada e embrulhada num oleado (se disponível) ou outro tipo de lona de proteção semelhante. A piscina e todos os acessórios aplicáveis, como a bomba, a cobertura, o oleado, a escada, mangueiras, abraçadeiras e ferragens devem ser mantidos juntos e armazenados dentro de casa, num local razoavelmente quente, seco e à prova de intempéries.

6.1 Instruções de dobragem

Antes de dobrar, é melhor secar todas as partes e a piscina completamente, deixando-as ao sol durante uma hora ou mais. (PIC 1). De seguida, espalhe um pouco de pó de talco para evitar que o vinil se cole.

Passo 1. Por favor, dobre os lados salientes para dentro para obter uma forma retangular. (PIC 2)

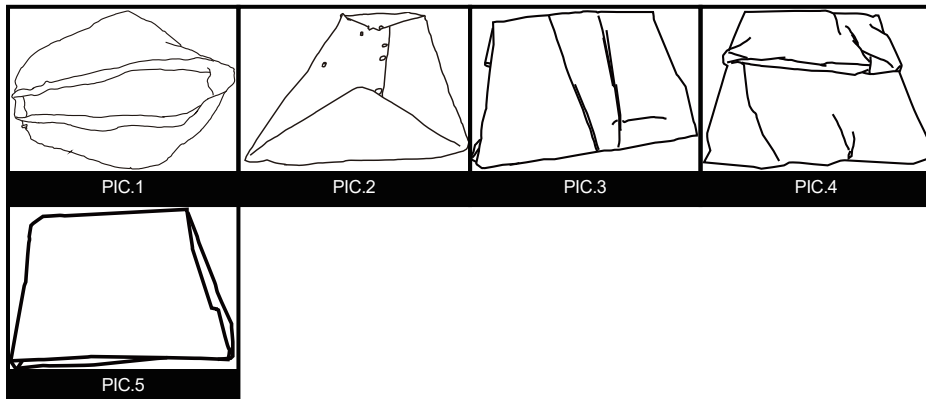
Passo 2. Dobre cada metade do retângulo para obter um retângulo menor. (PIC3)

Passo 3. Dobre cada extremidade para trás. (PIC 4)

Passo 4. Dobre as pontas restantes para criar um retângulo definitivo. (PIC 5)

DICAS 1. Remova o ar no interior para que a piscina dobrada fique fina e plana durante cada dobra.

DICAS 2. A embalagem original pode ser usada para armazenamento.



7.0 Manutenção e cuidados da piscina durante a temporada

AVISO: Se aplicável, a bomba de filtro incluída com a sua piscina foi projetada para remover a sujidade e outras partículas pequenas da água da sua piscina. No entanto, para manter a água da piscina perfeitamente límpida, livre de algas e protegida de bactérias nocivas, é **MUITO IMPORTANTE EFETUAR UM TRATAMENTO QUÍMICO REGULARMENTE**. Entre em contacto com o revendedor local de materiais para piscinas para obter orientação sobre o uso seguro e eficaz do cloro, choque, algicida e outros produtos químicos semelhantes.

AVISO: Para evitar irritações na pele e nos olhos ou mesmo lesões nos banhistas, nunca adicione produtos químicos à piscina enquanto estiver ocupada. Nunca adicione quaisquer produtos químicos ou substâncias à sua piscina se não puder verificar a quantidade ou tipo exato a adicionar à água. Consulte um revendedor de materiais para piscinas para obter instruções e orientações específicas sobre o uso de produtos químicos na sua piscina.



AVISO: É altamente recomendável que os proprietários de piscinas testem frequentemente a água da piscina para garantir que o pH e a concentração de cloro na água sejam ideais para um banho seguro e agradável durante toda a temporada. Consulte o seu revendedor de materiais para piscinas para encontrar um kit de teste adequado e instruções sobre a sua utilização.

AVISO: O desrespeito das regras de manutenção pode resultar em sérios riscos para a saúde e especialmente para as crianças.

Este produto foi projetado para serem piscinas armazenadas, de temporada. Se mora numa área de clima temperado, na qual a piscina não será usada o ano todo, é **FORTEMENTE RECOMENDADO** que escoe a sua piscina, a limpe e seque bem e a guarde numa área protegida durante o período de temporada baixa. Isto irá ajudar a prolongar a vida útil da sua piscina e evitar que se desenvolva um risco de segurança enquanto a piscina não estiver a ser usada. Durante a temporada de uso do kit de piscina, o sistema de filtragem (se aplicável) deve ser colocado a trabalhar todos os dias, o tempo suficiente para garantir pelo menos uma renovação completa do volume da água.

De forma a manter a água da piscina limpa e higiénica durante toda a temporada, siga rigorosamente as seguintes diretrizes:

1. O uso adequado e consistente de produtos químicos básicos da piscina é necessário para manter o equilíbrio do pH adequado na água da piscina. Além disso, a aplicação de produtos químicos ajudará a prevenir o crescimento de bactérias ou algas nocivas na sua piscina e ajudará a sua bomba de filtro a manter a sua água cristalina. Os produtos químicos que a sua piscina pode exigir incluem, mas não estão limitados a:

- 1) Cloro atómico, granulado ou líquido: desinfeta a água da piscina e inibe o crescimento de algas.
 - 2) Produtos Químicos de Ajuste do pH: são usados para corrigir o nível de pH e tornar a água mais ou menos ácida.
 - 3) Algicidas: Estes produtos químicos estão formulados para remover as algas.
 - 4) "Choque" (Super cloro): Elimina certos compostos orgânicos e outras combinações que podem afetar a clareza da água. Para obter detalhes específicos sobre o uso de produtos químicos, consulte um revendedor local de materiais para piscinas e indique o volume de água da sua piscina específica e, se desejar, uma amostra da água da sua piscina. Isto permitirá que o instruem adequadamente sobre: 1) quais os produtos químicos a comprar, 2) quais as quantidades de produtos químicos a comprar e 3) como usar os produtos químicos específicos com segurança e eficácia.
- 15 MSP-30103-V02

2. Nunca deixe o cloro entrar em contacto direto com a lona da piscina até que esteja completamente dissolvido. Isto significa que o cloro granular ou atómico é primeiro dissolvido num balde de água antes de ser aplicado na água da piscina e, da mesma forma, o cloro líquido é derramado lenta e uniformemente na água da piscina de várias localizações à volta do perímetro da piscina.

PERIGO: NUNCA adicione água aos químicos. EM VEZ DISSO, adicione sempre os químicos à água. Além disso, nunca misture produtos químicos separados, em vez disso, adicione produtos químicos à piscina separadamente e deixe-os circular por

toda a piscina antes de adicionar outros tipos de produtos químicos.

3. Recomendamos que adquira um kit de teste e teste frequentemente a água da sua piscina para se certificar de que o equilíbrio do seu pH e os níveis de cloro são ideais. O seu revendedor local de materiais para piscinas pode fornecer informações sobre a compra e o uso de um kit de teste mais adequado às suas necessidades. NOTA: Níveis excessivos de cloro ou baixos níveis de pH (ácido) podem danificar a lona da piscina, portanto, tome medidas corretivas o mais rápido possível se o teste revelar alguma das condições. A tarefa de remover os detritos maiores da sua piscina e manter o interior da lona da piscina limpo são simplificadas ao tomar uma ação corretiva o mais rápido possível, se o teste revelar qualquer uma das condições. Incluído como um artigo bônus nos sistemas de piscina maiores, e também pode ser adquirido separadamente como um acessório. Entre em contacto com o serviço pós-venda local se desejar obter conselhos sobre qualquer reparação durante a vida útil do kit de piscina.

4. Se aplicável, verifique o cartucho da bomba do filtro a cada duas semanas (ou com mais frequência durante os períodos de uso intenso) para verificar se precisa ser limpo ou substituído. Se o cartucho já não for branco, tente limpá-lo com um jato forte de água da mangueira de jardim. Se o cartucho não puder ser limpo dessa forma, deverá ser substituído. Deixar de limpar e/ou substituir os cartuchos com frequência afetará a eficácia da bomba do filtro e pode encurtar a sua vida útil.

5. Se o seu sistema de piscina inclui uma cobertura, tente mantê-la coberta o tempo todo quando não estiver a ser usada. Isto ajudará a evitar que o vento e outros elementos depositem sujidade e detritos na sua piscina e impedirá também que o excesso de água da chuva encha a sua piscina demasiado

6. Relembre a sua família e amigos para que usem sempre a mangueira ou enxaguem toda a sujidade ou óleo bronzeador das mãos, pés e corpo antes de entrar na piscina.

7. É necessário monitorizar os parafusos e as ferragens da piscina (por exemplo, por ferrugem) sempre que possível.

8. Assim que a sua piscina estiver cheia de água para o início de temporada, observe se fica demasiado cheia devido à água da chuva ou acidentalmente. Se isso ocorrer, é importante escoar o excesso de água o mais rápido possível. Se for uma piscina insuflável, o nível da água nunca deve ser superior à borda inferior do anel insuflável.

8.0 Resolução de problemas

PROBLEMA	DESCRIÇÃO	CAUSA	SOLUÇÃO
ÁGUA COLORIDA	<ul style="list-style-type: none"> A água fica azul, castanha ou preta quando tratada pela primeira vez com cloro. 	<ul style="list-style-type: none"> O cloro está a oxidar os minerais na sua água. Isto geralmente ocorre com água proveniente de diferentes fontes 	<ul style="list-style-type: none"> Ajuste o pH para o nível recomendado. Execute o filtro até que a água esteja limpa. Limpe o cartucho regularmente.
	PARTÍCULAS SUSPENSAS NA ÁGUA	<ul style="list-style-type: none"> A água parece "leitosa" ou turva 	<ul style="list-style-type: none"> "Água Dura" causada por um pH elevado. A cloragem é inadequada. Detritos estranhos na água. Os banhistas não estão a limpar os pés antes de entrar na piscina.
NÍVEL DE ÁGUA BAIXO PERSISTENTE	A piscina parece estar a perder água diariamente.	<ul style="list-style-type: none"> Rasgo ou furo na lona da piscina. Rasgo ou furo na mangueira da bomba do filtro. As abraçadeiras da mangueira estão muito soltas. Evaporação das altas temperaturas do verão. 	<ul style="list-style-type: none"> Localize os danos e repare com o kit de remendo incluído. Repare ou substitua as mangueiras. Aperte todas as abraçadeiras da mangueira. Mantenha a piscina coberta quando não estiver a ser usada.
ALGAS	<ul style="list-style-type: none"> A água tem uma tonalidade esverdeada. 	<ul style="list-style-type: none"> As algas estão presentes. 	<ul style="list-style-type: none"> Aplique o tratamento de "choque" (super cloro). Verifique o pH e ajuste o mesmo até um nível apropriado de acordo com o revendedor local de materiais para piscinas.
	<ul style="list-style-type: none"> Manchas verdes, castanhas ou pretas aparecem na lona da piscina. O fundo da piscina está escorregadio e/ou apresenta um odor desagradável. 		<ul style="list-style-type: none"> Aspire ou esfregue suavemente a lona da piscina. Teste a água com frequência para manter os níveis de cloro adequados
A ÁGUA DA PISCINA ESTÁ FRIA	<ul style="list-style-type: none"> A água não está a aquecer a uma temperatura confortável para nadar 	<ul style="list-style-type: none"> A piscina foi instalada numa área com sombra e árvores excessivas. O calor está a sair da água da piscina. 	<ul style="list-style-type: none"> Mude a piscina para um local mais aberto, onde possa obter uma exposição máxima à luz do sol durante as horas de pico de luz do dia. Mantenha a sua piscina coberta sempre que não estiver a ser usada.

9.0 Garantia limitada

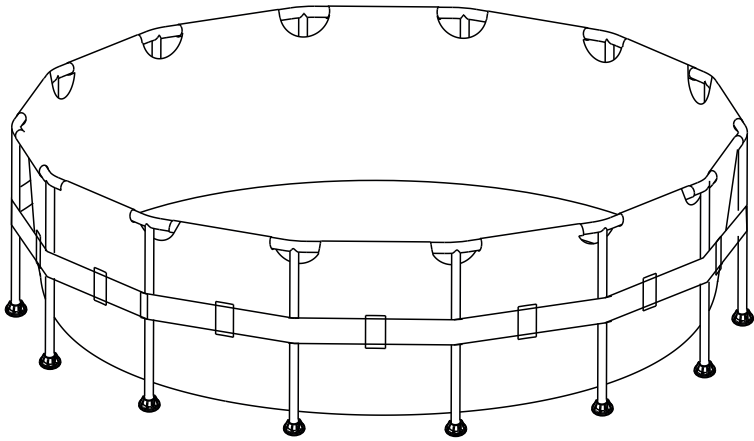
Garantimos todos os componentes contidos neste conjunto de Piscina (excluindo a unidade de bomba de filtro) contra defeitos de materiais e mão de obra sob uso e serviço normais, por um período de 90 dias a partir da data de compra, apenas ao proprietário original.

Se qualquer um dos componentes tiver sido substituído pelo consumidor, danificado ou usado incorretamente, a garantia correspondente a esses componentes não será válida. Nesta situação, será informado sobre o custo das peças de substituição e instruções de processamento.

Se for encontrado um defeito de fabrico durante o período de tempo relevante, concordamos em substituir, a seu critério, qualquer produto sob garantia, desde que seja apresentada a prova de compra adequada.

Esta garantia limitada não é válida se o produto for usado para fins comerciais ou se o dano for causado por acidente, uso indevido do consumidor, negligência ou abuso, vandalismo, uso impróprio de produtos químicos, exposição a condições climáticas extremas ou negligência durante a configuração do produto ou desmontagem.

Não podemos ser responsabilizados pelo custo de instalação, mão de obra ou despesas de transporte incorridas devido à substituição de peças defeituosas. Além disso, esta garantia limitada, não cobre quaisquer alterações não autorizadas no produto.



Contact:
Dutch Toys Group
Edisonstraat 83, 7006RB, Doetinchem , the Netherlands
P.O. Box 369, 7000AJ, Doetinchem, the Netherlands

info@exittoys.com
www.exittoys.com

EXIT is a registered trade mark of Dutch Toys Group