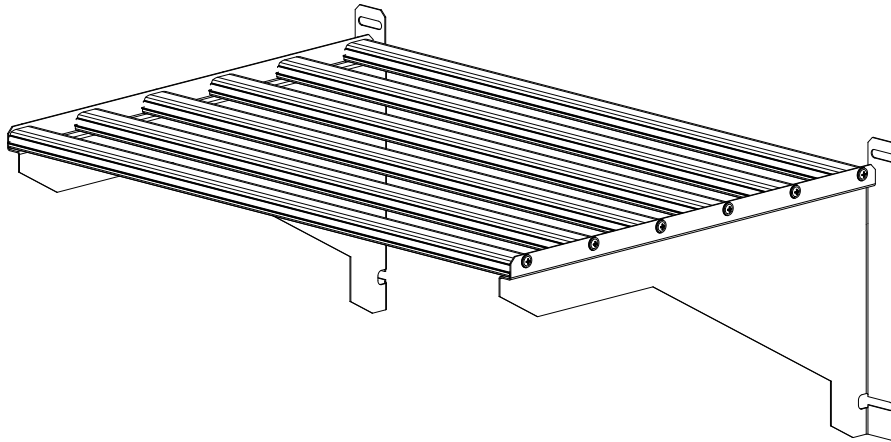




Assembly Instructions

Heavy Duty Shelf Kit

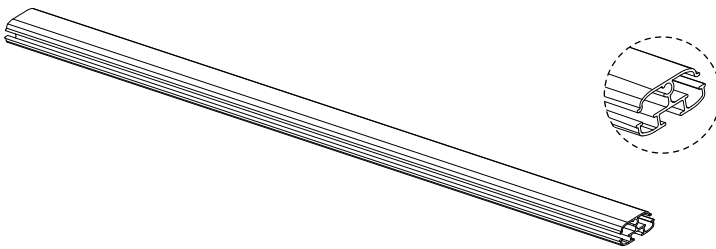
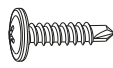
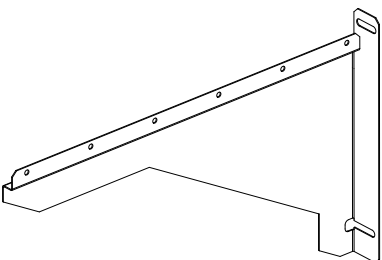
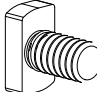
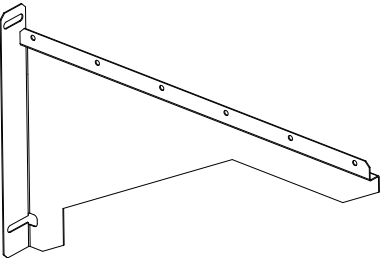

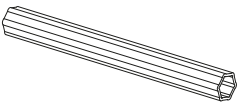

Languages_72369



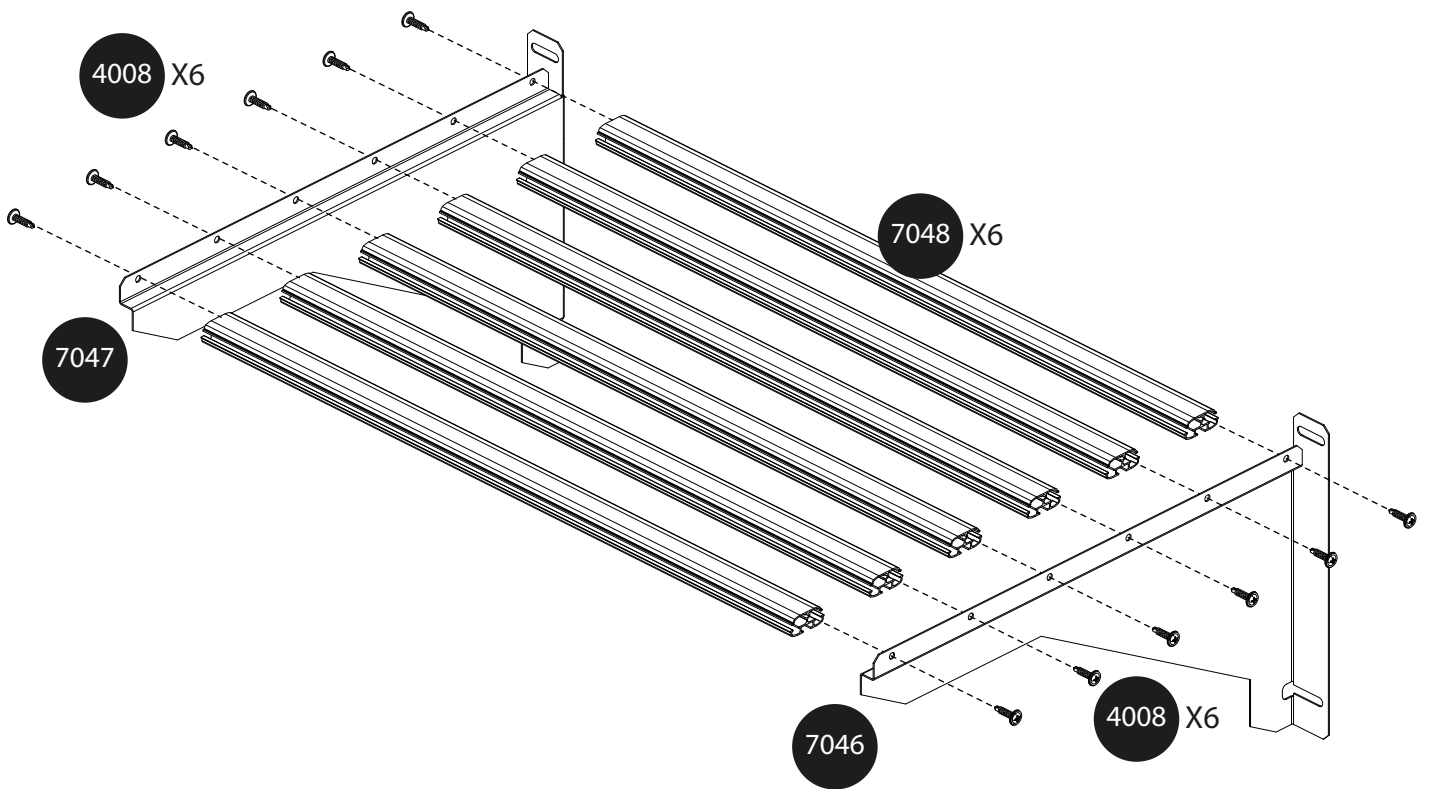
www.palramapplications.com

7 290103 110727 >

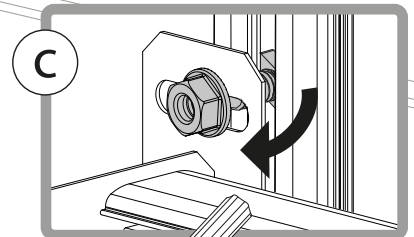
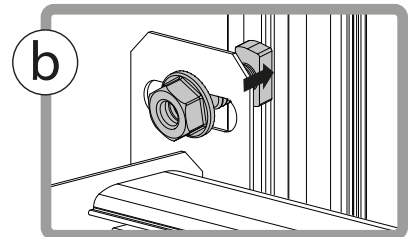
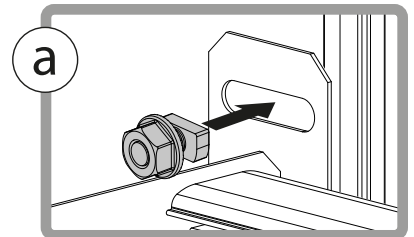
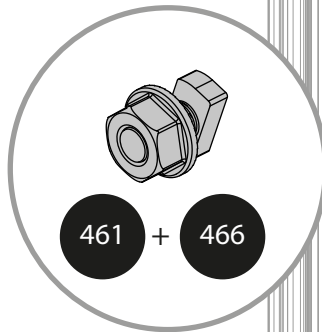
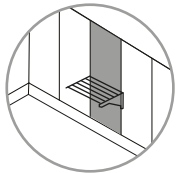
Contents

Item	Qty.	Item	Qty.
7048	6	4008	12 (+1)
			
7046	1	461	4 (+1)
			
7047	1	466	4 (+1)
			
		T001	1
			
		70	3
			

1

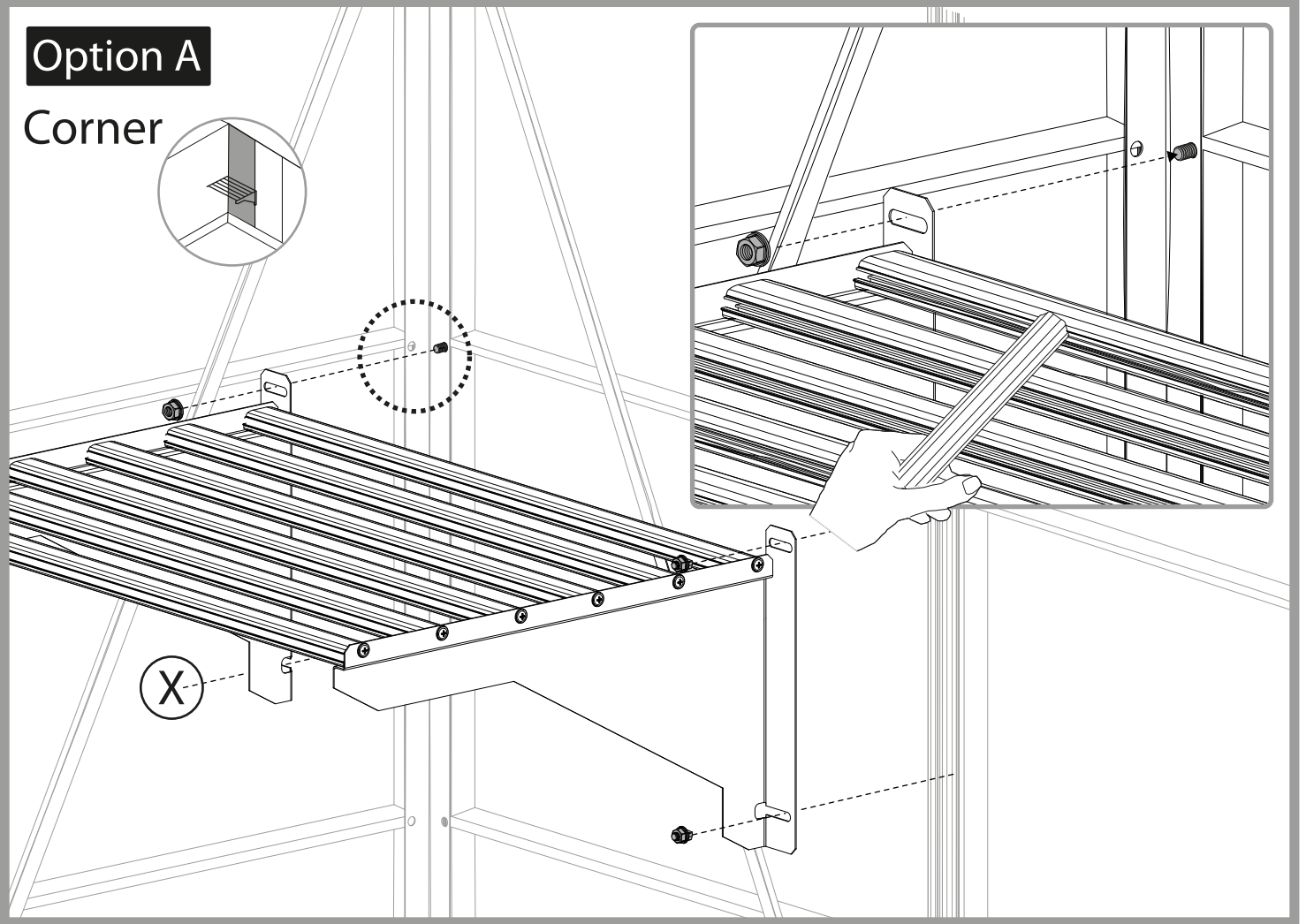


2



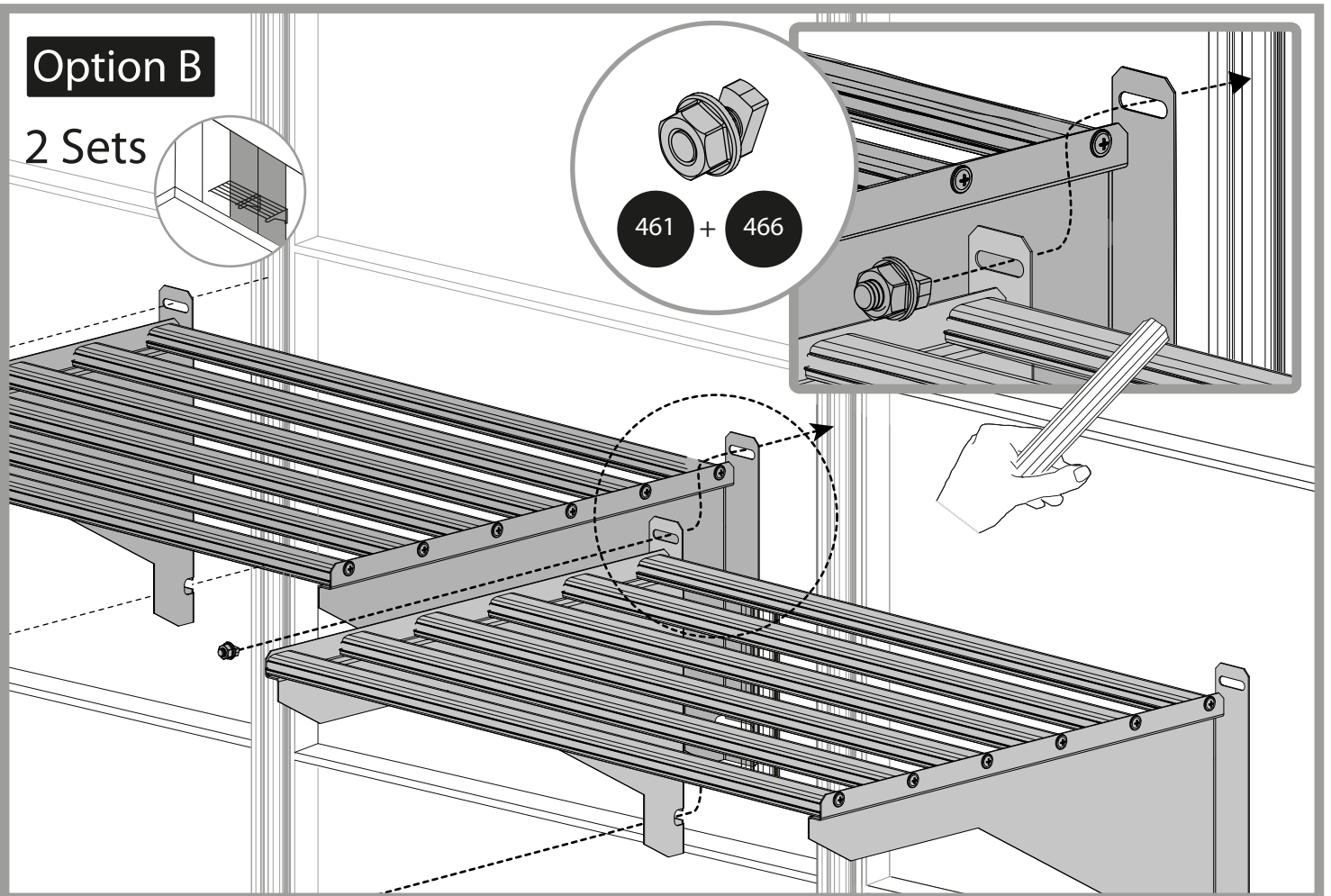
Option A

Corner



Option B

2 Sets



Option C

