

# 4.05m x 3.3m (13' x 11') WOOD ROOM w/LOUVERED ROOF

## Installation and Operating Instructions – YM12974X



IMPORTANT, RETAIN FOR FUTURE REFERENCE: READ CAREFULLY

HEIGHT:  
2.5m / 8'3"

*Furniture sold separately*

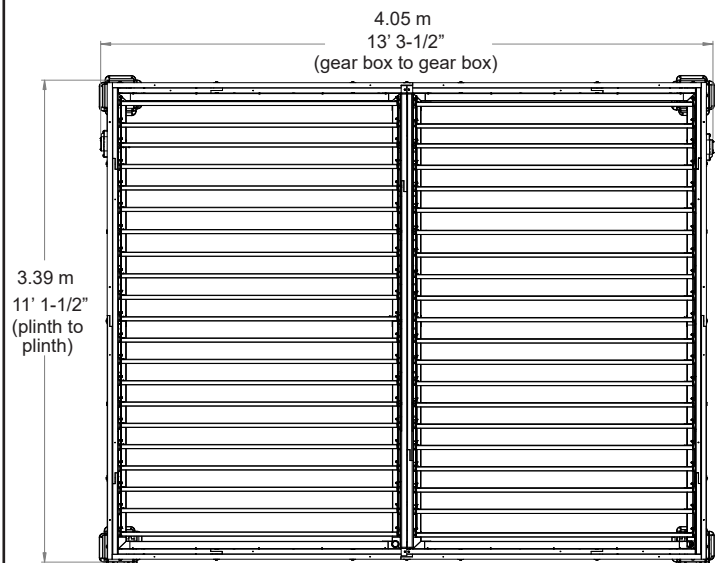
Revised 11-29-2020

# YARDISTRY®

Yardistry – North America  
Toll Free Customer Support:  
1.888.509.4382  
info@yardistrystructures.com  
www.yardistrystructures.com

Regular Hours: Mon - Fri, 8:30 am - 5:00  
pm EST (excl. holidays)  
(For extended hours see our website)  
English and French Spoken

Patents Pending



## **Important Safety Notice!**

Yardistry components are intended for privacy, decorative and ornamental use only.

### **Product is NOT INTENDED for the following:**

- A safety barrier to prevent unsupervised access to pools, hot tubs, spas or ponds.
- As load bearing support for a building, structure, heavy objects or swings.
- Used in structures that trap wind, rain or snow that would create extra load on the product.

**IMPORTANT!** When preparing for high winds and/or winter conditions, turn the louvers to the open position (upright) then attach the Lock Out and Quick Link (Page 58). This will prevent the structure from blowing over due to high winds and the louvers from breaking due to snow and ice loads. Any accumulated snow must be removed from roof.

**DO NOT** climb or walk on roof for any reason.

**Permanent structures may require a building permit.** As the purchaser and or installer of this product you are advised to consult local planning, zoning and building inspection departments for guidance on applicable building codes and/or zoning requirements.

**Wood is NOT flame retardant and will burn.** Grills, fire pits and chimineas are a fire hazard if placed too close to a Yardistry structure. Consult user's manual of the grill, fire pit or chiminea for safe distances from combustible materials.

**Wear gloves to avoid injury** from possible sharp edges of individual elements before assembly.

**During installation, follow all safety warnings provided with your tools and use OSHA approved safety glasses.** Some structures may require two or more people to install safely.

**Check for underground utilities before digging or driving stakes into the ground!**

**During assembly it is important to closely follow the instructions.** Complete the assembly on a solid, level surface and follow the instructions to square up, level and anchor the structure. This will reduce the gaps at wood connections during assembly.

## **General Information**

**General Information:** Wood components are manufactured with Cedar (C. Lanceolata) which is protected with factory applied water-based stain. Knots, small checks (cracks) and weathering are naturally occurring and do not affect the strength of the product. Annual application of a water-based water repellent sealant or stain is important and will help reduce weathering and checks.

**[www.yardistrystructures.com](http://www.yardistrystructures.com)**

Questions?

Call toll free or write us at:  
1 (888) 509-4382  
[support@yardistrystructures.com](mailto:support@yardistrystructures.com)

Regular Hours: Mon - Fri, 8:30 am - 5:00 pm EST  
(excl. holidays)  
(For extended hours see our website)

English and French Spoken

Patents Pending

# Limited Warranty

Yardistry warrants that this product is free from defect in materials and workmanship for a period of one (1) year from the original date of purchase. In addition, for any product with lumber, all lumber is warranted for five (5) years against rot and decay. This warranty applies to the original owner and registrant and is non-transferable.

Regular maintenance is required to assure the integrity of your product and is a requirement of the warranty. This warranty does not cover any inspection costs.

## **This Limited Warranty does not cover:**

- Labour for replacement of any defective item(s);
- Incidental or consequential damages;
- Cosmetic defects which do not affect performance or integrity;
- Vandalism; improper use or installation; acts of nature, including but not limited to wind, storms, hail, floods, excessive water exposure;
- Minor twisting, warping, checking or any other natural occurring properties of wood that do not affect performance or integrity.

Yardistry products have been designed for safety and quality. Any modifications made to the original product could damage the structural integrity of the product leading to failure and possible injury. Yardistry cannot assume any responsibility for modified products. Furthermore, modification voids any and all warranties.

**This product is warranted for RESIDENTIAL USE ONLY. Yardistry disclaims all other representations and warranties of any kind, express or implied.**

*This Warranty gives you specific legal rights. You may have other rights as well which vary from state to state or province to province. This warranty excludes all consequential damages, however, some states/provinces do not allow the limitation or exclusion of consequential damages, and therefore this limitation may not apply to you.*

# Instructions for Proper Maintenance

Your Yardistry structure is designed and constructed of quality materials. As with all outdoor products it will weather and wear. To maximize the enjoyment, safety and life of your structure it is important that you, the owner, properly maintain it.

## HARDWARE:

- Check metal parts for rust. If found, sand and repaint using a non-lead paint complying with 16 CFR 1303.
- Inspect and tighten all hardware after completion of assembly; after first month of use; and then annually. Do not over-tighten as to cause crushing and splintering of wood.
- Check for sharp edges or protruding screw threads, add washers if required.

## WOOD PARTS:

- Applying a water repellent or stain (water-based) on a yearly basis is important maintenance to maintain maximum life and performance of the product.
- Check all wood members for deterioration, structural damage and splintering. Sand down splinters and replace deteriorated wood members. As with all wood, some checking and small cracks in grain is normal
- Some gapping may occur at some wood connections.

## Assembly Guides

### Tools Required:

- |                              |                  |                       |
|------------------------------|------------------|-----------------------|
| • Tape Measure               | • Hard Hat       | • 6' Step Ladder x 3  |
| • Carpenters Level           | • Safety Glasses | • Square              |
| • Standard or Cordless Drill | • Adult Helper   | • Ratchet             |
| • Claw Hammer                | • Safety Gloves  | • 7/16" & 1/2" Socket |
| • 7/16" & 1/2" Wrench        |                  |                       |

### Symbols:

Throughout these instructions symbols are provided in the top, right-hand corner of the page.



- Use Help, where this is shown, 2, 3 or 4 people are required to safely complete this step. To avoid injury or damage to the assembly make sure to get some help.



- Use a measuring tape to assure proper location



- Pre-drill a pilot hole before fastening screw or lag to prevent splitting of wood.

**If you dispose of your Yardistry structure:** Please disassemble and dispose of your unit so that it does not create any unreasonable hazards at the time it is discarded. Be sure to follow your local waste ordinances.

## Assembly Tips

Following are some helpful tips to make the assembly process smooth and efficient.

### PRE-ASSEMBLIES:

(i.e. Post and Beam Assemblies, Roof Rafter Assembly, etc)

- Work on a raised, solid and flat surface such as, a table or saw horse.
- Keep all connections flush where shown in the instructions.
- When assembling the beams keep parts flat, straight and snug when connecting.

### METAL PARTS:

- Louvered material may have sharp edges, wear safety gloves.
- Place louvered material on a non-abrasive surface before and after assembly as it can bend, dent and scratch easily.

### WINTER AND HIGH WIND PREPARATION:

- Turn the louvers to the open position (upright) then attach the Lock Out and Quick Link (Page 62). This will prevent the structure from being blown over due to high winds and the louvers from breaking due to snow and ice loads.
- Any accumulated snow must be removed from roof.

# Sealant Application Tips, Warning and First Aid Information

## **SEALANT:**

- All surfaces to be clean, dry, dust and grease free before application with temperatures above 5°C (41°F), no warmer than 35°C (95°F).
- Remove cap and cut a small piece off the nozzle for a small bead.
- Apply sealant in small beads and smooth as required.
- To smooth sealant into the joint use a glove covered finger, putty knife, etc. Smooth sealant to create a continuous water-tight seal, diverting water into the gutter with an unimpeded flow into the gutter drain corner.
- Clean excess with a cloth or paper towel before it skins over.
- An initial bond will set in approximately 20 minutes and fully set in 24 hours.

## **WARNING:**

- **CAUSES SERIOUS EYE AND SKIN IRRITATION.** Always wear safety glasses and rubber gloves when using product.
- **KEEP OUT OF REACH OF CHILDREN.**
- Prolonged or repeated exposure **MAY CAUSE ORGAN DAMAGE.** Provide ample ventilation.

## **FIRST AID:**

- If ingested, **DO NOT INDUCE VOMITING.** Seek immediate medical attention.
- Eye contact: immediately flush eyes with water for at least 15 minutes. Remove contact lenses if present.
- Skin contact; wash thoroughly with soap and water. If eye/skin irritation persists or respiratory symptoms occur or develop, seek medical attention.

Use of this product can expose you to chemicals including Methanol, which is known to the State of California to cause birth defects and other reproductive harm. For more information, go to [www.P65Warnings.ca.gov](http://www.P65Warnings.ca.gov).

Dispose of contents and container in accordance with local regulations.

# Permanent Installation Examples

**Note: It is critically important you start with square, solid and level footings, concrete pad or deck to attach your Room.**

We supply Post Mounts with this structure which gives you the flexibility to permanently install your structure to a pre-existing or new wood or concrete surface.

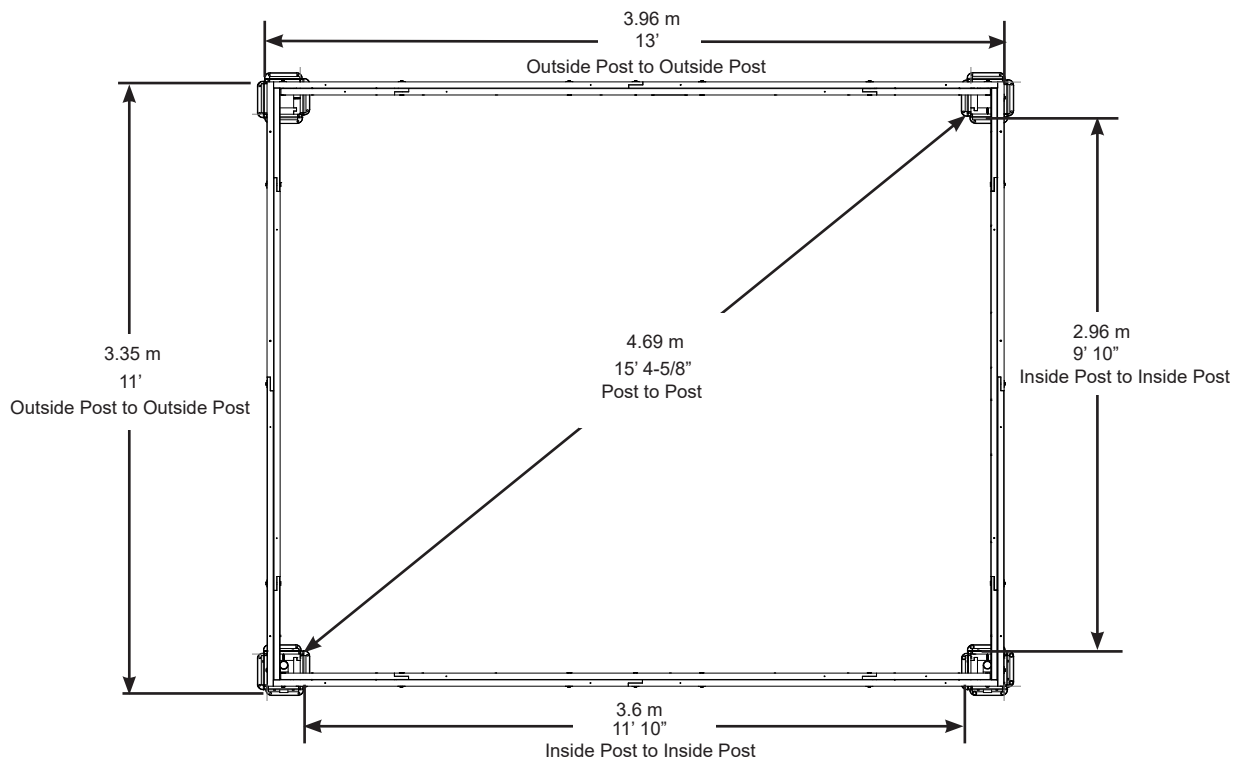
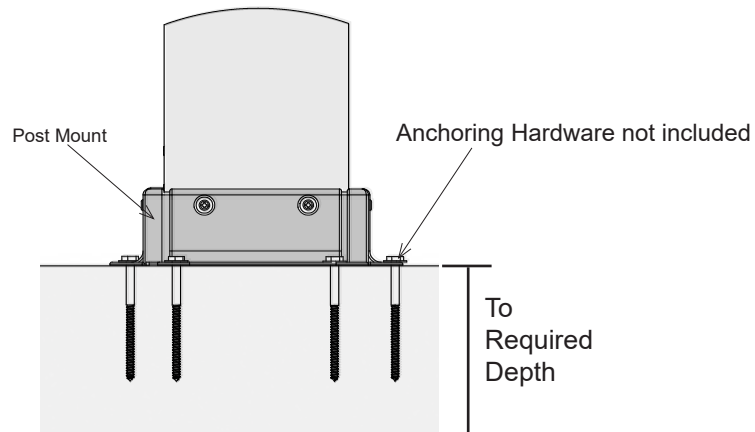
- The hardware to attach the Post Mount to the structure is included.
- The hardware to mount the structure permanently will need to be purchased separately at your local hardware store.

If you are mounting to concrete footers see below for the correct locations and placement. Please double check for possibility of any underground utilities such as gas, telephone, cable or sprinkler lines.

Following are some examples of how to mount the structure to wood or concrete surfaces.

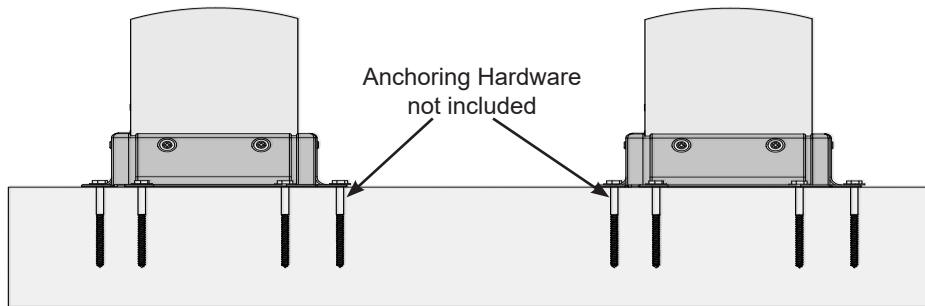
Refer to your local building and city codes, ordinances, neighbourhood covenants, or height restrictions regarding this type of structure for guidance on acceptable installation requirements.

## Concrete Footer

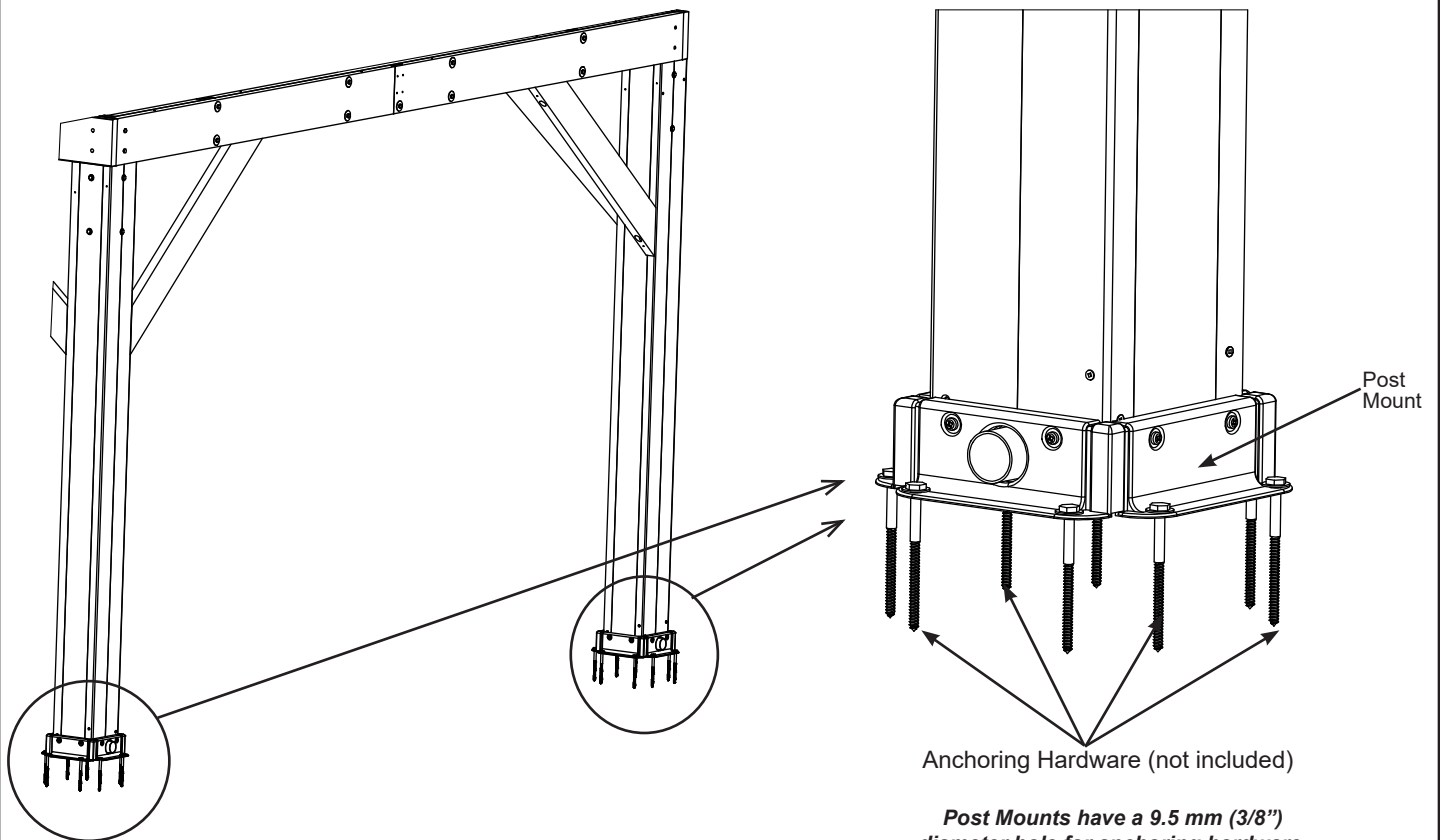
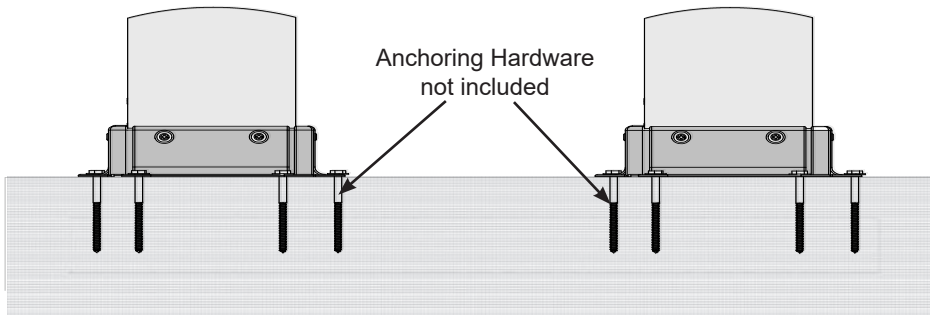


## Permanent Installation Examples cont.

Concrete Patio [min. 4.267 m x 3.658 m (14' x 12')] with 15.24 cm (6") clearance on all sides



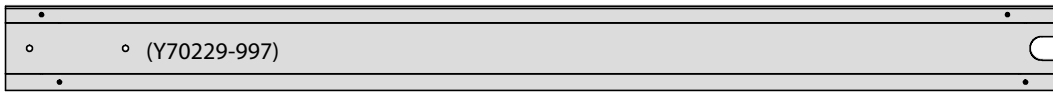
Wood Deck [min. 4.267 m x 3.658 m (14' x 12')] with 15.24 cm (6") clearance on all sides





# Part Identification ( Dimensions are approximate and are shown to assist in the identification of parts for ) assembly. Actual dimensions may be smaller or larger.

1pc. (997) - Right Drain Post 2235.2mm (88") FSC



1pc. (998) - Left Drain Post 2235.2mm (88") FSC



2pc. (962) - Post 2235.2mm (88") FSC



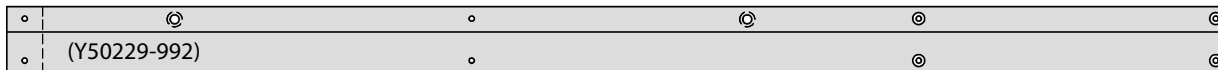
8pc. (996) - Gusset 1130.3mm (44½") FSC



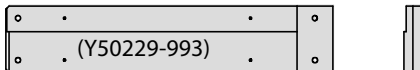
1pc. (991) - Middle Long Beam A 2584.4mm (101¾") FSC



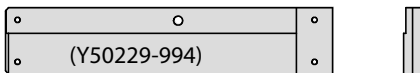
1pc. (992) - Middle Long Beam 2584.4mm (101¾") FSC



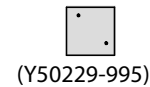
1pc. (993) - Middle Short Beam A 692.2mm (27¼") FSC



1pc. (994) - Middle Short Beam 692.2mm (27¼") FSC



2pc. (995) - Post Block 101.6mm (4") FSC



2pc. (976) - Short Beam Centre 2289.1mm (90-1/8") FSC



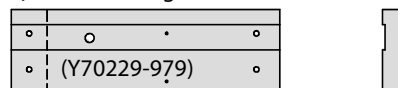
2pc. (988) - Short Beam RT 1714.5mm (67½") FSC



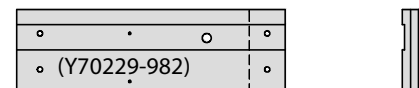
2pc. (985) - Short Beam LT 1714.5mm (67½") FSC



2pc. (979) - Right Short Beam 568.3mm (22-3/8") FSC

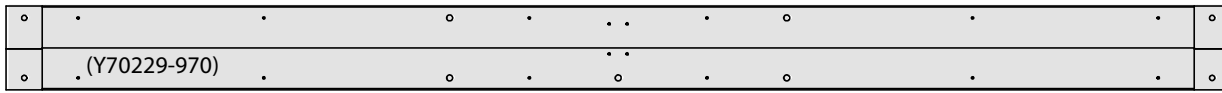


2pc. (982) - Left Short Beam 568.3mm (22-3/8") FSC



# Part Identification ( Dimensions are approximate and are shown to assist in the identification of parts for assembly. Actual dimensions may be smaller or larger. )

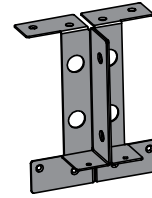
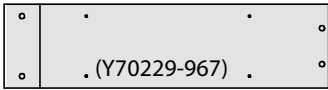
2pc. (970) - Long Centre Beam 2591mm (102") FSC



4pc. (973) - Long Side Beam 1984.4mm (78-1/8") FSC

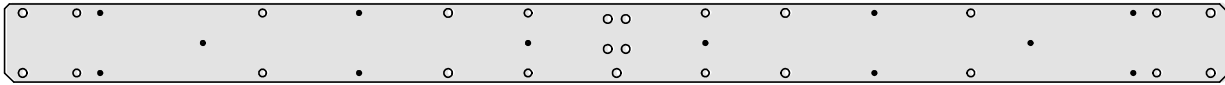


4pc. (967) - Long End Side Beam 687.4mm (27") FSC

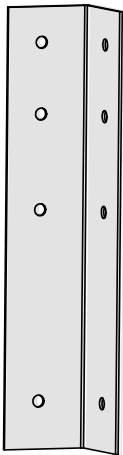
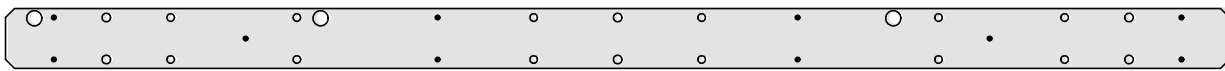


1pc. Centre Beam Bracket (Y70829-366) (2PK)

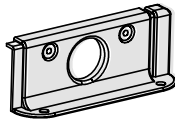
2pc. Long Beam Insert -(Y00429-332)



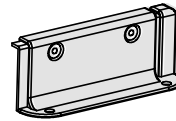
1pc. MID Beam Insert -(Y00429-303)



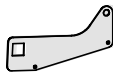
1pc. Post Beam Bracket (Y70829-304) (4PK)



1 pc. Post Mount Plinth (drain) -Black (Y70818-307) (2PK)



1 pc. Post Mount Plinth -Black (Y70818-306) (14PK)



1 pc. Louver End Plate -White (Y70801-326) (84 PK)



1 pc. Aluminum Axle Drive Pin (Y70890-308) ( 2PK)



1 pc. Aluminum Axle Standard Pin (Y70890-311) (72PK)

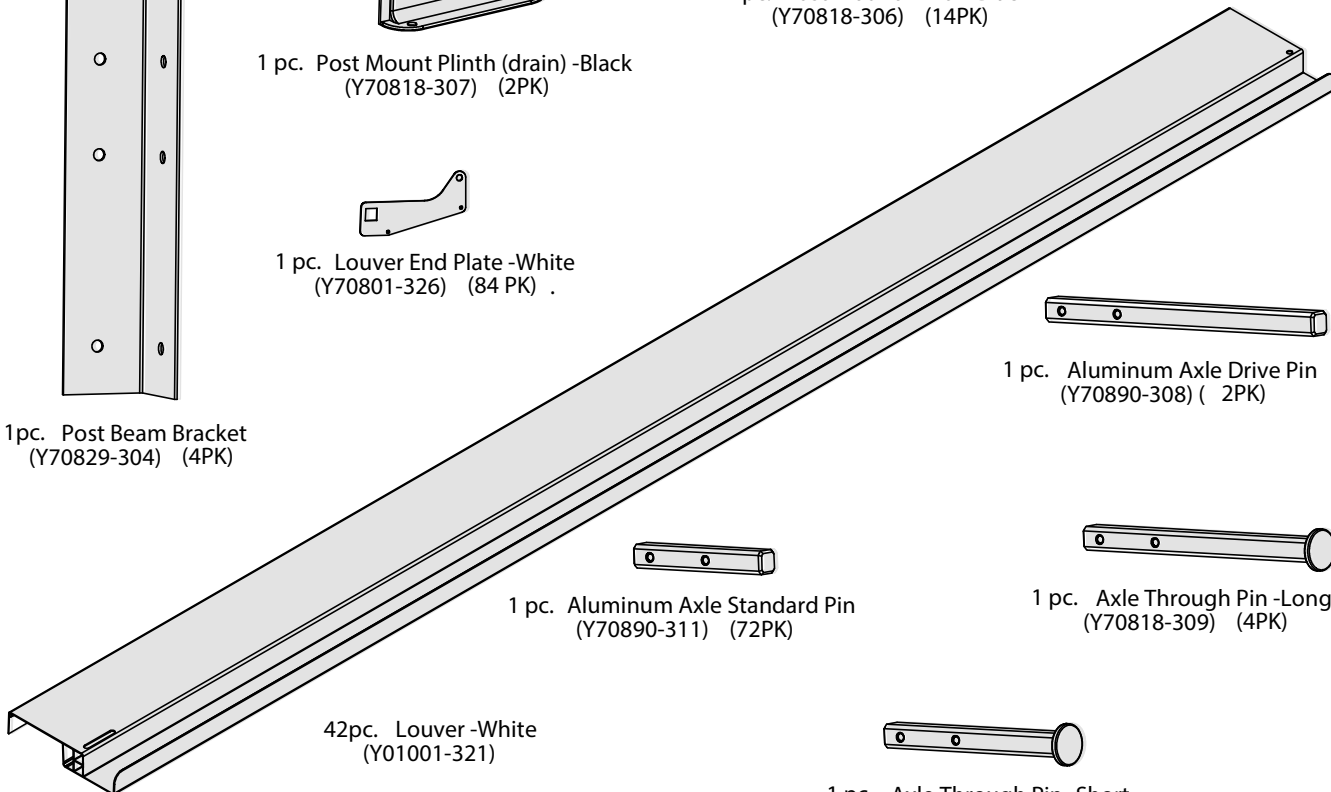


1 pc. Axle Through Pin -Long (Y70818-309) (4PK)

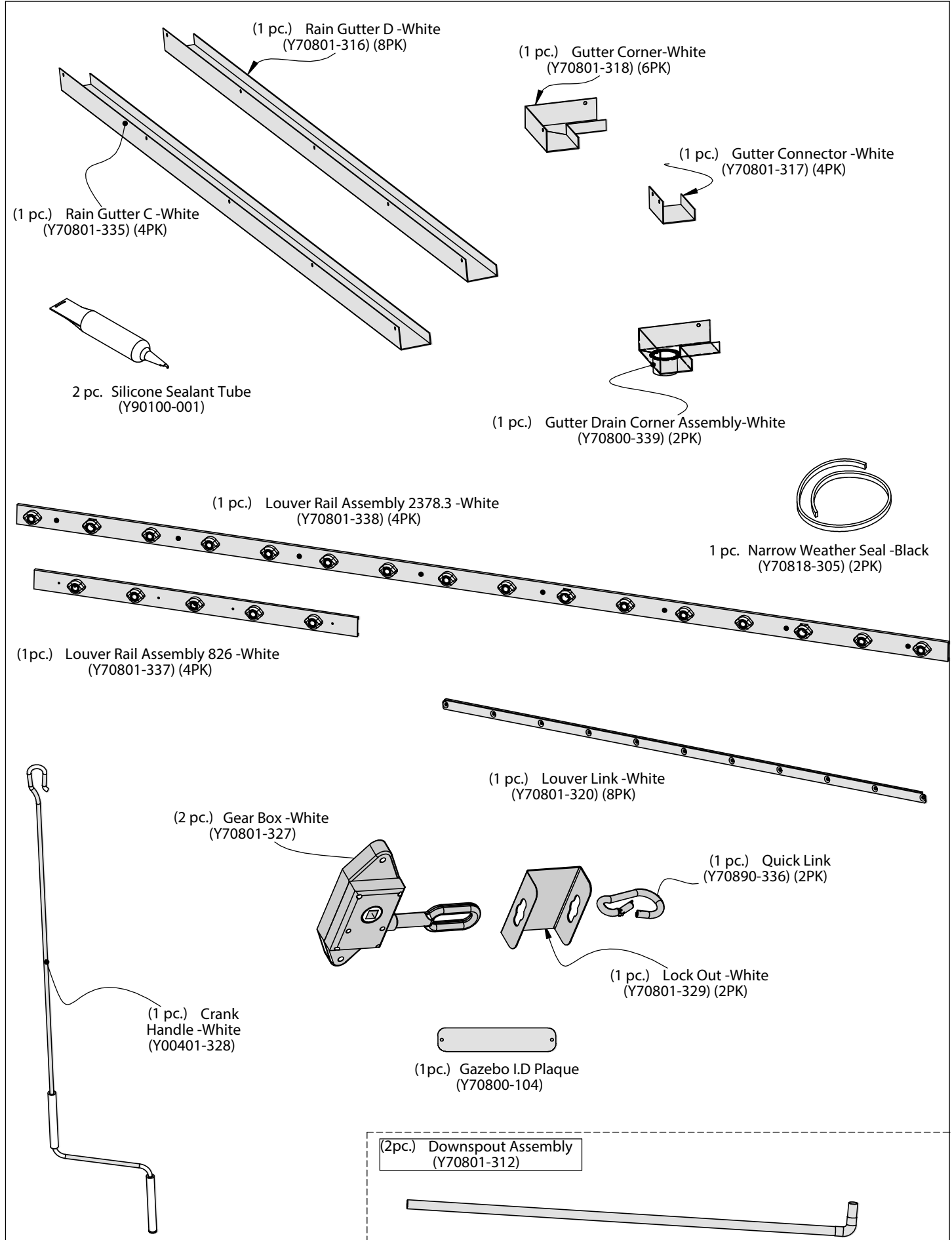


1 pc. Axle Through Pin -Short (Y70890-310) (6PK)

42pc. Louver -White (Y01001-321)

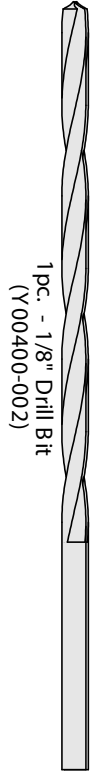
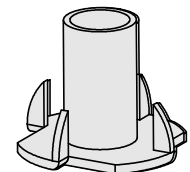
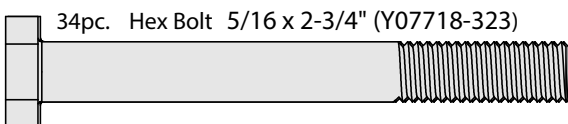
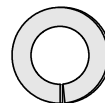
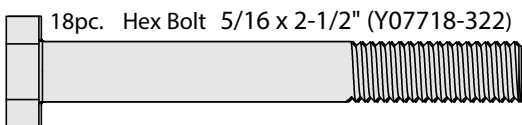
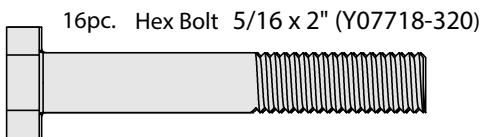
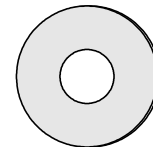
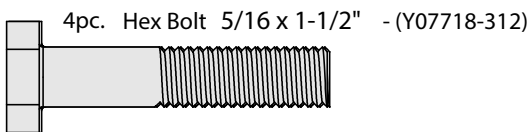
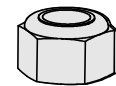
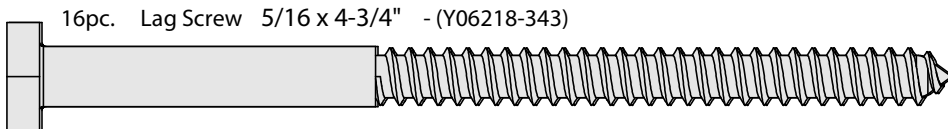
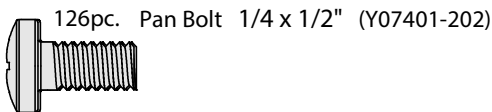
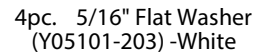
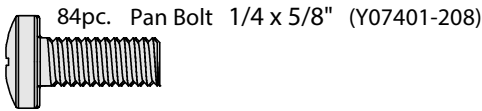
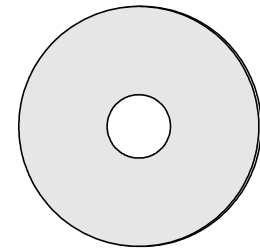
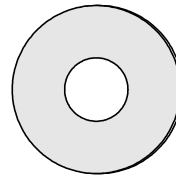
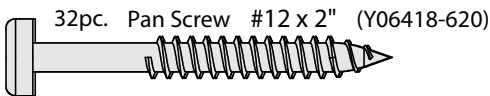
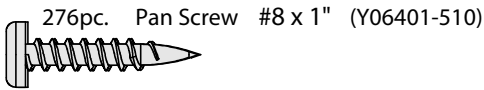
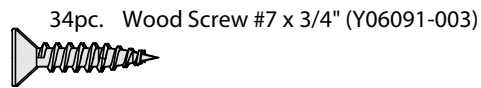
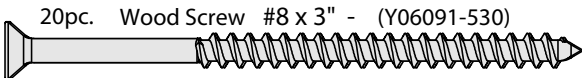
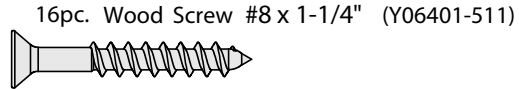
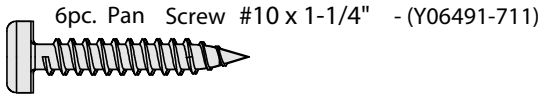
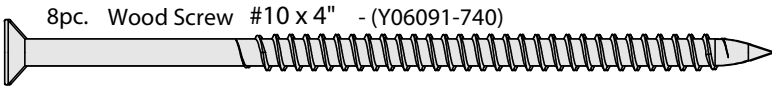
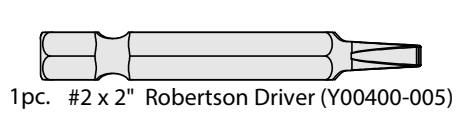
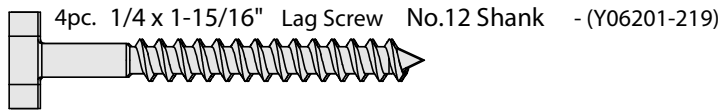


**Part Identification** ( Dimensions are approximate and are shown to assist in the identification of parts for assembly. Actual dimensions may be smaller or larger. )

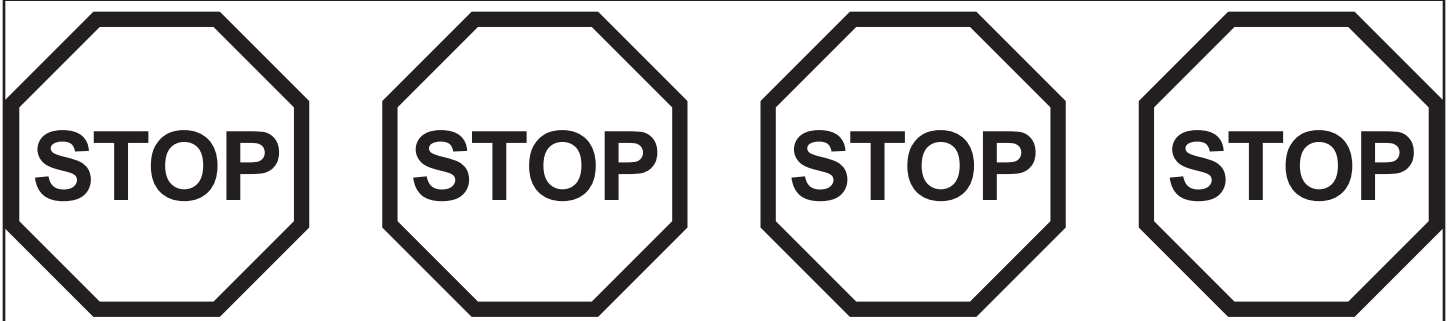


# Hardware Identification

( Dimensions are approximate and are shown to assist in the identification of parts for assembly. Actual dimensions may be smaller or larger. )



# Step 1: Inventory Parts - Read This Before Starting Assembly



- A.** This is the time for you to inventory all your hardware, wood and accessories, referencing the parts identification sheets. This will assist you with your assembly.
- Each step indicates which bolts and/or screws you will need for assembly, as well as any flat washers, lock washers, t-nuts or lock nuts.
- B.** If there are any missing or damaged pieces or you need assistance with assembly please contact the consumer relations department directly. Call us before going back to the store.

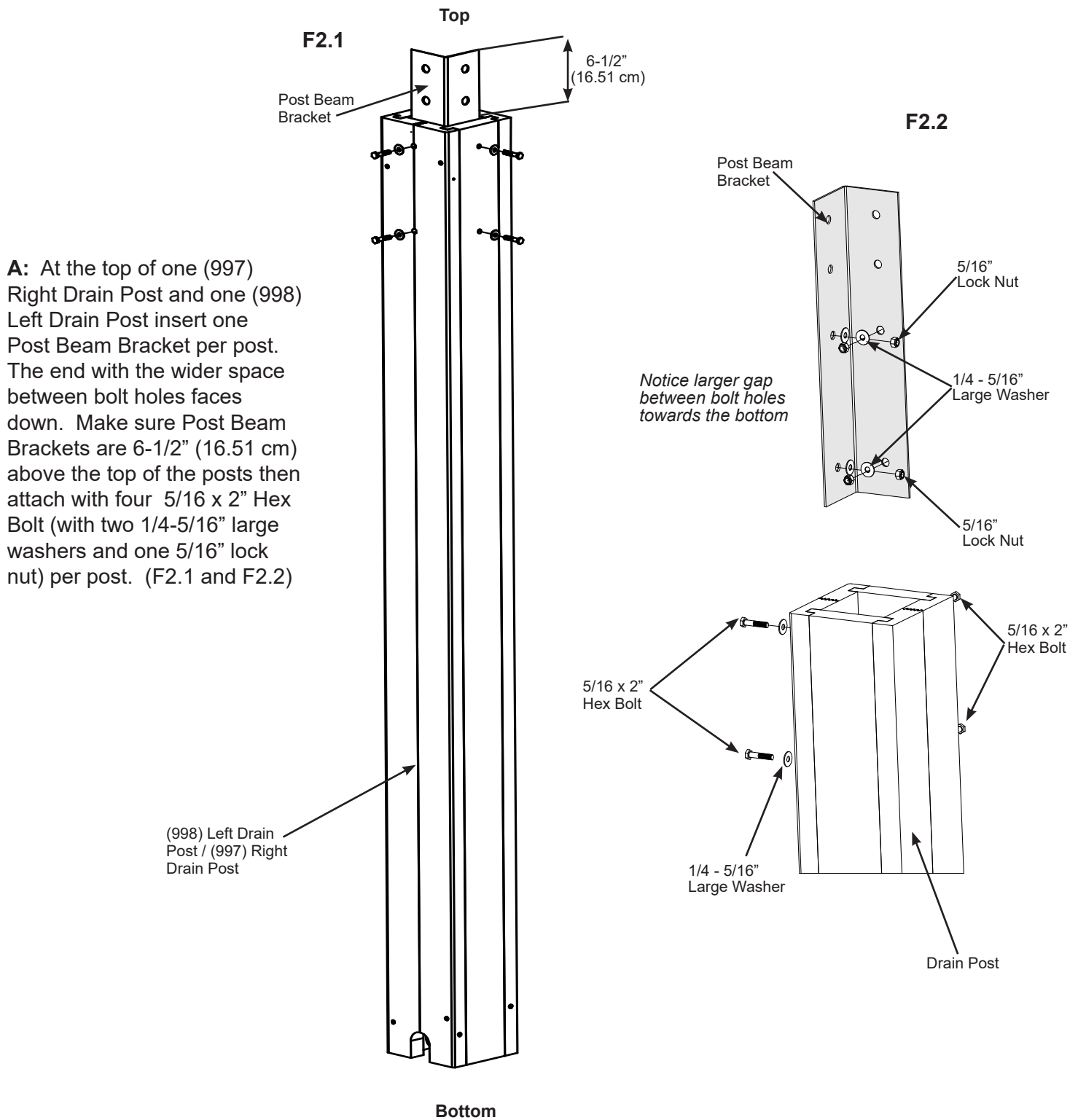
**1-888-509-4382**  
**support@yardistrystructures.com**

- C.** Read the assembly manual completely, paying special attention to ANSI warnings; notes; and safety/maintenance information on pages 1 - 4.
- Follow the instructions in order.
  - This structure is designed to be assembled and installed ideally by four people, DO NOT attempt to install alone.
  - Consider the slope of elevation where you plan to install the structure. Also, check for gas, telephone, other utilities or sprinkler line locations prior to excavating any holes.
- D.** Before you discard your cartons fill out the form below.
- The carton I.D. stamp is located on the end of each carton.
  - Please retain this information for future reference. You will need this information if you contact the Consumer Relations Department.

**PRODUCT NUMBER: YM12974X**

CARTON I.D. STAMP: ___ ___ ___ ___ ___ (Box 1)
CARTON I.D. STAMP: ___ ___ ___ ___ ___ (Box 2)
CARTON I.D. STAMP: ___ ___ ___ ___ ___ (Box 3)
CARTON I.D. STAMP: ___ ___ ___ ___ ___ (Box 4)

# Step 2: Drain Post Assemblies Part 1



### Wood Parts

- 1 x (997) Right Drain Post
- 1 x (998) Left Drain Post

### Components

- 2 x Post Beam Bracket

### Hardware

- 8 x 5/16 x 2" Hex Bolt (1/4-5/16" large washer x 2, 5/16" lock nut)

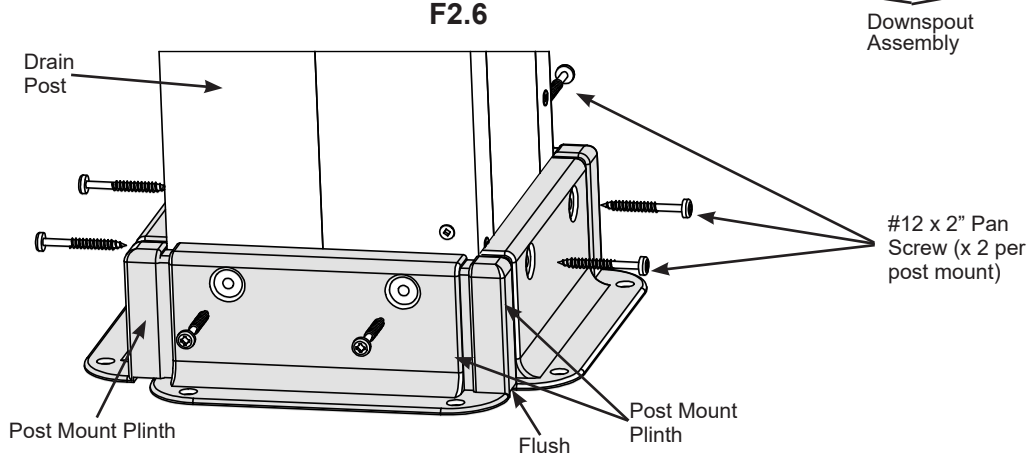
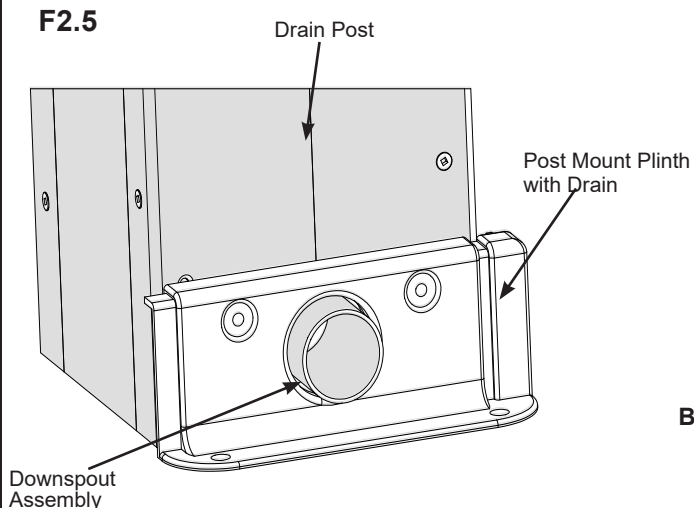
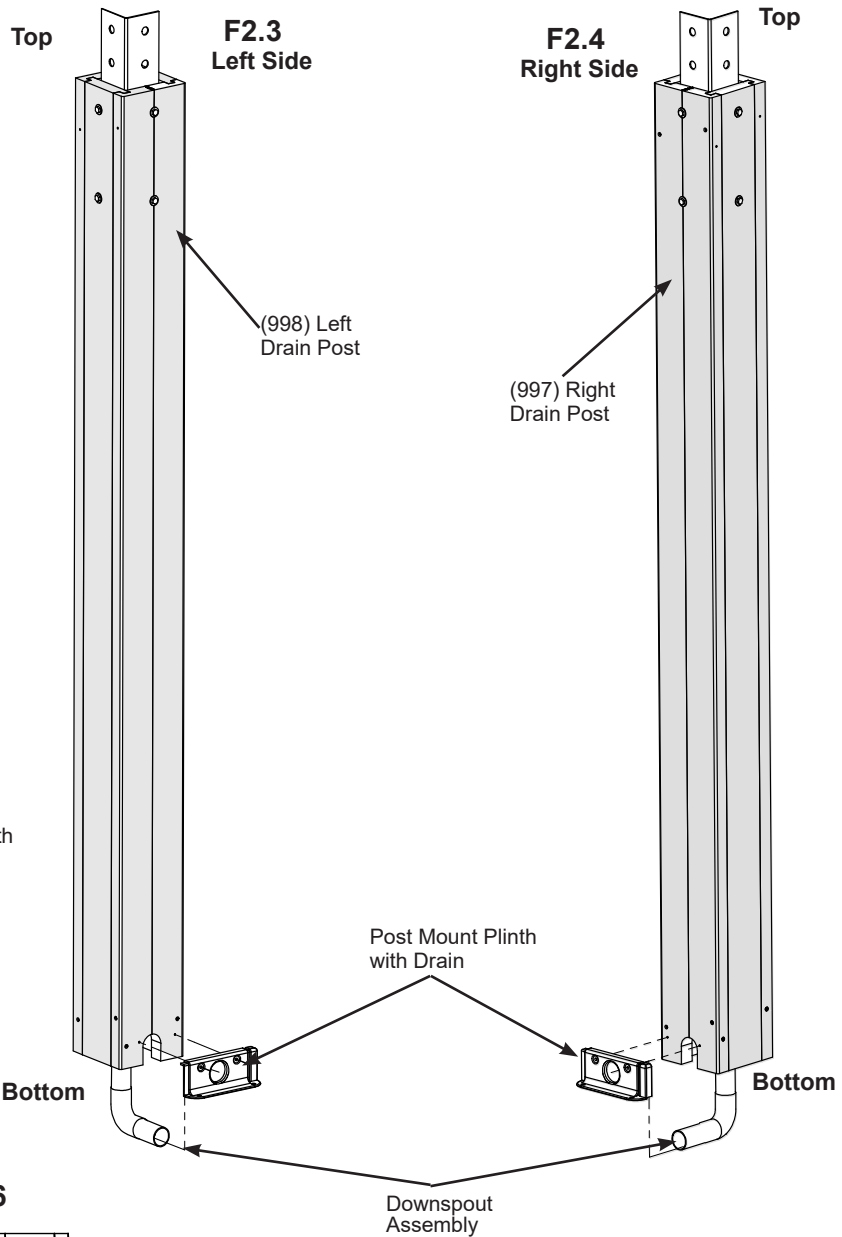
# Step 2: Drain Post Assemblies Part 2



**B:** From the bottom, feed one Downspout Assembly up through each post. The elbow is at the bottom of the posts and fits tight in the bottom notch. (F2.3 and F2.4)

**C:** With a helper, stand posts up and place one Post Mount Plinth with Drain over the bottom of each Downspout Assembly. Make sure the post mount is flush to the bottom of the post. (F2.3, F2.4 and F2.5)

**D:** On the remaining sides of each post, place one Post Mount Plinth flush to the bottom of the posts. Each post mount should fit together in a tongue and groove style. Attach each Post Mount Plinth to posts with two #12 x 2" Pan Screws per post mount. (F2.6)



### Components

- 2 x Downspout Assembly
- 2 x Post Mount Plinth with Drain
- 6 x Post Mount Plinth

### Hardware

- 16 x #12 x 2" Pan Screw

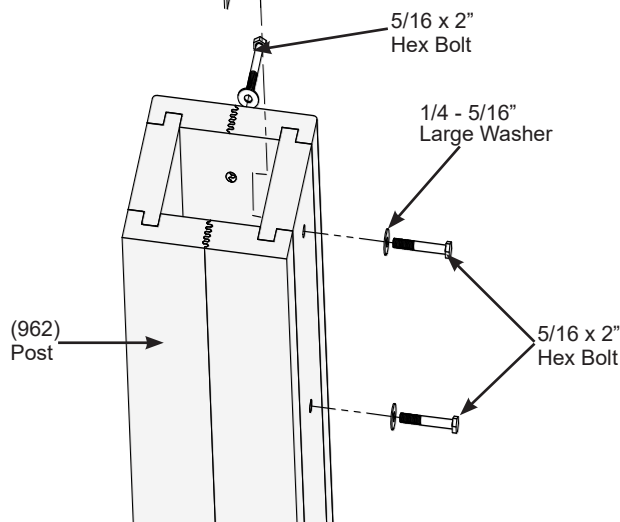
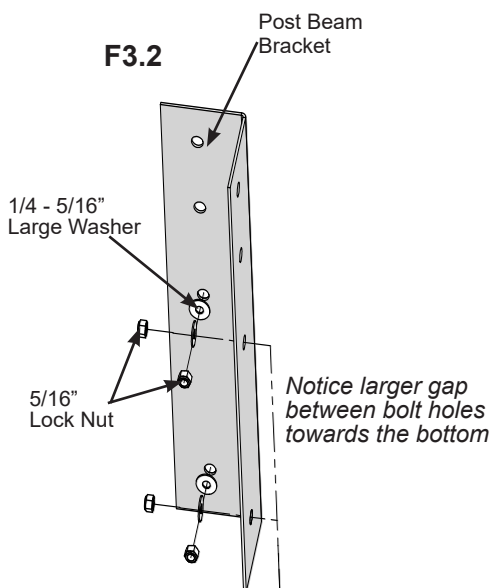
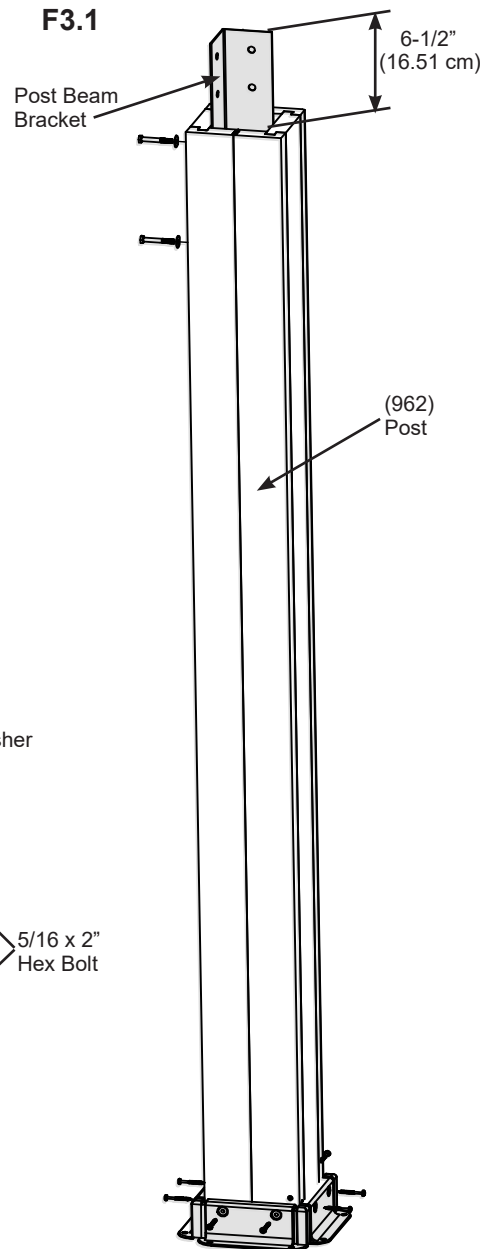
# Step 3: Post Assemblies



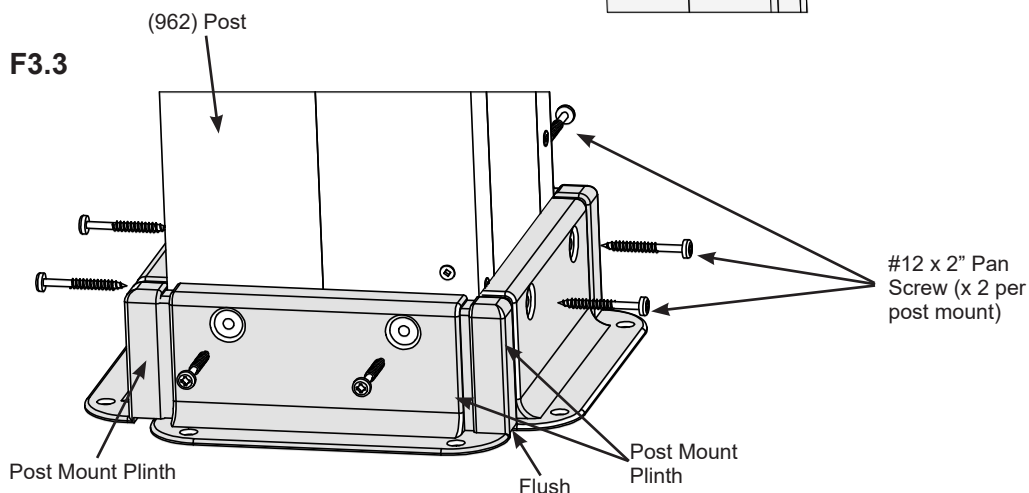
**A:** At the top of two (962) Posts insert one Post Beam Bracket. The end with the wider space between bolt holes faces down. Make sure Post Beam Brackets are 6-1/2" (16.51 cm) above the top of the posts then attach with four 5/16 x 2" Hex Bolt (with two 1/4-5/16" large washers and one 5/16" lock nut) per post. (F3.1 and F3.2)

**B:** On the bottom of each post, place four Post Mount Plinth flush to the bottom of the posts. Each post mount plinth should fit together in a tongue and groove style. Attach Post Mount Plinths to posts with two #12 x 2" Pan Screws per post mount plinth. (F3.1 and F3.3)

**F3.1**



**F3.3**



**Wood Parts**

2 x (962) Post

**Components**

8 x Post Mount Plinth  
2 x Post Beam Bracket

**Hardware**

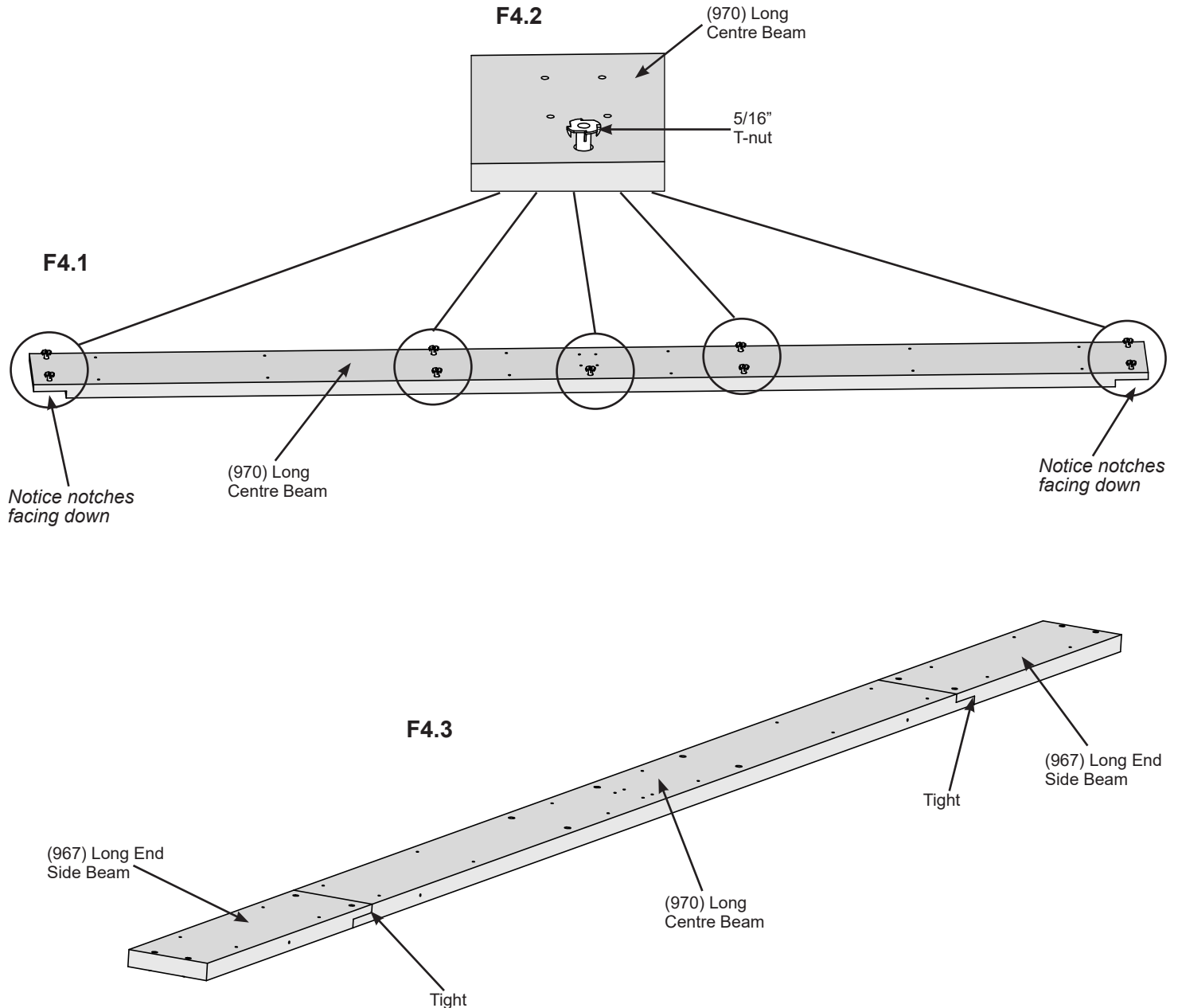
16 x #12 x 2" Pan Screw  
8 x 5/16 x 2" Hex Bolt  
(1/4-5/16" large washer x 2, 5/16" lock nut)



# Step 4: Long Beam Assembly Part 1

**A:** Layout one (970) Long Centre Beam so the notched end faces down. Tap in nine 5/16" T-nuts in (970) Long Centre Beam as shown in F4.1 and F4.2.

**B:** Flip (970) Long Centre Beam over so the t-nuts are facing down. Place one (967) Long End Side Beam at each end of (970) Long Centre Beam. (F4.3)



## Wood Parts

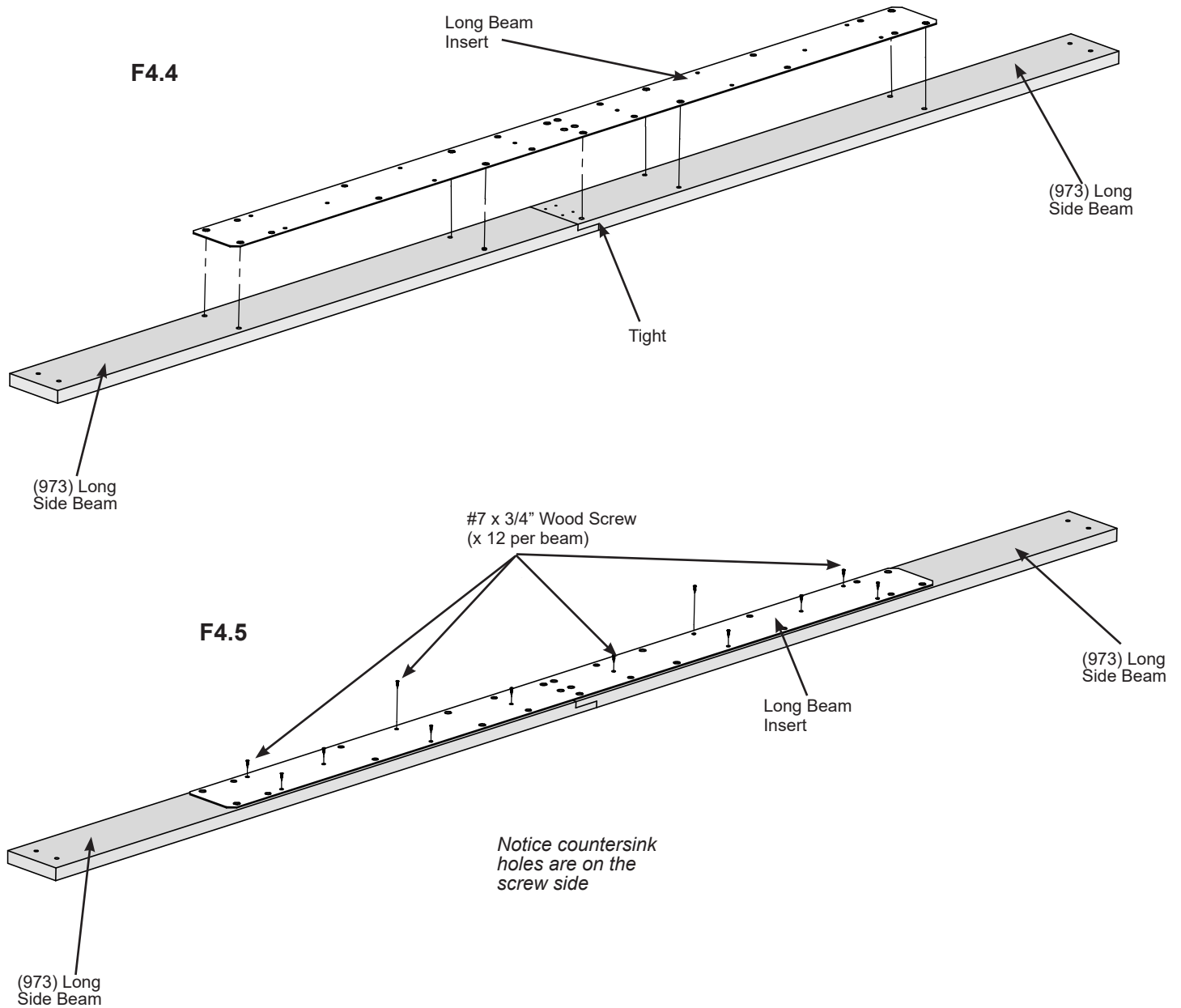
- 2 x (970) Long Centre Beam
- 4 x (967) Long End Side Beam

## Hardware

- 18 x 5/16" T-Nut

# Step 4: Long Beam Assembly Part 2

**C:** Place two (973) Long Side Beams so the lap joints fit tight in the centre then place one Long Beam Insert over (973) Long Side Beams so the holes line up. The countersink holes in the Long Beam Insert need to be up so the screw head sits flat along the surface after being installed. Attach Long Beam Insert to (973) Long Side Beams with 12 #7 x 3/4" Wood Screws. (F4.4 and F4.5)



### Wood Parts

4 x (973) Long Side Beam

### Components

2 x Long Beam Insert

### Hardware

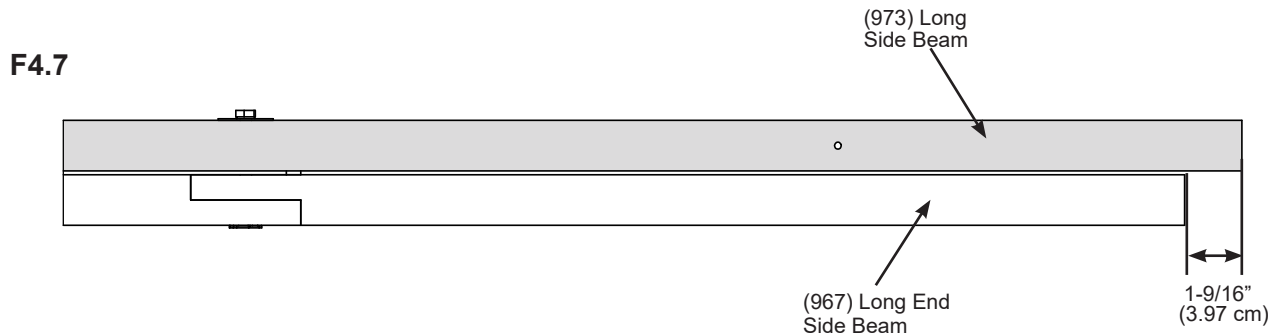
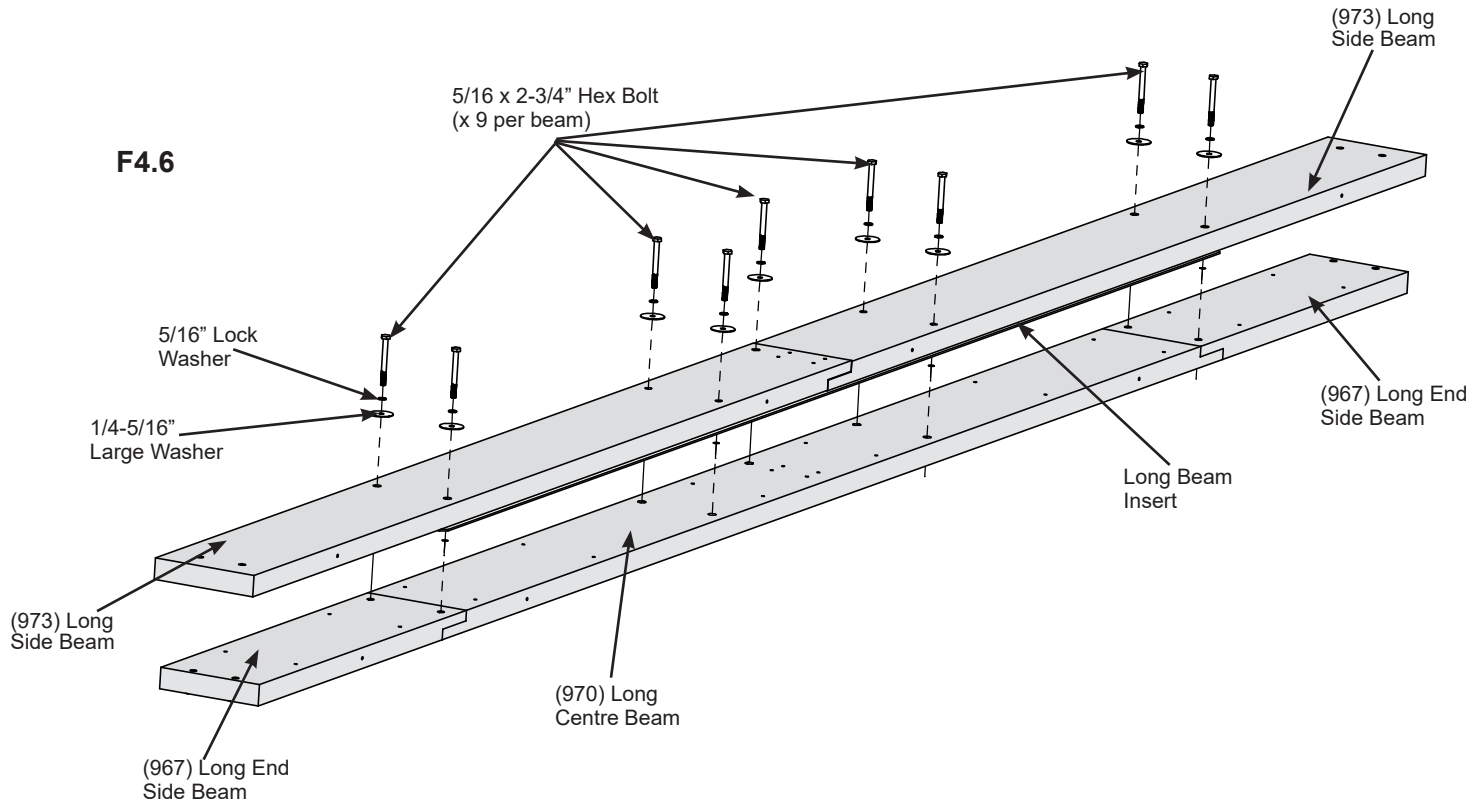
24 x #7 x 3/4" Wood Screw

# Step 4: Long Beam Assembly Part 3



**D:** Lay Long Beam Insert with (973) Long Side Beams on top of (970) Long Centre Beam and (967) Long End Side Beams. Make sure the bolt holes line up then loosely attach with nine 5/16 x 2-3/4" Hex Bolts (with 5/16" lock washer and 1/4-5/16" large washer). The bolts will connect to the previously installed t-nuts. (F4.6)

**E:** Make sure both (973) Long Side Beams overhang the (967) Long End Side Beams by 1-9/16" (3.97 cm) then tighten the bolts. (F4.7)



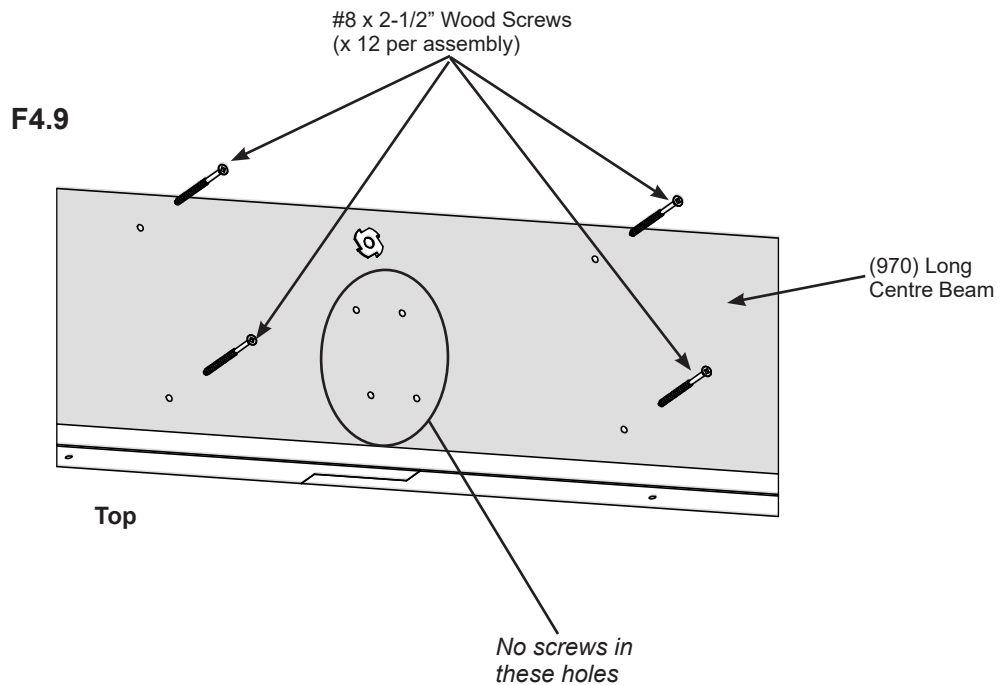
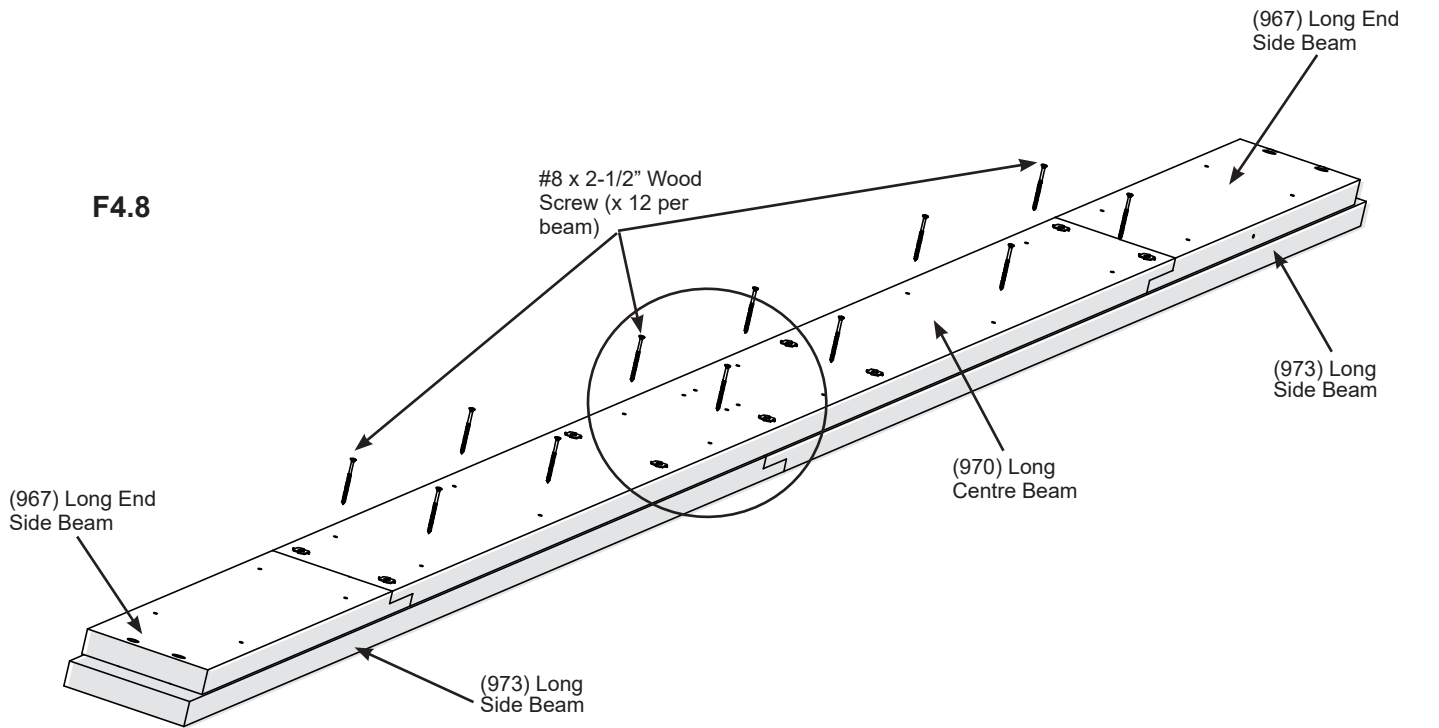
### Hardware

18 x 5/16 x 2-3/4" Hex Bolt  
(5/16" lock washer, 1/4-5/16" large washer)

# Step 4: Long Beam Assembly Part 4

**F:** Flip the assembly over so the t-nuts face up then fasten assembly with 12 #8 x 2-1/2" Wood Screws through (970) Long Centre Beam only. Do not install screws in the four centre pilot holes. (F4.8 and F4.9)

**G:** Repeat Steps A - F to make a second Long Beam Assembly.



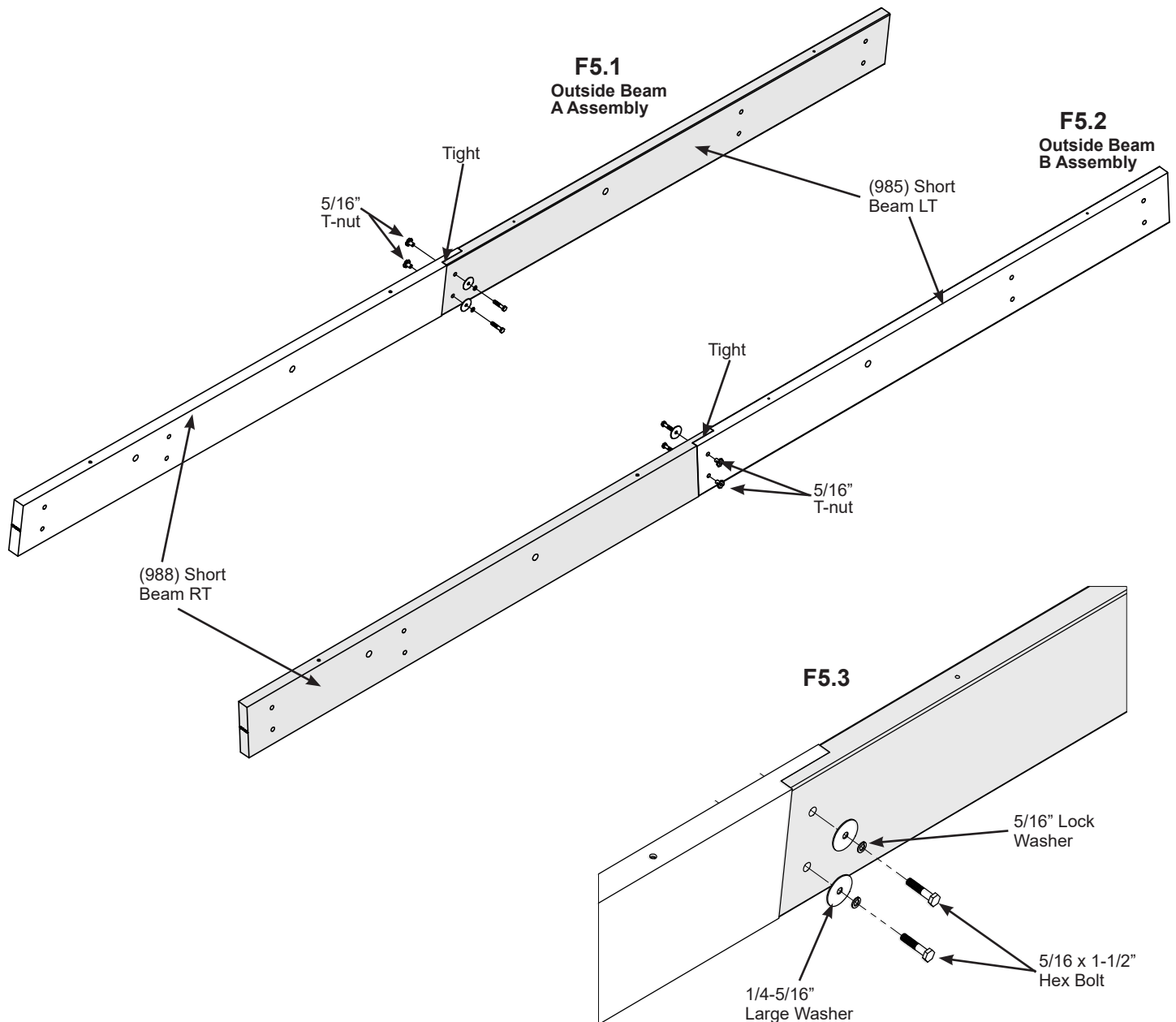
## Hardware

24 x #8 x 2-1/2" Wood Screw

## Step 5: Short Beam Assemblies

**A:** Connect one (988) Short Beam RT and one (985) Short Beam LT so the lap joints are tight. Install two 5/16" T-nuts in (988) Short Beam RT then attach boards through (985) Short Beam LT using two 5/16 x 1-1/2" Hex Bolts (with 5/16" lock washer, 1/4-5/16" large washer) as shown in F5.1 and F5.3. This creates one Outside Beam A Assembly.

**B:** Connect one (988) Short Beam RT and one (985) Short Beam LT so the lap joints are tight. Install two 5/16" T-nuts in (985) Short Beam LT then attach boards through (988) Short Beam RT using two 5/16 x 1-1/2" Hex Bolts (with 5/16" lock washer, 1/4-5/16" large washer) as shown in F5.2 and F5.3. This creates one Outside Beam B Assembly. Notice bolts are installed on opposite side to Outside Beam A Assembly.



### Wood Parts

2 x (985) Short Beam LT  
2 x (988) Short Beam RT

### Hardware

4 x 5/16 x 1-1/2" Hex Bolt  
(5/16" lock washer, 1/4-5/16" large washer, 5/16" t-nut)

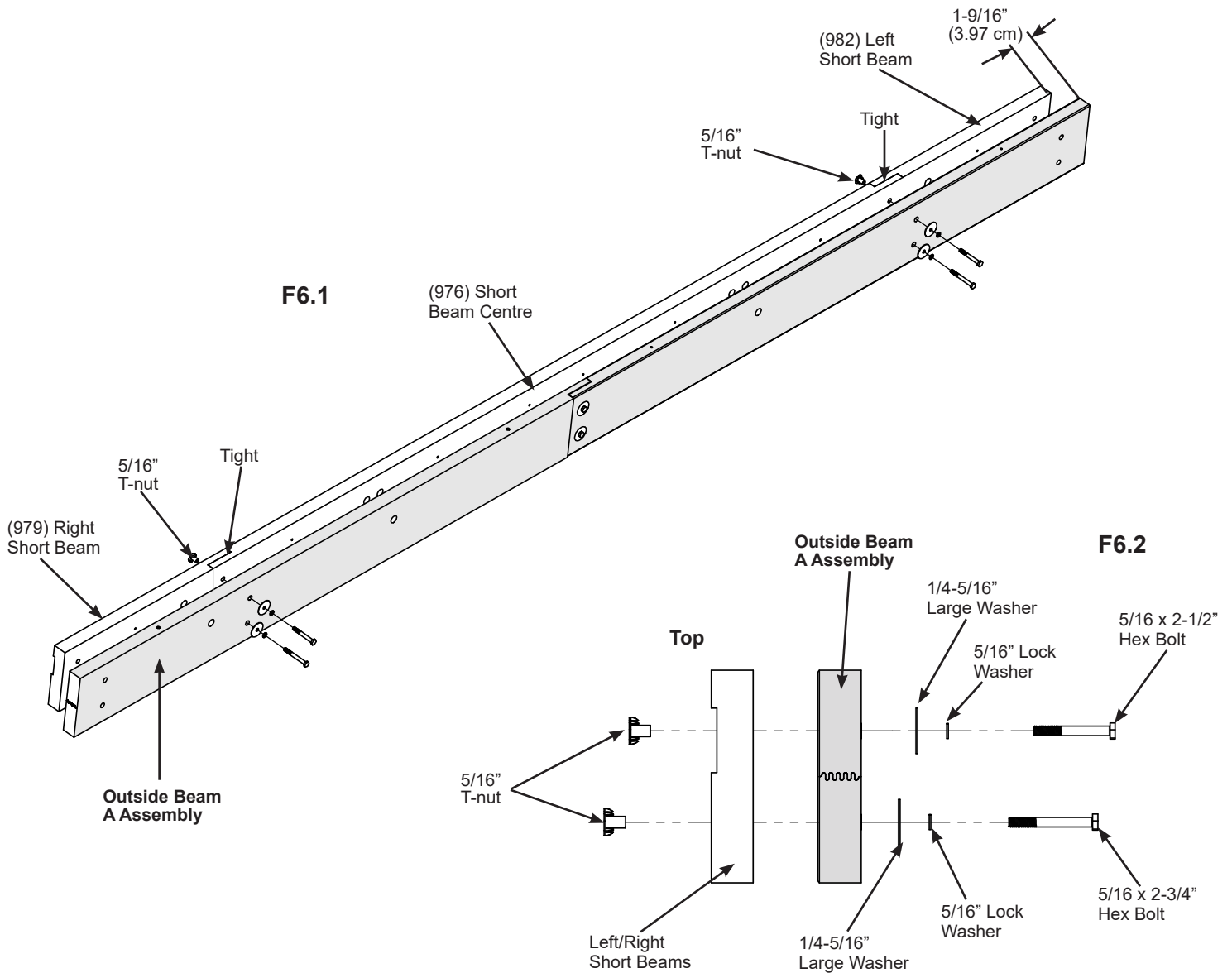
# Step 6: Short Beam A Assembly



**A:** Connect one (979) Right Short Beam and one (982) Left Short Beam to each end of one (976) Short Beam Centre so the lap joints are tight. Install two 5/16" T-nuts in (979) Right Short Beam and (982) Left Short Beam. Lay flat so the t-nuts are down. (F6.1)

**B:** Place Outside Beam A Assembly on top of (979) Right Short Beam, (982) Left Short Beam and (976) Short Beam Centre, bolt heads facing out. Make sure holes line up then loosely attach with two 5/16 x 2-3/4" Hex Bolts (with 5/16" lock washer and 1/4-5/16" large washer) in the bottom holes and two 5/16 x 2-1/2" Hex Bolts (with 5/16" lock washer and 1/4-5/16" large washer) in the top holes. The bolts will connect to the previously installed t-nuts. (F6.1 and F6.2)

**C:** Make sure Outside Beam A Assembly overhangs (979) Right Short Beam and (982) Left Short Beam by 1-9/16" (3.97 cm) then tighten the bolts. (F6.1 and F6.2)



### Wood Parts

- 1 x (979) Right Short Beam
- 1 x (982) Left Short Beam
- 1 x (976) Short Beam Centre

### Hardware

- 2 x 5/16 x 2-1/2" Hex Bolt  
(5/16" lock washer, 1/4-5/16" large washer, 5/16" t-nuts)
- 2 x 5/16 x 2-3/4" Hex Bolt  
(5/16" lock washer, 1/4-5/16" large washer, 5/16" t-nuts)

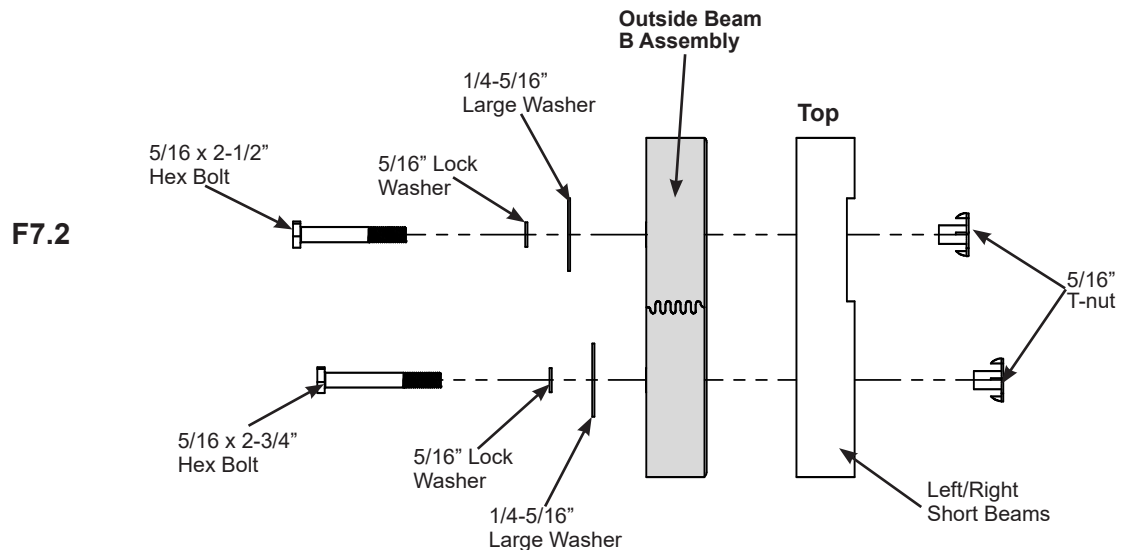
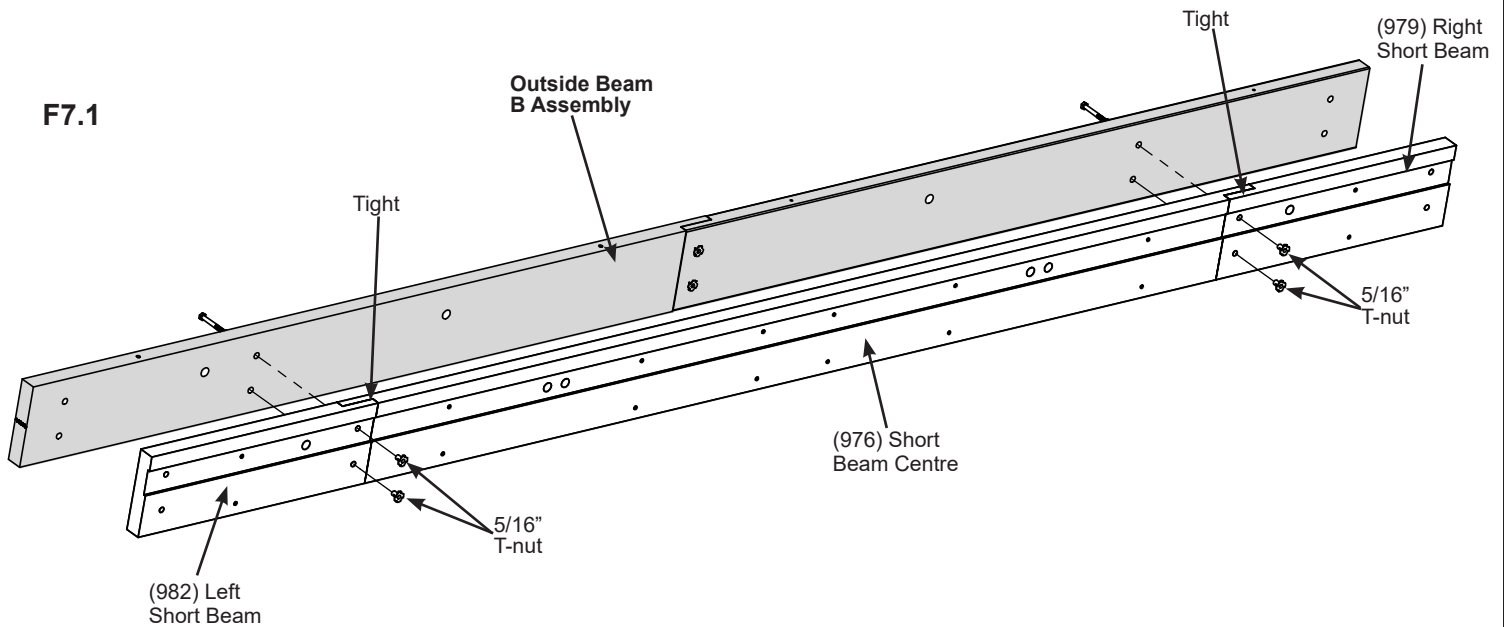
# Step 7: Short Beam B Assembly



**A:** Connect one (979) Right Short Beam and one (982) Left Short Beam to each end of one (976) Short Beam Centre so the lap joints are tight. Install two 5/16" T-nuts in (979) Right Short Beam and (982) Left Short Beam. Notice this is reverse to Step 6A. Lay flat so the t-nuts are down. (F7.1)

**B:** Place Outside Beam B Assembly on top of (979) Right Short Beam, (982) Left Short Beam and (976) Short Beam Centre, bolt heads facing out. Make sure holes line up then loosely attach with two 5/16 x 2-3/4" Hex Bolts (with 5/16" lock washer and 1/4-5/16" large washer) in the bottom holes and two 5/16 x 2-1/2" Hex Bolts (with 5/16" lock washer and 1/4-5/16" large washer) in the top holes. The bolts will connect to the previously installed t-nuts. (F7.1 and F7.2)

**C:** Make sure Outside Beam B Assembly overhang (979) Right Short Beam and (982) Left Short Beam by 1-9/16" (3.97 cm), as done in Step 6C, then tighten the bolts. (F7.1 and F7.2)



### Wood Parts

- 1 x (979) Right Short Beam
- 1 x (982) Left Short Beam
- 1 x (976) Short Beam Centre

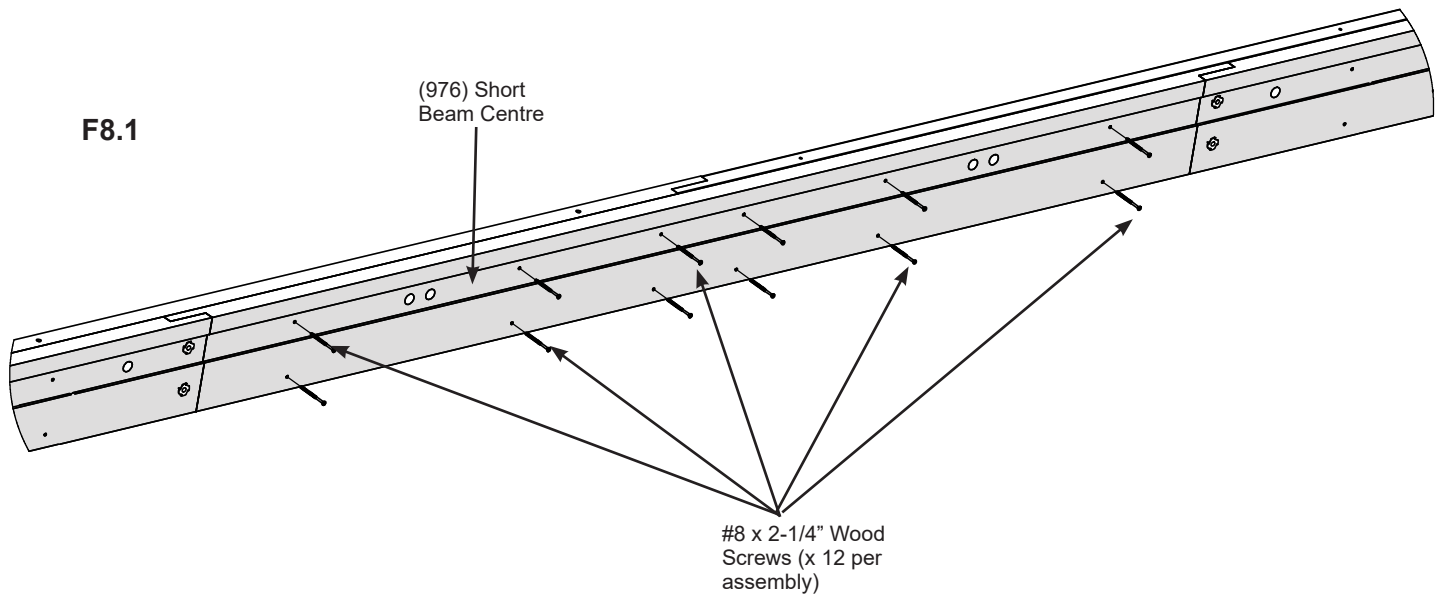
### Hardware

- 2 x 5/16 x 2-1/2" Hex Bolt  
(5/16" lock washer, 1/4-5/16" large washer, 5/16" t-nuts)
- 2 x 5/16 x 2-3/4" Hex Bolt  
(5/16" lock washer, 1/4-5/16" large washer, 5/16" t-nuts)

## Step 8: Short Beam A & B Final Assembly

**A:** Flip Short Beam A Assembly over so the t-nuts face up then fasten assembly with 12 #8 x 2-1/4" Wood Screws through (976) Short Beam Centre only. (F8.1)

**B:** Flip Short Beam B Assembly over so the t-nuts face up then fasten assembly with 12 #8 x 2-1/4" Wood Screws through (976) Short Beam Centre only. (F8.1)



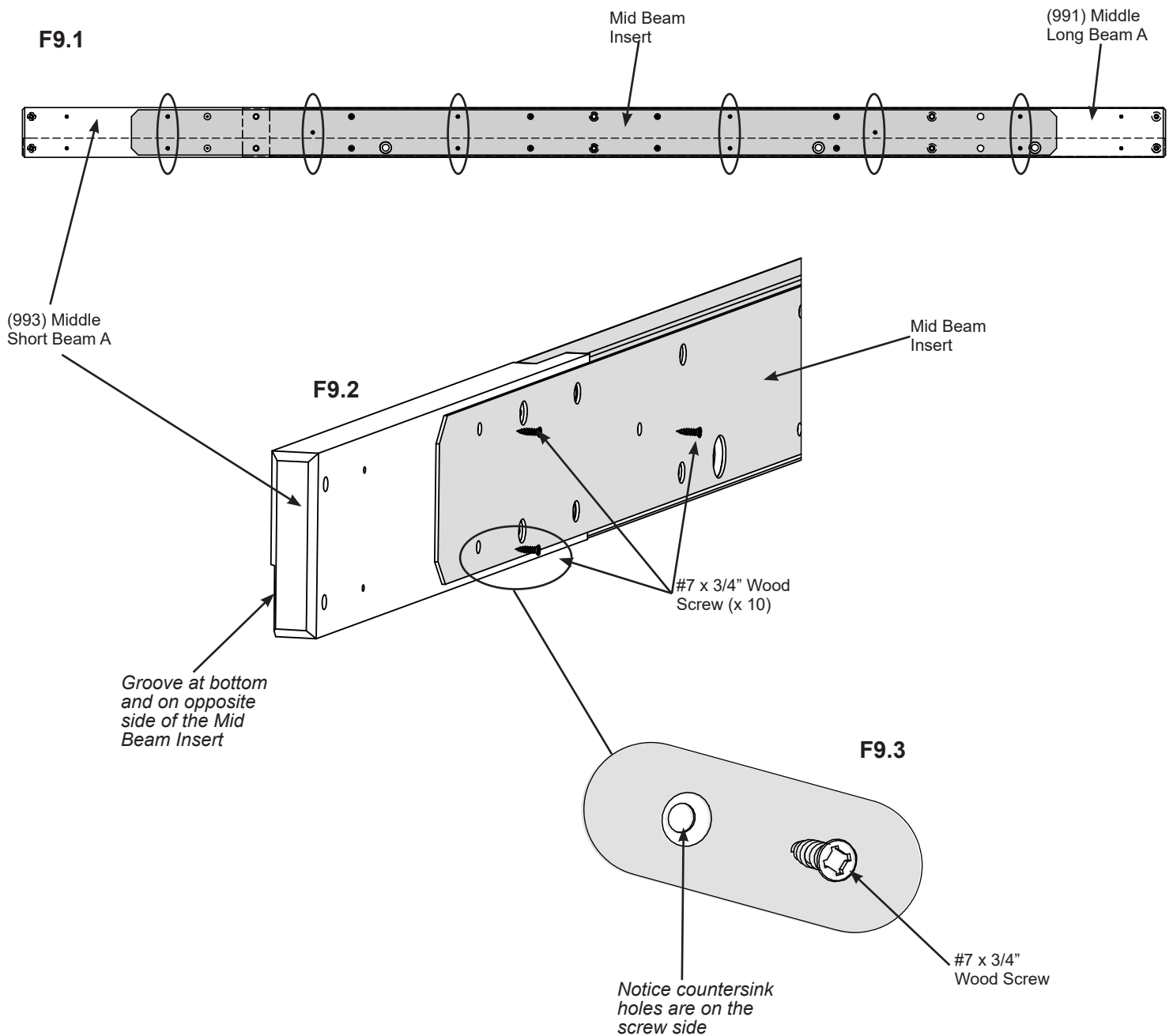
### Hardware

24 x #8 x 2-1/4" Wood Screw



# Step 9: Middle Beam Assembly Part 1

**A:** Connect (991) Middle Long Beam A and (993) Middle Short Beam A so the lap joints are tight and the groove is at the bottom. Place Mid Beam Insert on top of boards making sure the holes line up. The countersink holes in the Mid Beam Insert need to be up so the screw head sits flat along the surface after being installed. Attach Mid Beam Insert to (991) Middle Long Beam A and (993) Middle Short Beam A with ten #7 x 3/4" Wood Screws. This will be the Middle Beam A Assembly (F9.1, F9.2 and F9.3)



### Wood Parts

- 1 x (991) Middle Long Beam A
- 1 x (993) Middle Short Beam A

### Components

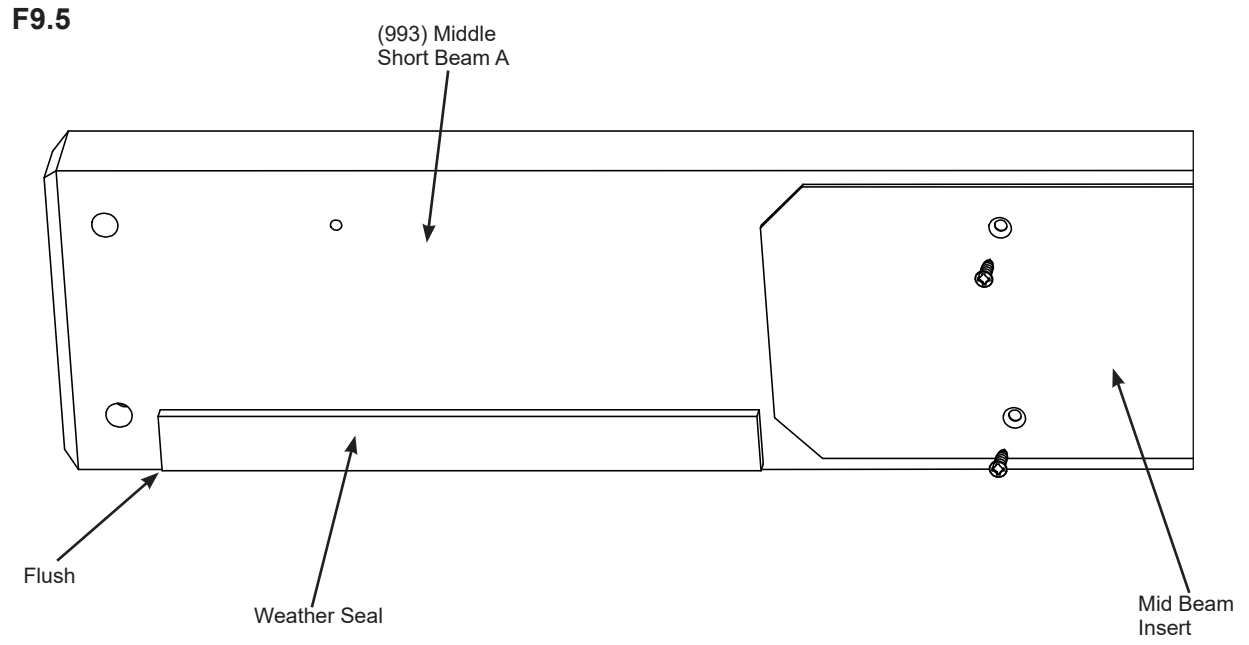
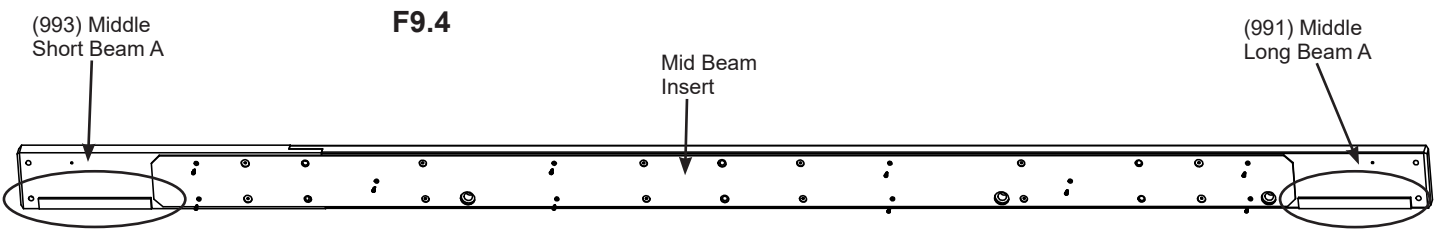
- 1 x Mid Beam Insert

### Hardware

- 10 x #7 x 3/4" Wood Screw

# Step 9: Middle Beam Assembly Part 2

**B:** On each side of Mid Beam Insert, flush to the bottom of (991) Middle Long Beam A and (993) Middle Short Beam A attach two pieces of Weather seal as shown in F9.4 and F9.5.



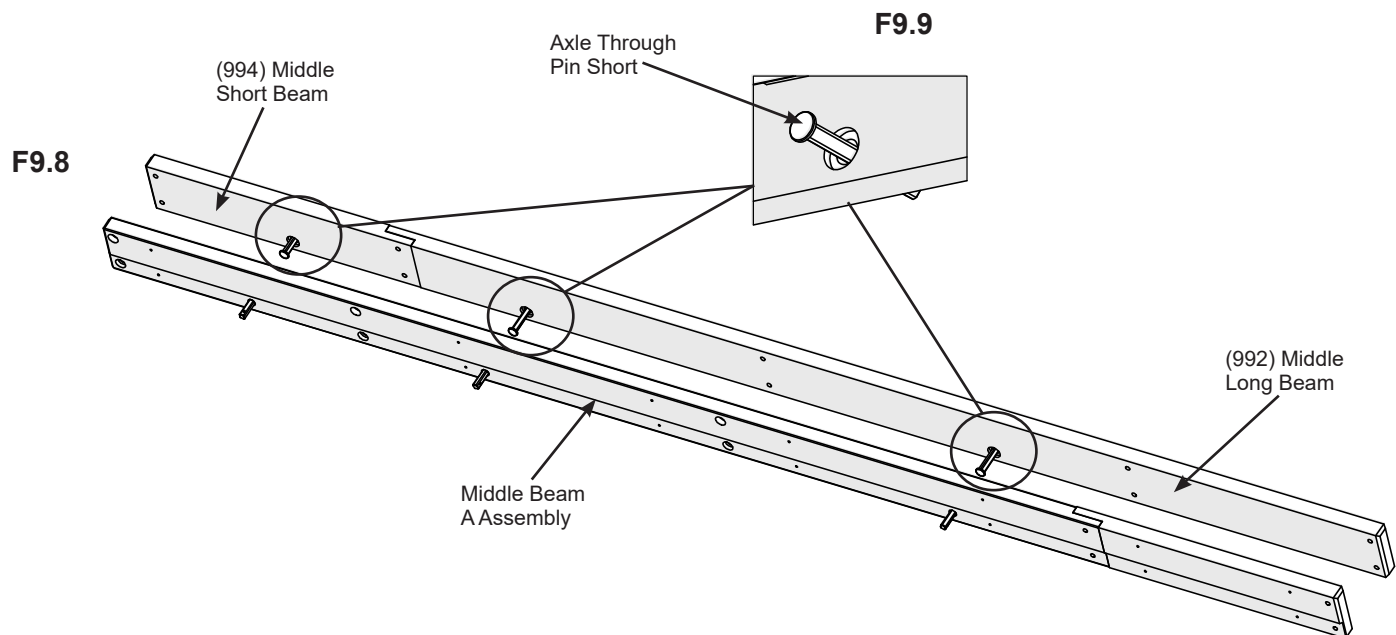
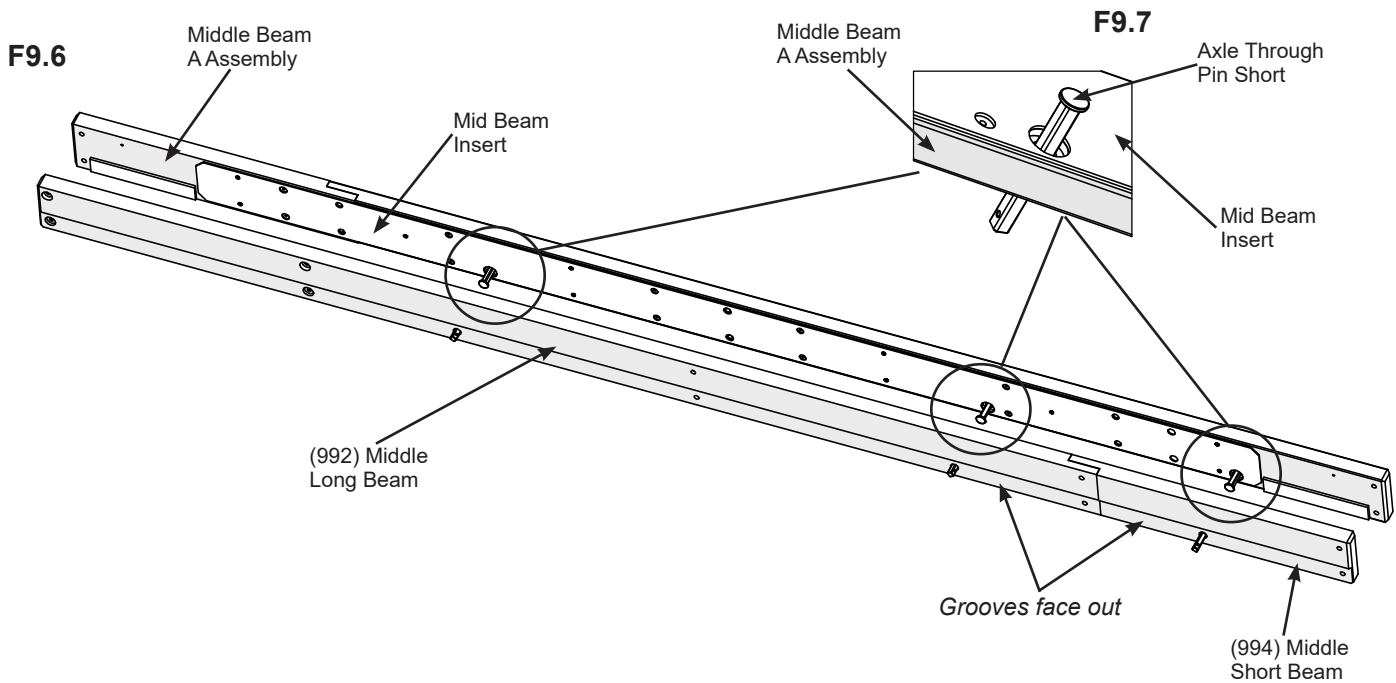
### Components

2 x Weather Seal

# Step 9: Middle Beam Assembly Part 3

**C:** Place Middle Beam A Assembly on edge then place (992) Middle Long Beam and (994) Middle Short Beam beside the assembly, with lap joints tight and grooves face out. Mid Beam Insert should be between boards. (F9.6)

**D:** Place three Axle Through Pin Short through Mid Beam Insert, two Axle Through Pin Short through (992) Middle Long Beam and one through (994) Middle Short Beam from the inside out. (F9.6, F9.7, F9.8 and F9.9)



### Wood Parts

- 1 x (992) Middle Long Beam
- 1 x (994) Middle Short Beam

### Components

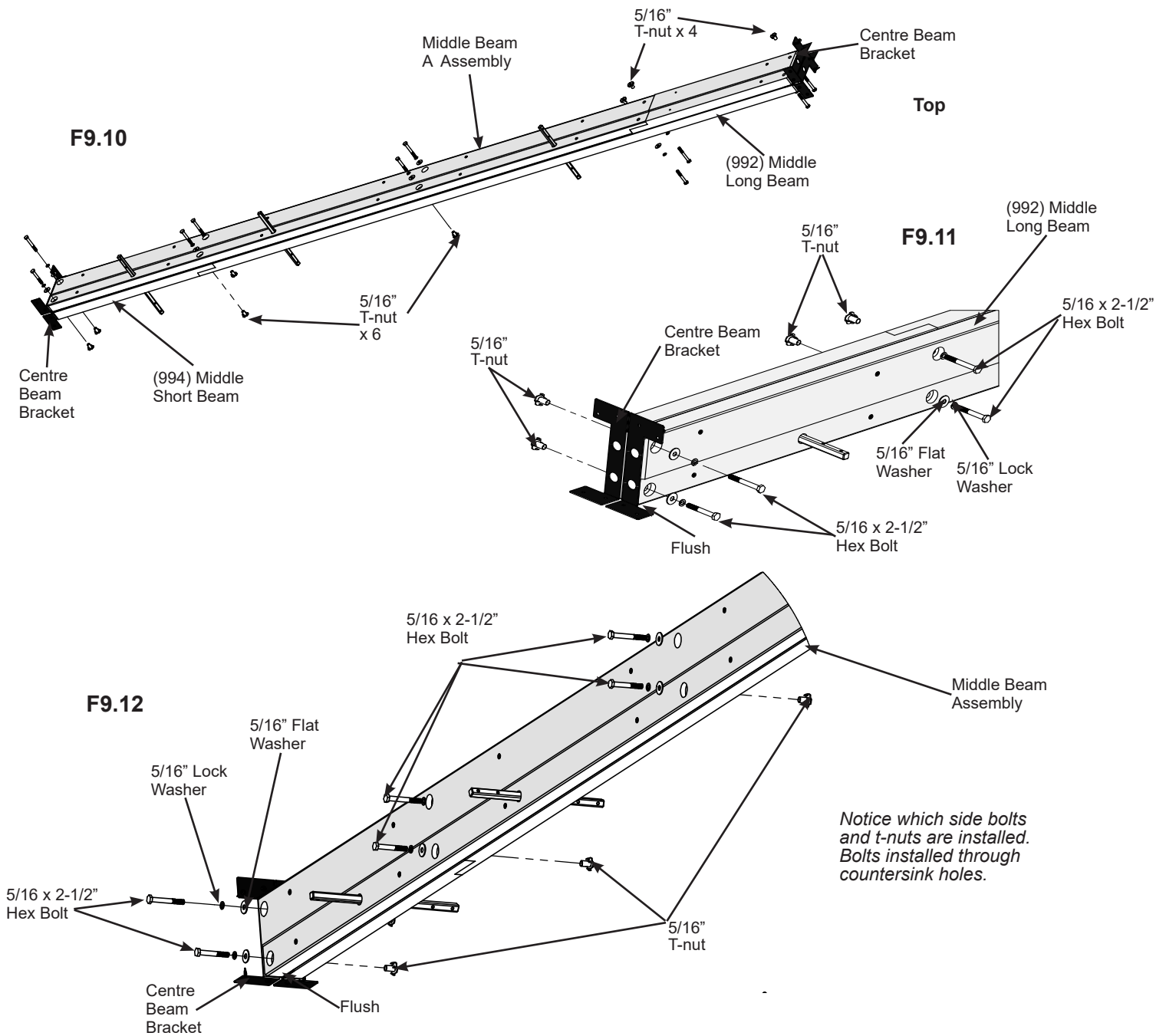
- 6 x Axle Through Pin Short

# Step 9: Middle Beam Assembly

## Part 4

**E:** Install four 5/16 T-nuts into Middle Beam A Assembly, four to (992) Middle Long Beam and two to (994) Middle Short Beam. T-nuts are installed in the non-countersink holes. In the middle holes attach with six 5/16 x 2-1/2" Hex Bolts (with 5/16" lock washer and 5/16" flat washer), bolts installed in countersink holes and attaching to t-nuts. This assembly is the Middle Beam Assembly. (F9.10, F9.11 and F9.12)

**F:** At each end of the Middle Beam Assembly insert one Centre Beam Bracket, the bottom of the bracket to be flush to the bottom of the assembly. Attach with two 5/16 x 2-1/2" Hex Bolts (with 5/16" lock washer, 5/16" flat washer and t-nuts) per bracket. The bolts are installed in countersink holes. (F9.10, F9.11 and F9.12)



### Components

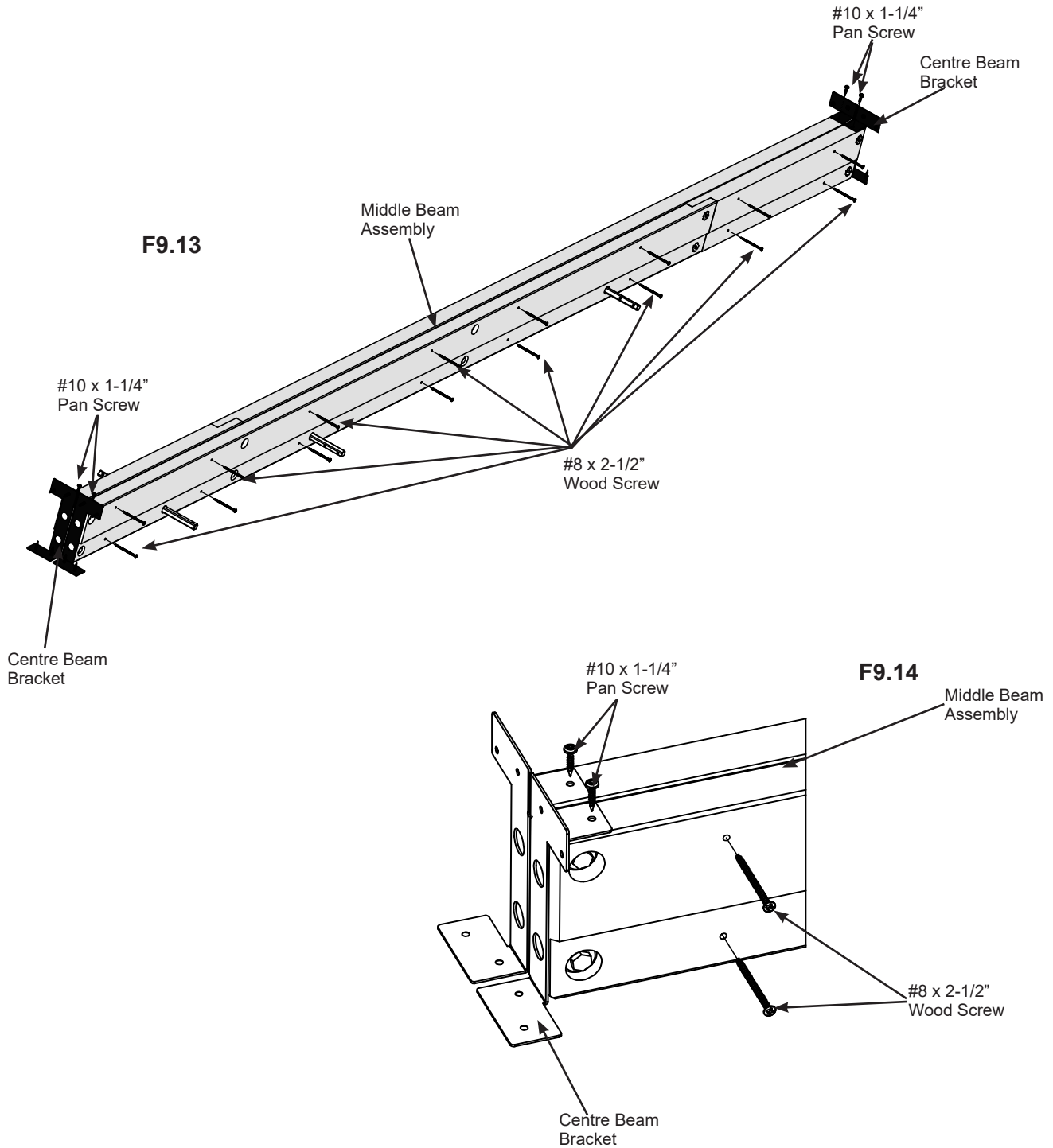
2 x Centre Beam Bracket

### Hardware

10 x 5/16 x 2-1/2" Hex Bolt  
 (5/16" lock washer, 5/16" flat washer,  
 5/16" t-nuts)

# Step 9: Middle Beam Assembly Part 5

**G:** Secure Middle Beam Assembly with 16 #8 x 2-1/2" Wood Screws and each Centre Beam Bracket with two #10 x 1-1/4" Pan Screws as shown in F9.13 and F9.14.



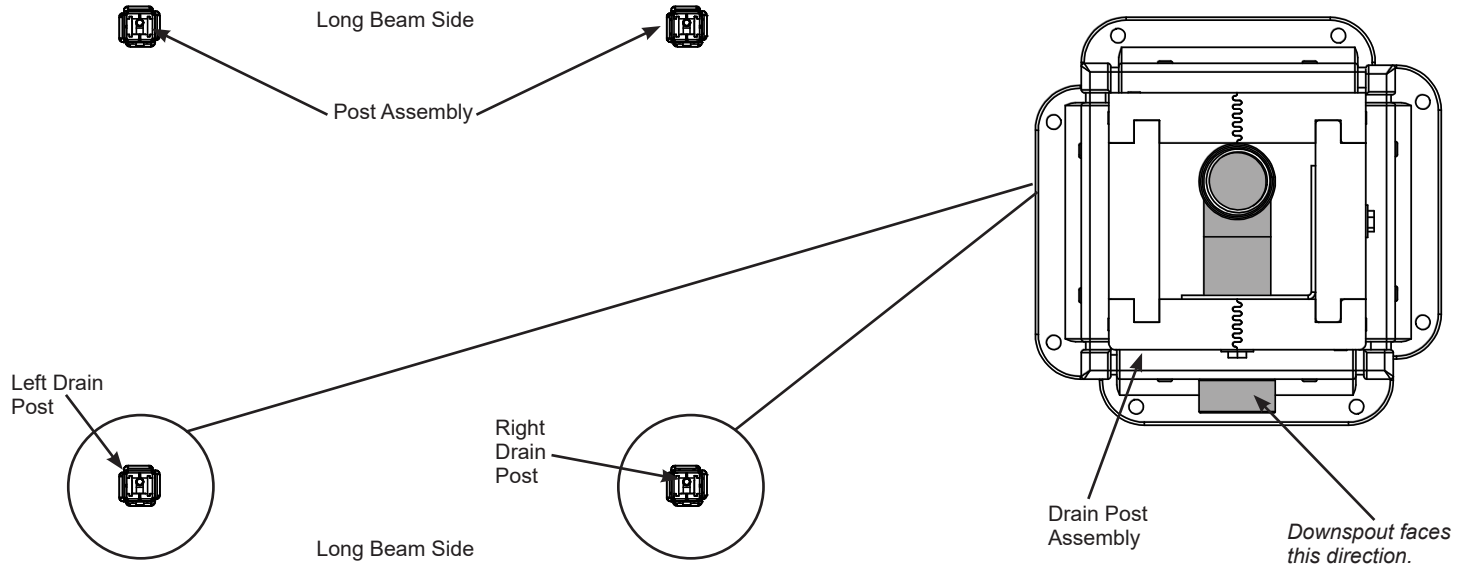
### Hardware

- 16 x #8 x 2-1/2" Wood Screw
- 4 x #10 x 1-1/4" Pan Screw

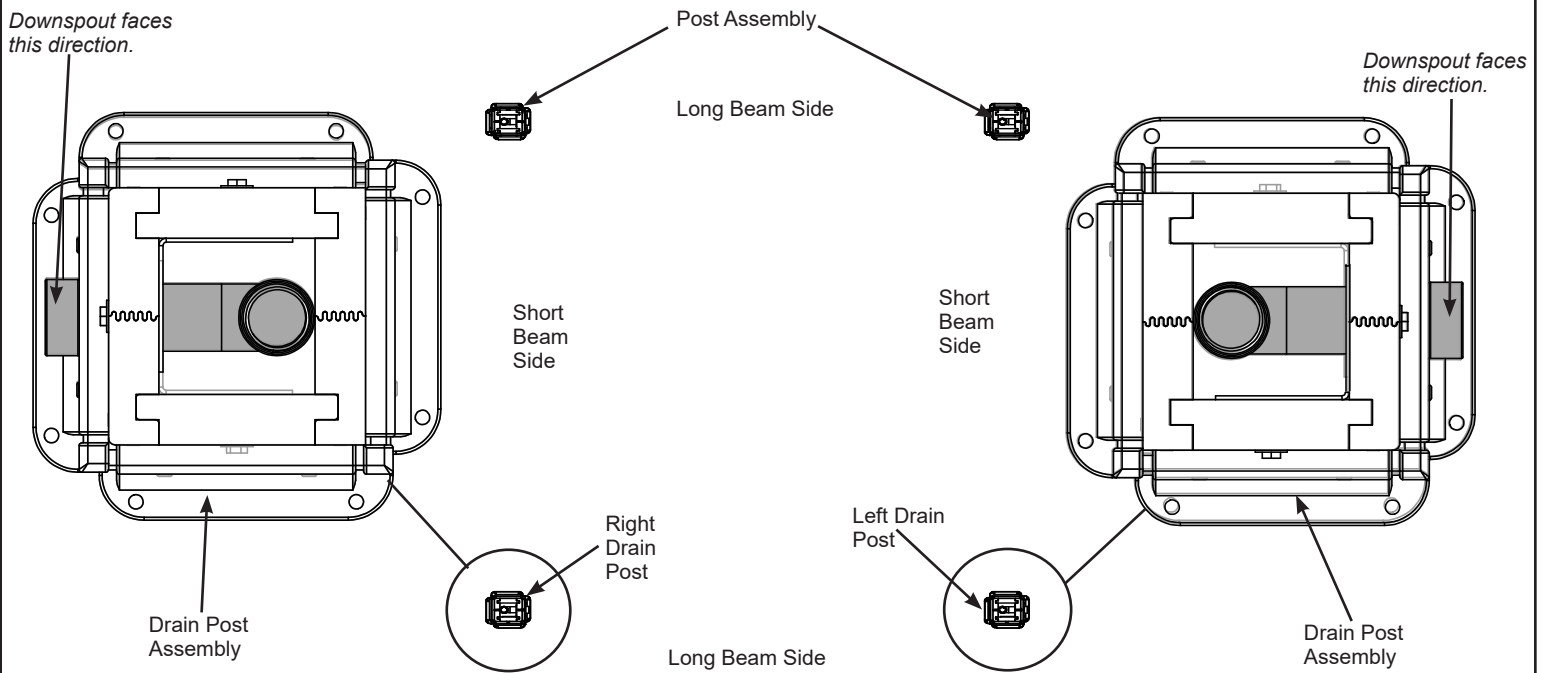
# Step 10: Post Placement

There are 2 options for the post placement. See Below:

**Option 1** shows the drains downspout exiting on the same Long Beam side. *This is the post placement which will be shown in the remaining assembly steps.*



**Option 2** shows the drains downspout exiting on opposite Short Beam sides.



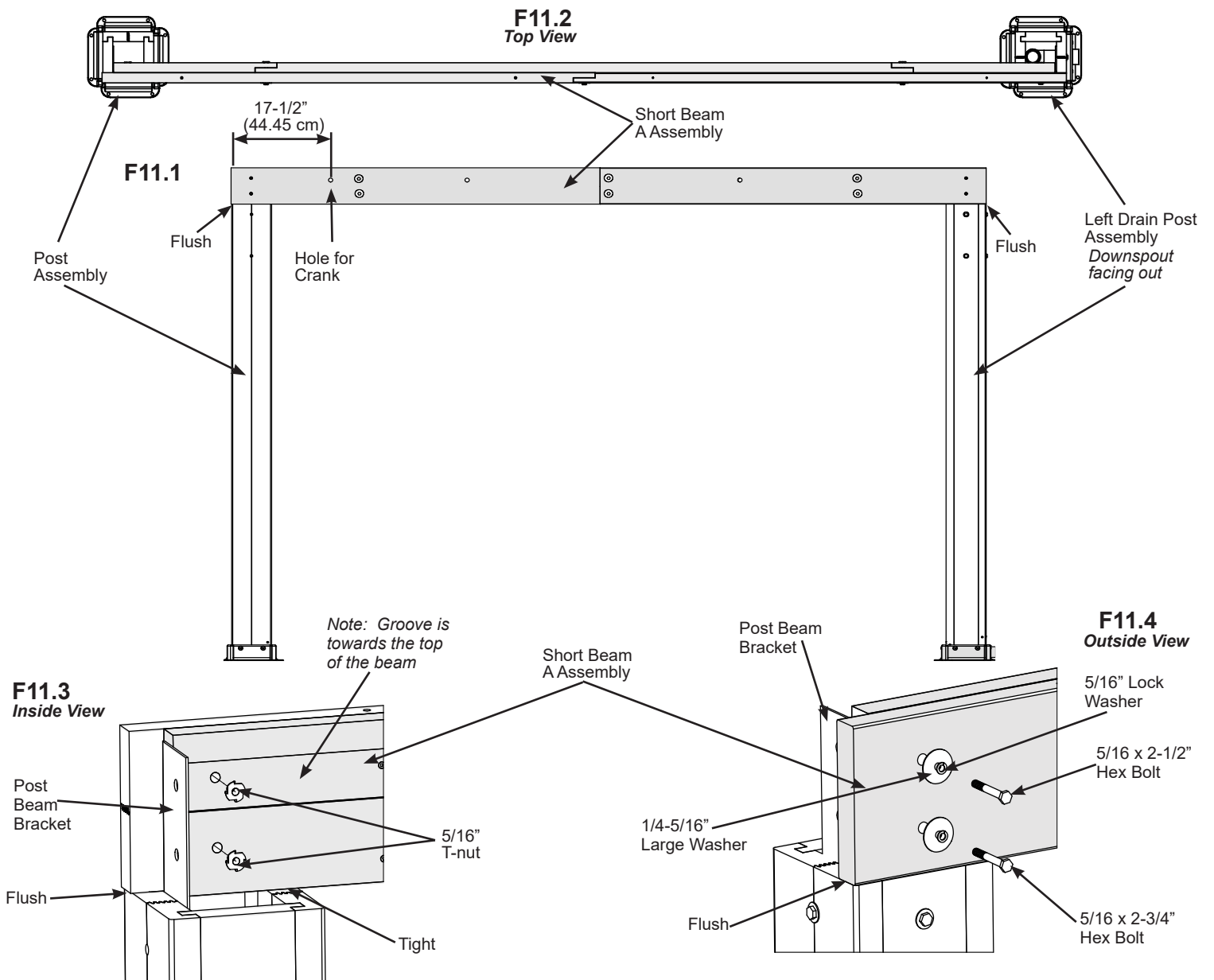
# Step 11: Short Beam/Post Assembly Part 1



**A:** At each end of the the Short Beam A Assembly, on the groove side, install two 5/16" T-nuts. (F11.3)

**B:** Slide Short Beam A Assembly onto Post Beam Brackets with groove towards the top, flush to the side of one Post Assembly and Left Drain Post Assembly. T-nuts face away from brackets and beam to be tight to top of posts. Notice the hole for the Crank Assembly is 17-1/2" (44.45 cm) from outside of the beam (on Post Assembly side). (F11.1, F11.2 and F11.3)

**C:** Make sure beam is square to posts then attach Short Beam A Assembly to brackets with two 5/16 x 2-1/2" Hex Bolts (with 5/16" lock washer and 1/4-5/16" large washer) in the top holes and two 5/16 x 2-3/4" Hex Bolts (with 5/16" lock washer and 1/4-5/16" large washer) in the bottom holes. The bolts will connect to the previously installed t-nuts. (F11.1, F11.2 and F11.4)



### Hardware

- 2 x 5/16 x 2-1/2" Hex Bolt  
(5/16" lock washer, 1/4-5/16" large washer, 5/16" t-nuts)
- 2 x 5/16 x 2-3/4" Hex Bolt  
(5/16" lock washer, 1/4-5/16" large washer, 5/16" t-nuts)

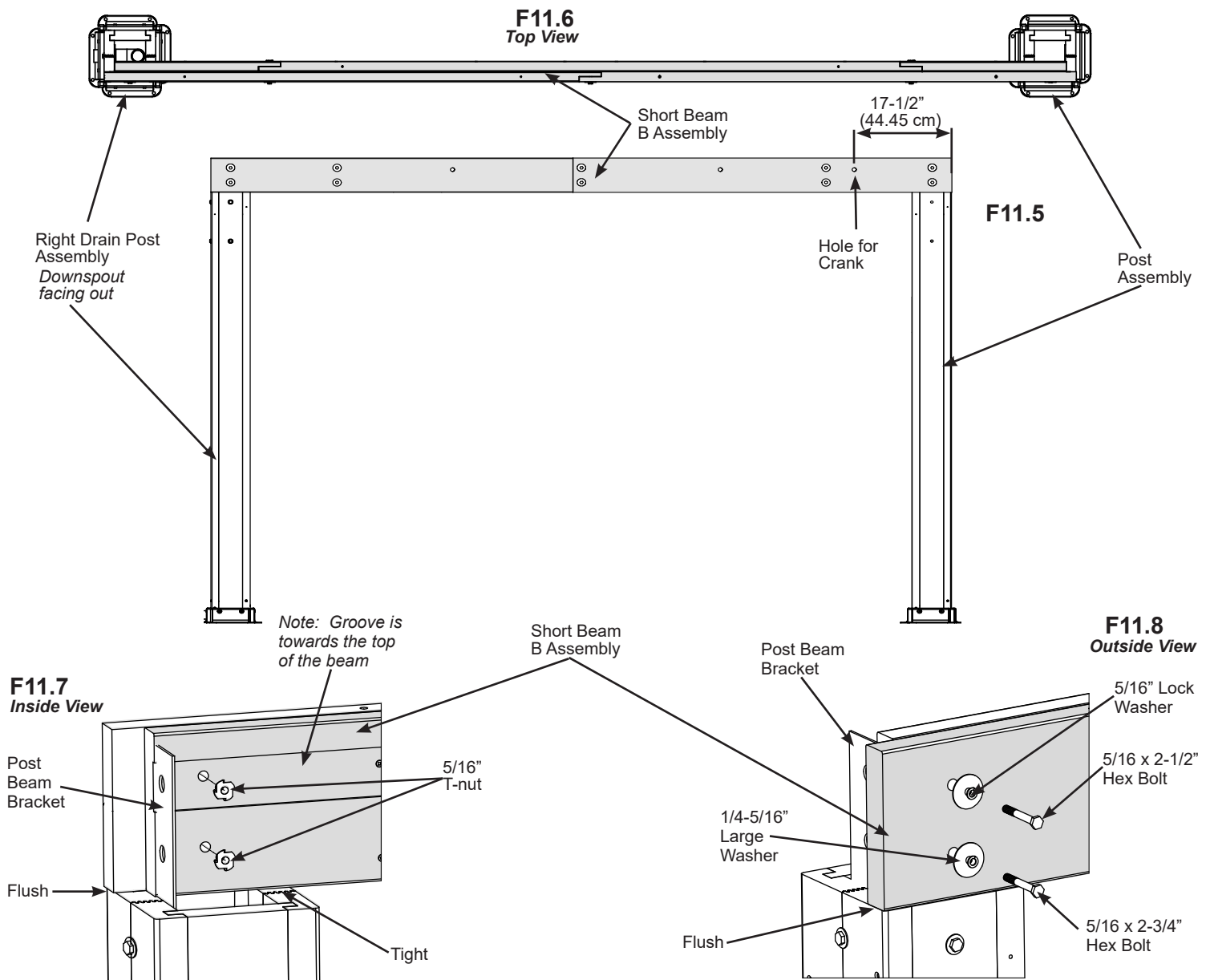
# Step 11: Short Beam/Post Assembly Part 2



**D:** At each end of the the Short Beam B Assembly, on the track groove side, install two 5/16" T-nuts. (F11.7)

**E:** Slide Short Beam B Assembly onto Post Beam Brackets with groove towards the top, flush to the side of one Post Assembly and Right Drain Post Assembly. T-nuts face away from brackets and beam to be tight to top of posts. Notice the hole for the Crank Assembly is 17-1/2" (44.45 cm) from outside of the beam (on Post Assembly side). (F11.5, F11.6 and F11.7)

**F:** Make sure beam is square to posts then attach Short Beam B Assembly to brackets with two 5/16 x 2-1/2" Hex Bolts (with 5/16" lock washer and 1/4-5/16" large washer) in the top holes and two 5/16 x 2-3/4" Hex Bolts (with 5/16" lock washer and 1/4-5/16" large washer) in the bottom holes. The bolts will connect to the previously installed t-nuts. (F11.5, F11.6 and F11.8)

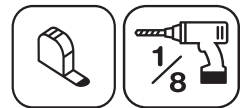


### Hardware

- 2 x 5/16 x 2-1/2" Hex Bolt  
(5/16" lock washer, 1/4-5/16" large washer, 5/16" t-nuts)
- 2 x 5/16 x 2-3/4" Hex Bolt  
(5/16" lock washer, 1/4-5/16" large washer, 5/16" t-nuts)



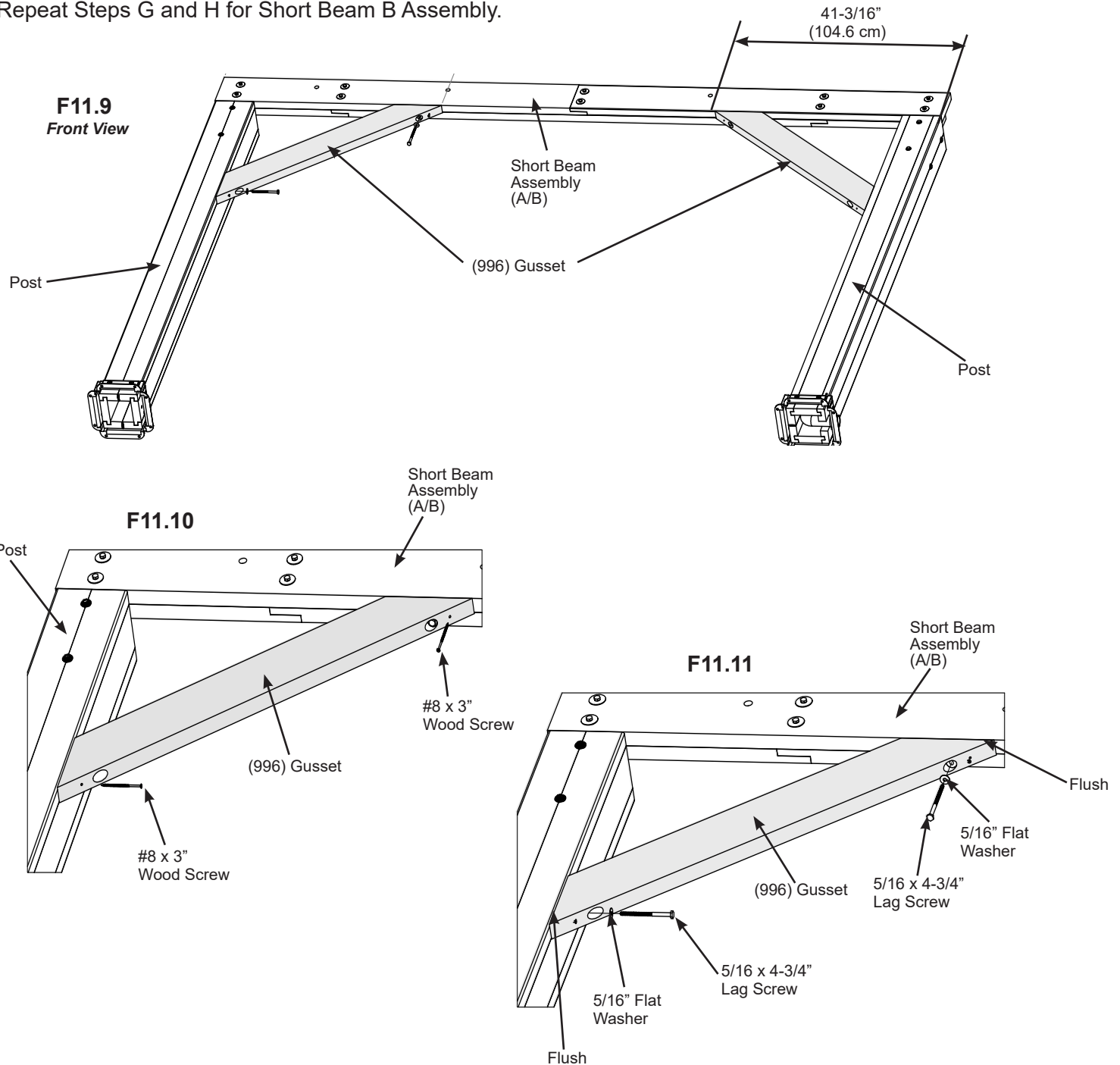
# Step 11: Short Beam/Post Assembly Part 3



**G:** Along Short Beam A Assembly measure 41-3/16" (104.6 cm) from the outside of the beam. Place one (996) Gusset flush to front of Short Beam Assembly at marked location and flush to the front of the post. Attach gusset to Short Beam A Assembly and post with two #8 x 3" Wood Screws. Pre-drill with a 1/8" drill bit then attach gusset with two 5/16 x 4-3/4" Lag Screws (with 5/16" flat washer). (F11.9, F11.10 and F11.11)

**H:** Repeat Step G for second (996) Gusset on Short Beam A Assembly.

**I:** Repeat Steps G and H for Short Beam B Assembly.



### Wood Parts

4 x (996) Gusset

### Hardware

8 x #8 x 3" Wood Screw

8 x 5/16 x 4-3/4" Lag Screw (5/16" flat washer)

# Step 12: Long Beam/Post Assembly Part 1

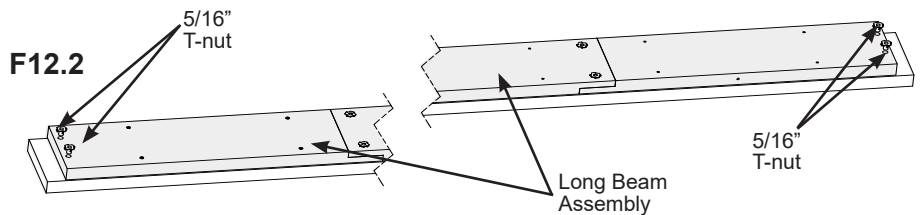
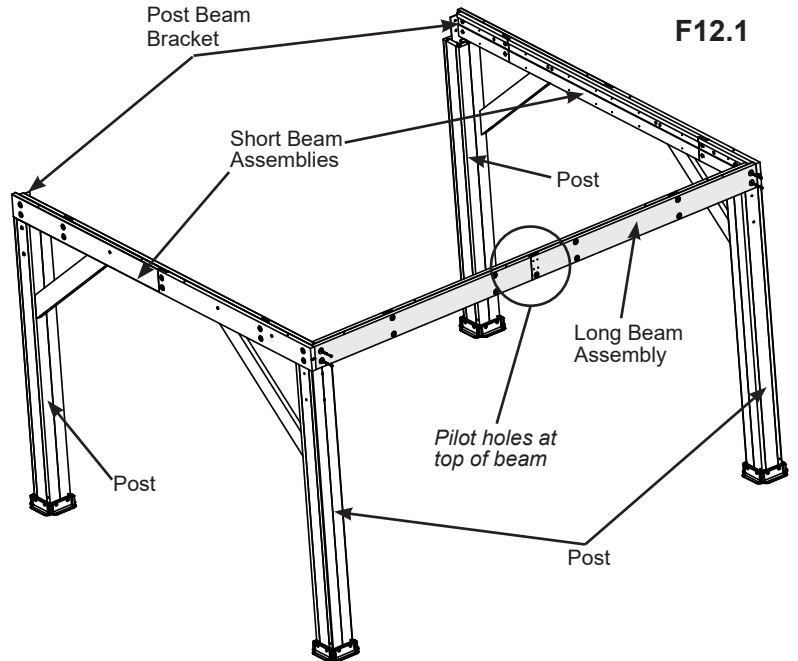


**Move Short Beam/Post Assemblies to the final location.**

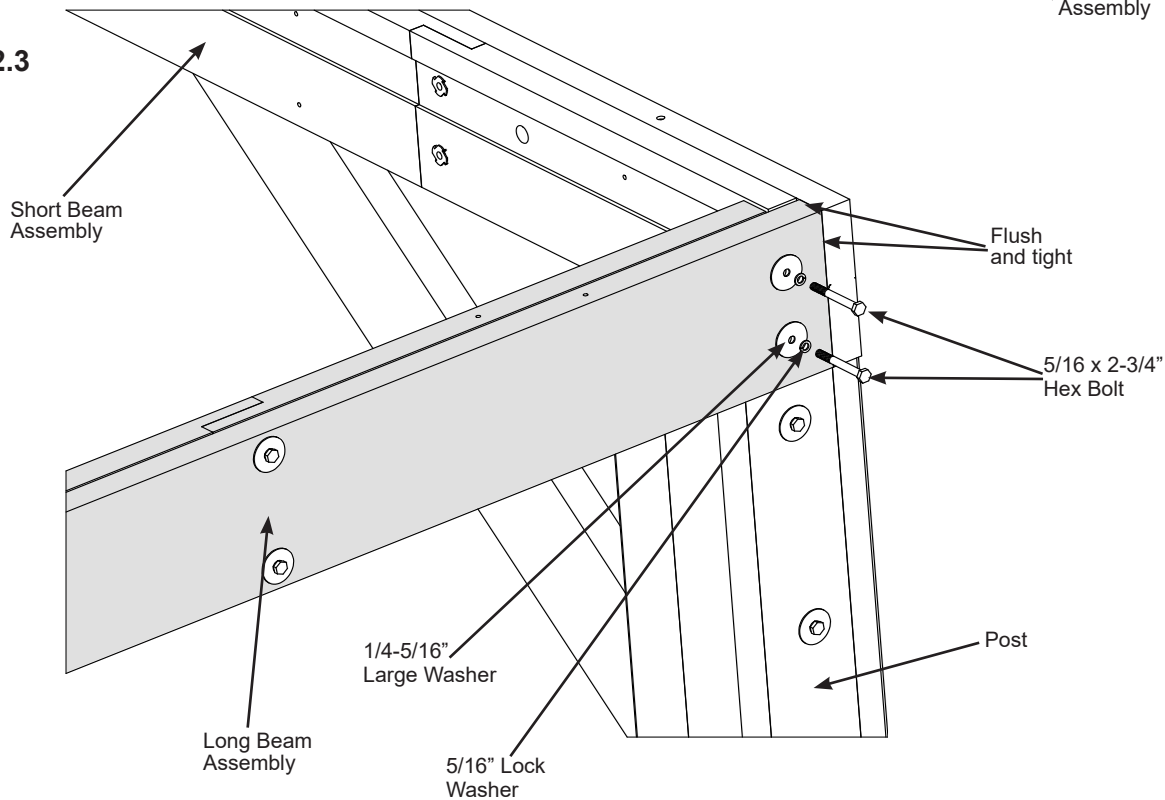
**A:** On both Long Beam Assemblies tap two 5/16" T-nuts into each end. T-nuts should be installed on the same side as previous t-nuts are installed. (F12.2)

**B:** With helpers stand up Short Beam/Post Assemblies then slide one Long Beam Assembly onto Post Beam Bracket, tight to Short Beam Assemblies and flush to the tops and outside corners of Short Beam Assemblies. Attach Long Beam Assembly to Post Beam Brackets with two 5/16 x 2-3/4" Hex Bolts (with 5/16" lock washer and 1/4-5/16" large washer) per corner. The bolts will connect to the previously installed t-nuts. (F12.1 and F12.3)

**Note: Four middle pilot holes to top of beam.**



**F12.3**



### Hardware

8 x 5/16 x 2-3/4" Hex Bolt  
(5/16" lock washer, 1/4-5/16" large washer, 5/16" t-nuts)

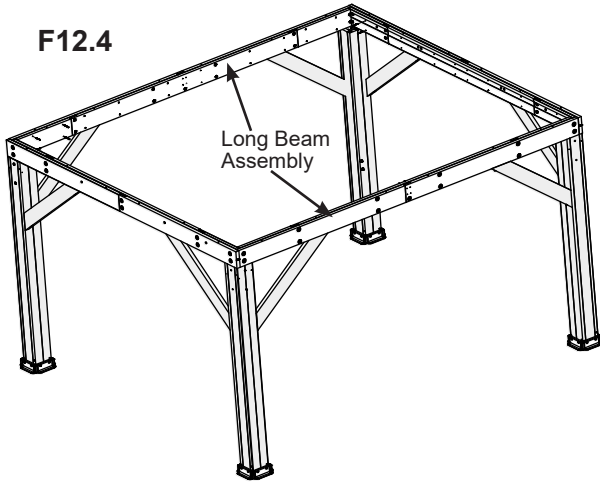
# Step 12: Long Beam/Post Assembly Part 2



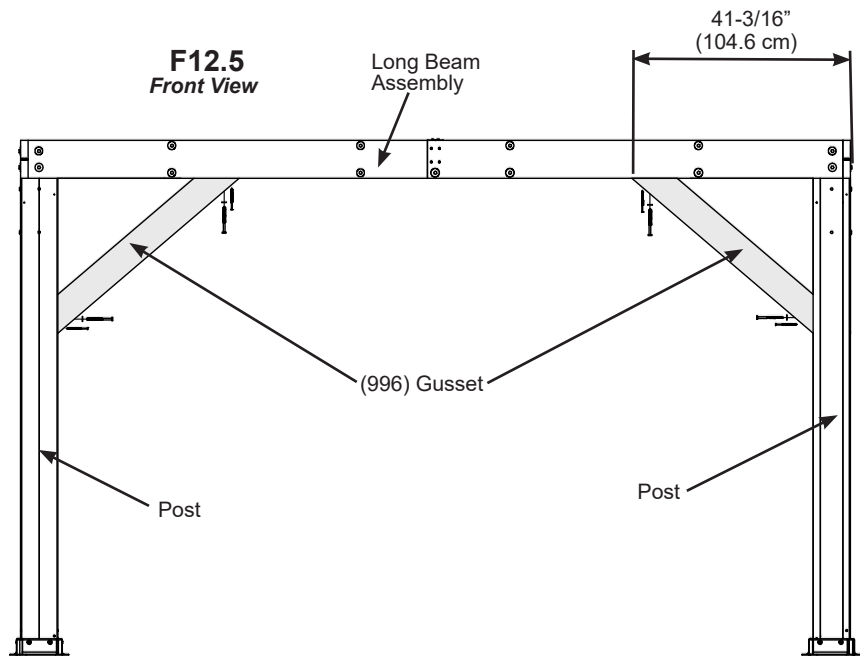
**C:** Make sure the assembly is square then along Long Beam Assembly measure 41-3/16" (104.6 cm) from the outside of the beam. Place one (996) Gusset flush to front of Long Beam Assembly at marked location and flush to the front of the post. Attach gusset to Long Beam Assembly and post with two #8 x 3" Wood Screws. Pre-drill with a 1/8" drill bit then attach gusset with two 5/16 x 4-3/4" Lag Screws (with 5/16" flat washer). (F12.4, F12.5 and F12.6)

**D:** Repeat Step C for second Long Beam Assembly.

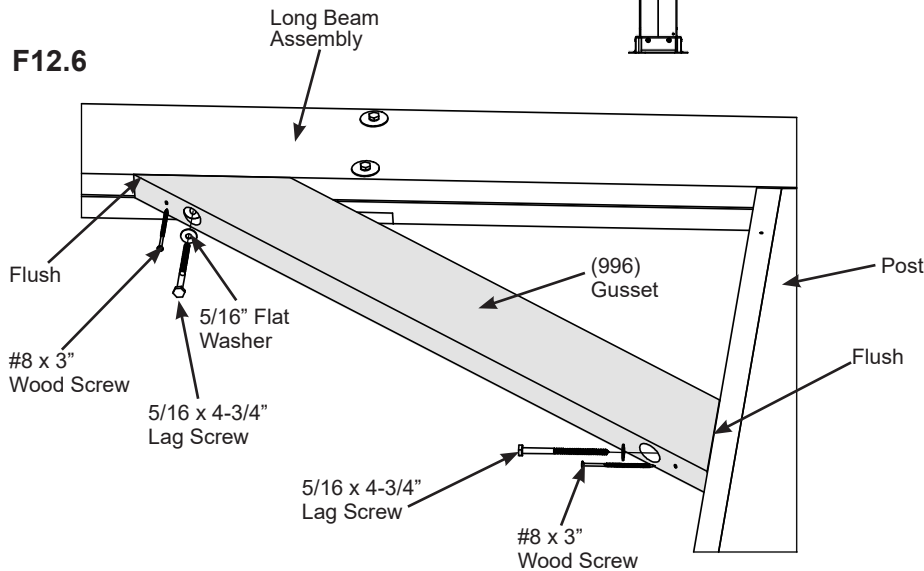
**F12.4**



**F12.5  
Front View**



**F12.6**



**Wood Parts**

4 x (996) Gusset

**Hardware**

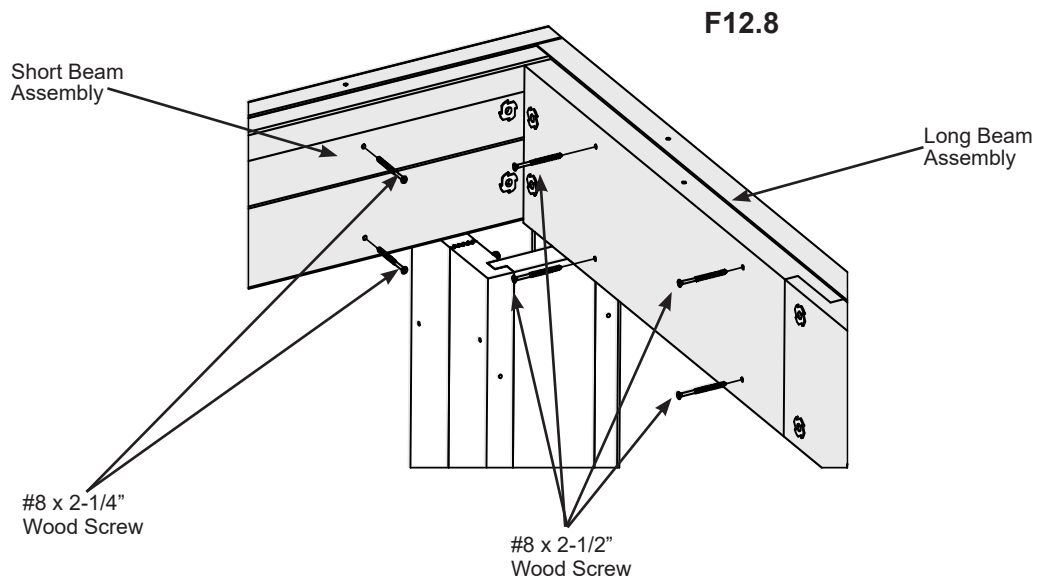
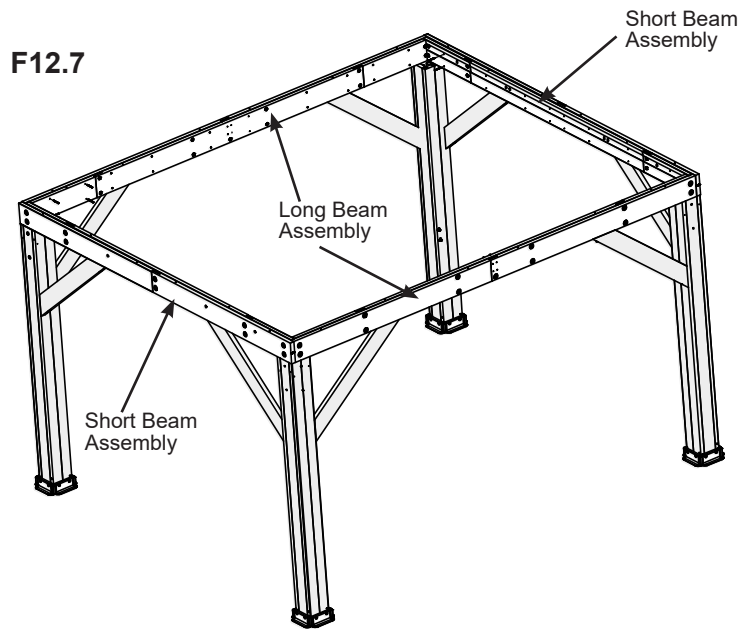
8 x #8 x 3" Wood Screw

8 x 5/16 x 4-3/4" Lag Screw (5/16" flat washer)

# Step 12: Long Beam/Post Assembly Part 3



E: From inside the assembly install two #8 x 2-1/4" Wood Screws to the ends of each Short Beam Assembly and four #8 x 2-1/2" Wood Screws to the ends of each Long Beam Assembly. (F12.7 and F12.8)



### Hardware

8 x #8 x 2-1/4" Wood Screw

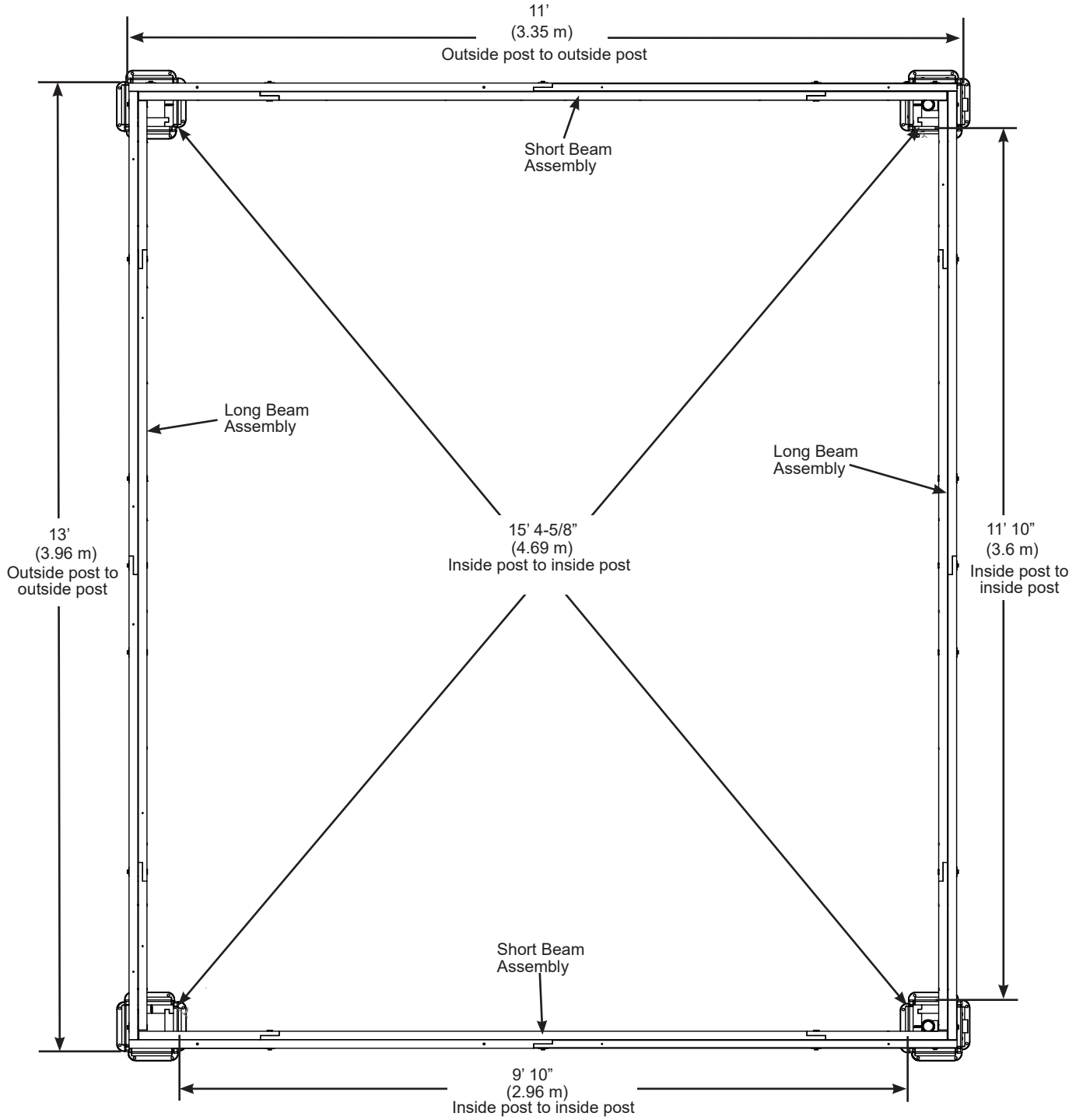
16 x #8 x 2-1/2" Wood Screw

# Step 13: Check Frame Dimensions



**A:** The diagonal distance between the inside of two posts should be  $184\text{-}5/8''$  (4.69 m) (measuring from posts not from Post Mounts. (F13.1)

**F13.1**

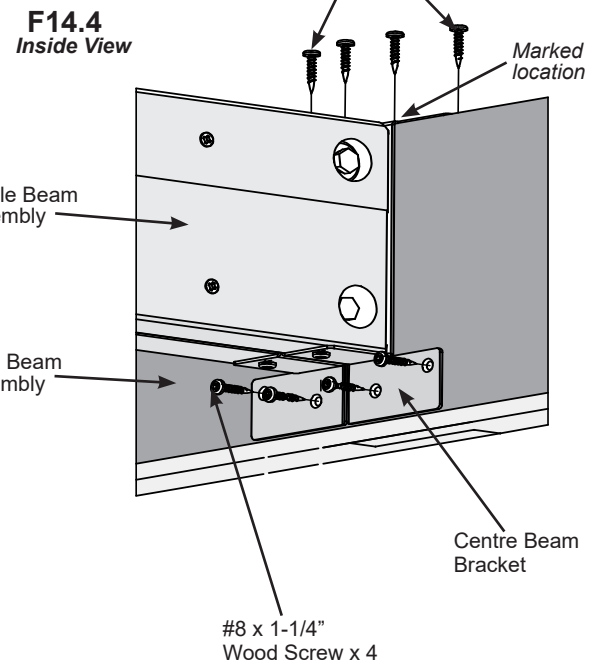
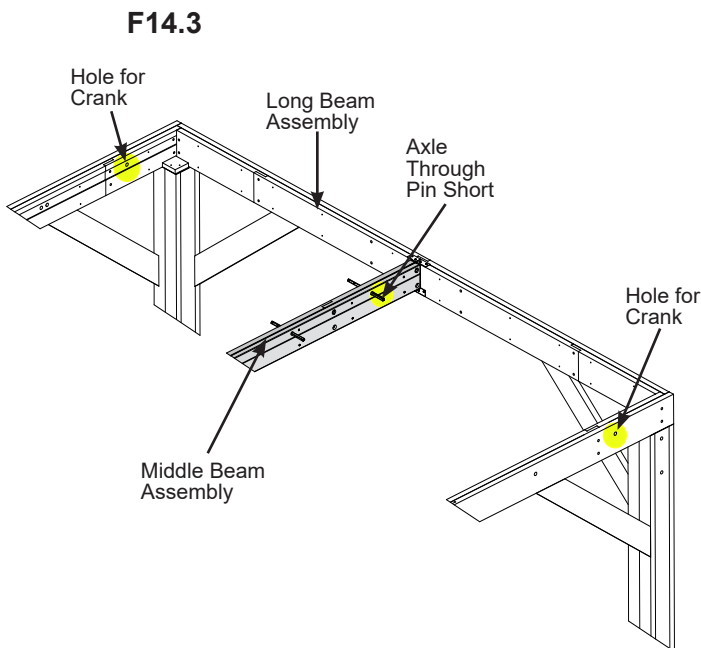
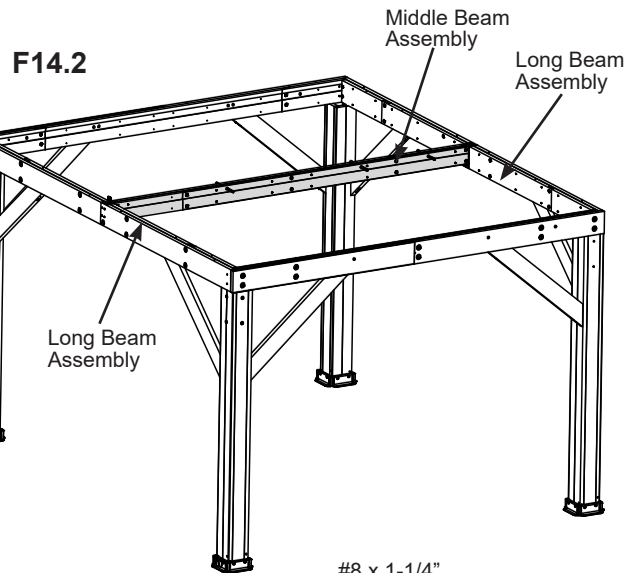
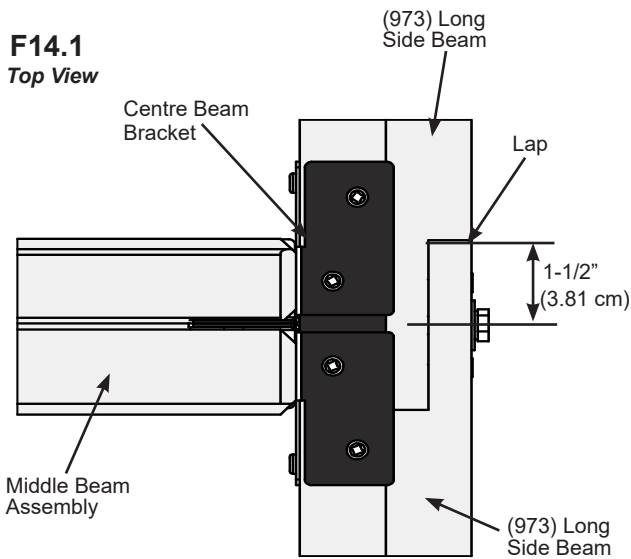


# Step 14: Attach Middle Beam Assembly Part 1



**A:** On each Long Beam Assembly, at the lap where two (973) Long Side Beams meet, measure 1-1/2" (3.81 cm) and mark the spot. (F14.1)

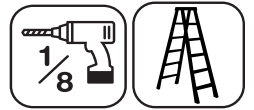
**B:** Place Middle Beam Assembly at the centre of each Long Beam Assembly so the middle of each Centre Beam Bracket line up with the previously marked location on the Long Beam Assembly. Make sure Axle Through Pin Shorts are at the top of the beam. They will be aligned with the holes for the Crank. Attach Centre Beam Brackets to Long Beam Assemblies with eight #8 x 1-1/4" Wood Screws per bracket. (F14.2, F14.3 and F14.4)



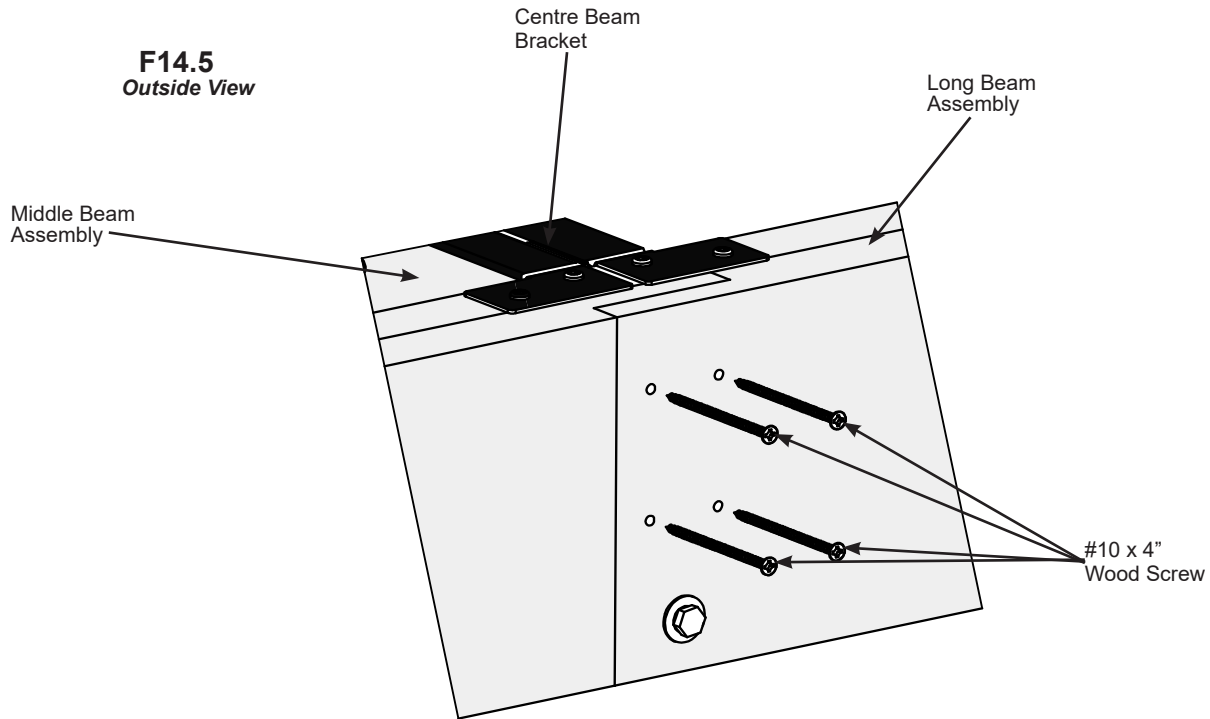
## Hardware

16 x #8 x 1-1/4" Wood Screw

# Step 14: Attach Middle Beam Assembly Part 2



**C:** Predrill with a 1/8" drill bit then attach Long Beam Assemblies to Middle Beam Assembly with four #10 x 4" Wood Screws per end. (F14.5)



### Hardware

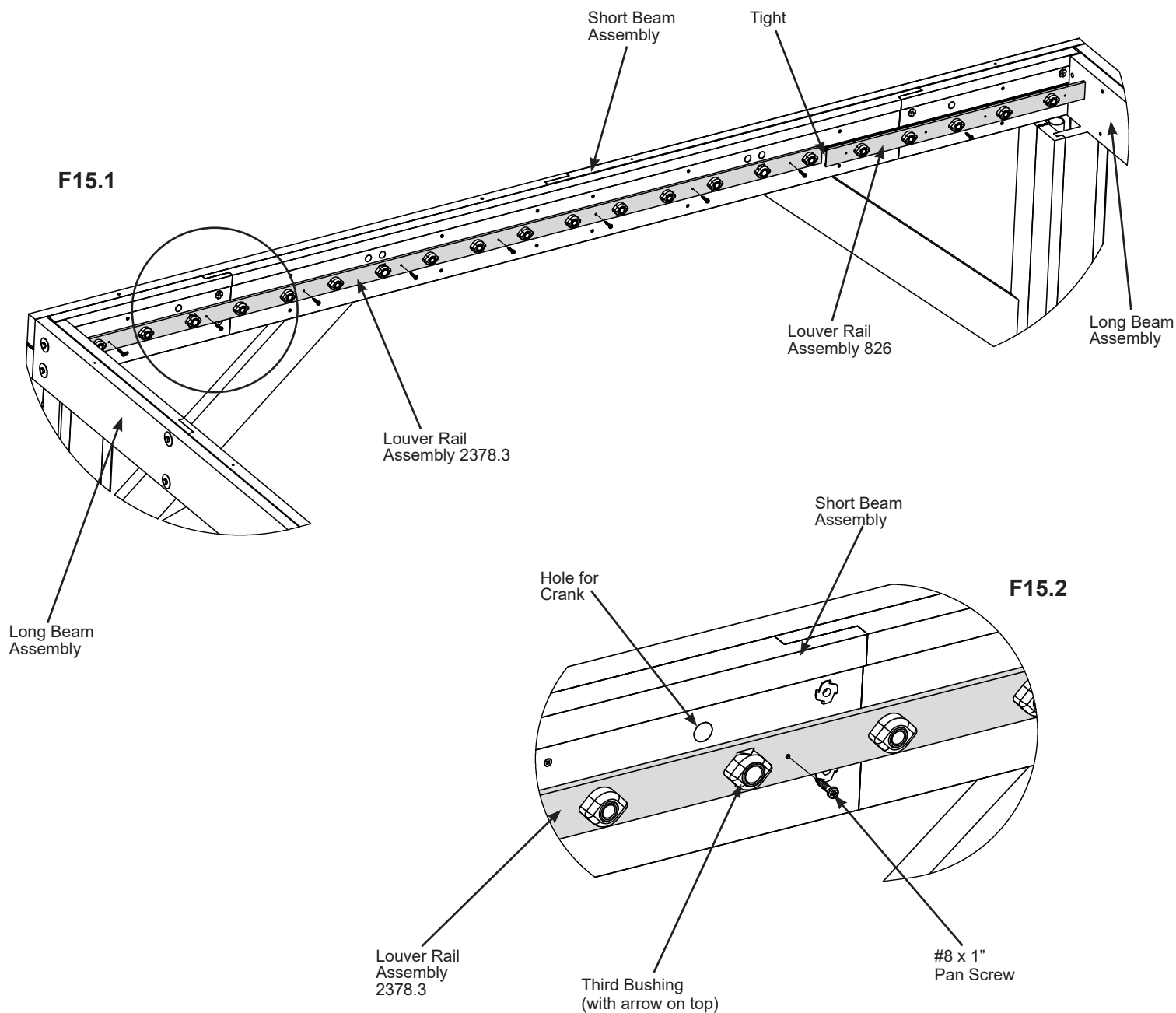
8 x #10 x 4" Wood Screw

# Step 15: Attach Louvered Rails Part 1



**A:** On the inside of each Short Beam Assembly, in the groove, place one Louver Rail Assembly 2378.3. Make sure the rail is oriented so the third bushing (with arrow on top) is lined up with the hole for the Crank. Attach to Short Beam Assembly with eight #8 x 1" Pan Screws. (F15.1 and F15.2)

**B:** Tight to each Louver Rail Assembly 2378.3 place one Louver Rail Assembly 826 then attach with four #8 x 1" Pan Screws. (F15.1 and F15.2)



### Components

2 x Louver Rail Assembly 2378.3  
2 x Louver Rail Assembly 826

### Hardware

24 x #8 x 1" Pan Screw

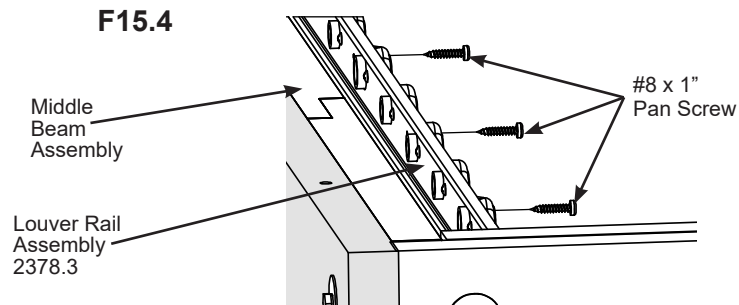
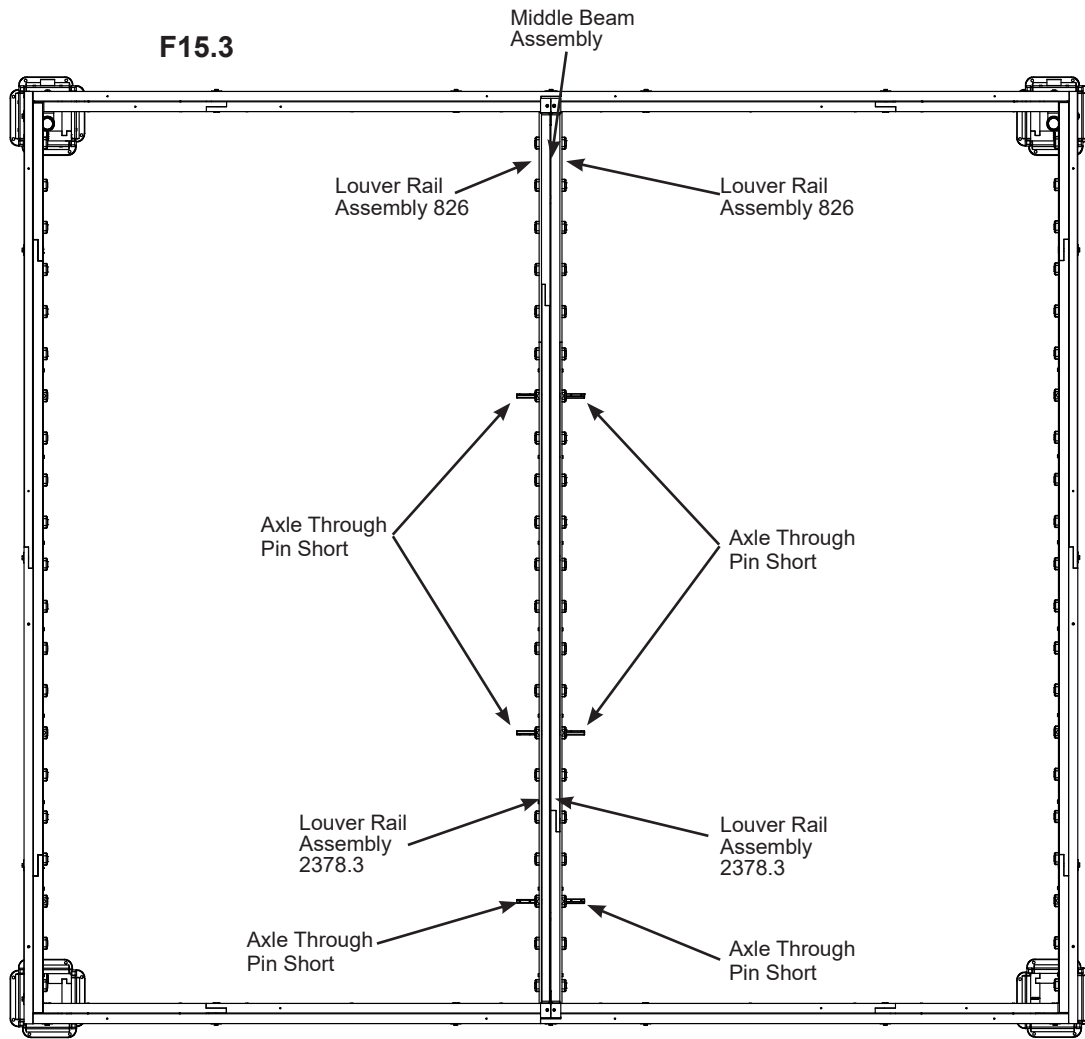


# Step 15: Attach Louvered Rails Part 2



**C:** On each side of the Middle Beam Assembly, in the groove, place one Louver Rail Assembly 2378.3. Make sure the rail is oriented so the three bushings (with arrow on top) are inserted over the three Axle Through Pin Shorts. Attach to Middle Beam Assembly with eight #8 x 1" Pan Screws. (F15.3 and F15.4)

**B:** Tight to each Louver Rail Assembly 2378.3 place one Louver Rail Assembly 826 then attach with four #8 x 1" Pan Screws. (F15.3 and F15.4)



### Components

2 x Louver Rail Assembly 2378.3  
2 x Louver Rail Assembly 826

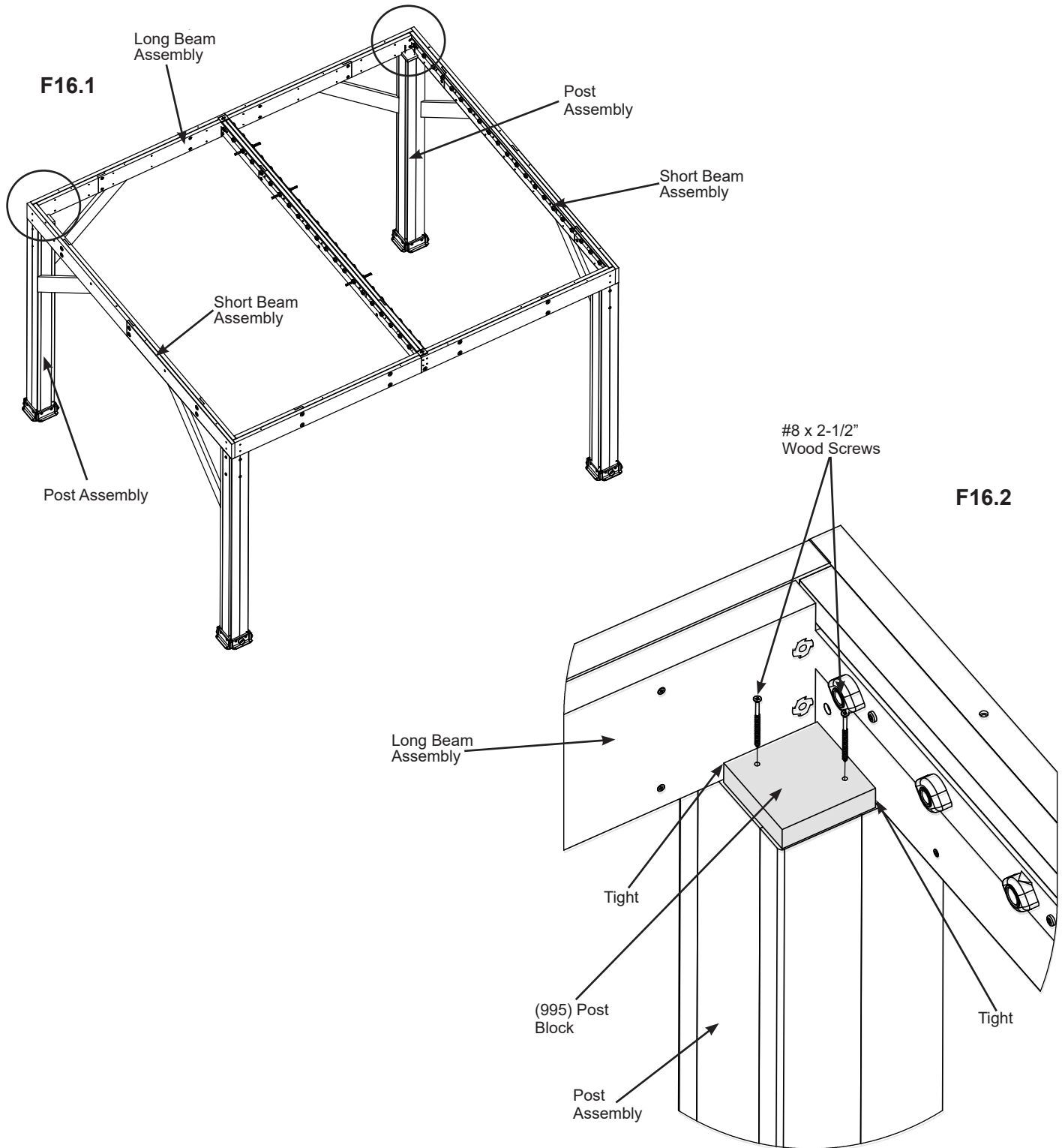
### Hardware

24 x #8 x 1" Pan Screw

# Step 16: Attach Post Blocks



**A:** On each Post Assembly (no downspout) place one (995) Post Block tight to the Long and Short Beam Assemblies. Attach each (995) Post Block to posts with two #8 x 2-1/2" Wood Screws. (F16.1 and F16.2)



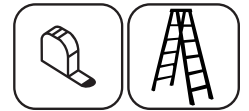
### Wood Parts

2 x (995) Post Block

### Hardware

4 x #8 x 2-1/2" Wood Screw

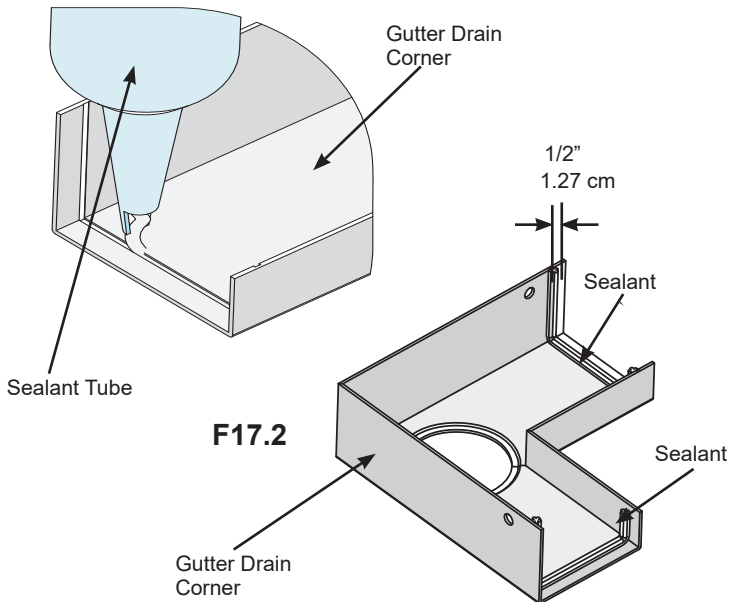
# Step 17: Attach Gutter Drain Corners



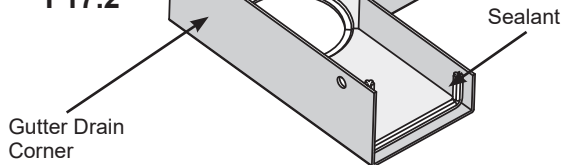
**A:** Measure approximately 1/2" (1.27 cm) in from both edges of each Gutter Drain Corner then apply a small bead of sealant, as shown in F17.1 and F17.2.

**B:** On each Drain Post Assembly place one Gutter Drain Corner so it fits in the Downspout Assembly tight to the Long and Short Beam Assemblies. Do not attach at this step. (F17.3 and F17.4)

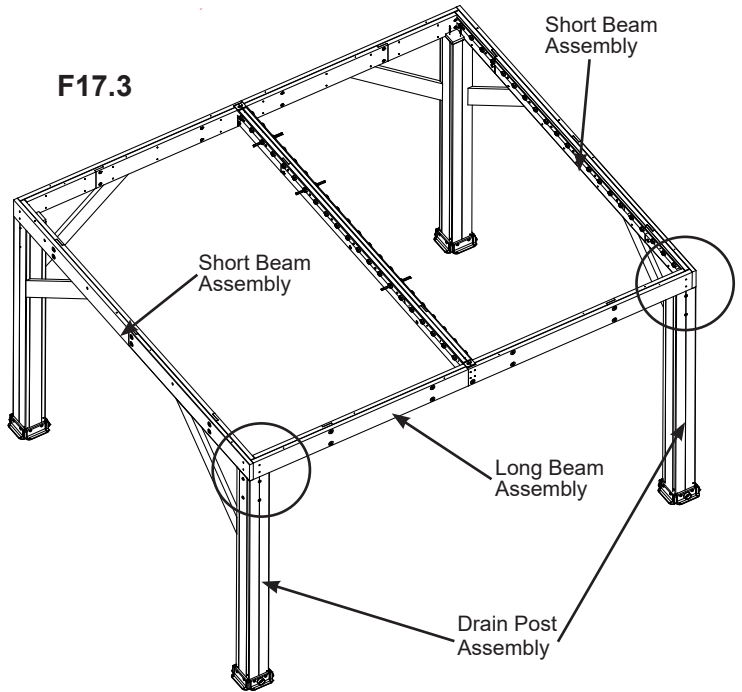
F17.1



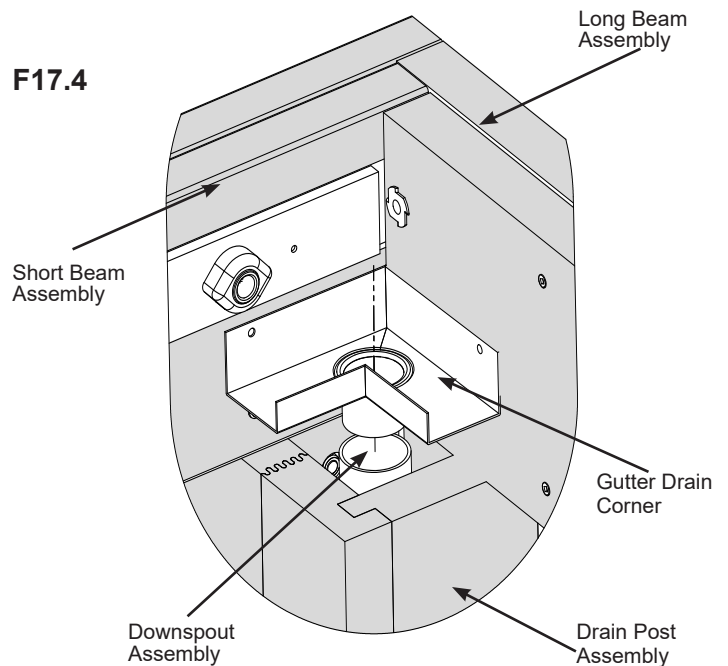
F17.2



F17.3



F17.4



**Note:** All surfaces to be clean, dry, dust and grease free before application with temperatures above 5°C (41°F), no warmer than 35°C (95°F).

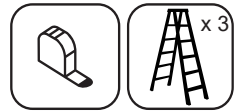
- Remove cap and cut a small piece off the nozzle for a small bead.
- Apply sealant in small beads and smooth as required.
- Clean excess with a cloth or paper towel before it skins over.
- Always wear safety glasses and rubber gloves when using product.

**See page 6 for Warning and First Aid Information.**

## Components

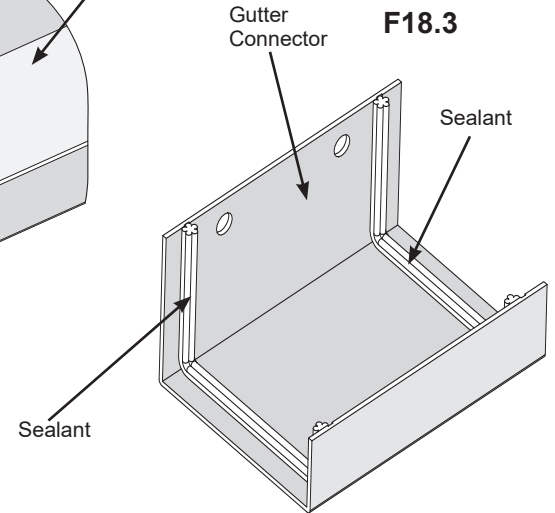
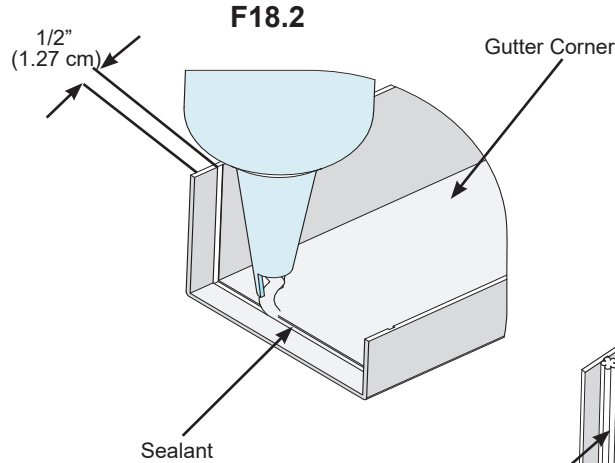
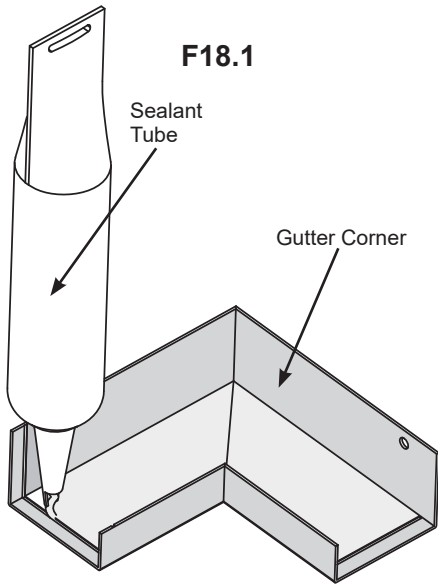
- 2 x Gutter Drain Corner
- Sealant

# Step 18: Rain Gutter Assembly Part 1

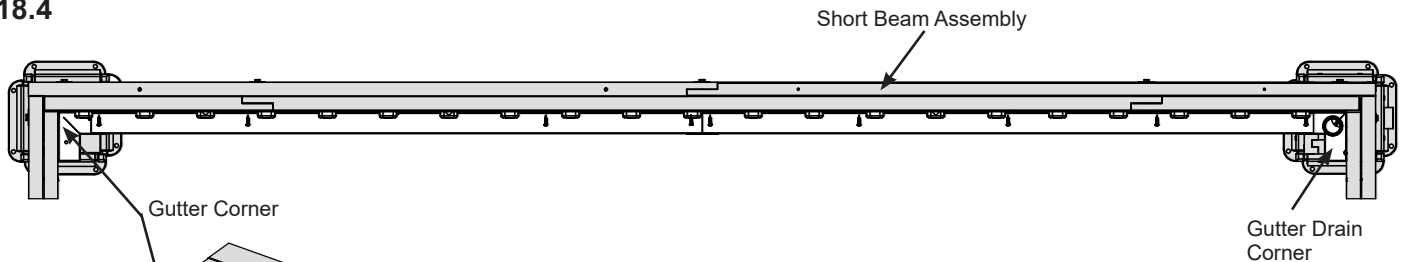


**A:** Measure approximately 1/2" (12.7 mm) in from both edges of three Gutter Corners and two Gutter Connectors then apply a small bead of sealant, as shown in F18.1, F18.2 and F18.3.

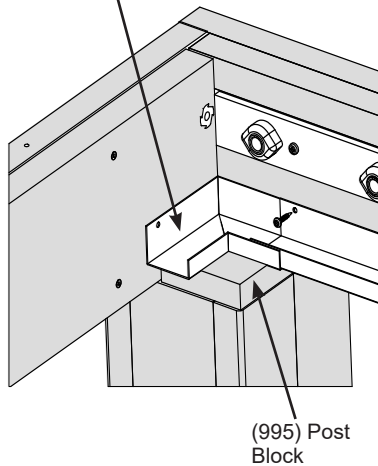
**B:** Place Gutter Corner on one (995) Post Block tight to the Long and Short Beam Assemblies. (F18.4 and 18.5)



**F18.4**



**F18.5**



**Note:** All surfaces to be clean, dry, dust and grease free before application with temperatures above 5°C (41°F), no warmer than 35°C (95°F).

- Apply sealant in small beads and smooth as required.
- Clean excess with a cloth or paper towel before it skins over.
- Always wear safety glasses and rubber gloves when using product.

**See page 6 for Warning and First Aid Information.**

### Components

- 6 x Gutter Corner
- 4 x Gutter Connector
- Sealant

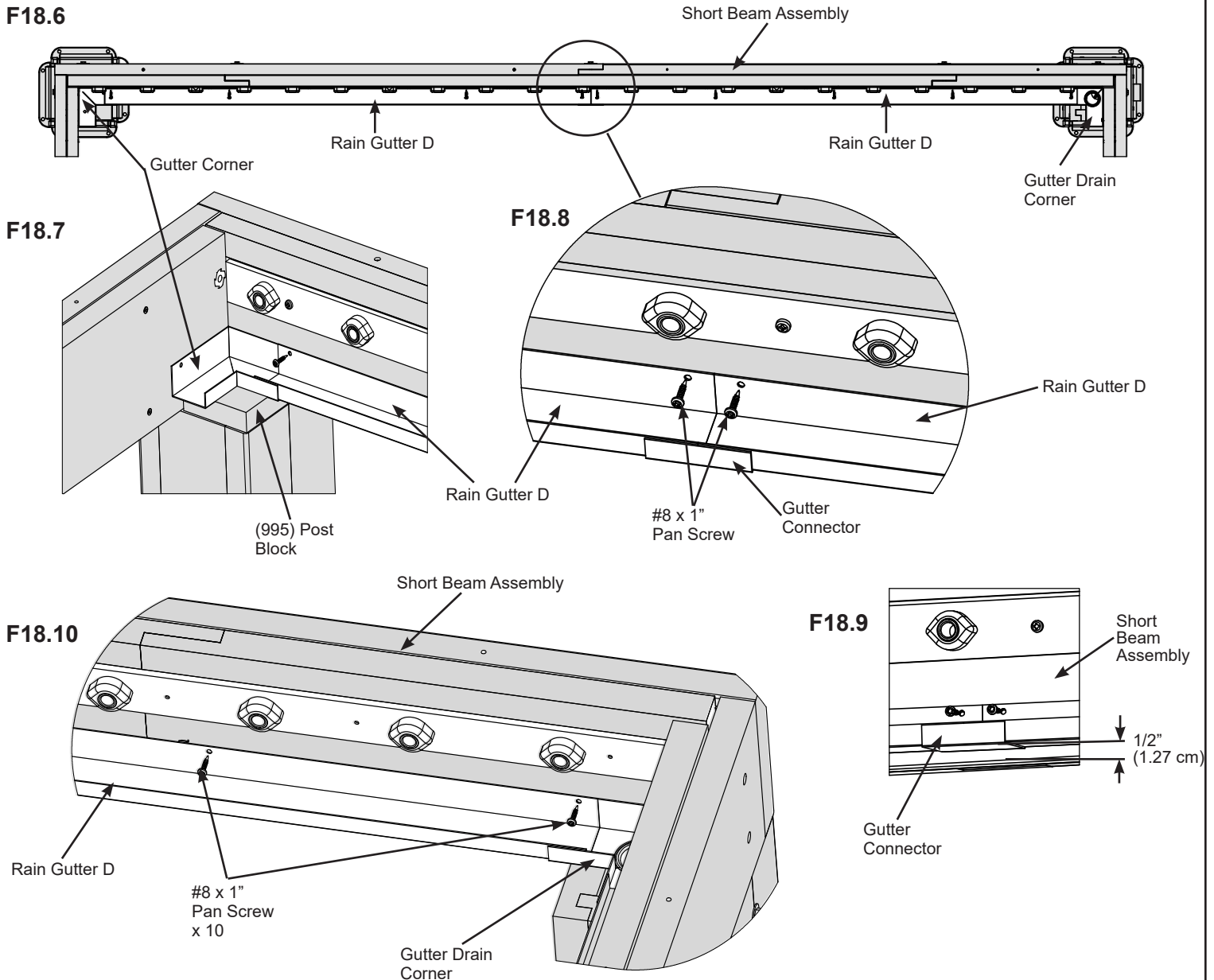
# Step 18: Rain Gutter Assembly Part 2



**C:** Slide one Rain Gutter D into Gutter Corner along the Short Beam Assembly then place one Gutter Connector at the end of Rain Gutter D. Gutter Connector to sit 1/2" (1.27 cm) up from bottom of beam. (F18.6, F18.7, F18.8 and F18.9)

**D:** Slide one Rain Gutter D into Gutter Drain Corner along the Short Beam Assembly and into Gutter Connector. (F18.6, F18.8 and F18.10).

**E:** Attach, Rain Gutters to Short Beam Assembly with 10 #8 x 1" Pan Screws. (F18.6, F18.7, F18.8 and F18.10)



### Components

4 x Rain Gutter D

### Hardware

20 x #8 x 1" Pan Screw

# Step 18: Rain Gutter Assembly Part 3

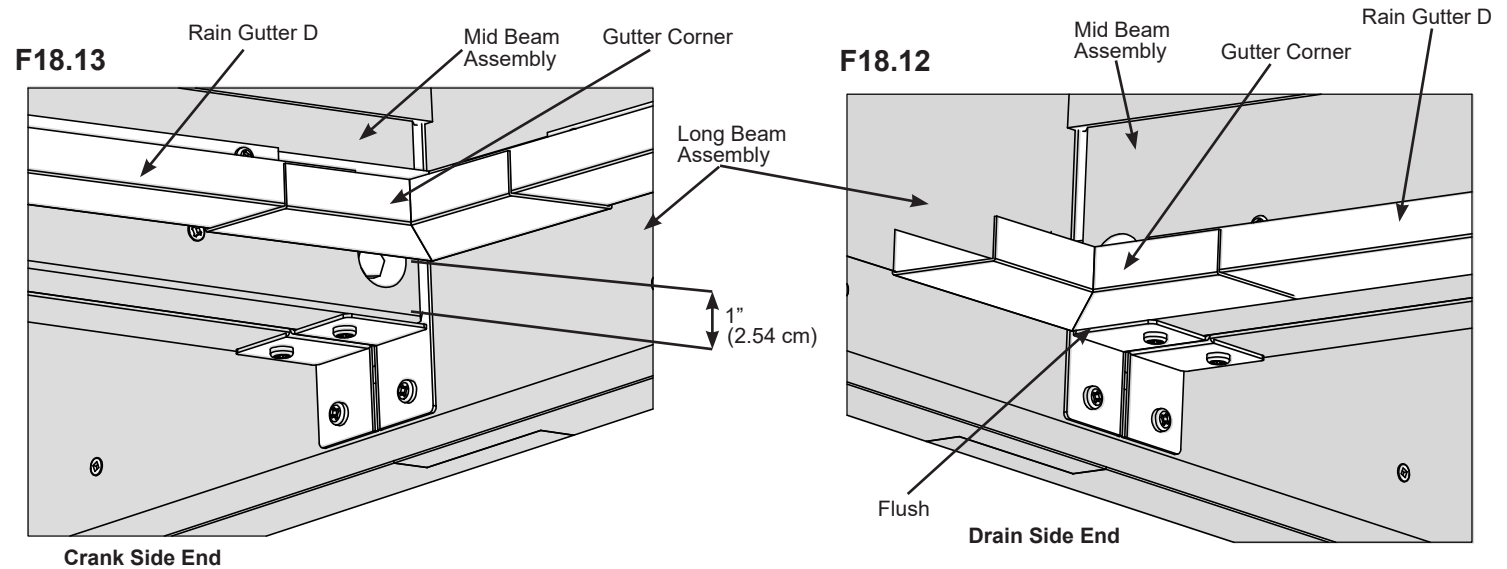
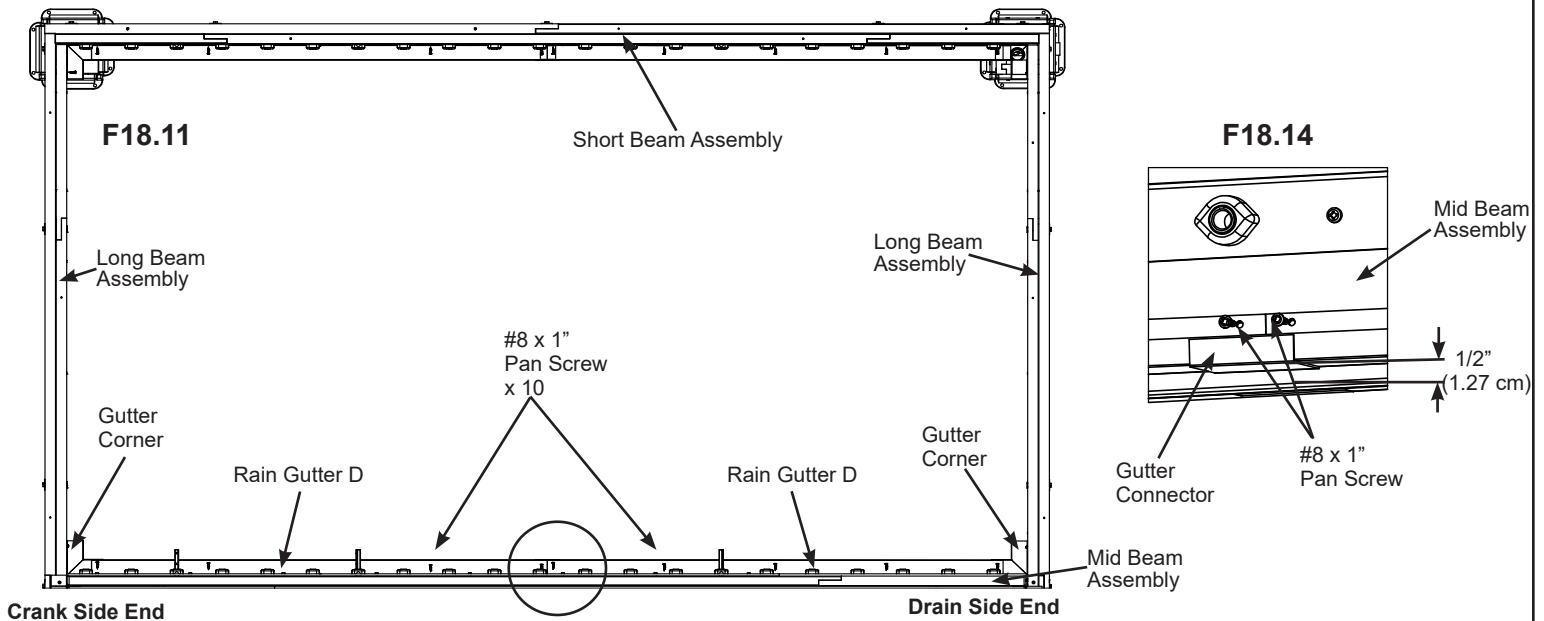


**F:** On the drain end side of the Mid Beam Assembly place one Gutter Corner flush to the bottom of the beam. Have one helper hold it in place. (F18.11 and F18.12)

**G:** On the crank end side of the Mid Beam Assembly measure 1" (2.54 cm) up from the bottom of the beam and place one Gutter Corner. Have one helper hold it in place. (F18.11 and F18.13)

**H:** Slide one Rain Gutter D into each Gutter Corner along the Mid Beam Assembly with a Gutter Connector in the middle as done for the Small Beam Assembly. Gutter Connector to sit 1/2" (1.27 cm) up from bottom of beam. (F18.11, F18.12, F18.13 and F18.14)

**I:** Attach, Rain Gutters to Mid Beam Assembly with 10 #8 x 1" Pan Screws. (F18.11 and F18.14)



### Components

4 x Rain Gutter D  
2 x Gutter Connector

### Hardware

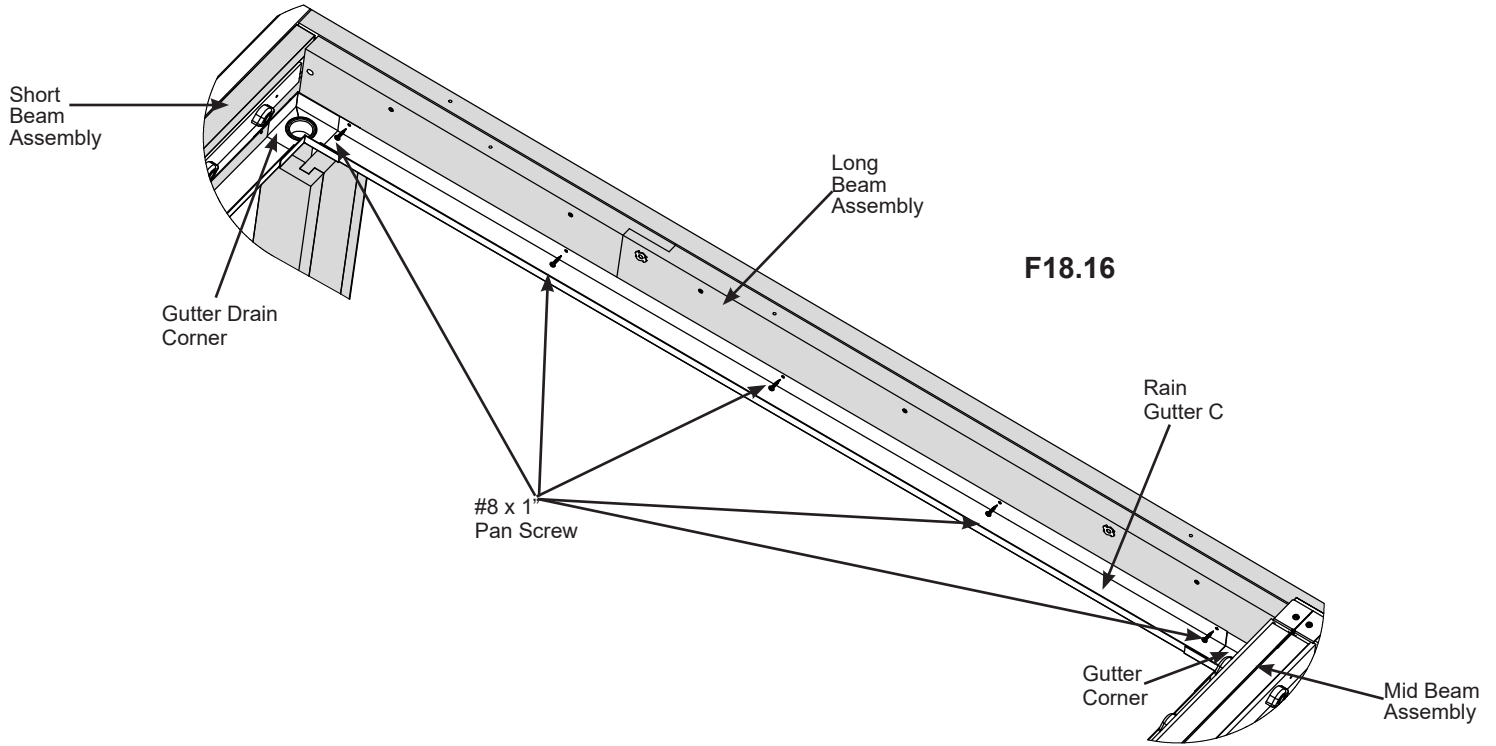
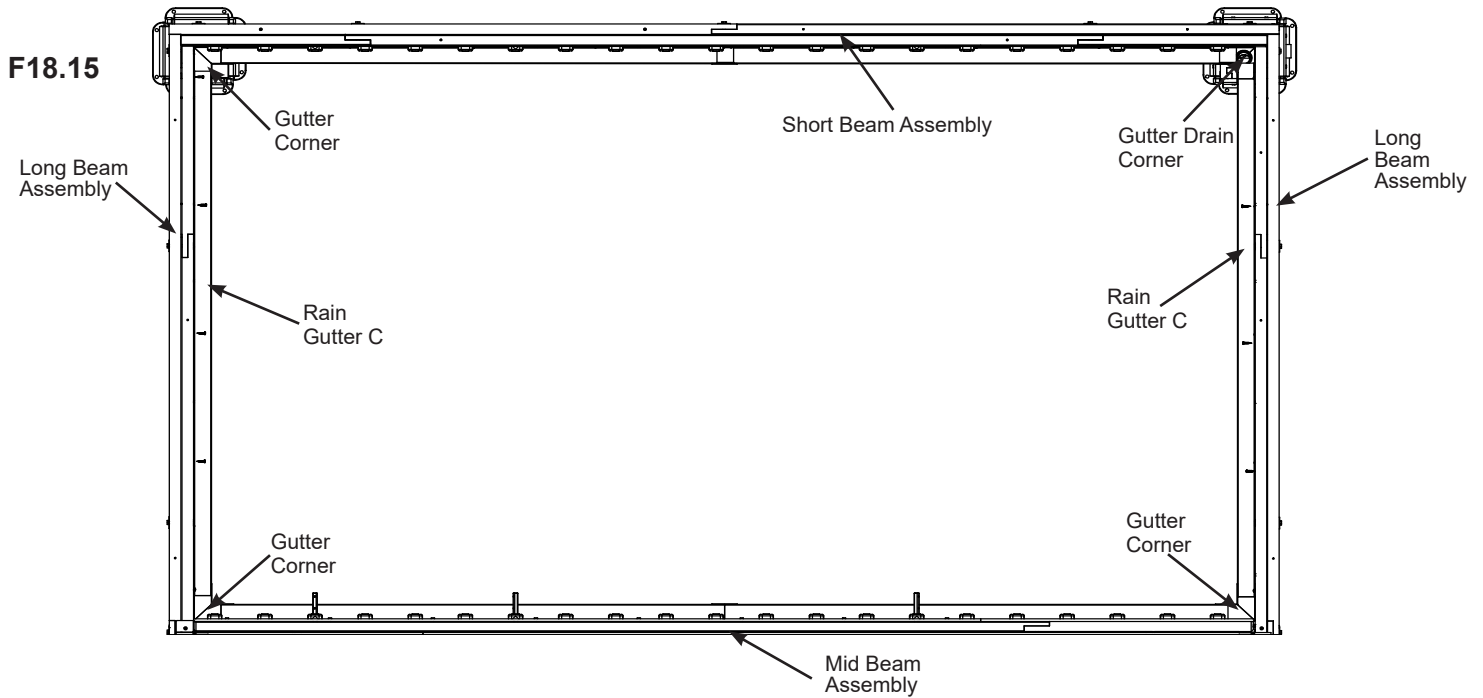
20 x #8 x 1" Pan Screw

# Step 18: Rain Gutter Assembly Part 4



**J:** On each Long Beam Assembly slide one Rain Gutter C into each Gutter Corner and Gutter Drain Corner then attach with five #8 x 1" Pan Screws. (F18.15 and F18.16)

**K:** Repeat Steps A - J for second side of the assembly.



**Components**

4 x Rain Gutter C

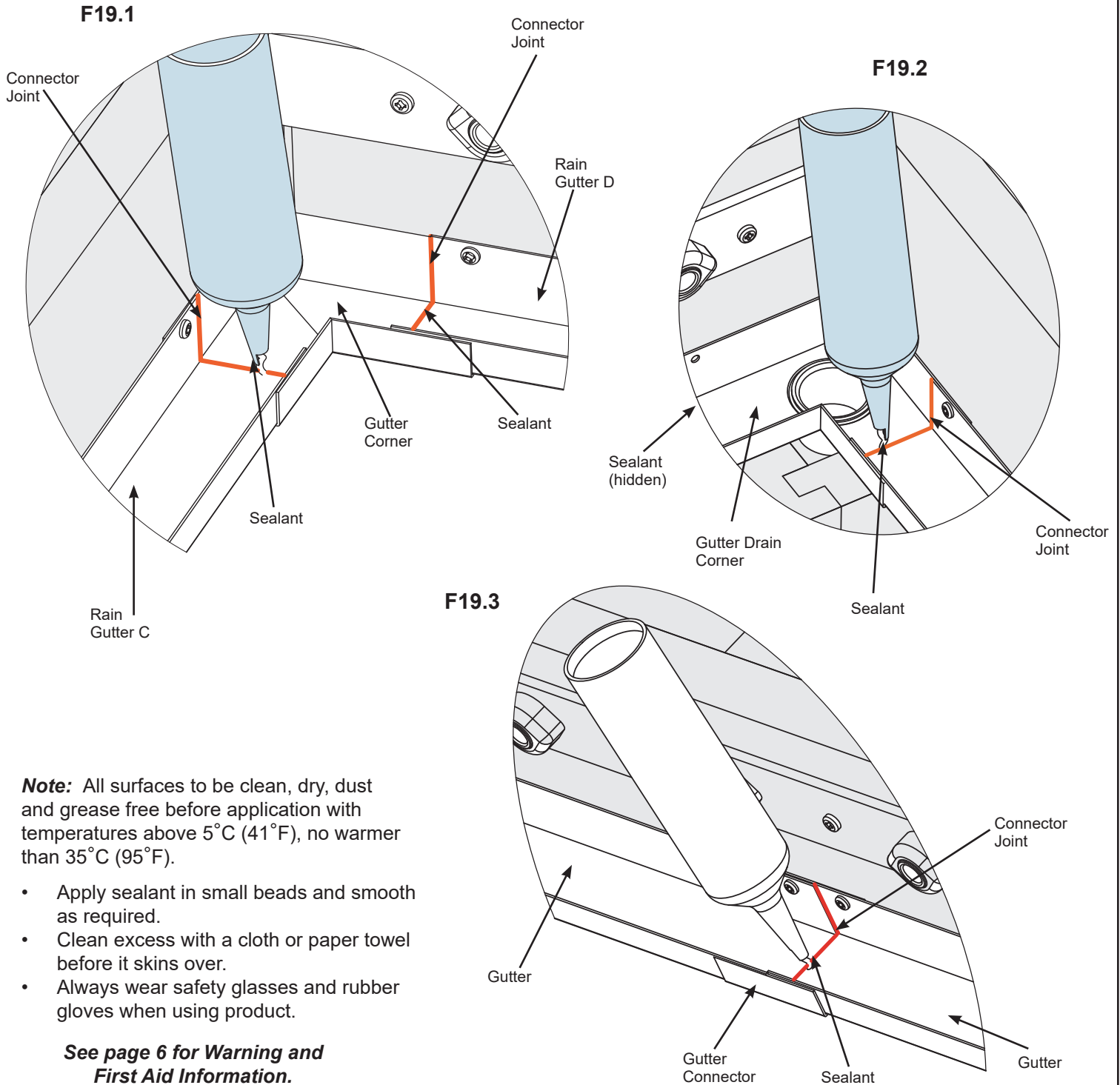
**Hardware**

20 x #8 x 1" Pan Screw

# Step 19: Apply Sealant Part 1



**A:** At each end of Rain Gutter C and Rain Gutter D apply a small, evenly distributed bead of sealant over the connector joints. Smooth sealant into the joint so it forms a continuous, water-tight seal. (F19.1, F19.2 and F19.3)



## Components

Sealant

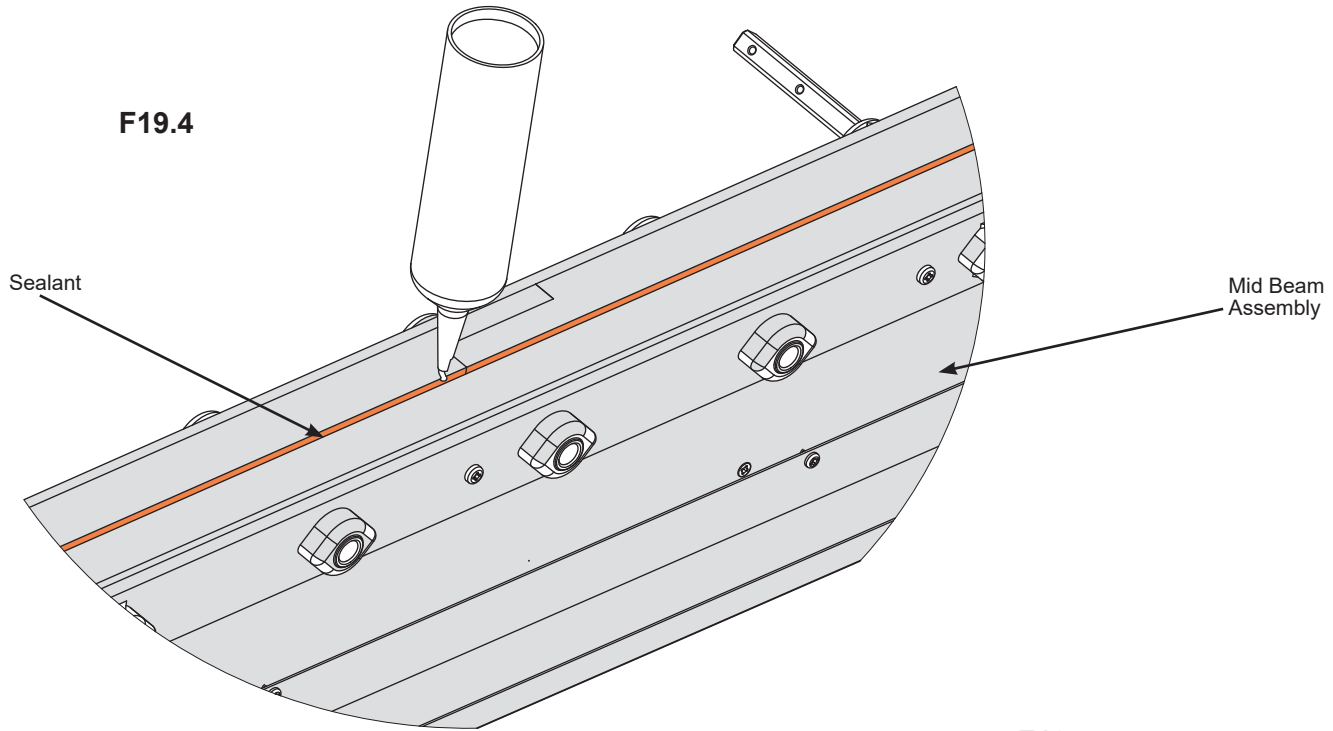


# Step 19: Apply Sealant Part 2



**B:** In the seam of the Mid Beam Assembly apply a small evenly distributed bead of sealant and smooth out so it forms a continuous, water-tight seal. (F19.4)

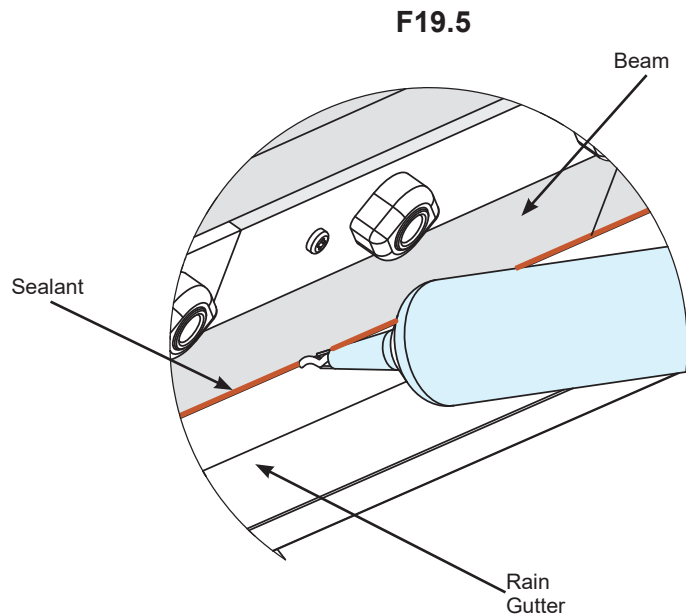
**C:** Along the tops of the Rain Gutters on both Short Beam Assemblies, both Long Beam Assemblies and each side of the Middle Beam, including the tops of the Gutter Corners and Gutter Drain Corners, apply a small evenly distributed bead of sealant, smoothing the sealant so it gets into the joints. (F19.5)



**Note:** All surfaces to be clean, dry, dust and grease free before application with temperatures above 5°C (41°F), no warmer than 35°C (95°F).

- Apply sealant in small beads and smooth as required.
- Clean excess with a cloth or paper towel before it skins over.
- Always wear safety glasses and rubber gloves when using product.

**See page 6 for Warning and First Aid Information.**

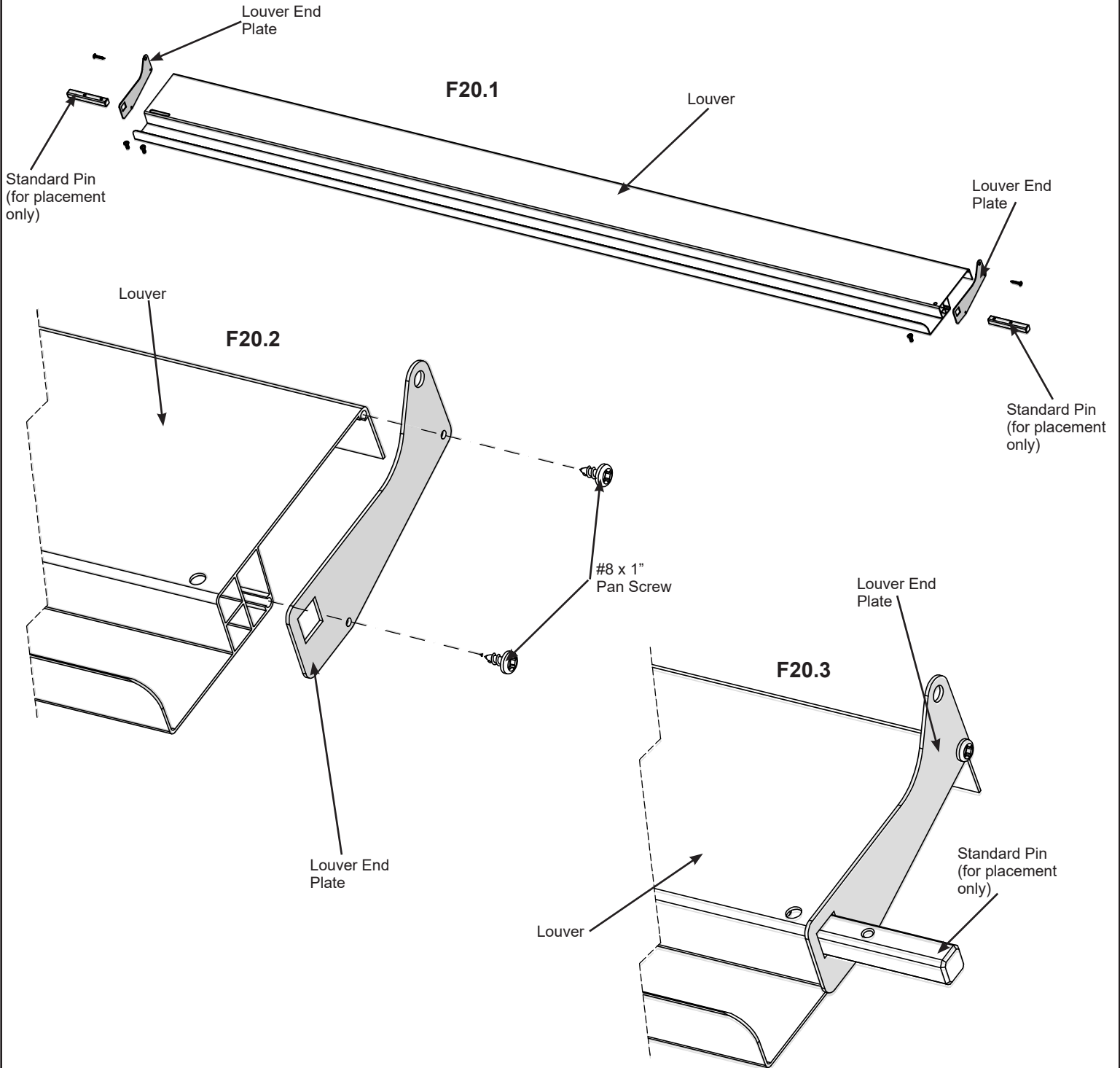


## Components

Sealant

# Step 20: Louver Assemblies Part 1

**A:** On six Louvers attach one Louver End Plate to each end with two #8 x 1" Pan Screws per plate. Use a Standard Pin to help line up proper placement. Remove Standard Pin when Louver End Plate is secure. (F20.1, F20.2 and F20.3)



### Components

6 x Louver  
12 x Louver End Plate

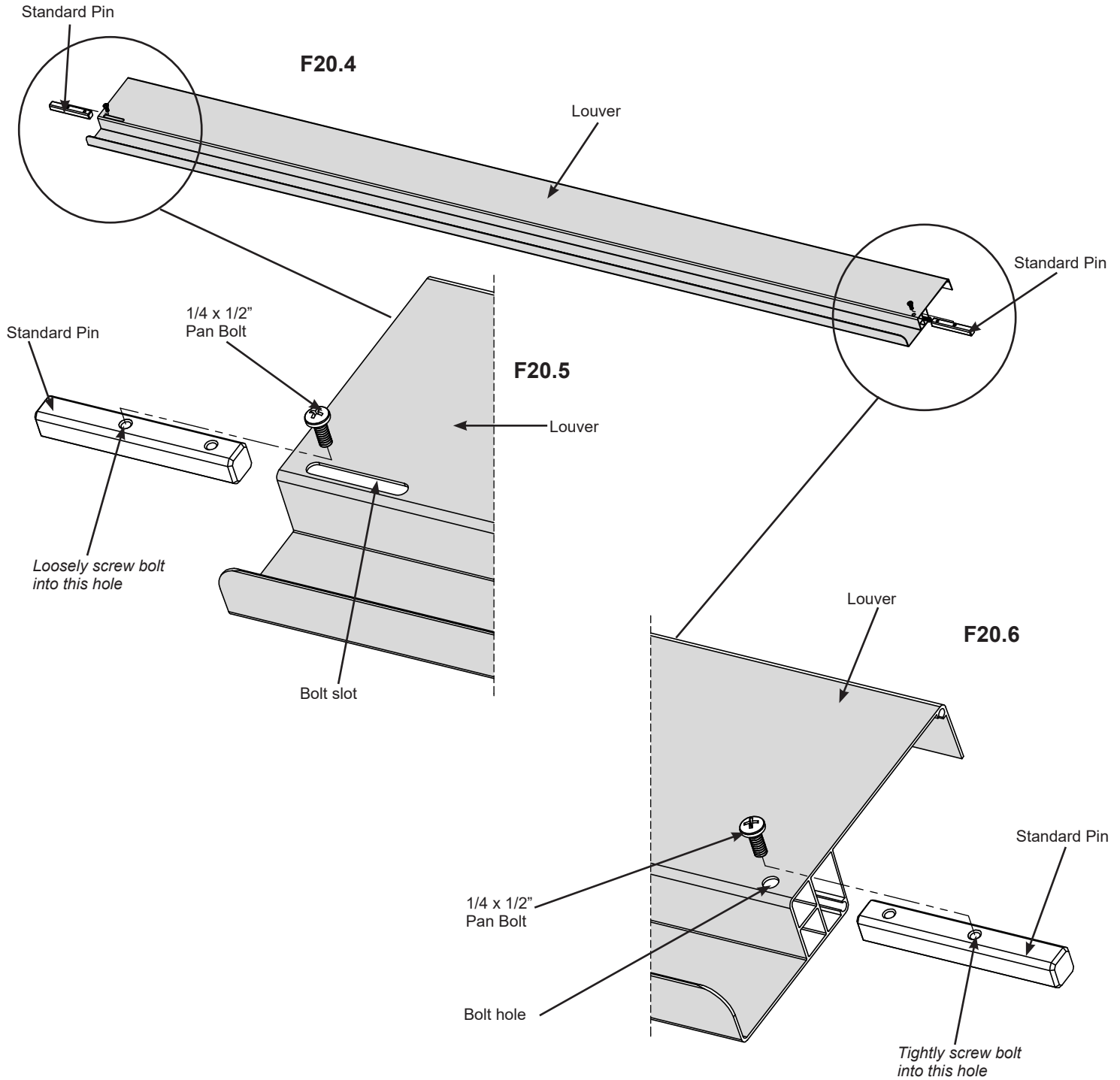
### Hardware

24 x #8 x 1" Pan Screw

# Step 20: Louver Assemblies

## Part 2

**B:** On the remaining 36 Louvers place one Standard Pin in the square slot at each end. Push pins all the way in to the second bolt hole. On the side of the Louver with the single bolt hole, tightly attach to pin with one 1/4 x 1/2" Pan Bolt. On the side of the Louver with the bolt slot, loosely attach to pin with one 1/4 x 1/2" Pan Bolt. Notice which end of Standard Pin is inserted in Louvers. (F20.4, F20.5 and F20.6)



### Components

36 x Louver  
72 x Standard Pin

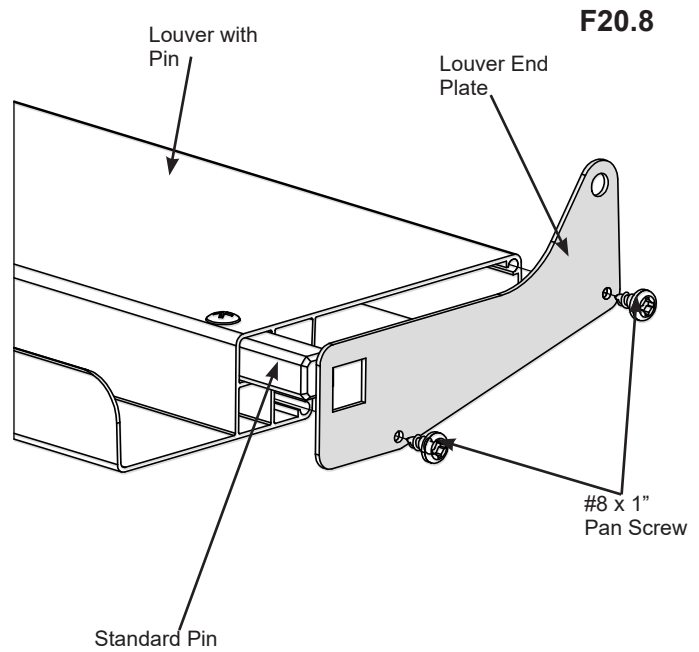
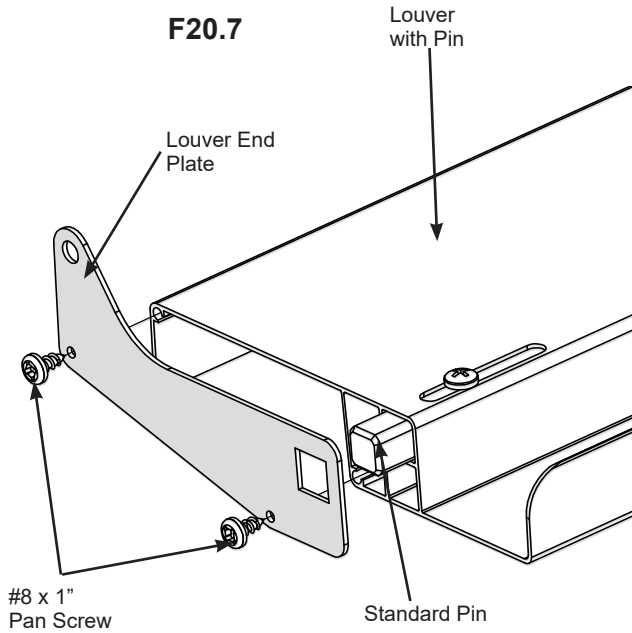
### Hardware

72 x 1/4 x 1/2" Pan Bolt

# Step 20: Louver Assemblies

## Part 3

C: Place one Louver End Plate at each end of the Louvers, fitting over the pins then attach with two #8 x 1" Pan Screws per plate. (F20.7 and F20.8)



### Components

72 x Louver End Plate

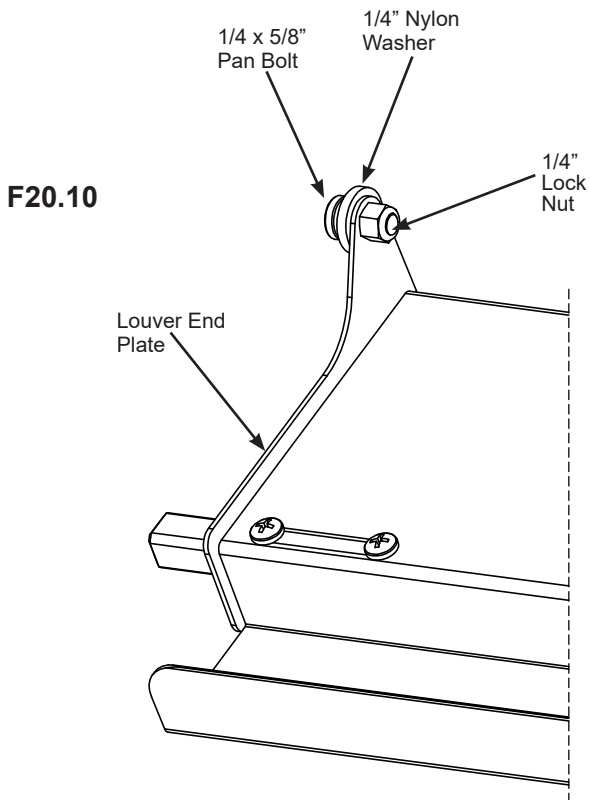
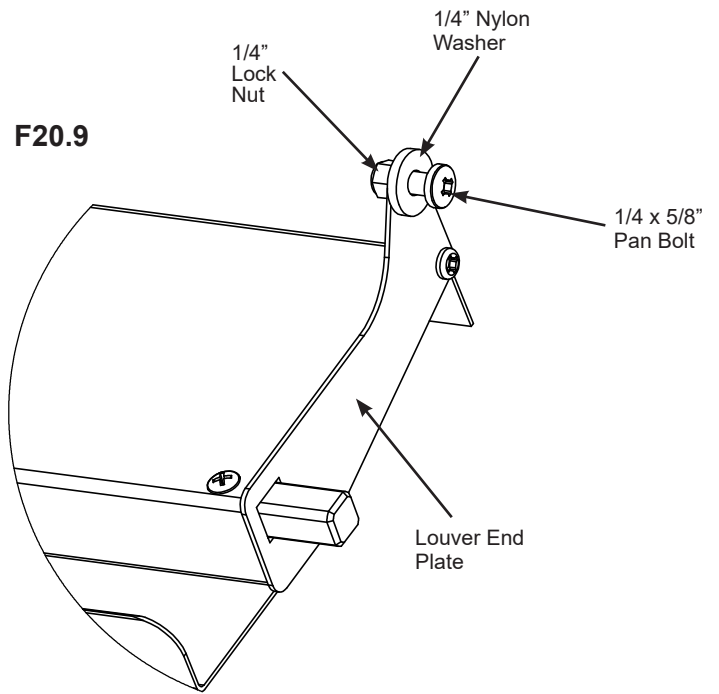
### Hardware

144 x #8 x 1" Pan Screw

# Step 20: Louver Assemblies

## Part 4

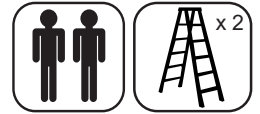
**D:** On each Louver End Plate loosely attach one 1/4 x 5/8" Pan Bolt (with nylon washer and 1/4" lock nut) per plate. (F20.9 and F20.10)



### Hardware

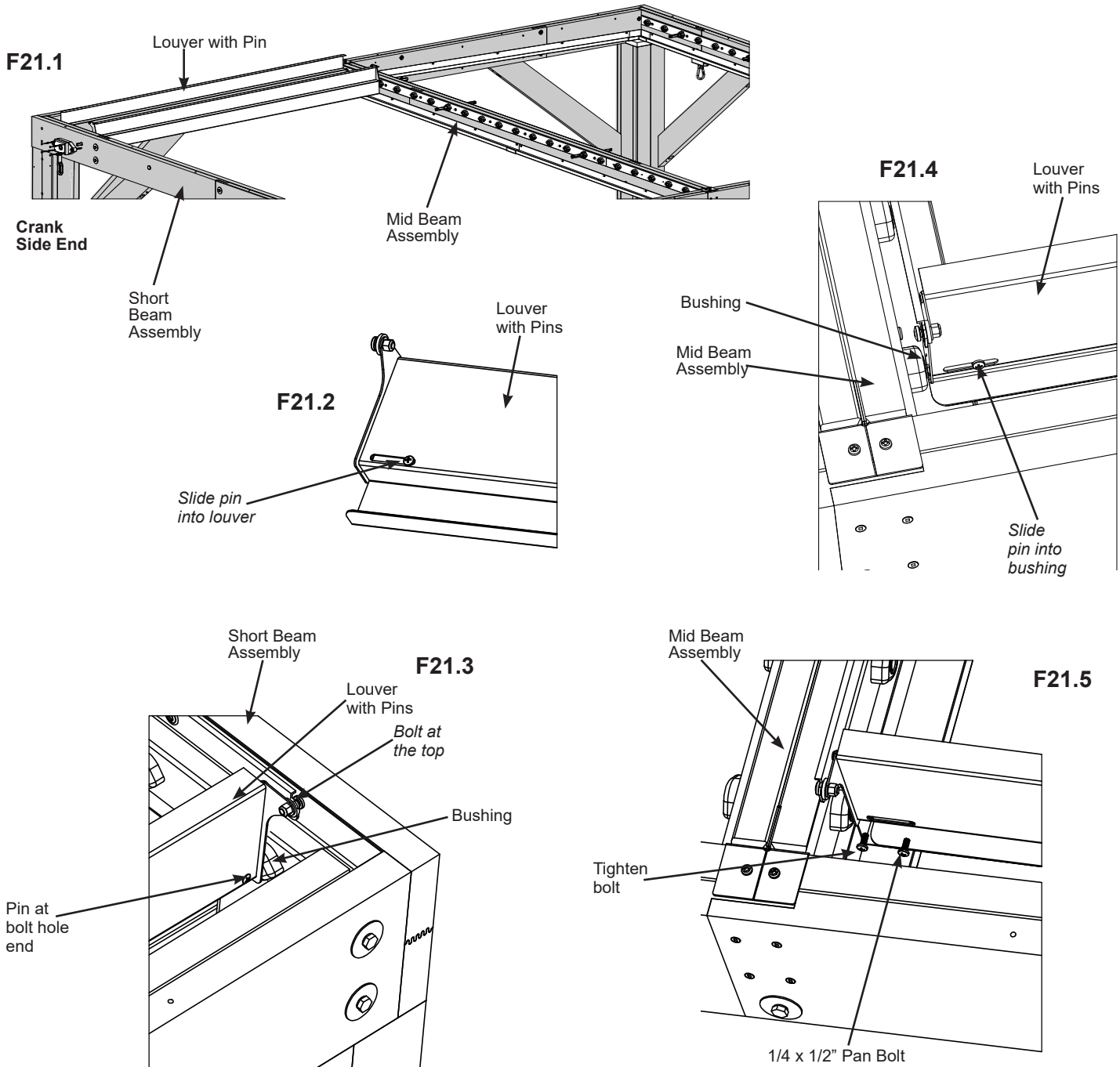
84 x 1/4 x 5/8" Pan Bolt  
(1/4" nylon washer, 1/4" lock nut)

# Step 21: Attach Louver Assemblies Part 1



**A:** Starting at the Crank End Side, with one Louver with pins, bolt at the top. Move the pin in the screw slot end all the way into the Louver. Insert fully tightened pin at screw hole end into first bushing on the Short Beam Assembly. (F21.1, F21.2 and F21.3)

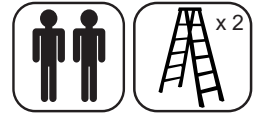
**B:** Slide the pin on the screw slot end out of the Louver and into the first bushing on the Mid Beam Assembly and tighten screw. Attach one 1/4 x 1/2" Pan Bolt into Standard Pin through screw slot. Both screws should be tight. (F21.1, F21.4 and F21.5)



## Hardware

2 x 1/4 x 1/2" Pan Bolt

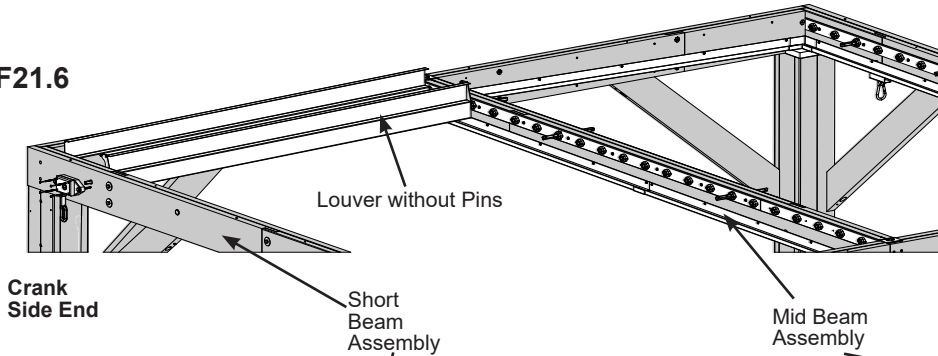
# Step 21: Attach Louver Assemblies Part 2



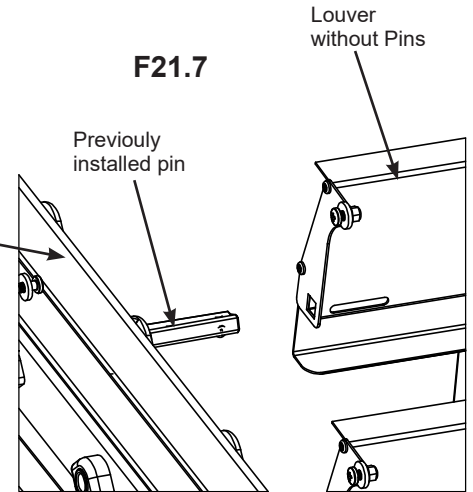
**C:** At the third bushing place one Louver without pins so the end with the screw slot fits over the pin previously installed on the Mid Beam Assembly. Attach with two 1/4 x 1/2" Pan Bolts. (F21.6, F21.7 and F21.8)

**D:** Through the outside of the Short Beam Assembly insert one Drive Pin through the bushing with the arrow on top and into the Louver without pins. Attach with one 1/4 x 1/2" Pan Bolt into second hole of Drive Pin. (F21.6, F21.9 and F21.10)

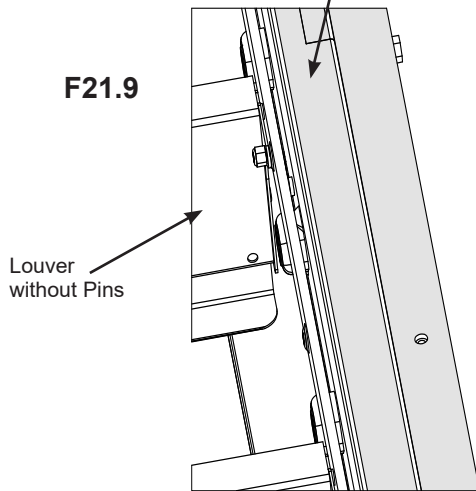
**F21.6**



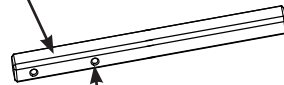
**F21.7**



**F21.9**

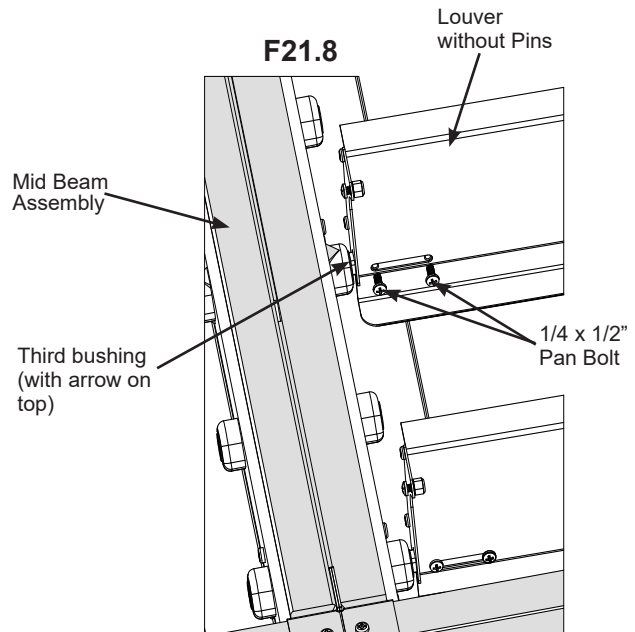


Drive Pin

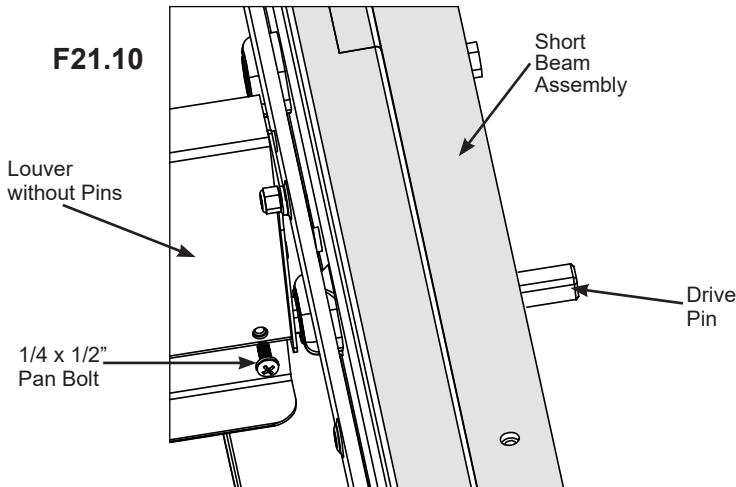


Tighten bolt into this hole

**F21.8**



**F21.10**



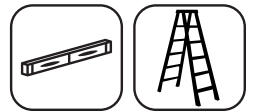
### Components

2 x Drive Pin

### Hardware

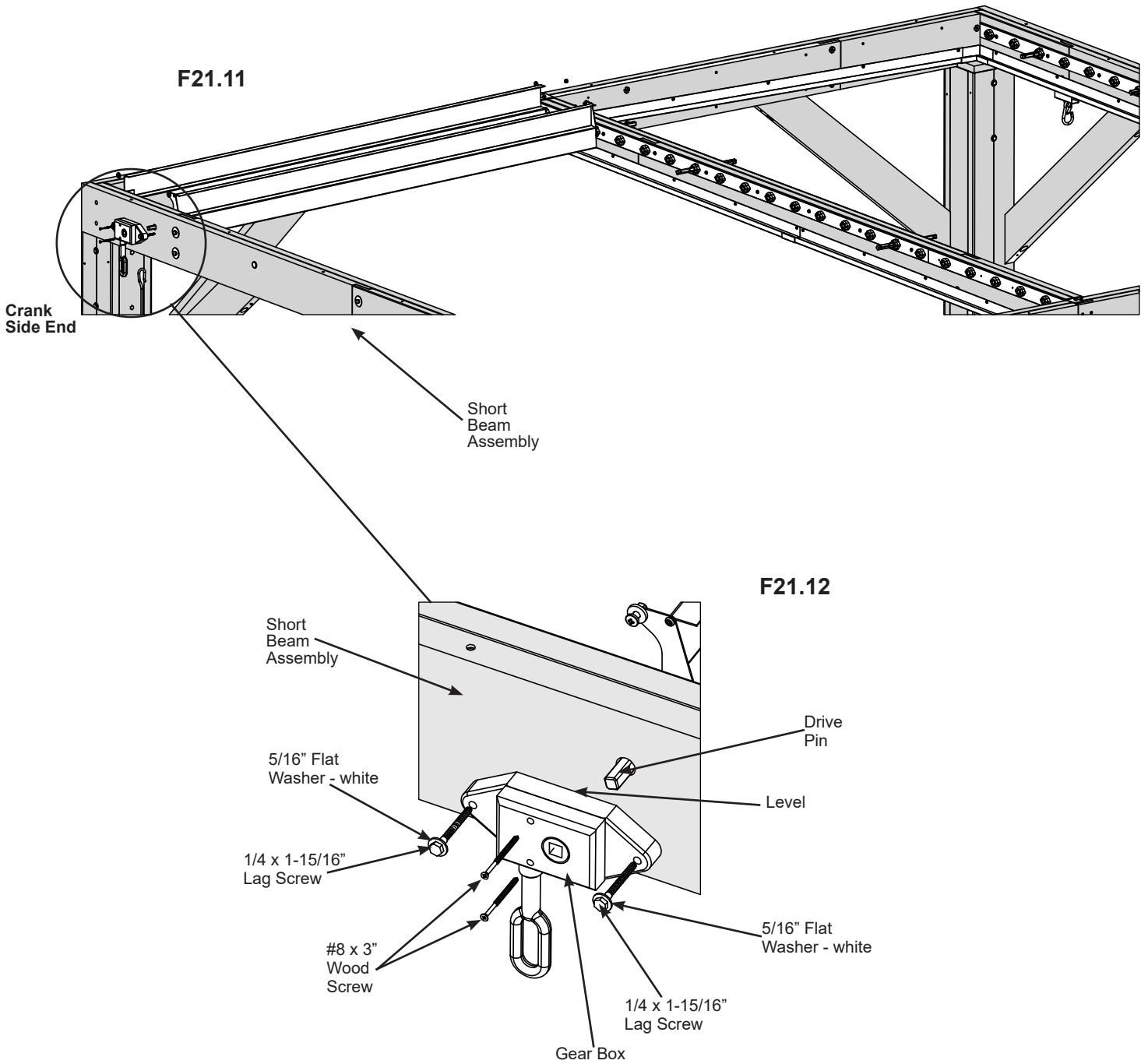
6 x 1/4 x 1/2" Pan Bolt

# Step 21: Attach Louver Assemblies Part 3



**E:** Place one Gear Box over the Drive Pin, make sure it is level then attach to Short Beam Assembly with two 1/4 x 1-15/16" Lag Screws (with 5/16" flat washer - white) and two #8 x 3" Wood Screws. (F21.11 and F21.12)

*Crank Handle can be attached at this time.*



### Components

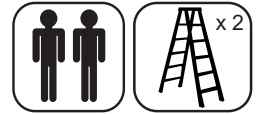
2 x Gear Box

### Hardware

4 x 1/4 x 1-15/16" Lag Screw (5/16" flat washer - white)  
4 x #8 x 3" Wood Screw



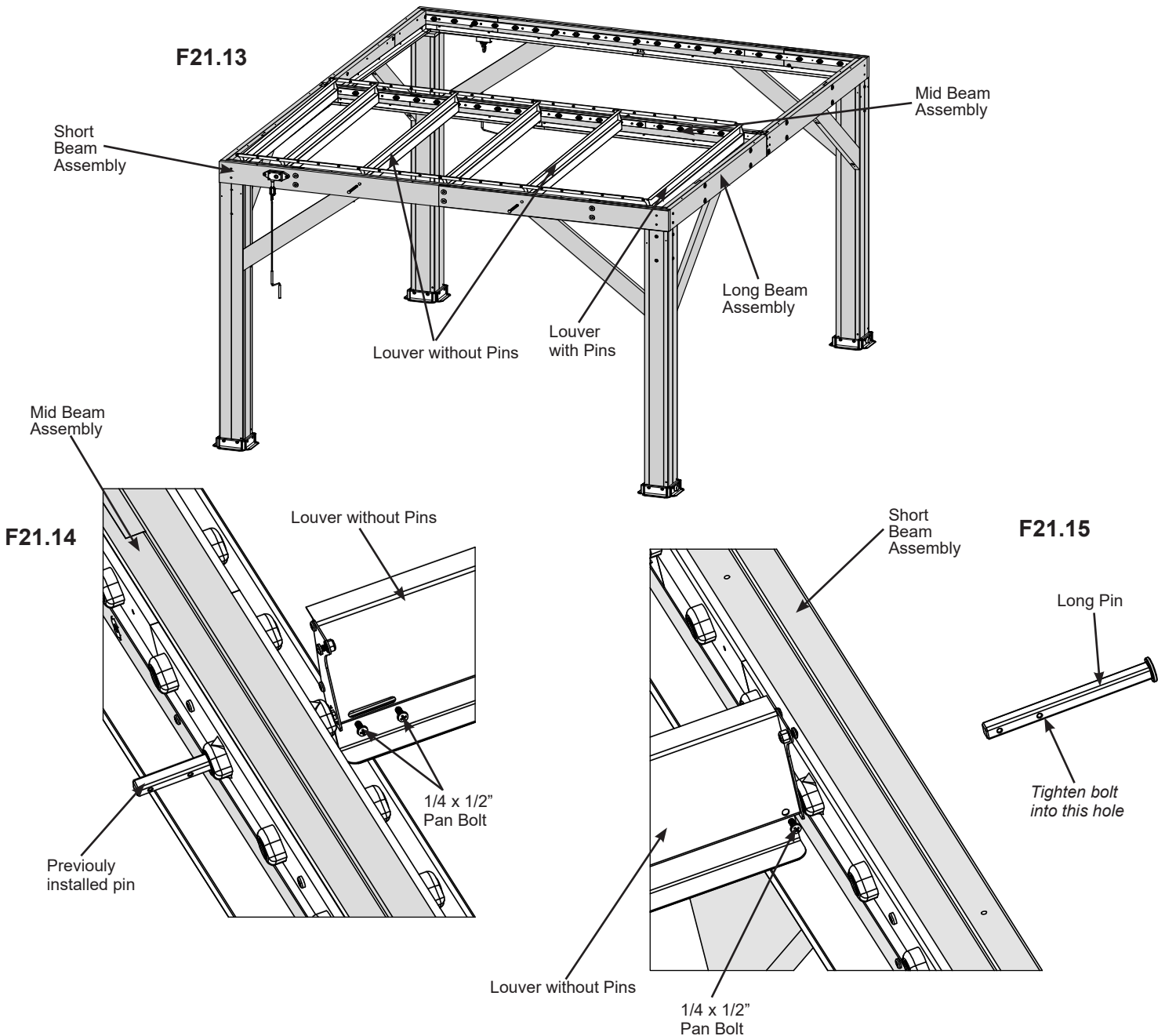
# Step 21: Attach Louver Assemblies Part 4



**F:** Place two Louvers without pins so the end with the screw slot fits over the pins previously installed on the Mid Beam Assembly. Attach with two 1/4 x 1/2" Pan Bolts. (F21.13 and F21.14)

**G:** Through the outside of the Short Beam Assembly insert one Long Pin, per louver, through the bushing and into the Louver without pins. Attach with one 1/4 x 1/2" Pan Bolt. (F21.13 and F21.15)

**H:** Attach one Louver with pins to the last spot (next to the Long Beam Assembly) as completed in Steps A and B (page 54).



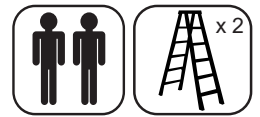
### Components

4 x Long Pin

### Hardware

14 x 1/4 x 1/2" Pan Bolt

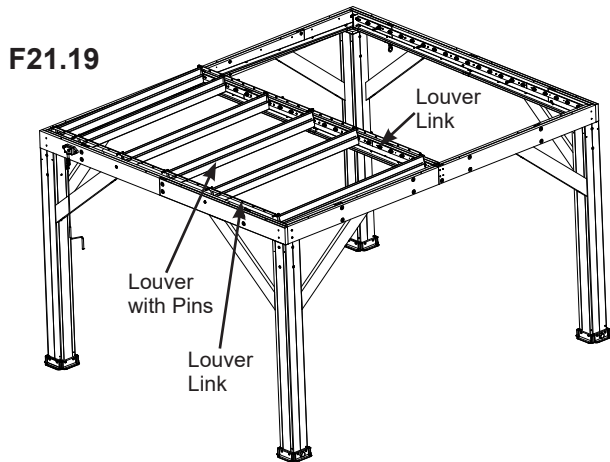
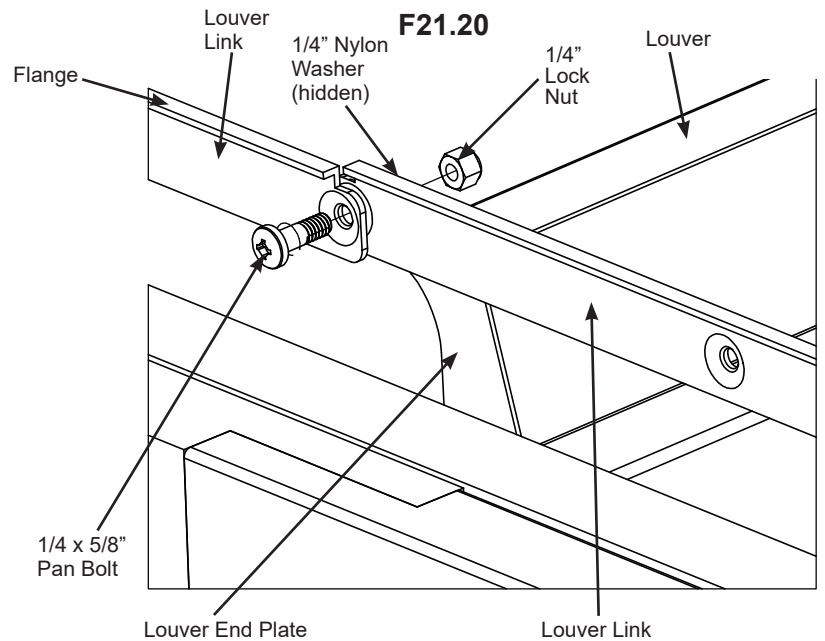
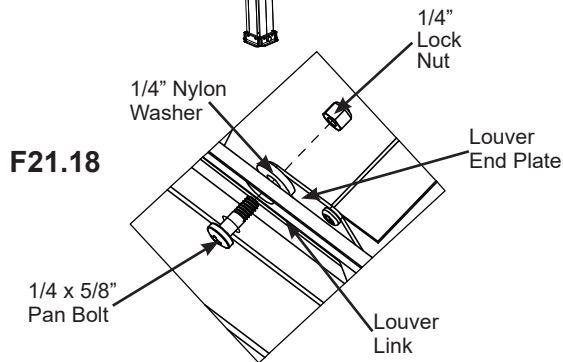
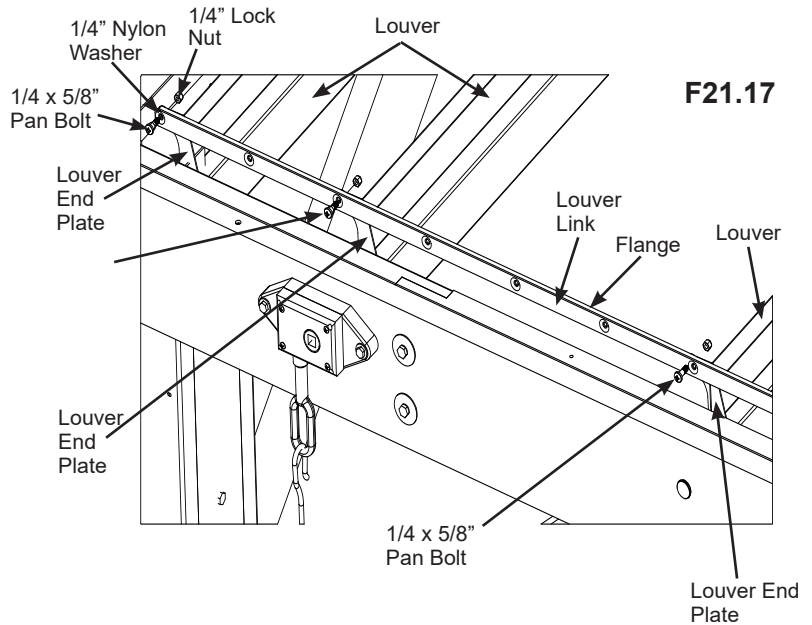
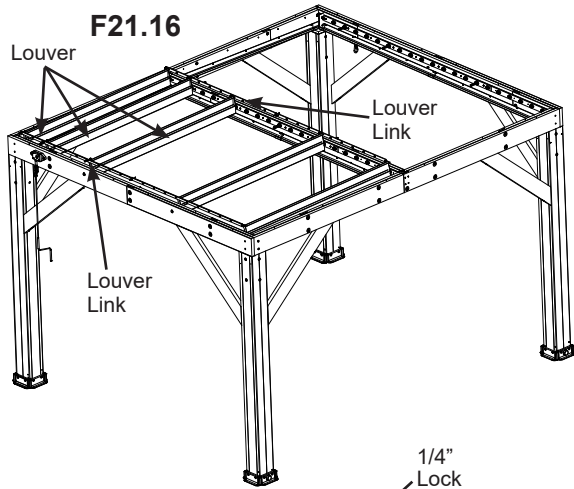
# Step 21: Attach Louver Assemblies Part 5



**I:** Using the bolts, nylon washers and lock nuts previously attached to the tops of the Louver End Plates, connect one Louver Link to each end of the first three louvers. Lock nuts to be flush to end of bolt. The flange on the Louver Link to point away from Louvers. (F21.16, F21.17 and F21.18)

**J:** At the end of the Louver Link attach one Louver with pins to the beams as completed for the first in Steps A and B. (page 54)

**K:** Connect one Louver Link to each end of the louver installed in Step J as well as the previously installed Louver Links using the bolts, nylon washers and lock nuts previously attached to the tops of the Louver End Plates. Connect remaining louvers to Louver Links. (F21.18, F21.19 and F21.20)



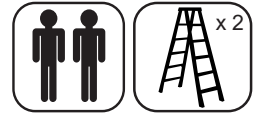
### Components

8 x Louver Link

### Hardware

2 x 1/4 x 1/2" Pan Bolt

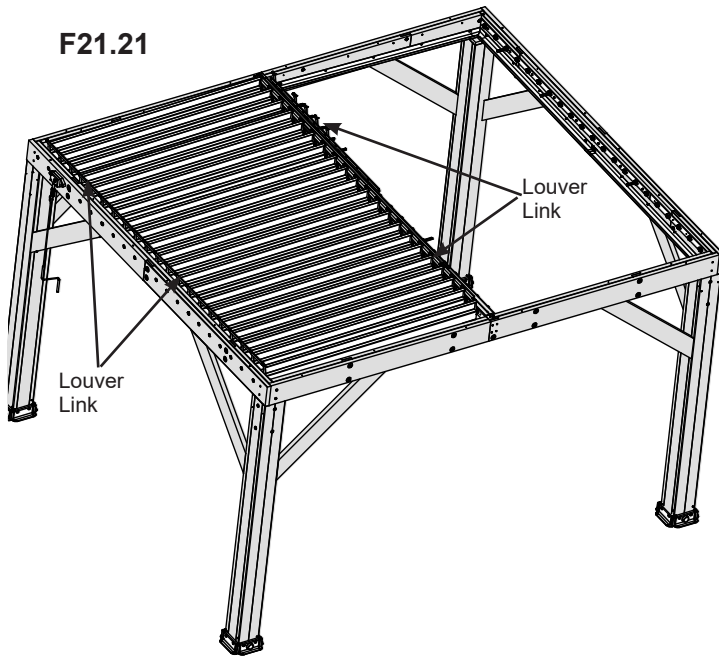
# Step 21: Attach Louver Assemblies Part 6



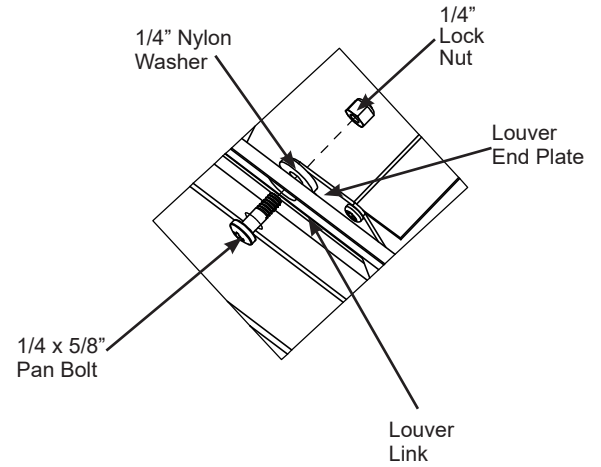
**L:** Attach 15 remaining Louvers with pins to the beams on this side of the assembly as described for the first in Steps A and B. (page 54)

**M:** Connect remaining louvers to Louver Links with previously attached bolts, nylon washer and lock nuts. (F21.21, F21.22 and F21.23)

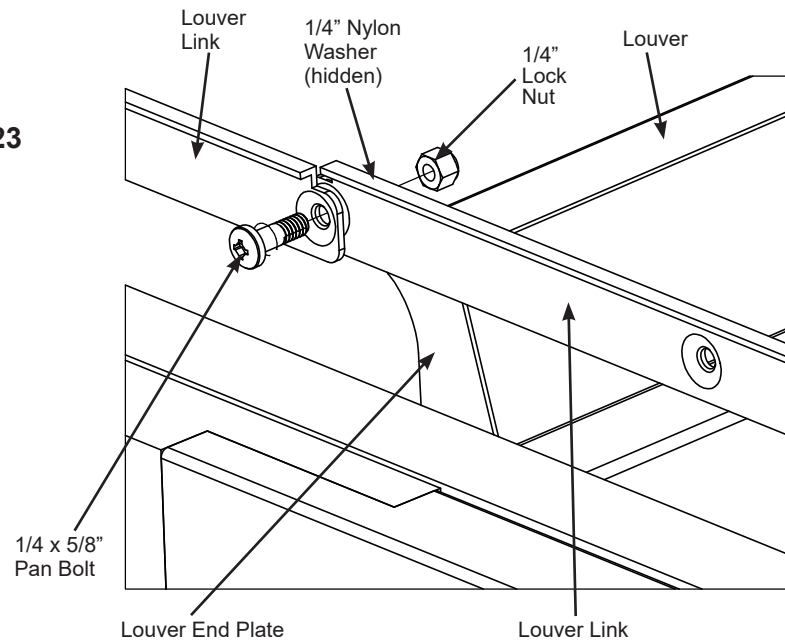
**F21.21**



**F21.22**



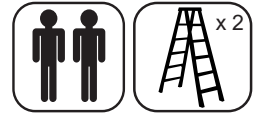
**F21.23**



## Hardware

30 x 1/4x 1/2" Pan Bolt

## Step 22: Attach Louver Assemblies - Second Side

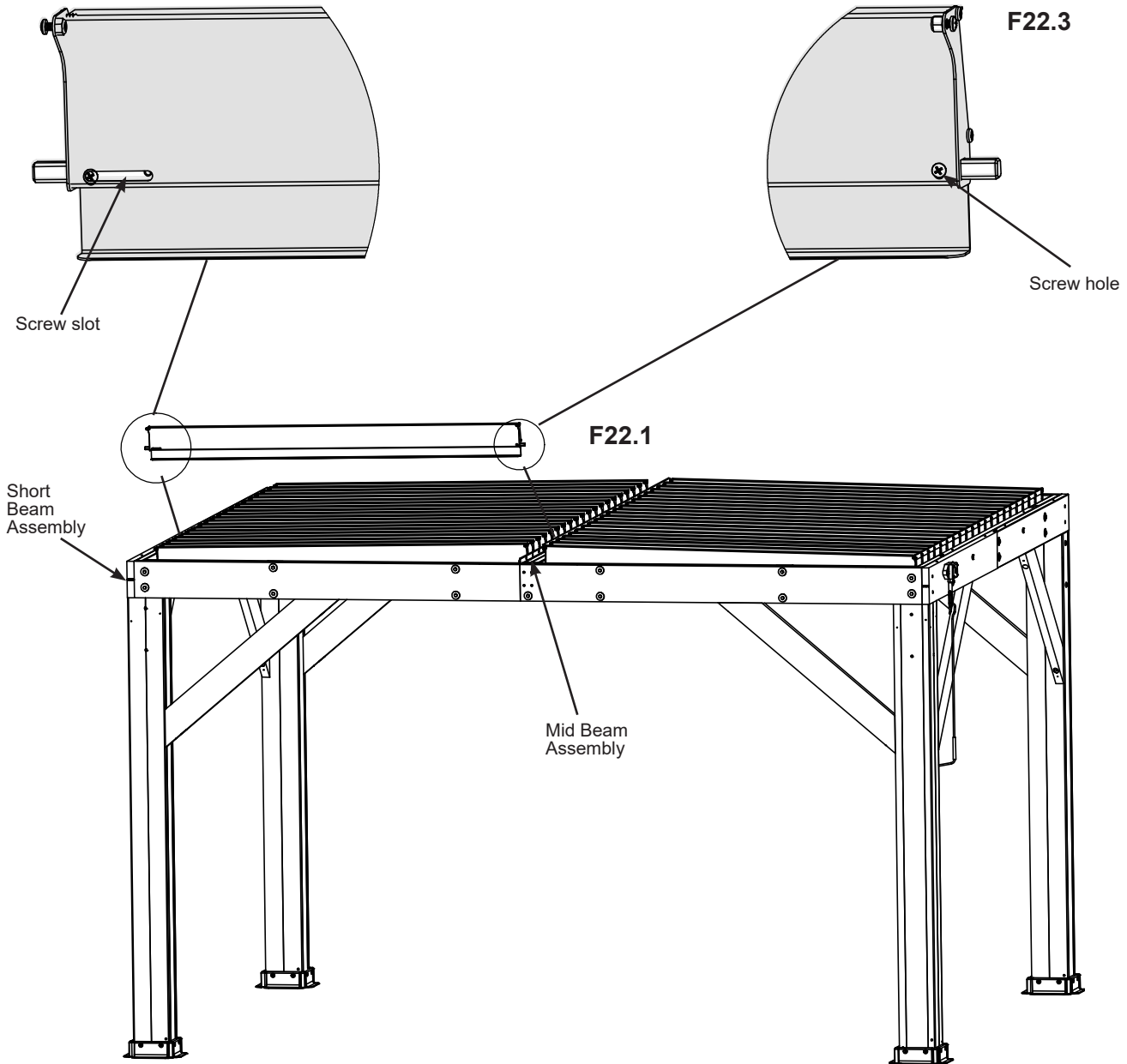


**A:** Repeat Step 21 (A - M) for the second side of the assembly.

**B:** When connecting the Louvers with and without pins for this side make sure end with screw slot (2 screws) is attached to the Short Beam Assembly and the end with the single screw hole is attached to the Mid Beam Assembly. (F22.1, F22.2 and F22.3)

F22.2

F22.3

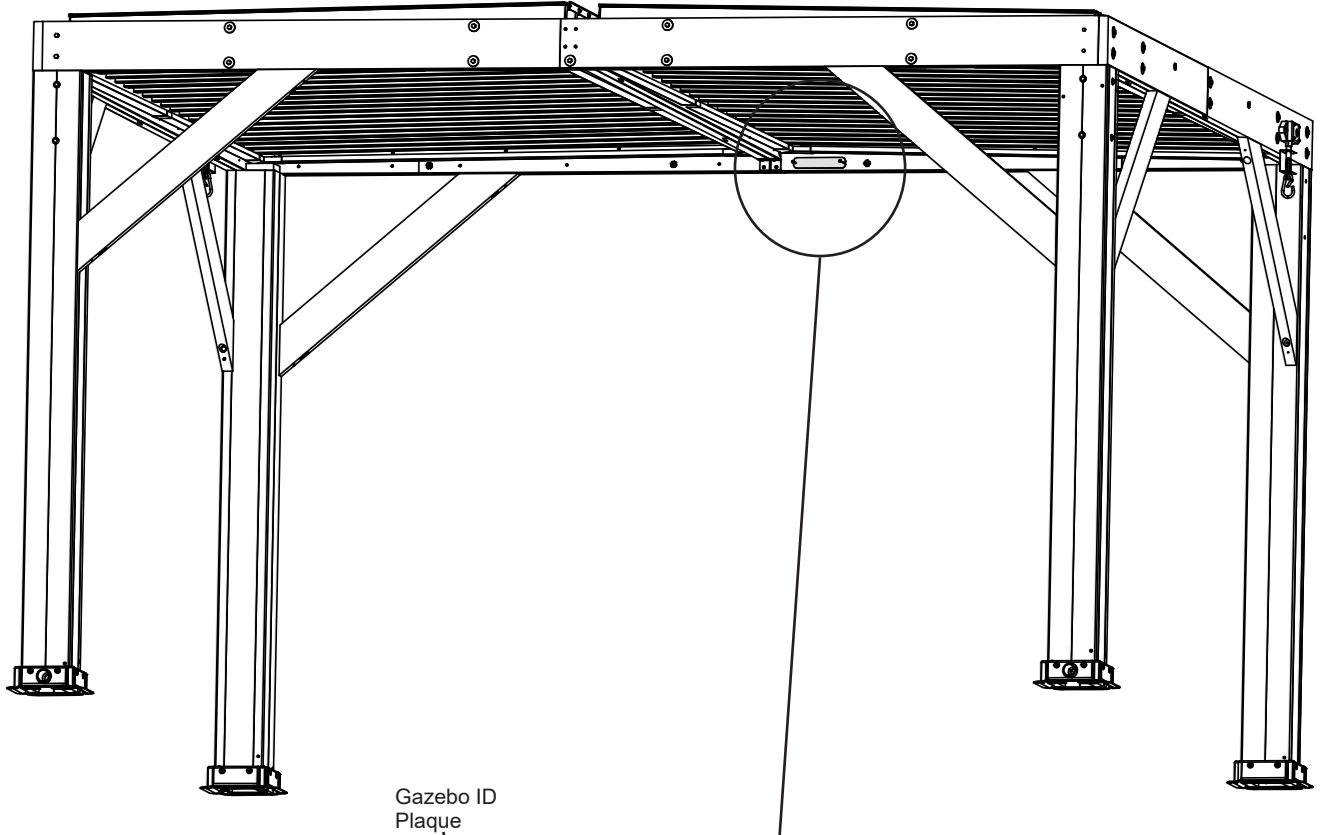


# Step 23: Attach ID Plaque

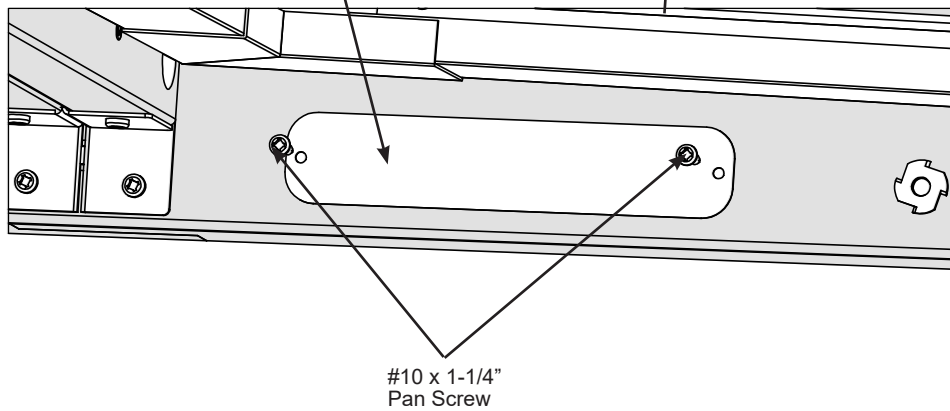


**A:** Attach Gazebo ID Plaque to a prominent location on your gazebo with two #10 x 1-1/4" Pan Screws. This provides warnings concerning safety and important contact information. A tracking number is provided to allow you to get critical information or order replacement parts for this specific model. (F23.1 and F23.2)

F23.1



F23.2



**Components:**

1 x Gazebo ID Plaque

**Hardware**

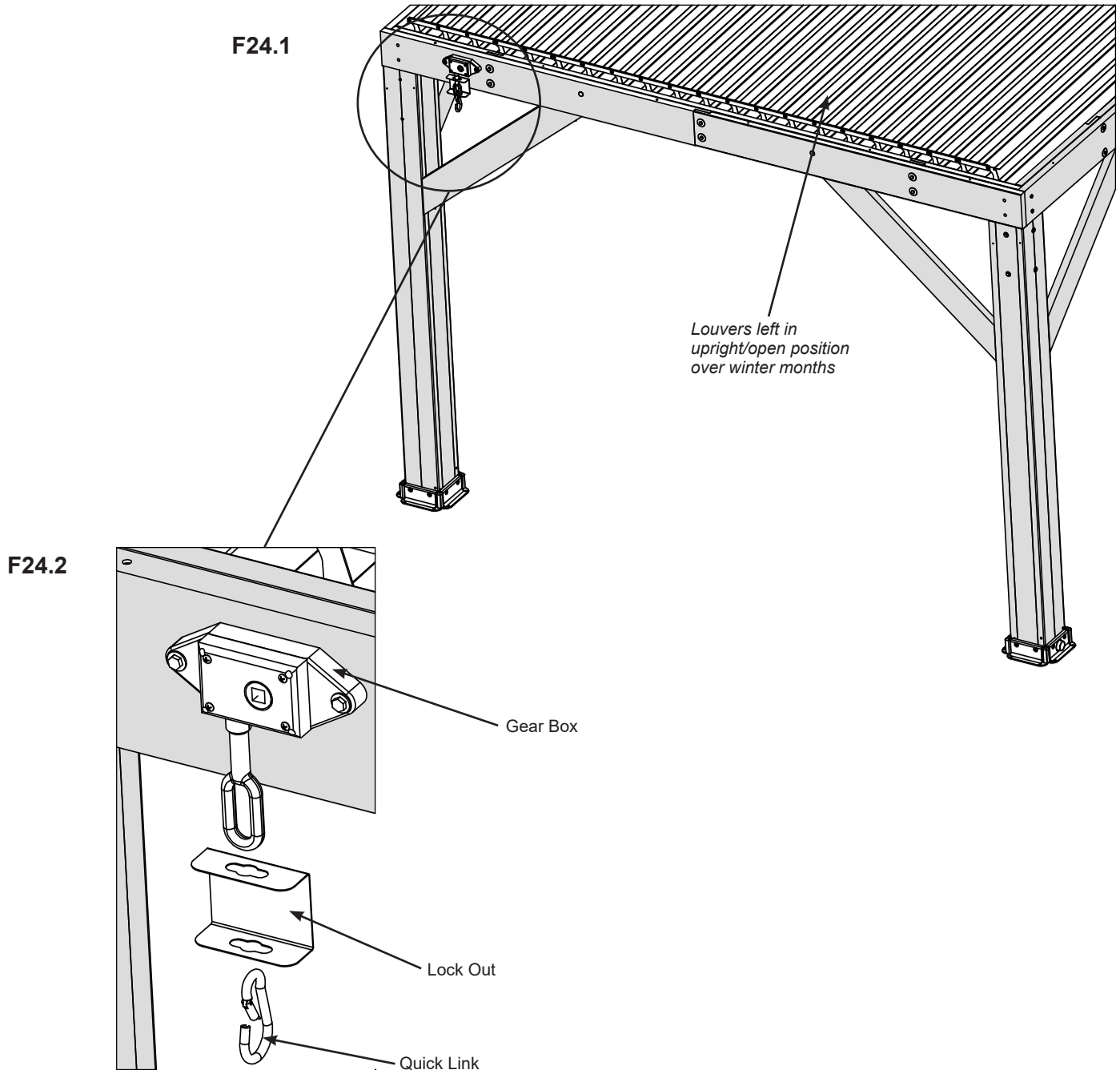
2 x #10 x 1-1/4" Pan Screw

# Step 24: Gear Box Lockout and Winter Maintenance



**A:** To lock the Gear Box remove the Crank Handle then attach Lock Out to each Gear Box using the Quick Link to secure in place. (F24.1 and F24.2)

**IMPORTANT!** When preparing for high winds and/or winter conditions, turn the louvers to the open position (upright) then attach the Lock Out and Quick Link. This will prevent the structure from blowing over due to high winds and the louvers from breaking due to snow and ice loads. (F24.1 and F24.2)



### Components:

- 2 x Lock Out
- 2 x Quick Link

# YARDISTRY®

Yardistry® 375 Sligo Road West, P.O. Box 10, Mount Forest, ON Canada NOG 2L1

---

Distributed by:  
Costco Wholesale Corporation  
P.O. Box 34535  
Seattle, WA 98124-1535  
USA  
1-800-774-2678  
www.costco.com

Costco Wholesale Canada Ltd.\*  
415 W. Hunt Club Road  
Ottawa, Ontario  
K2E 1C5, Canada  
1-800-463-3783  
www.costco.ca  
\* faisant affaire au Québec sous  
le nom les Entrepôts Costco

Importado por:  
Importadora Primex S.A. de C.V.  
Blvd. Magnocentro No. 4  
San Fernando La Herradura  
Huixquilucan, Estado de México  
C.P. 52765  
RFC: IPR-930907-S70  
(55)-5246-5500  
www.costco.com.mx

Costco Wholesale Australia Pty Ltd  
17-21 Parramatta Road  
Lidcombe NSW 2141  
Australia  
www.costco.com.au

Costco Wholesale UK Ltd /  
Costco Online UK Ltd  
Hartspring Lane  
Watford, Herts  
WD25 8JS  
United Kingdom  
01923 213113  
www.costco.co.uk

Costco Wholesale Spain S.L.U.  
Polígono Empresarial Los  
Gavilanes  
C/ Agustín de Betancourt, 17  
28906 Getafe (Madrid) España  
NIF: B86509460  
900 111 155  
www.costco.es

Costco Wholesale Iceland ehf.  
Kauptún 3-7, 210 Gardabaer  
Iceland  
www.costco.is

Costco France  
1 avenue de Bréhat  
91140 Villebon-sur-Yvette  
France  
01 80 45 01 10  
www.costco.fr

Costco Wholesale Japan Ltd.  
3-1-4 Ikegami-Shincho  
Kawasaki-ku, Kawasaki-shi,  
Kanagawa 210-0832 Japan  
0570-032600  
www.costco.co.jp

Costco Wholesale Korea, Ltd.  
40, Iljik-ro  
Gwangmyeong-si  
Gyeonggi-do, 14347, Korea  
1899-9900  
www.costco.co.kr

Costco Wholesale New Zealand Limited  
67 Maki Street  
Massey, Auckland 0814  
New Zealand

Shanghai Minhang Costco Trading Co., Ltd  
No. 235, ZhuJian Road  
Minhang District, Shanghai  
China 201106  
+86-21-6257-7065

MADE IN CHINA • FABRIQUÉ EN CHINE • HECHO EN CHINA









## Customer Registration Card - Tarjeta de Registro del Cliente - Carte d'inscription du client

First Name - Primer Nombre - Prénom	Initial - Inicial - Initiale	Last Name - Apellido - Nom de famille

Street - Calle - Rue	PO Box - Casilla postal - Boîte postale	Apt. No. - App.

City - Ciudad - Ville	State/Province - Estado/Provincia - État/Province

ZIP/Postal Code - Código Postal - ZIP/Code postal	Country - País - Pays

E-mail Address - Dirección de E-mail - Adresse courriel	Telephone Number - No. de Teléfono - N° de téléphone

Model Name - Nombre del Modelo - Nom du modèle	Model Number (from front cover) - Número de Modelo (de la portada) - N° du modèle (page de couverture)

Date of Purchase - Fecha de Compra - Date d'achat (mm/dd/yyyy) (mm/dd/aaaa) (mm/jj/aaaa)	Place of Purchase - Comprado a - Lieu d'achat

Comments - Comentarios - Commentaires:

### Mail To - Enviar por Correo a - Envoyer par courrier à:

Yardistry  
375 Sligo Road West, PO Box 10  
Mount Forest, Ontario, Canada, N0G 2L0  
Attention: Consumer Relations  
Atención a: Servicio de Atención al Cliente  
À l'attention de: Service à la clientèle

### Online Registration - Registro online - Enregistrement en ligne:

[www.yardistrystructures.com/warranty](http://www.yardistrystructures.com/warranty)

Hours/ Heures/ Horas: 8:30 am - 5:00 pm EST  
(excl. holidays/ hors jours fériés/ excepto los días festivos)

English and French Spoken / Anglais et français parlés / Inglés y francés hablado

Yardistry would like to say "Thank you" for your time and feedback.

Yardistry quiere "Agradecerle" por su tiempo y su opinión.

Yardistry aimerait vous remercier d'avoir pris le temps de répondre au sondage.