

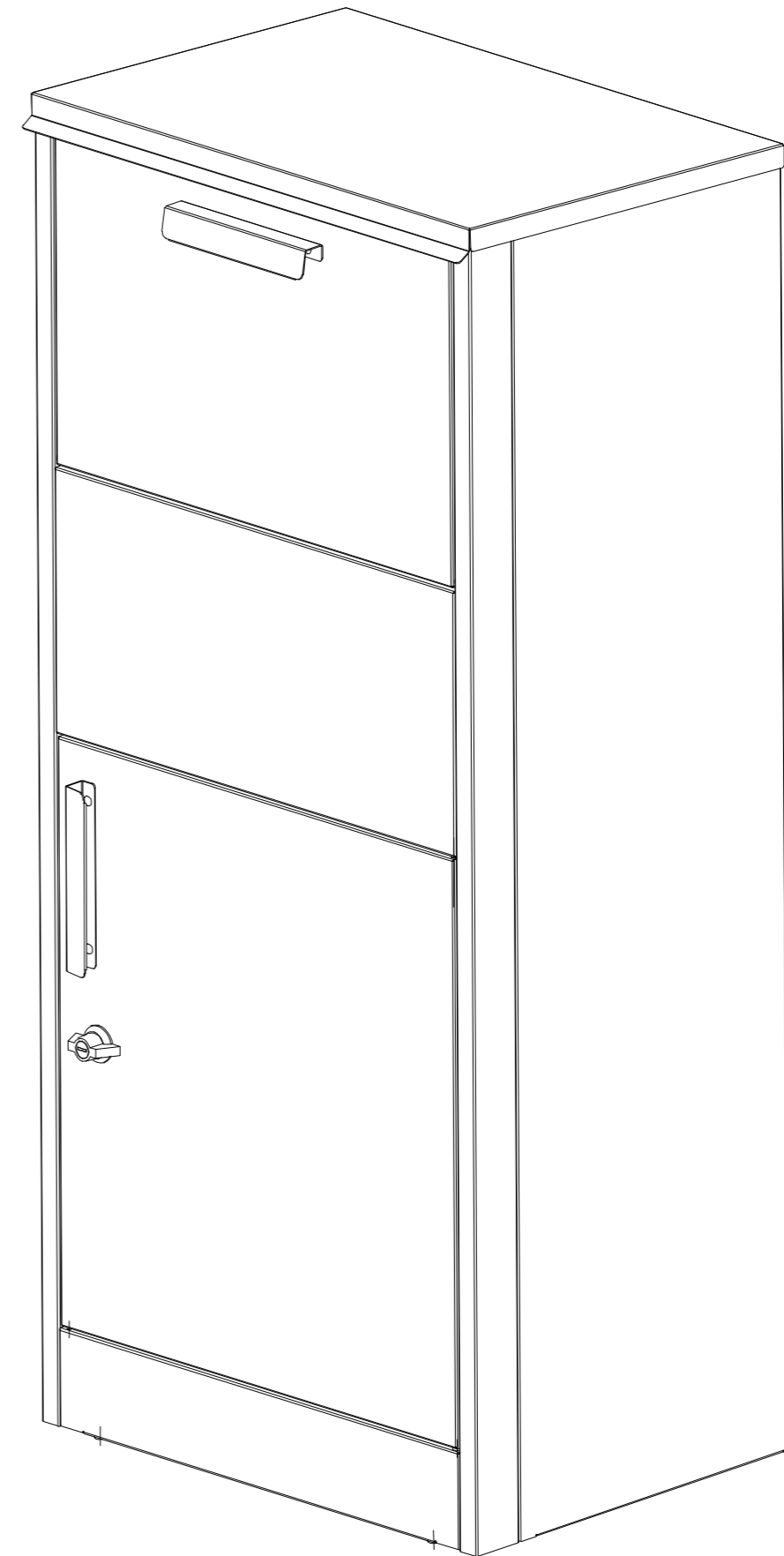


WESTMANN

## MONTAGEANLEITUNG

Westmann Paketbox

WMHXXPB004

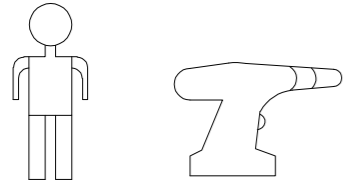


**BEI FRAGEN, KONTAKTIEREN SIE  
UNSEREN KUNDENSERVICE:**

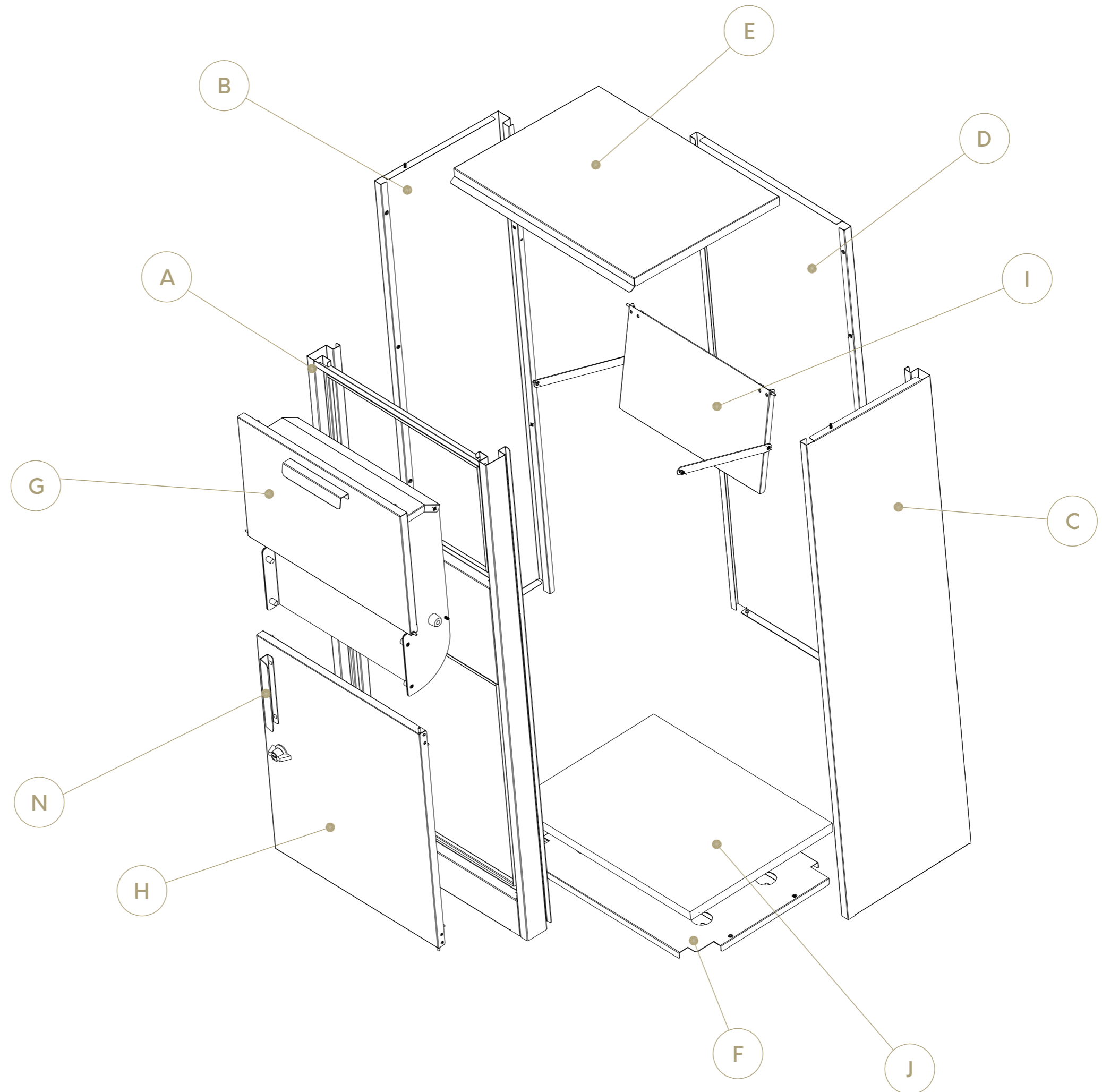


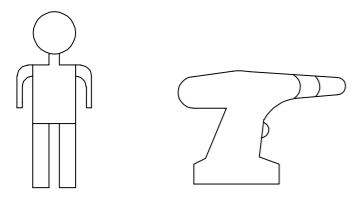
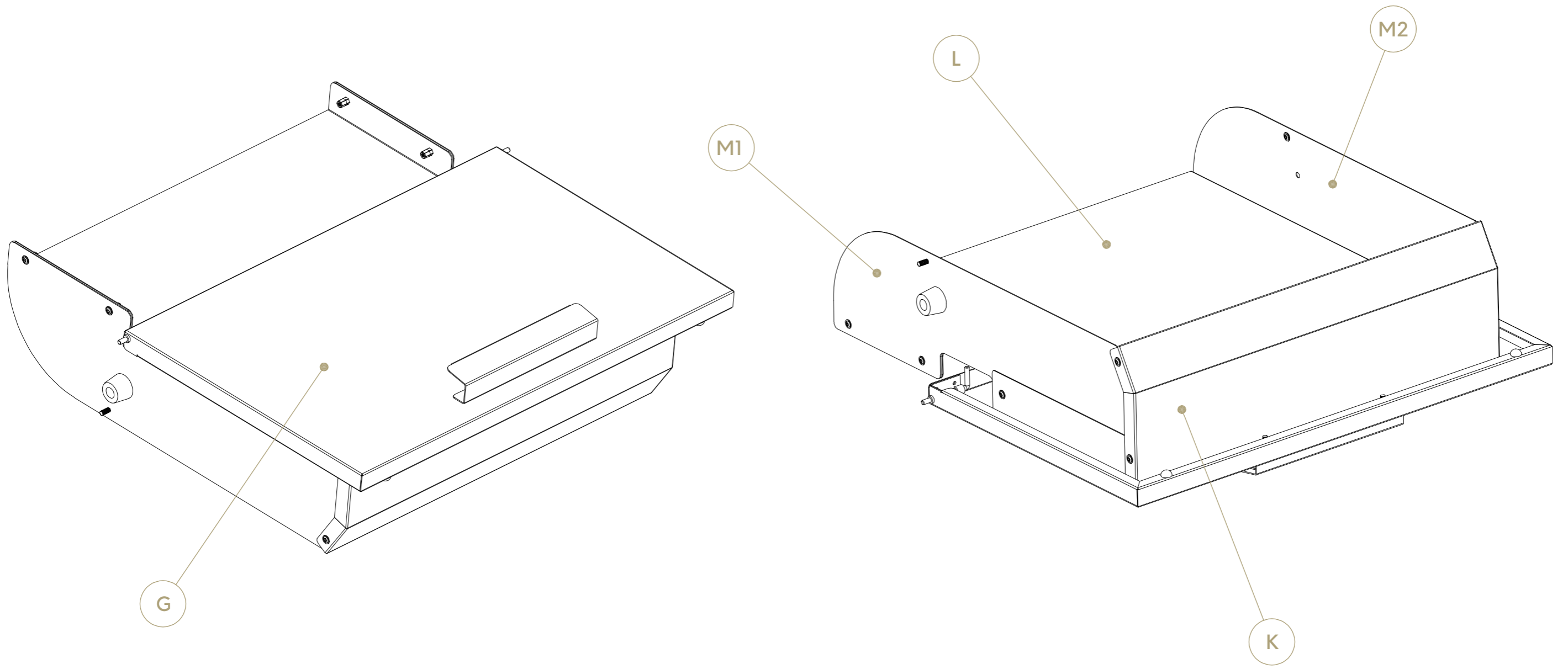
50NRTH GmbH  
Straßburgstraße 14-16  
D-54516 Wittlich

service@50NRTH.com  
+49 (0) 6571 95117-0

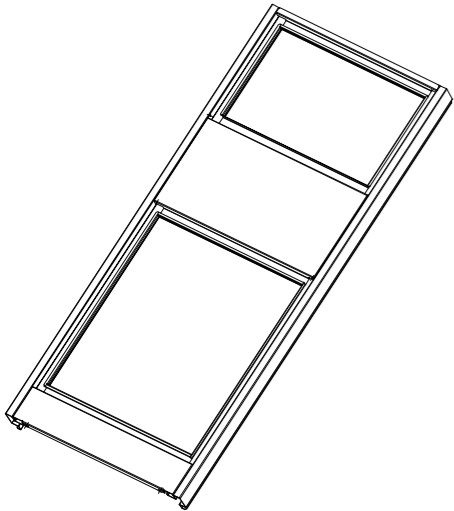
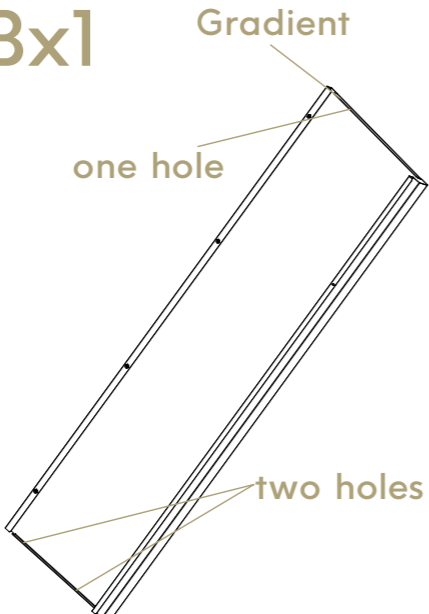
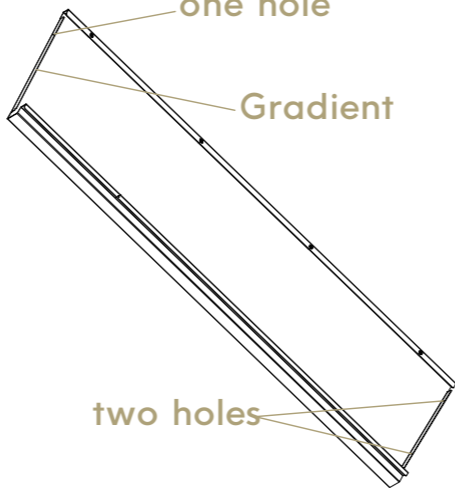
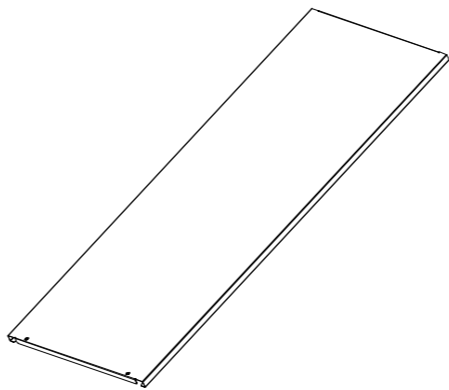
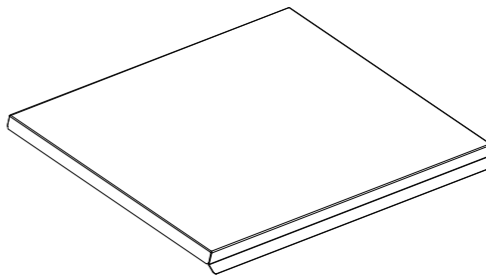
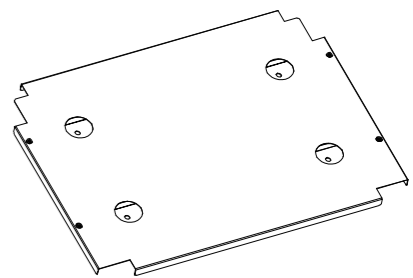
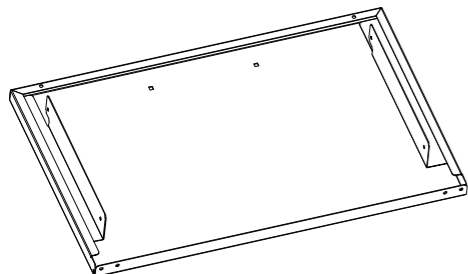
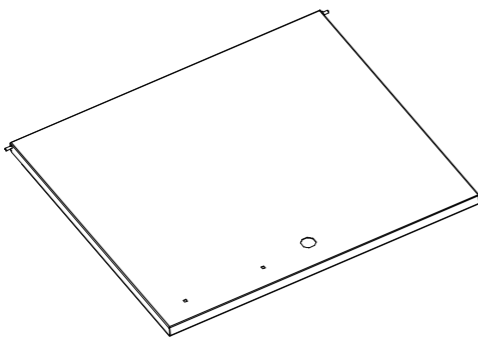
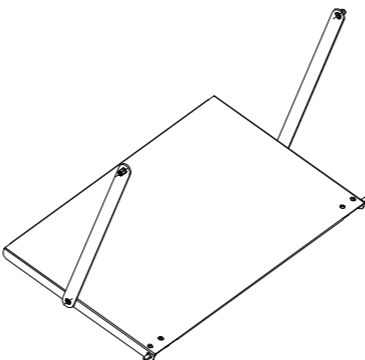
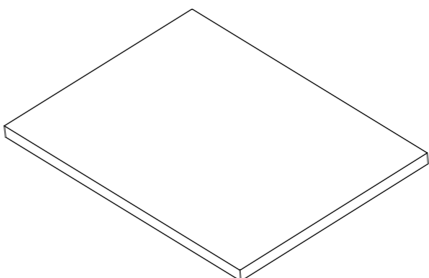
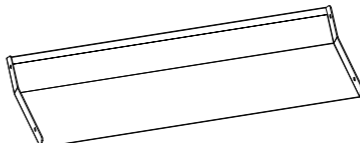
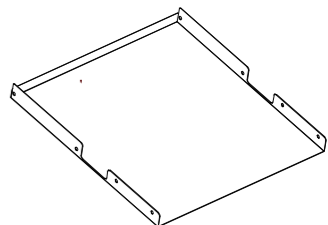
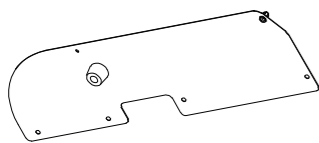
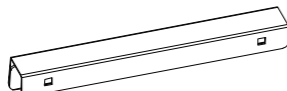
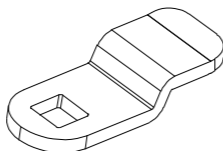
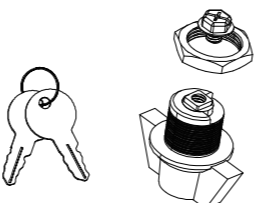
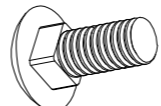

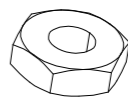

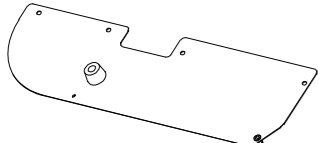
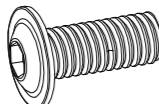
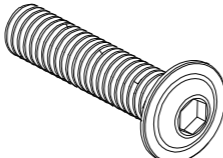
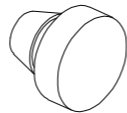
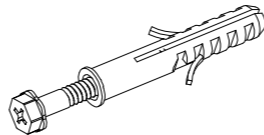



30Min

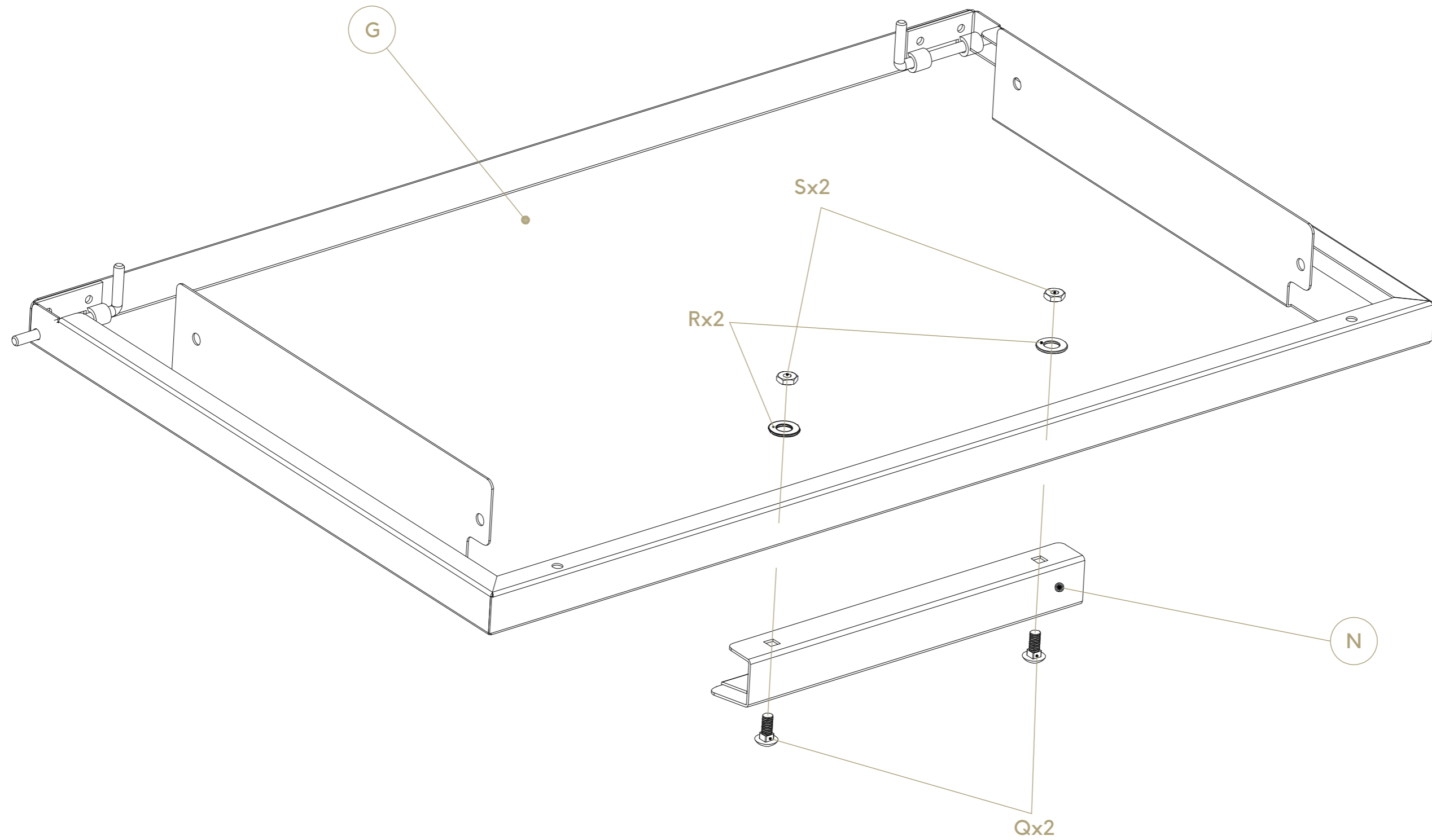




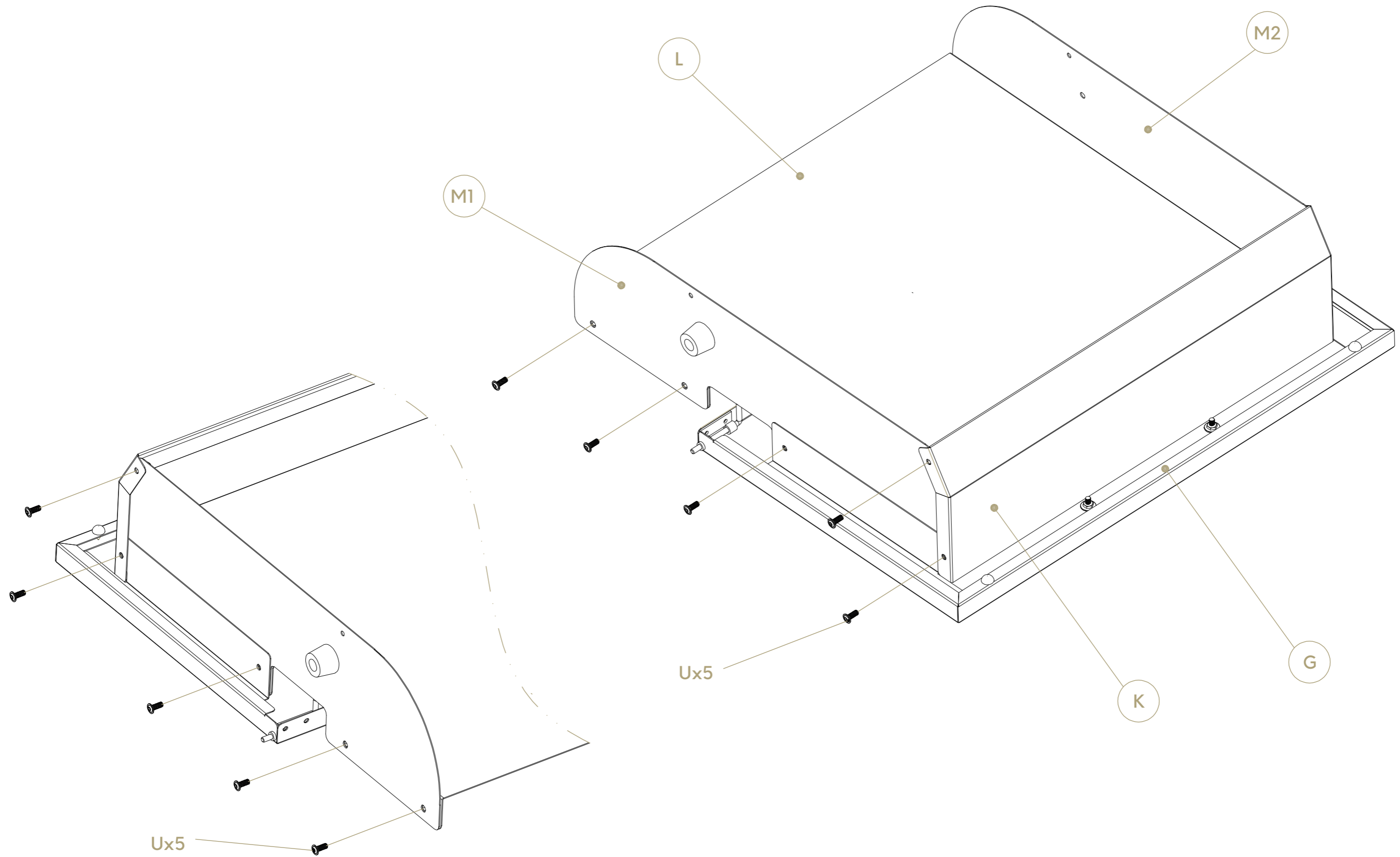
**30Min**

<p><b>Ax1</b></p> 	<p><b>Bx1</b></p> <p>Gradient</p> <p>one hole</p> <p>two holes</p> <p>Pay attention to the direction of these holes</p> 	<p><b>Cx1</b></p> <p>one hole</p> <p>Gradient</p> <p>two holes</p> <p>Pay attention to the direction of these holes</p> 	<p><b>Dx1</b></p> 	<p><b>Ex1</b></p> 	<p><b>Fx1</b></p> 		
<p><b>Gx1</b></p> 	<p><b>Hx1</b></p> 	<p><b>Ix1</b></p> 	<p><b>Jx1</b></p> 	<p><b>Kx1</b></p> 	<p><b>Lx1</b></p> 		
<p><b>M1x1</b></p> 	<p><b>Nx2</b></p> 	<p><b>Ox1</b></p> 	<p><b>Px1</b></p> 	<p><b>Qx4</b></p>  <p>M4x8mm</p>	<p><b>Rx4</b></p>  <p>Ø6xØ12x1mm</p>	<p><b>Sx4</b></p>  <p>M4</p>	<p><b>Tx9</b></p>  <p>Ø4.2xØ7x2mm</p>
<p><b>M2x1</b></p> 	<p><b>Ux30</b></p>  <p>M4x10mm</p>	<p><b>Vx6</b></p>  <p>M4x16mm</p>	<p><b>Wx4</b></p> 	<p><b>Yx4</b></p> 	<p><b>Zx1</b></p> 		

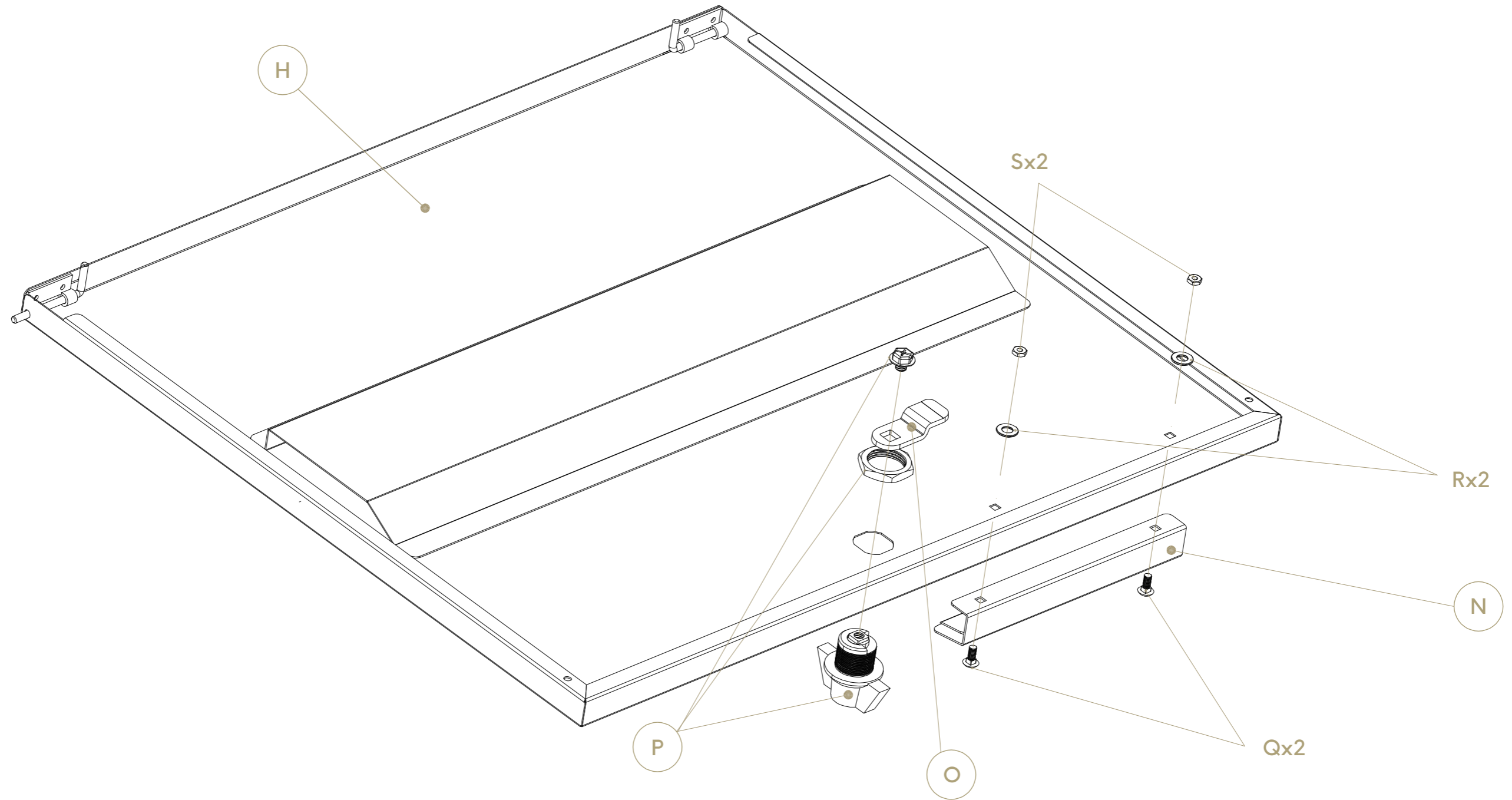
# Schritt 1



# Schritt 2

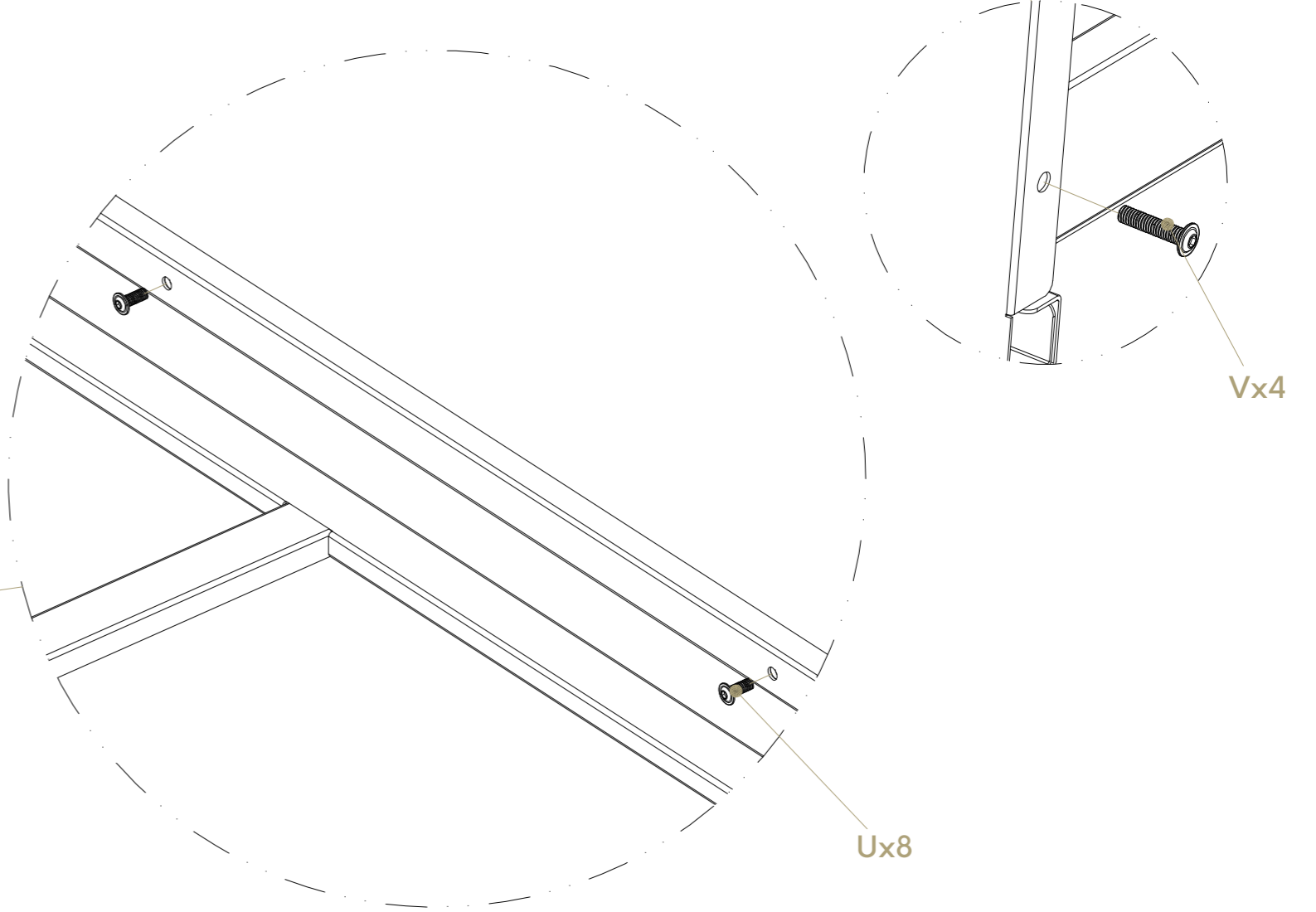
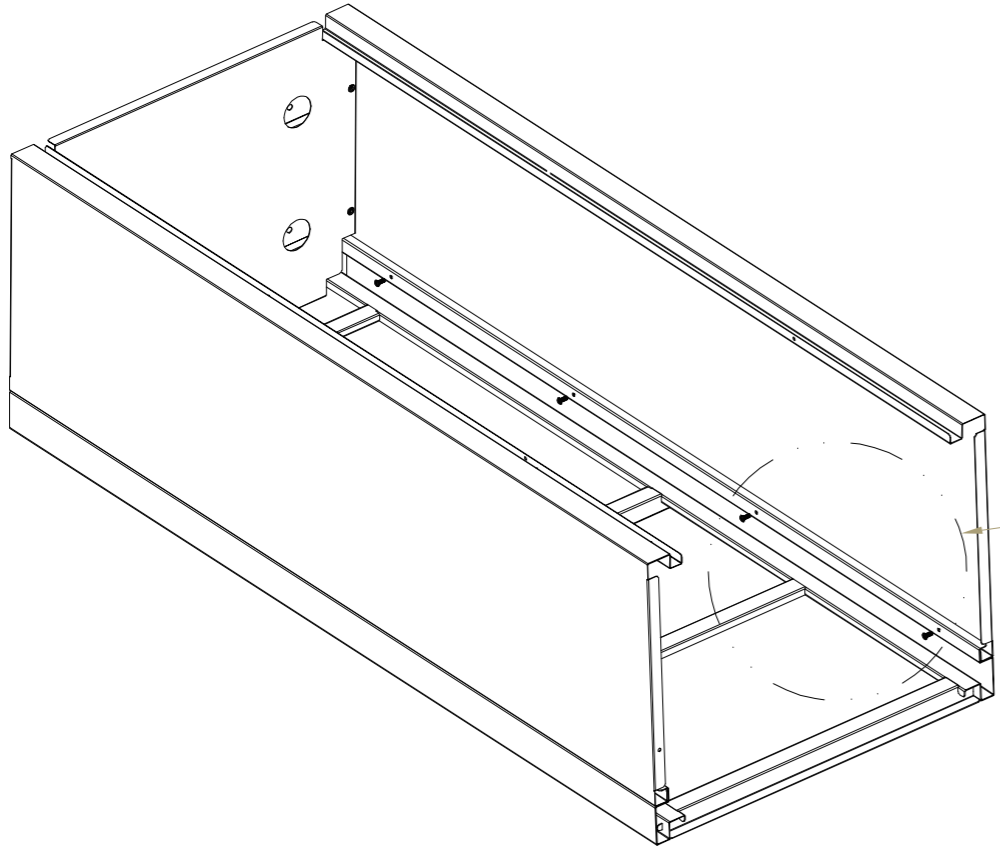
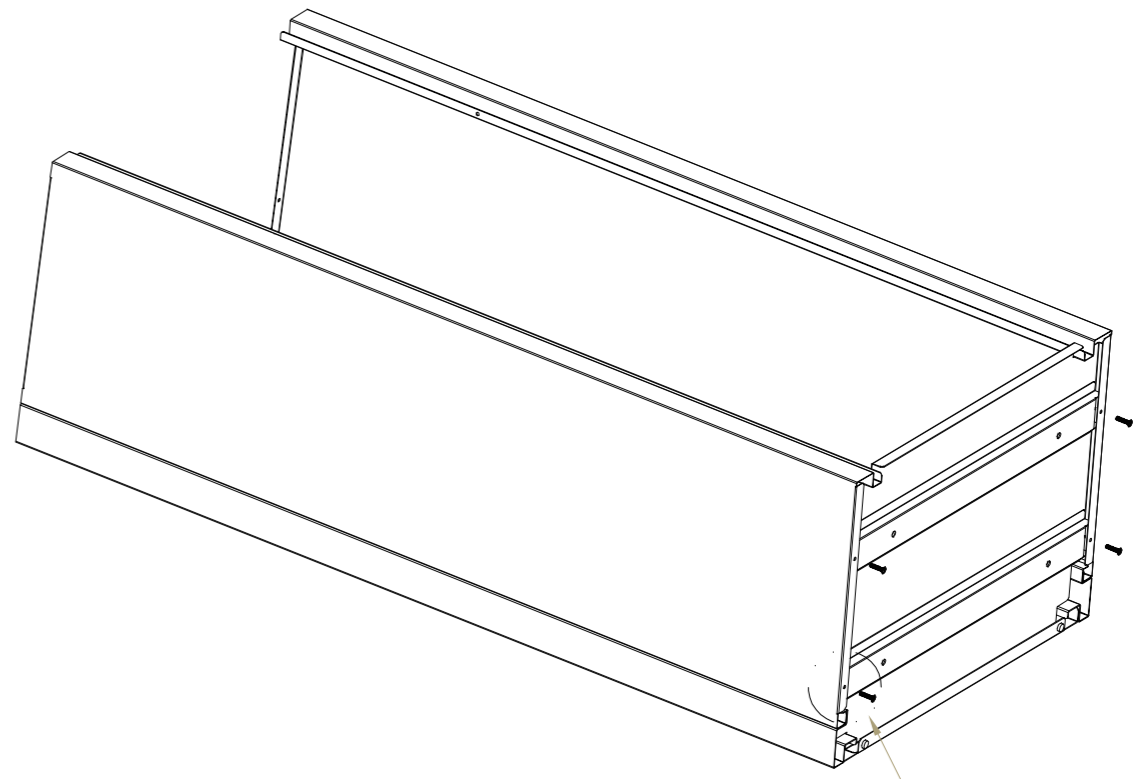
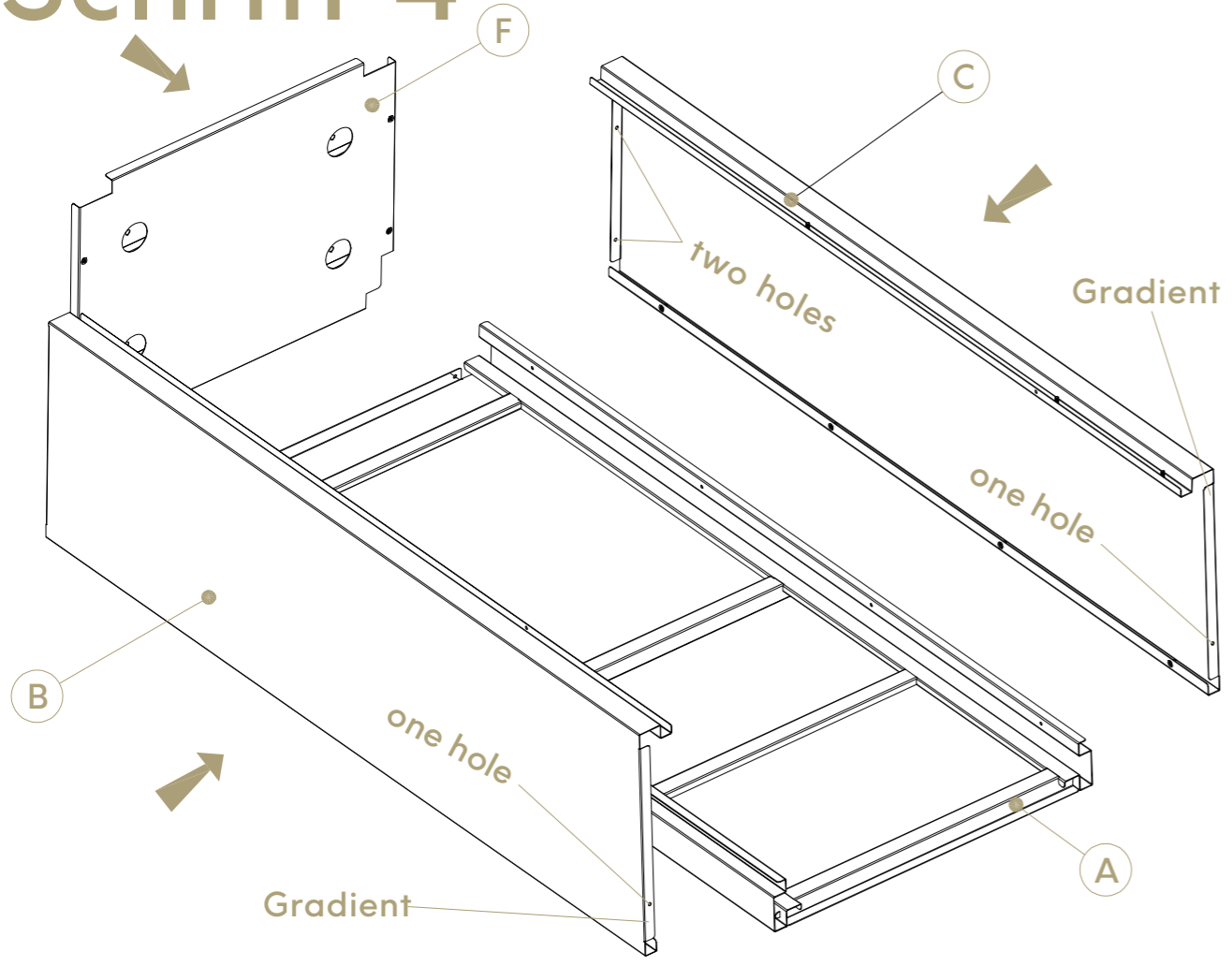


# Schritt 3

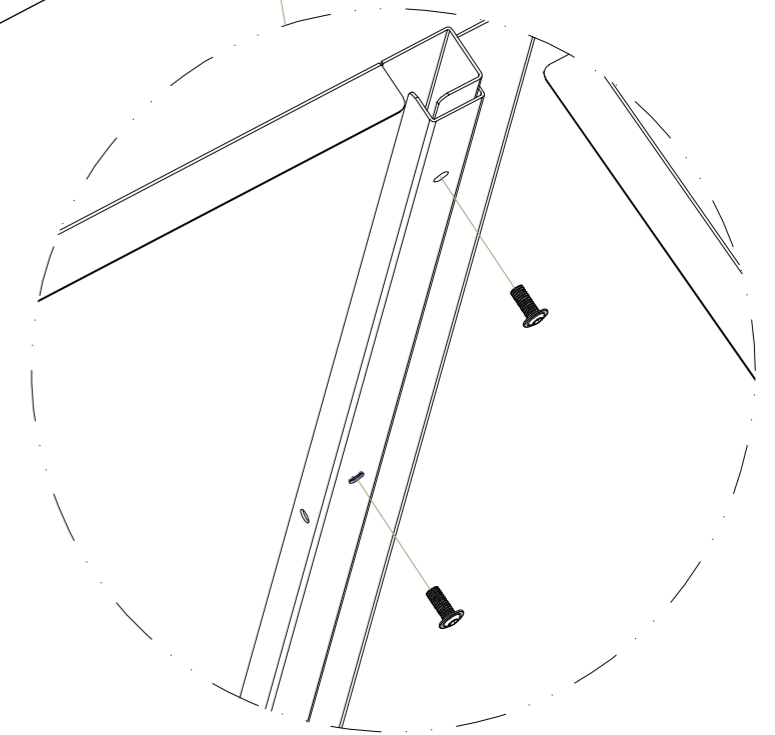
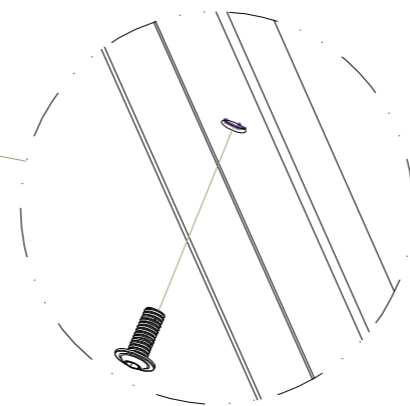
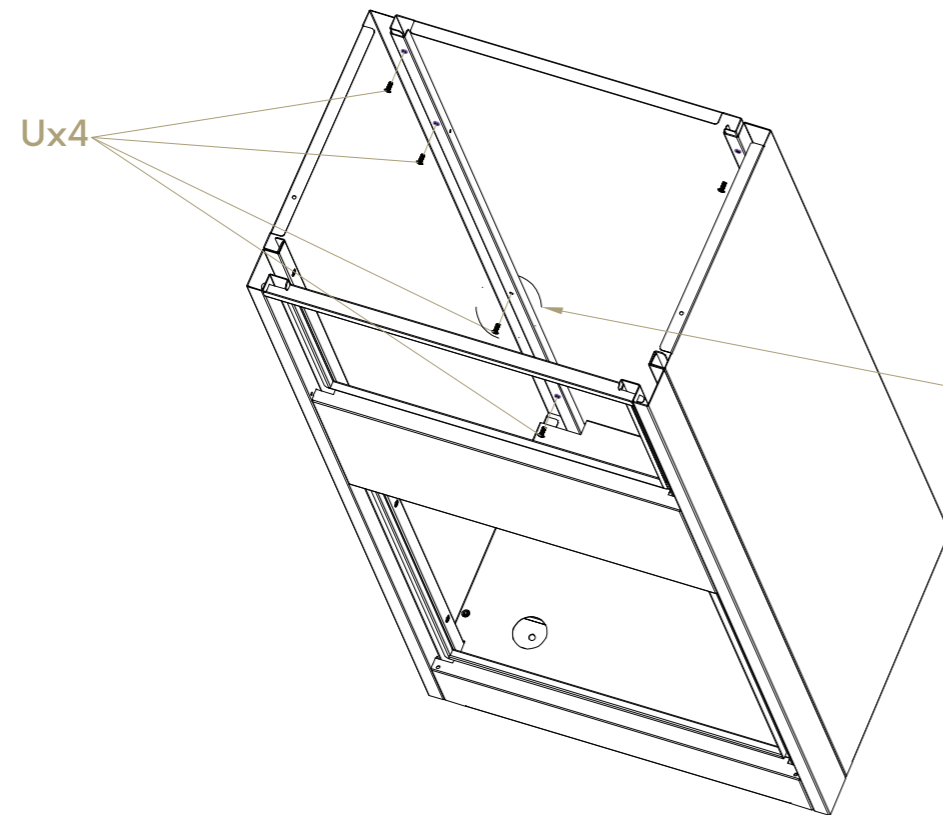
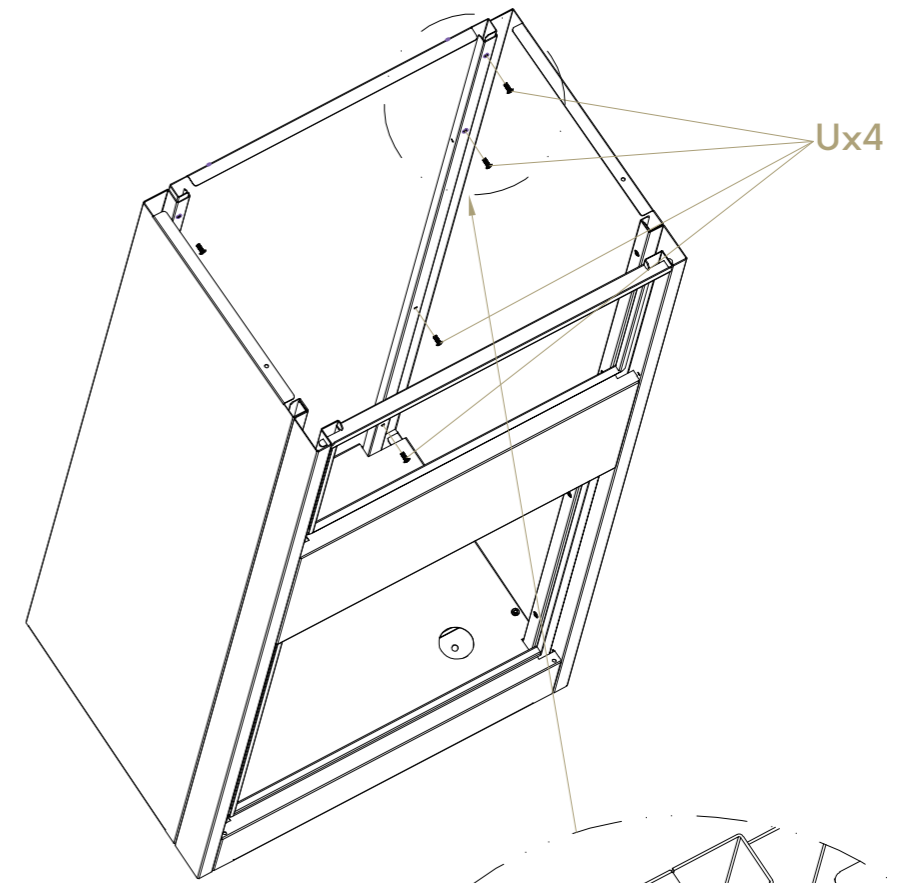
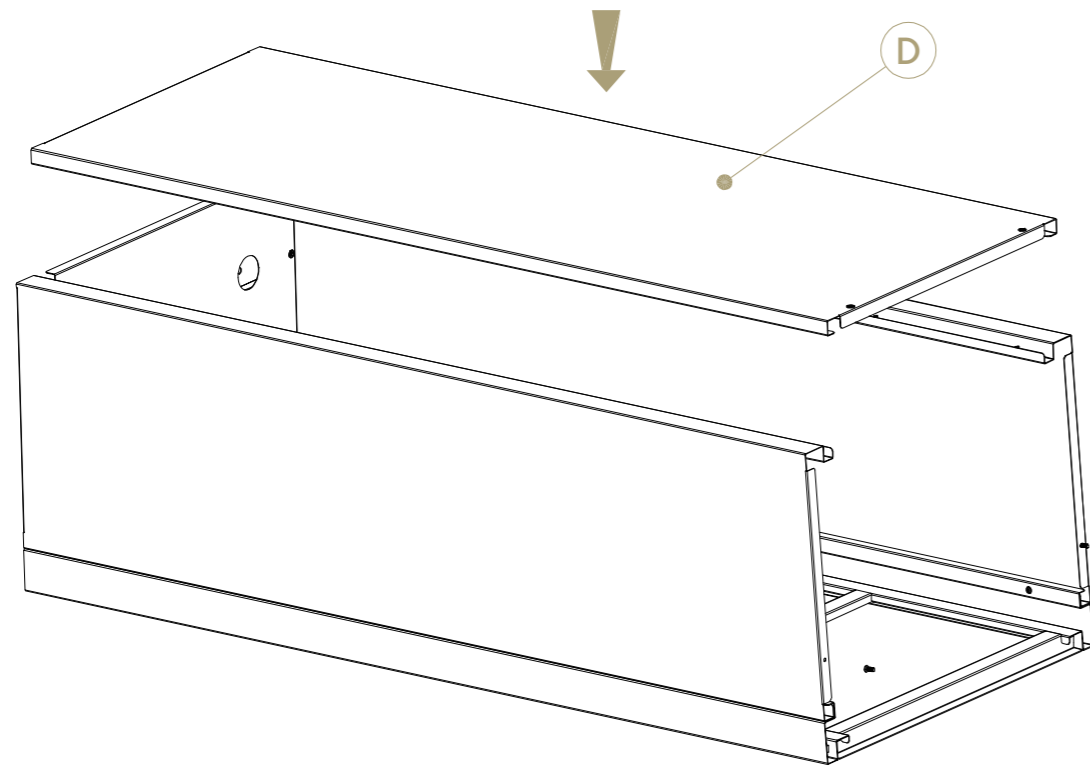


# Schritt 4

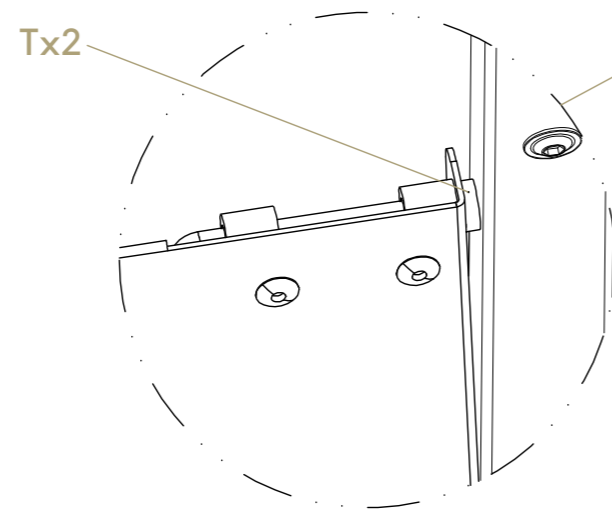
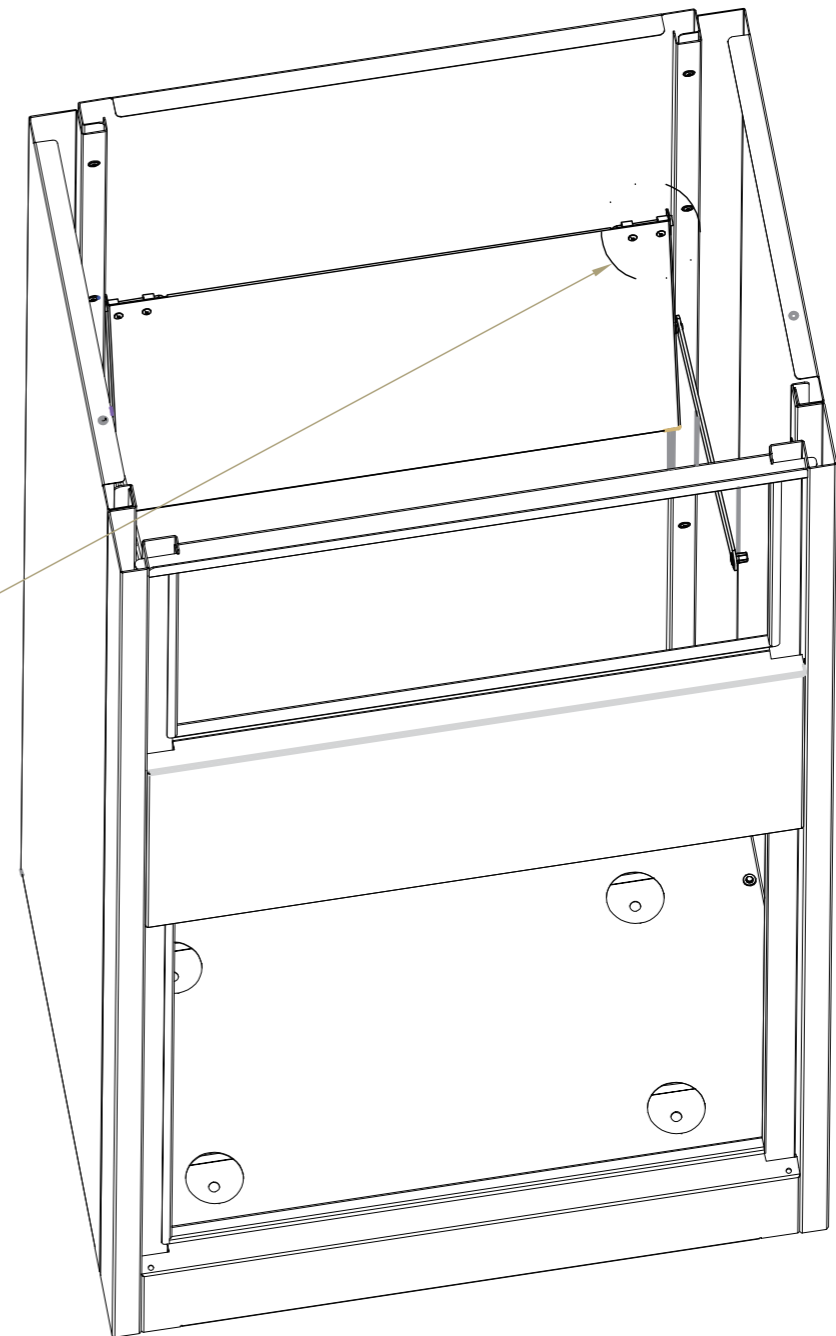
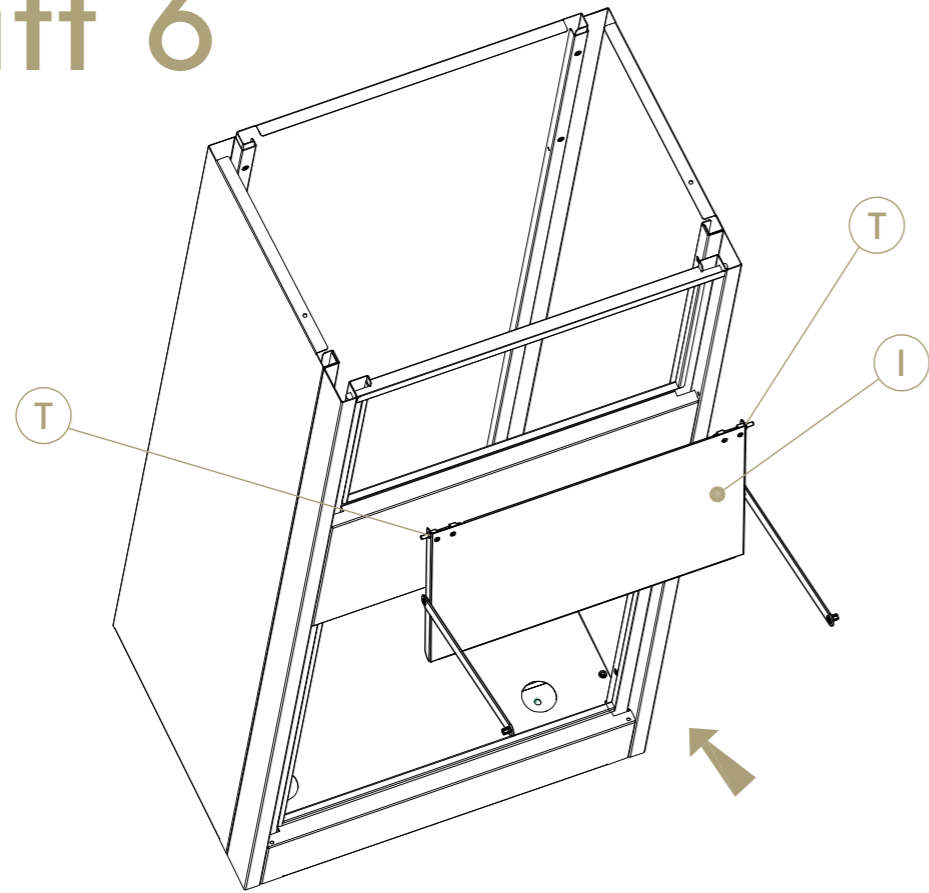
pay attention to the direction of these holes



# Schritt 5

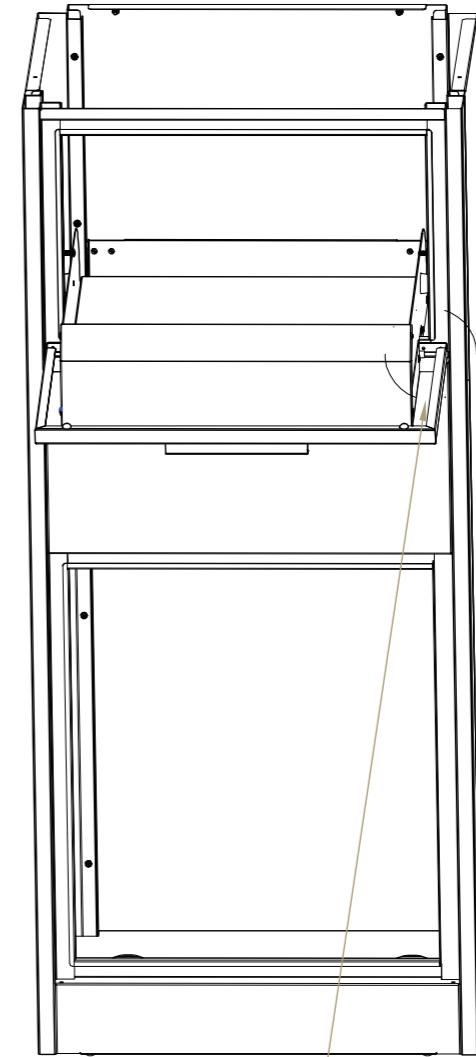
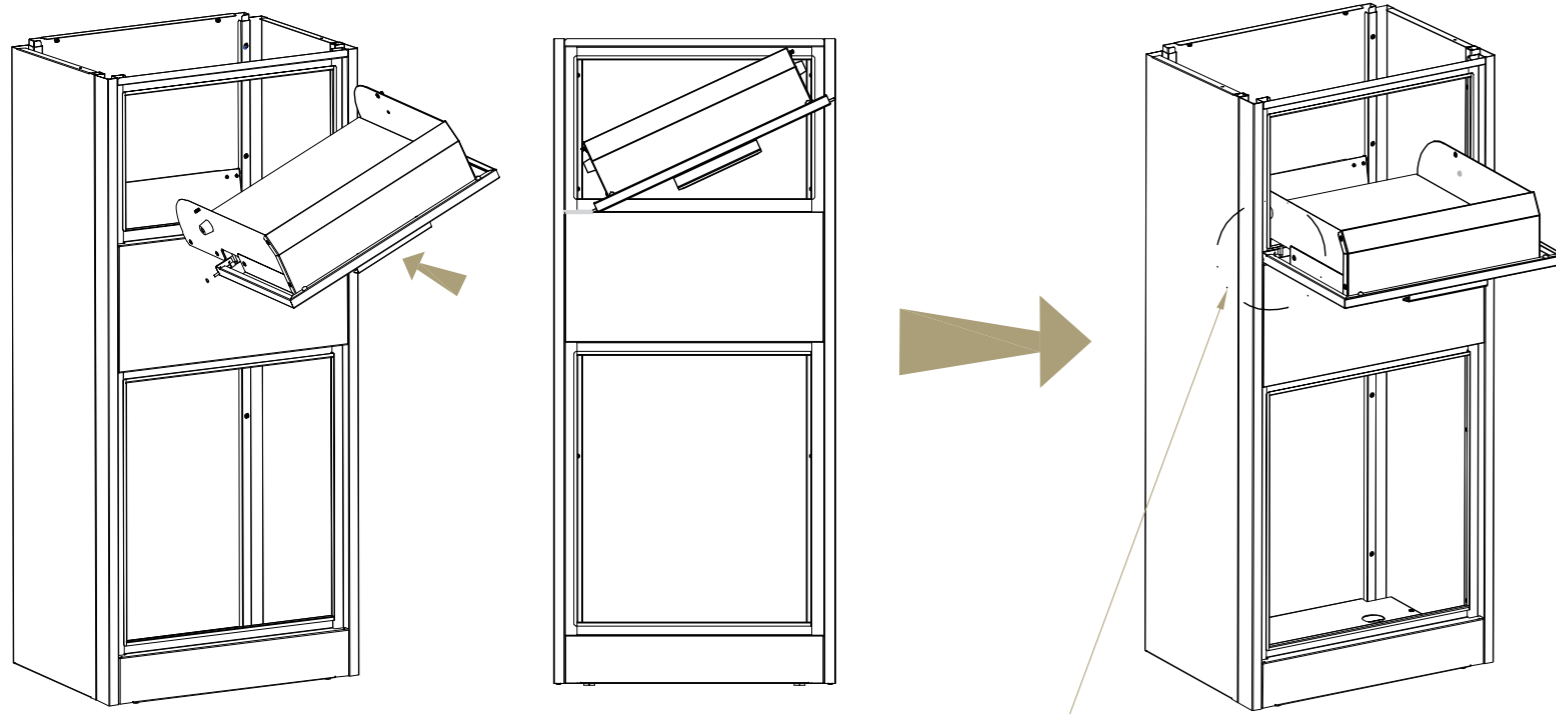


# Schritt 6

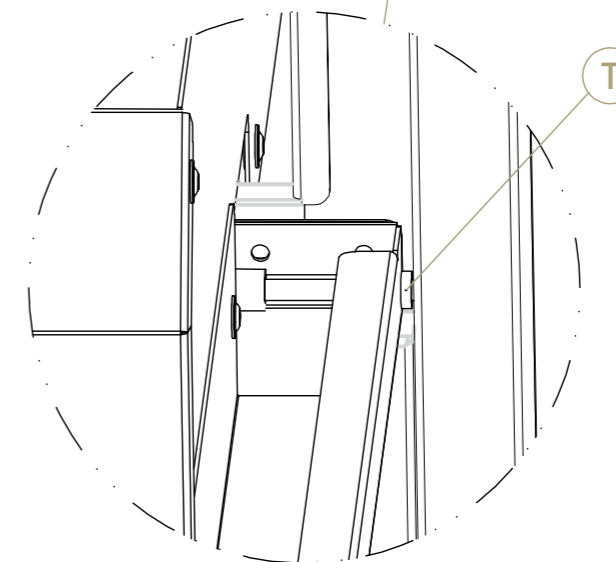
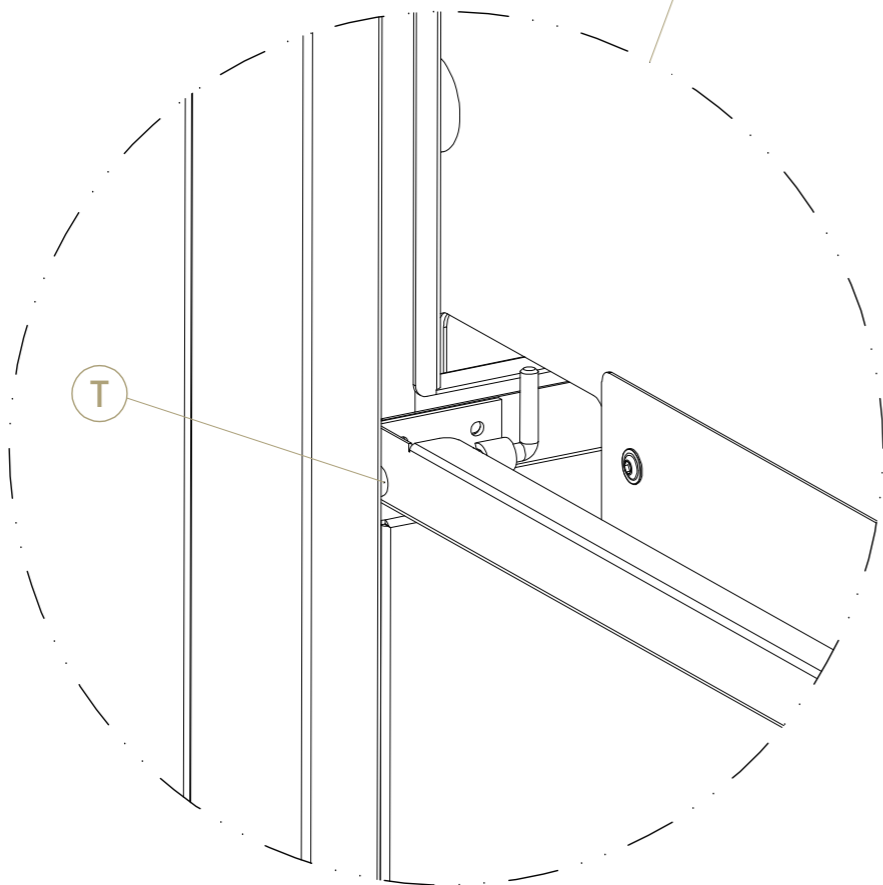


Finished view

# Schritt 7

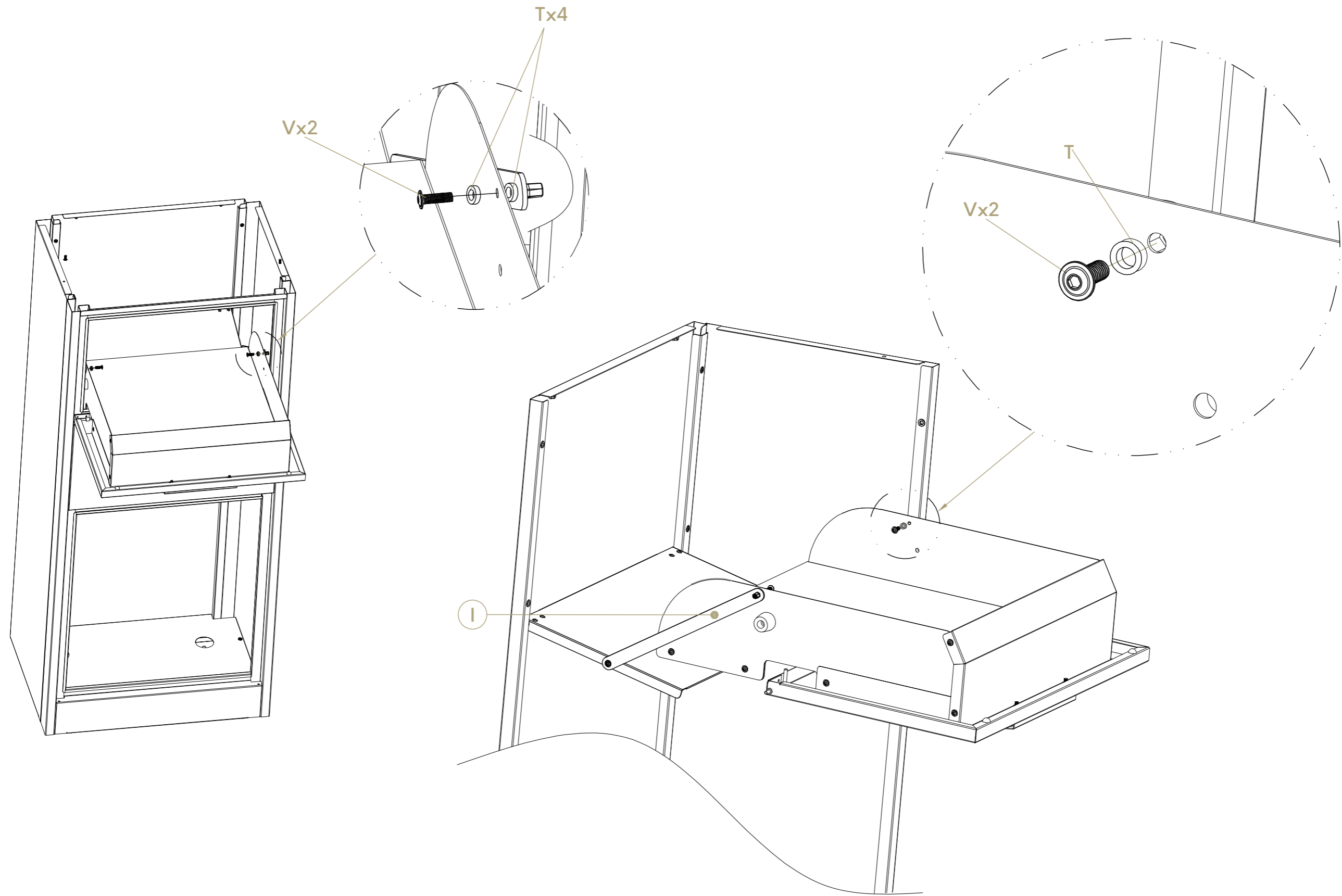


Finished view

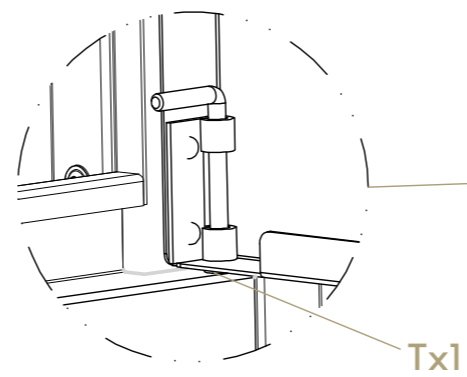
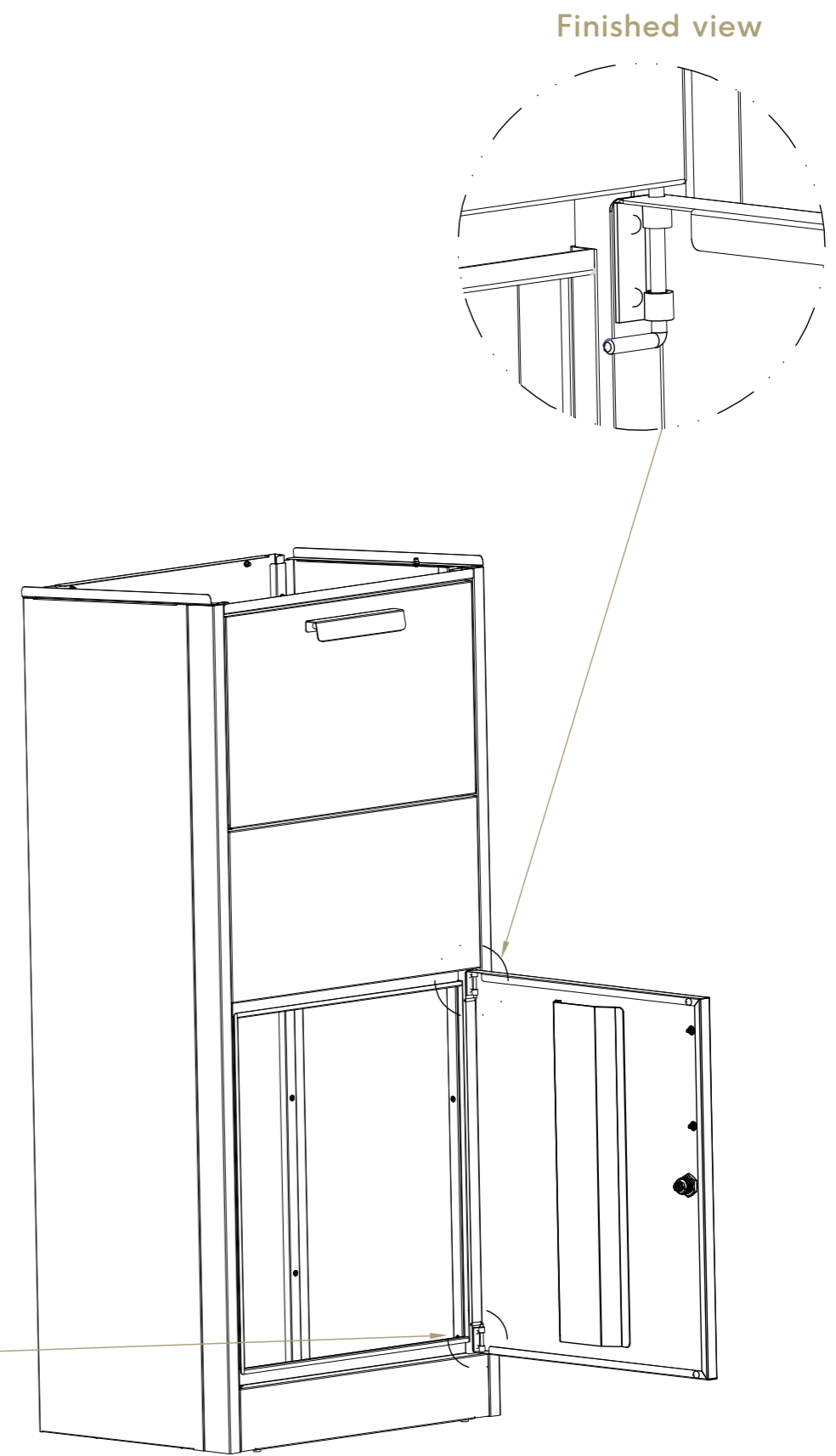
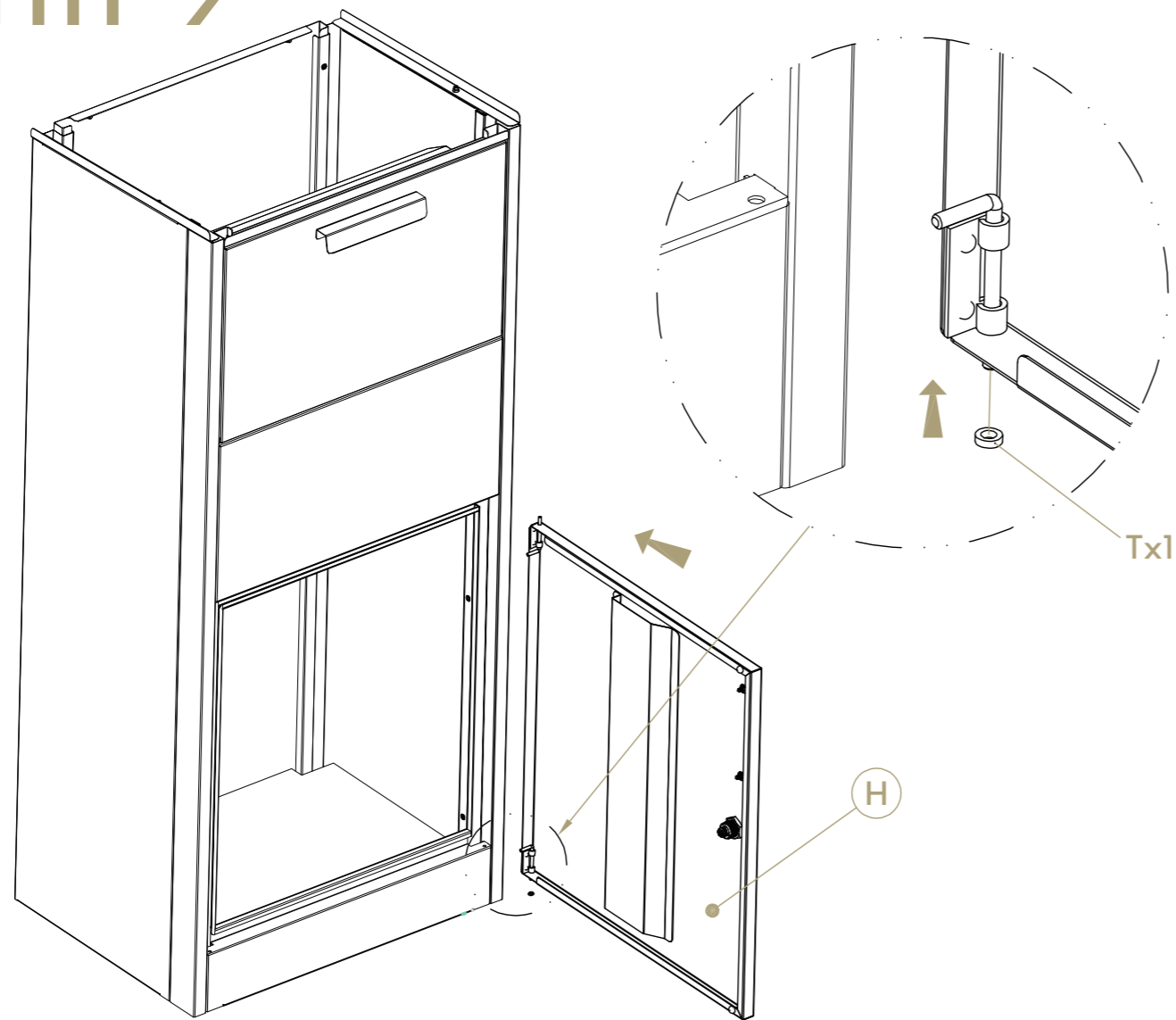


Finished view

# Schritt 8

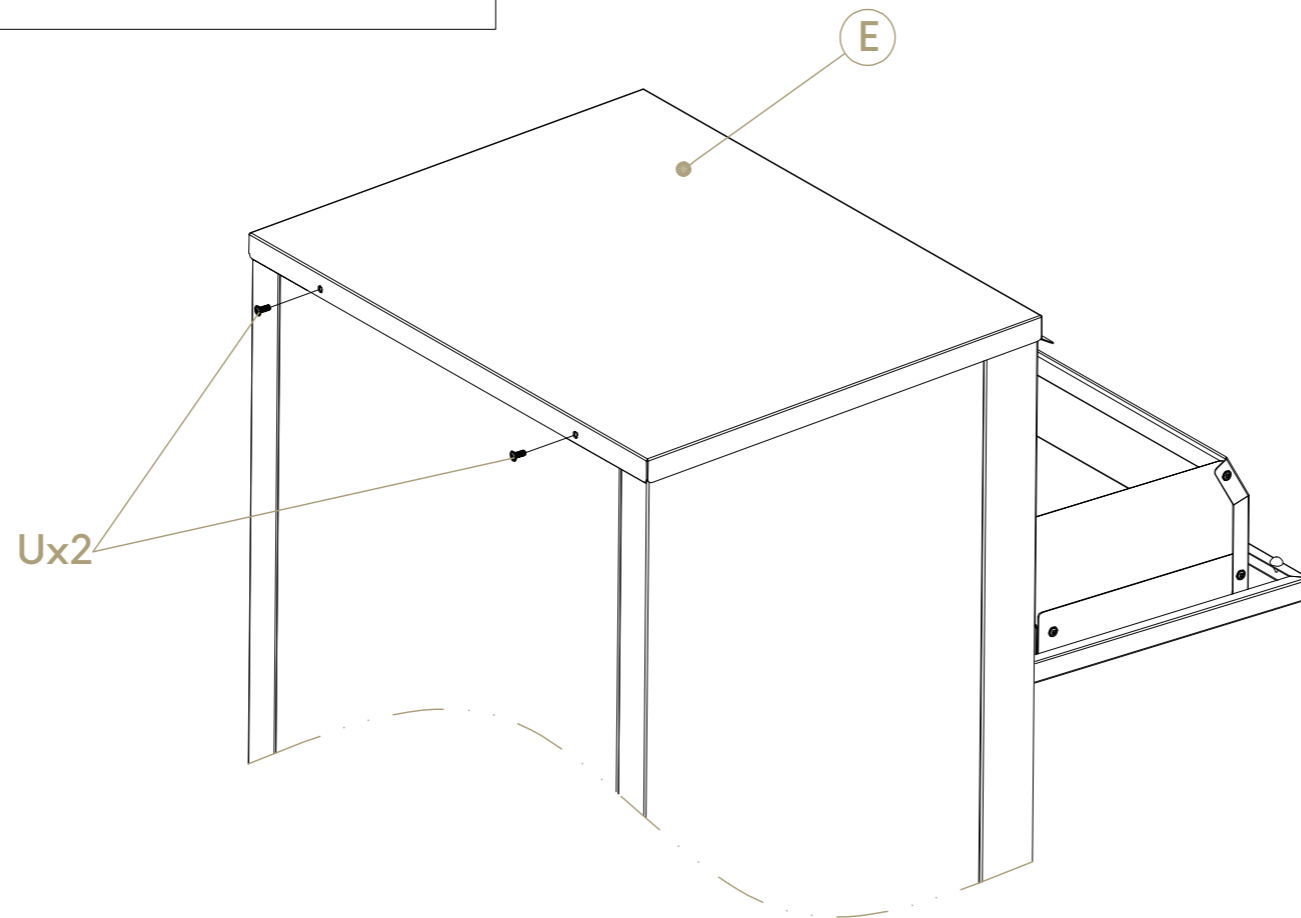
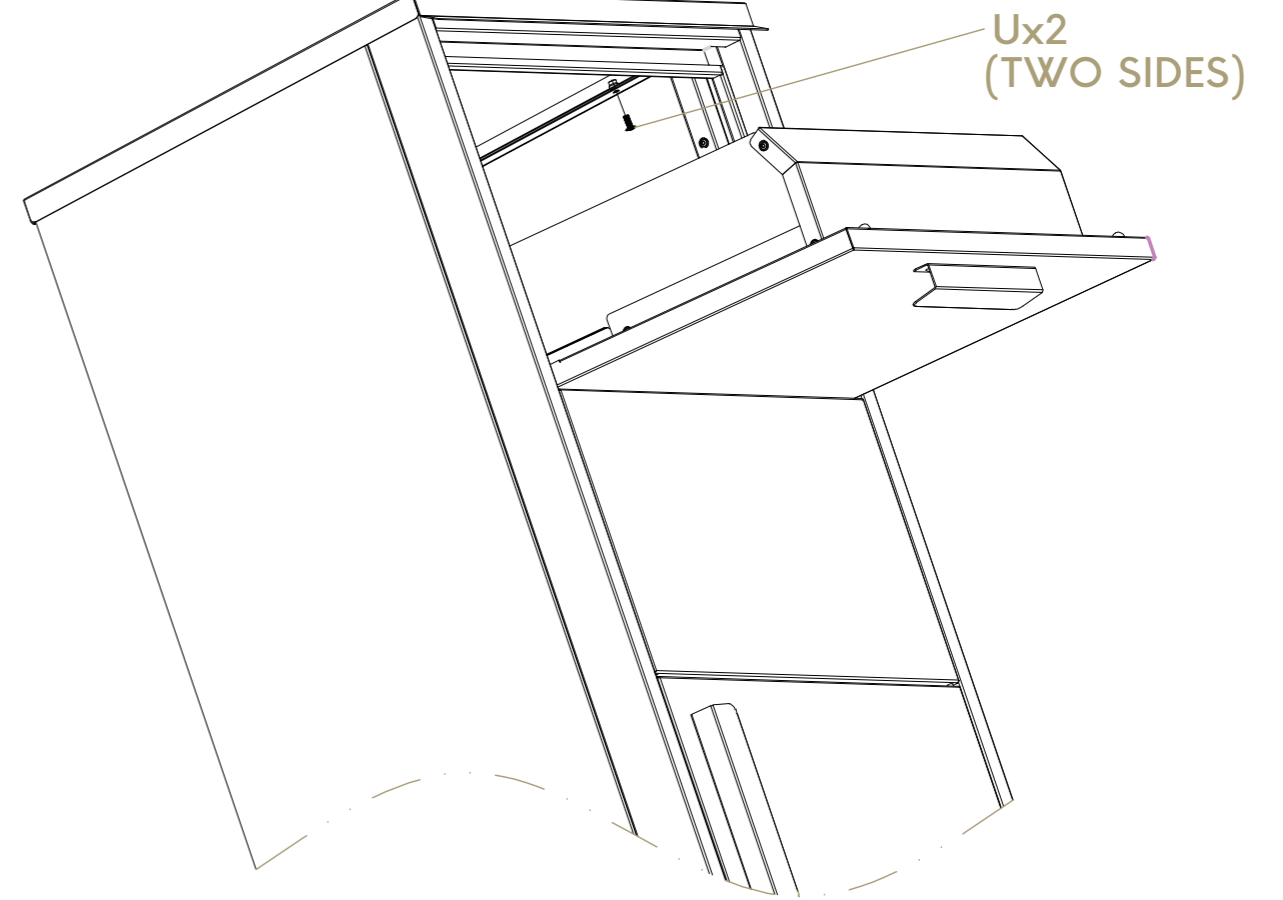
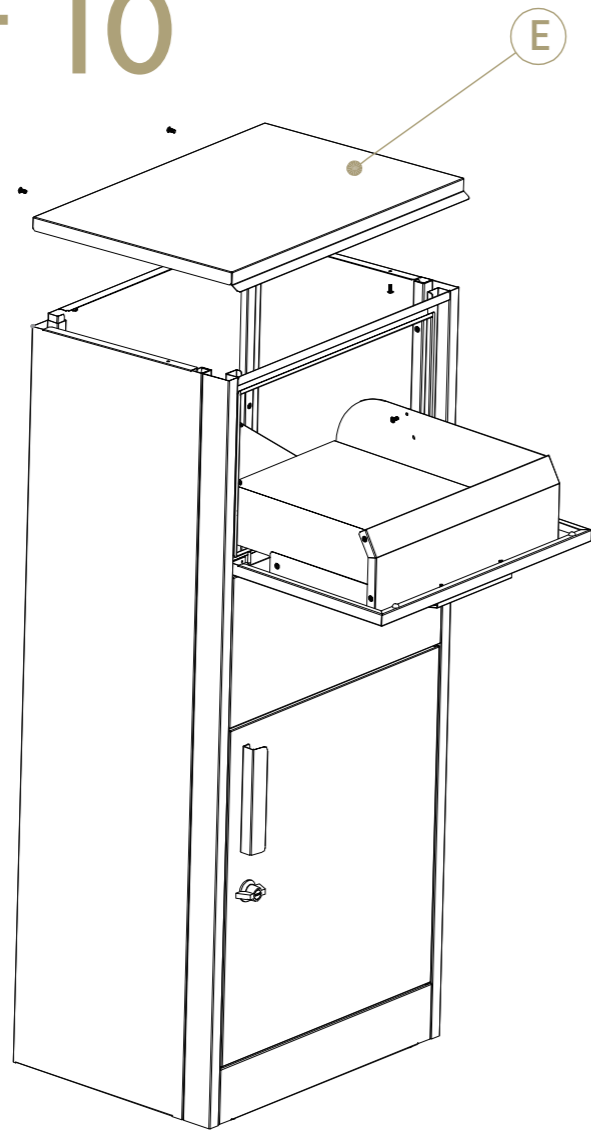


# Schritt 9

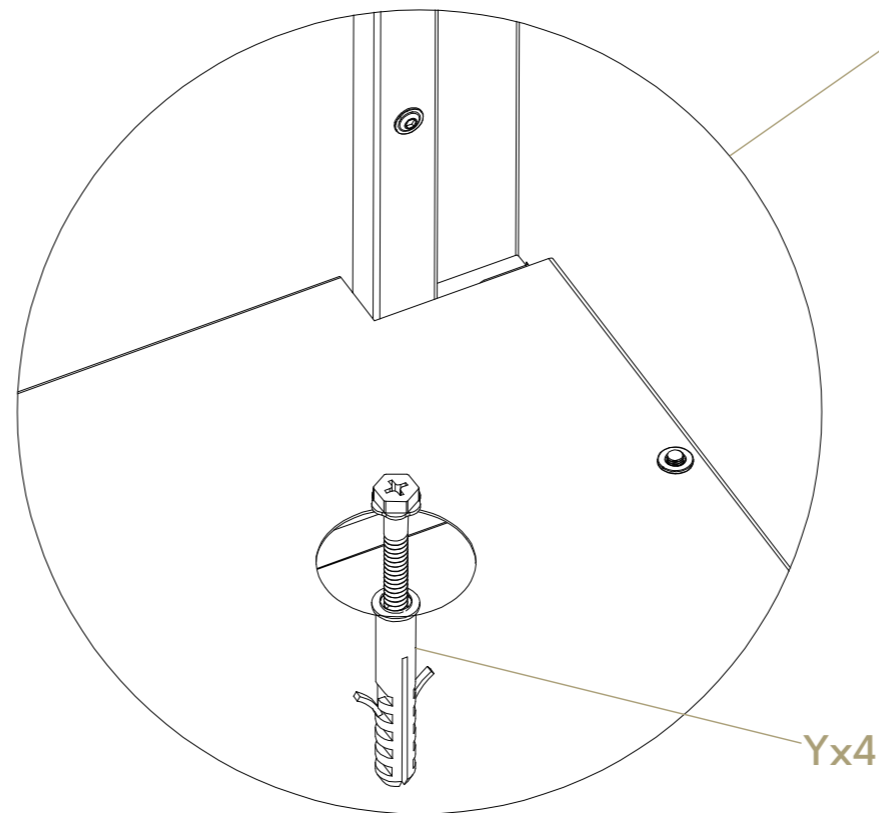
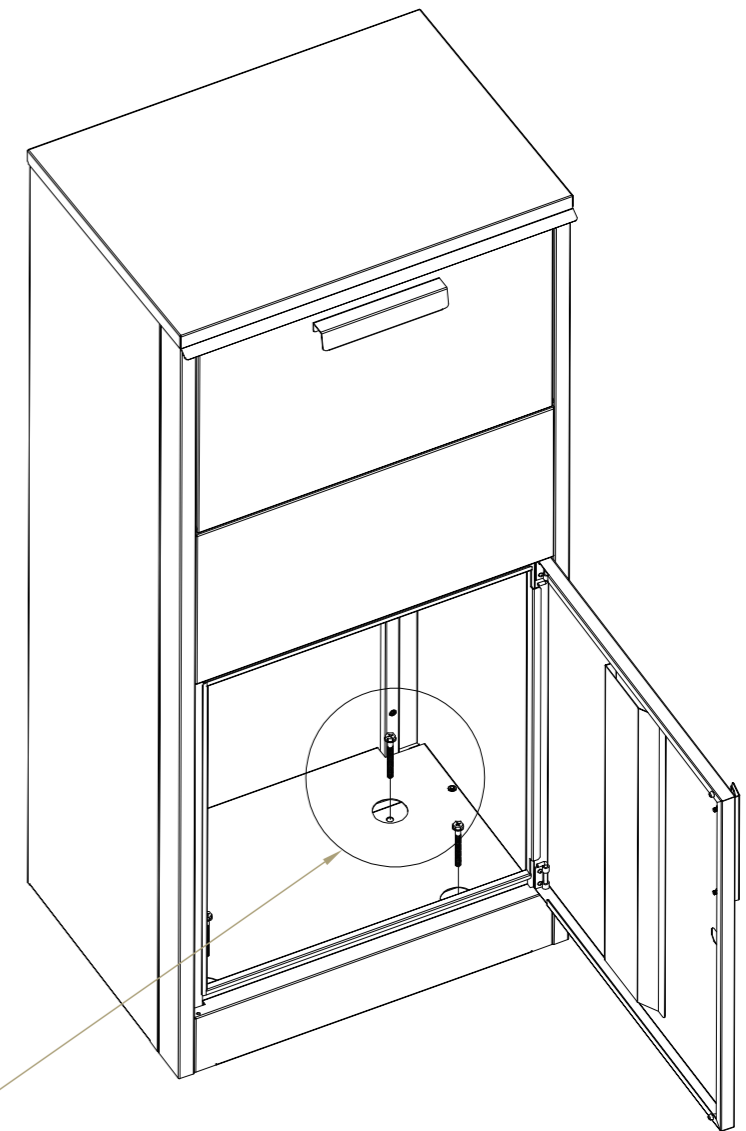
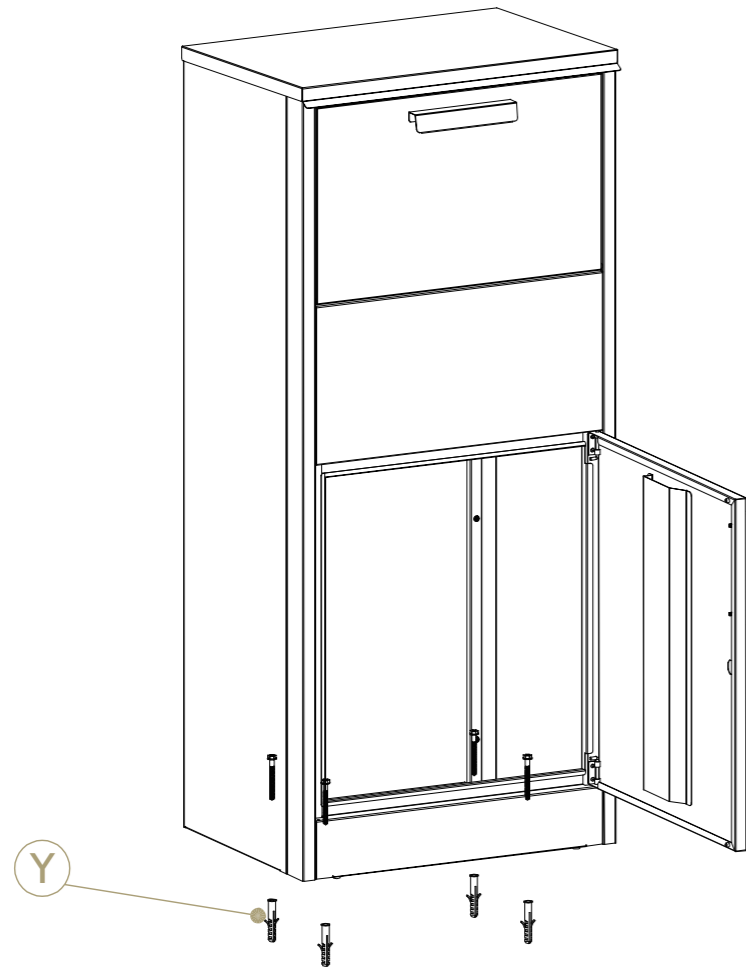


Finished view

# Schritt 10



# Schritt 11



# Schritt 12

