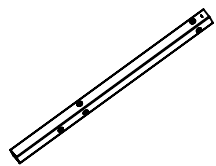
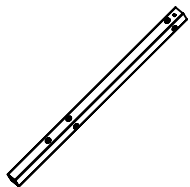


30Min

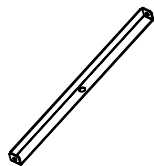
A×1



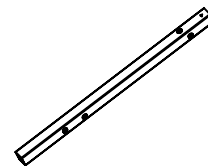
B×1



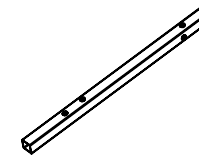
C×2



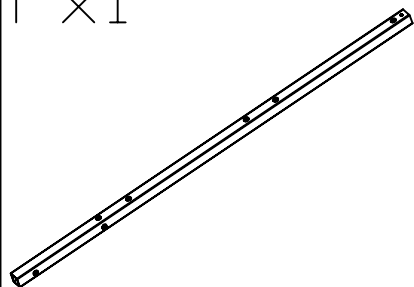
D×1



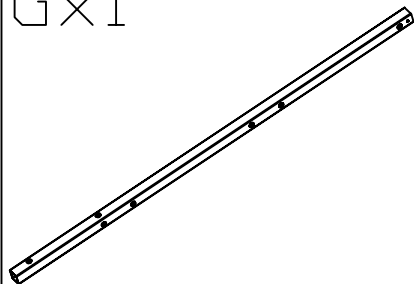
E×1



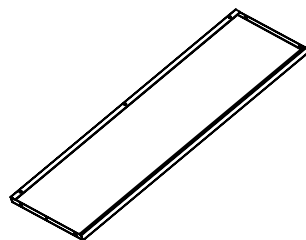
F×1



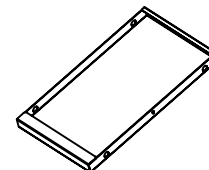
G×1



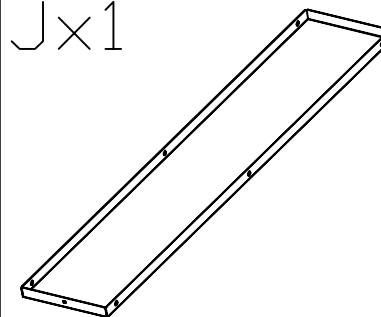
H×2



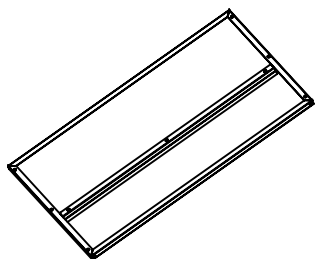
I×2



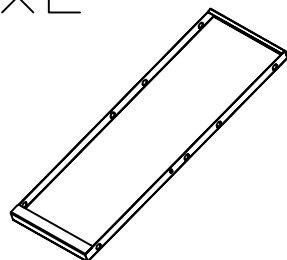
J×1



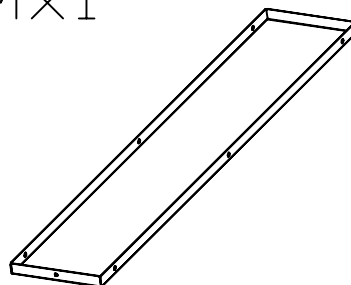
K×1



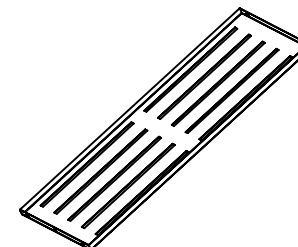
L×2



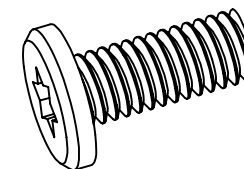
M×1



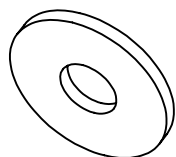
N×2



O×50

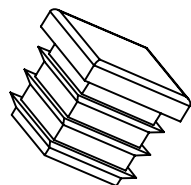


P×50

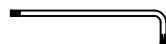


∅4×∅L×1mm

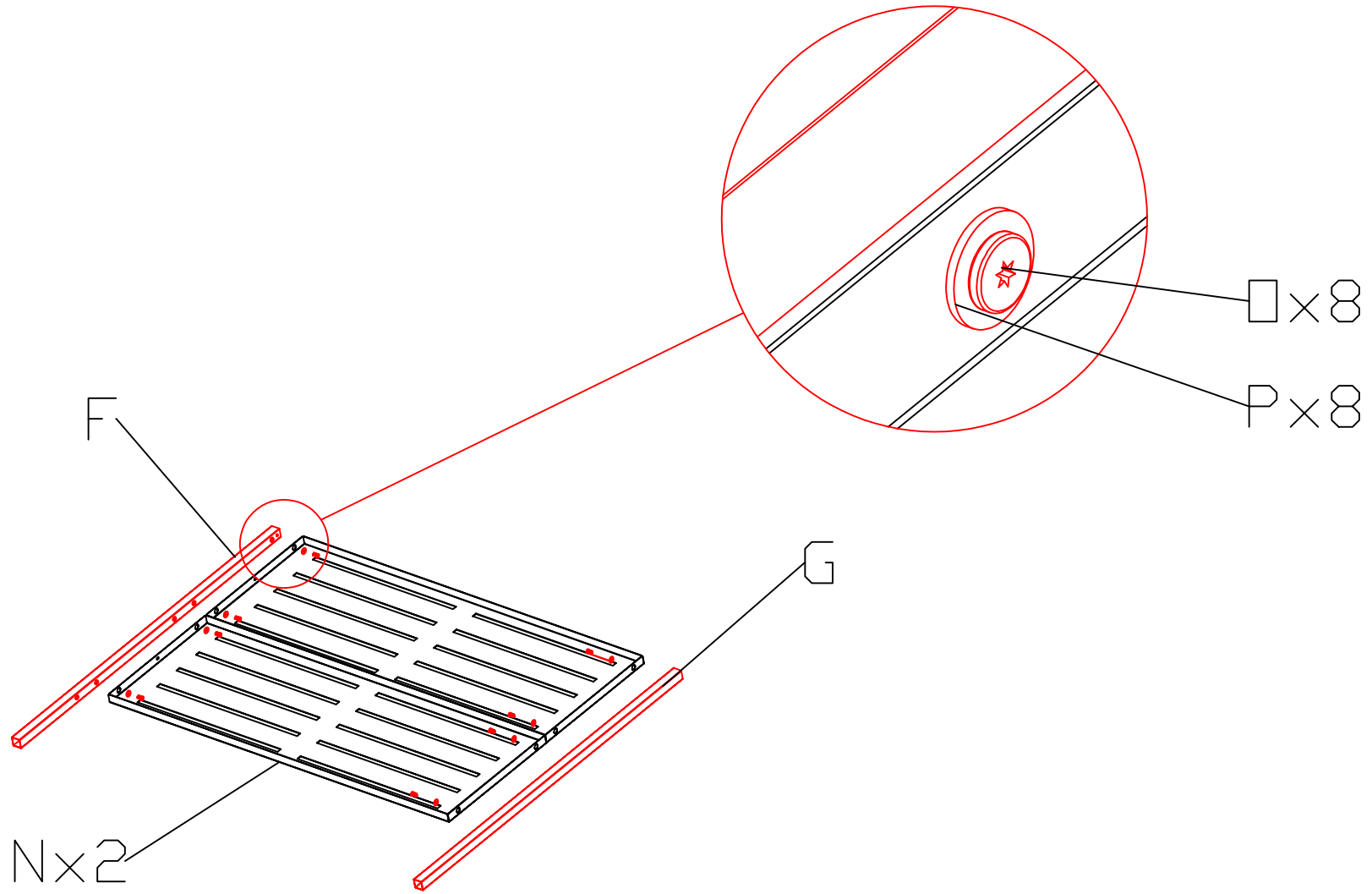
Q×8



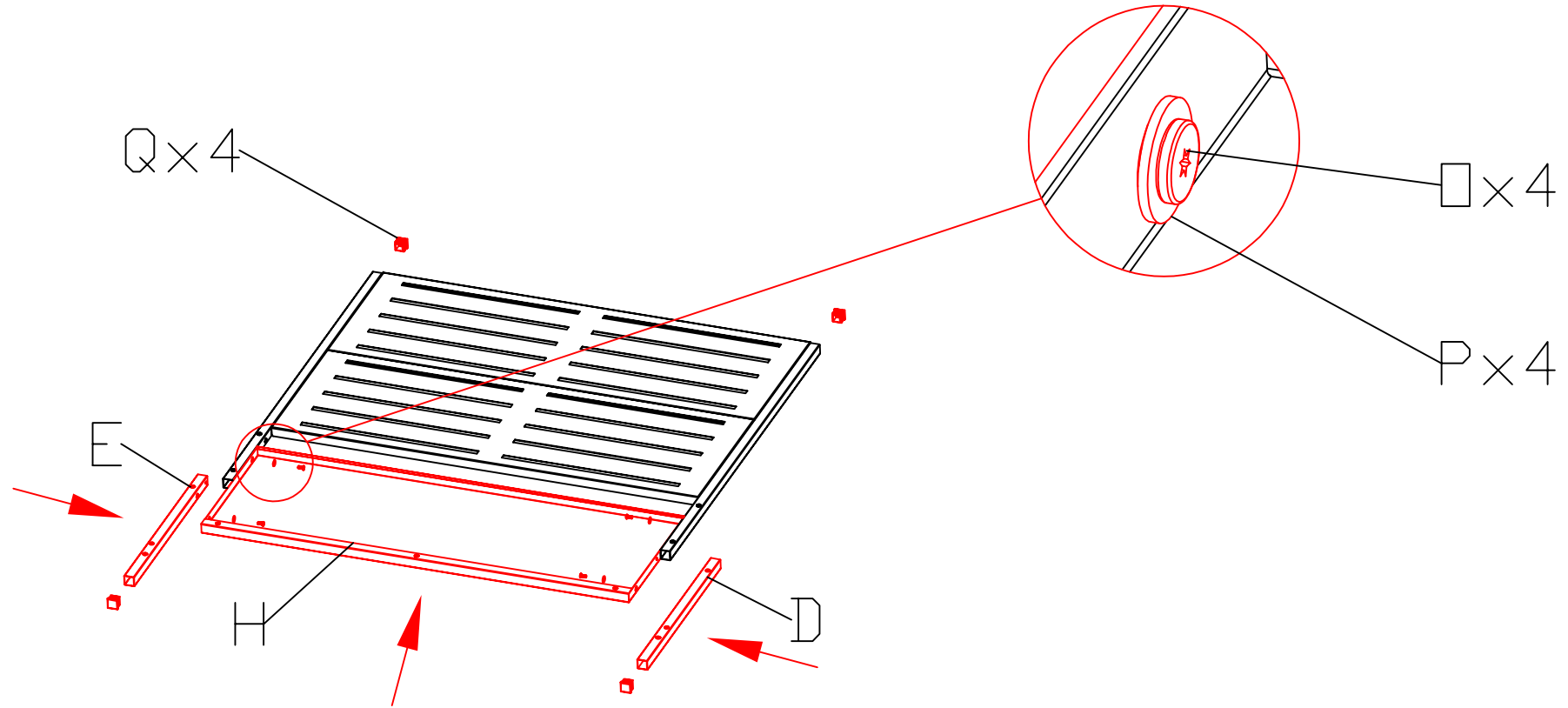
R×1



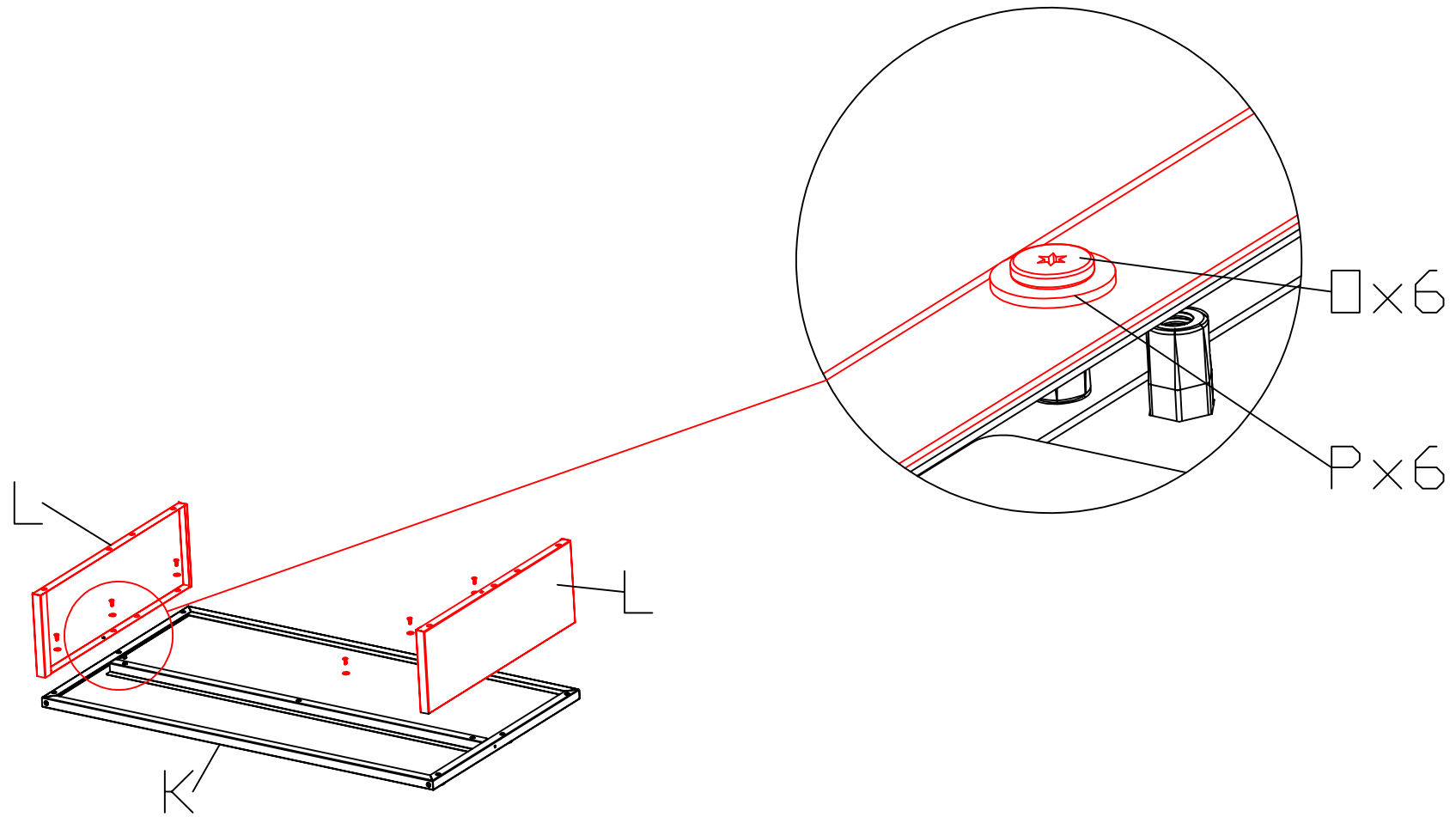
# STEP1



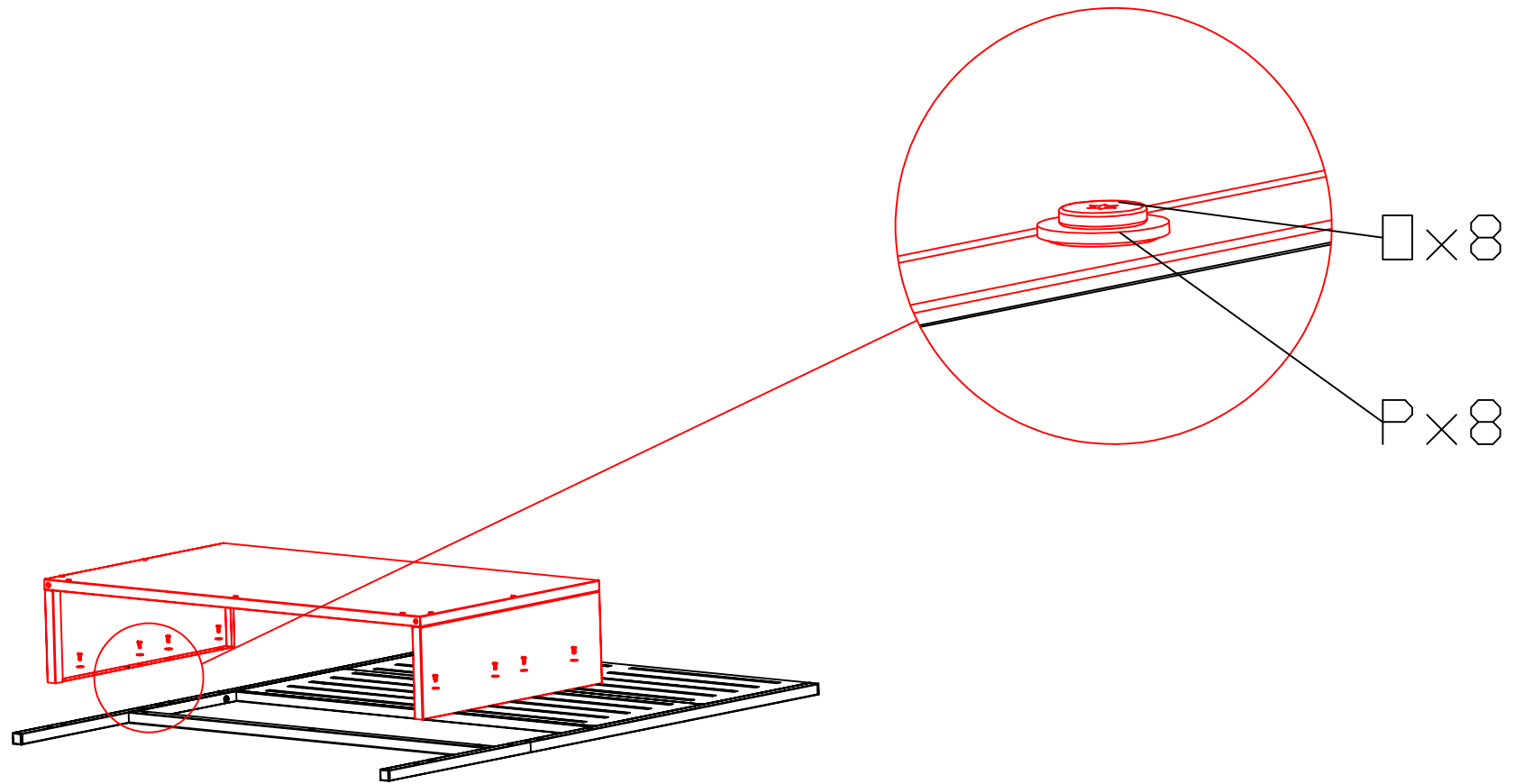
# STEP2



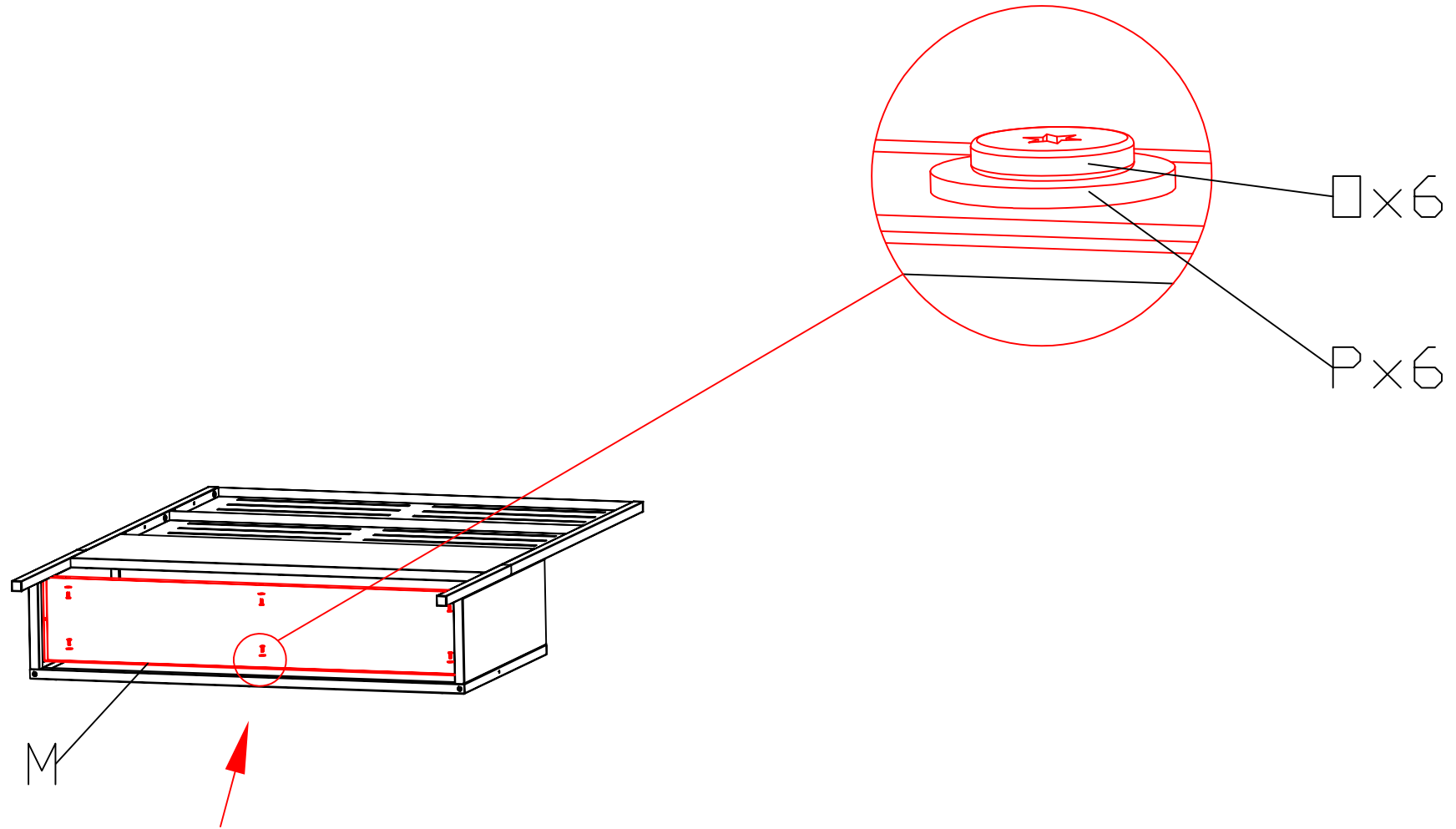
# STEP 3



# STEP 4

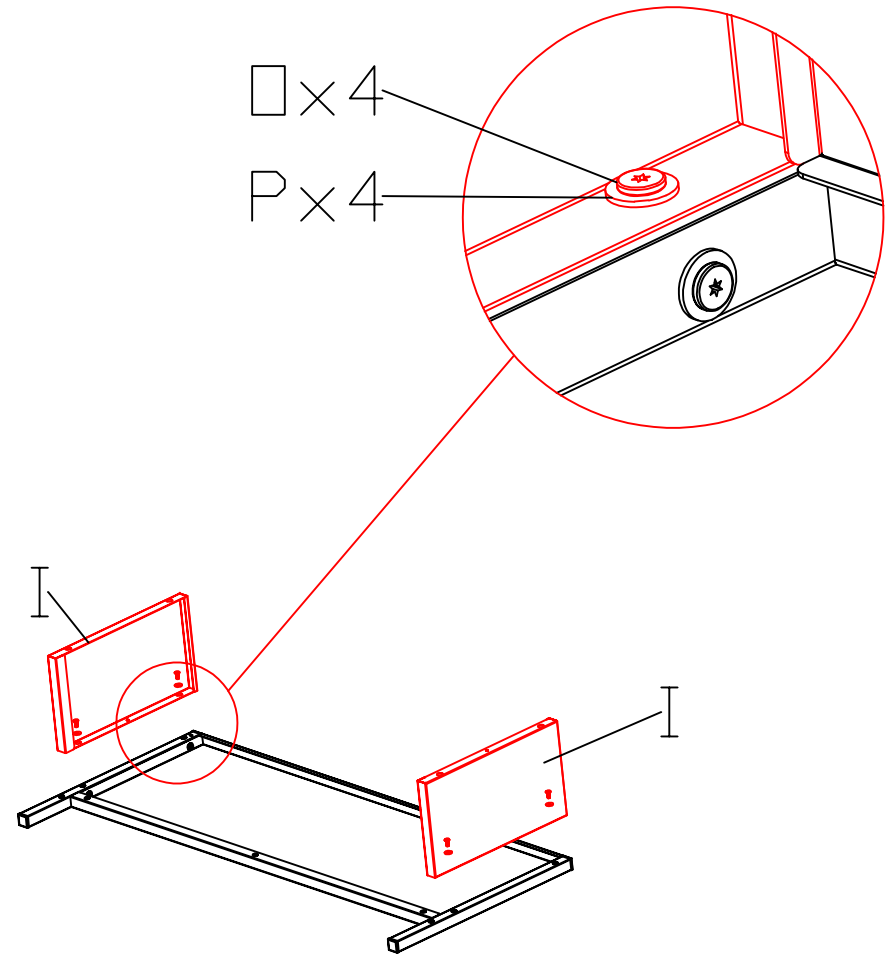
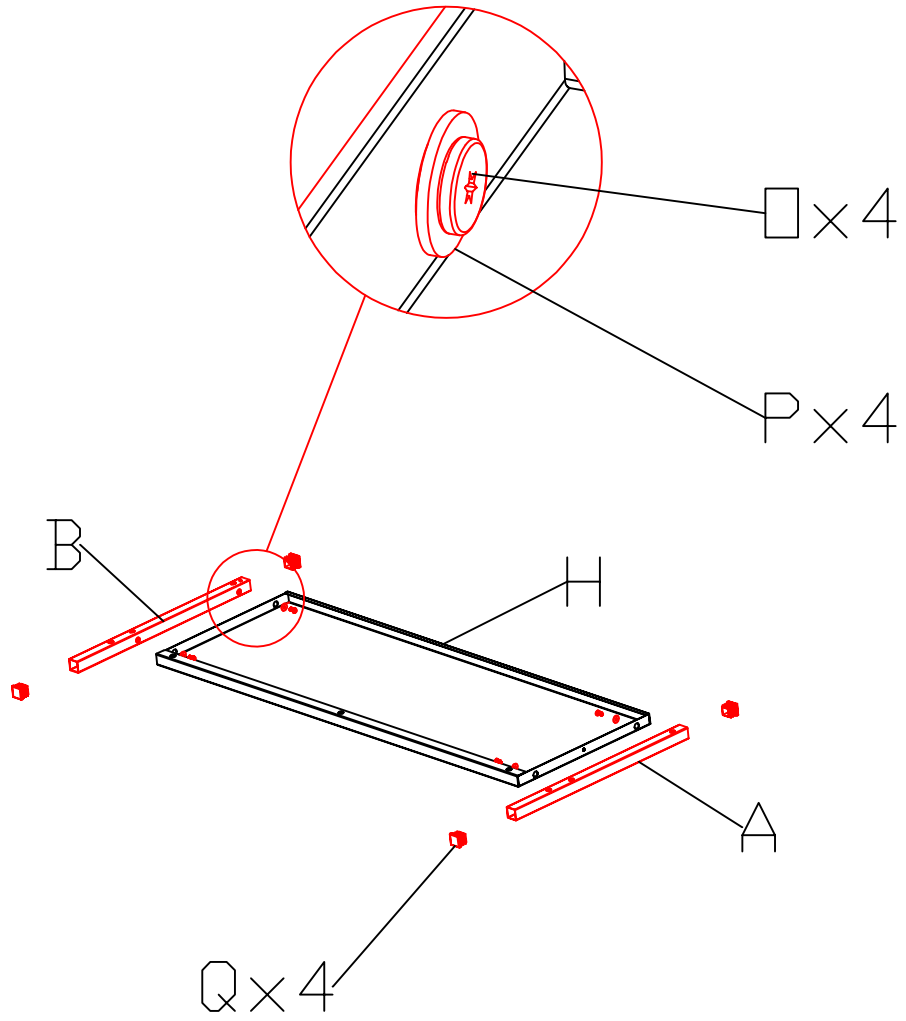


# STEP 5

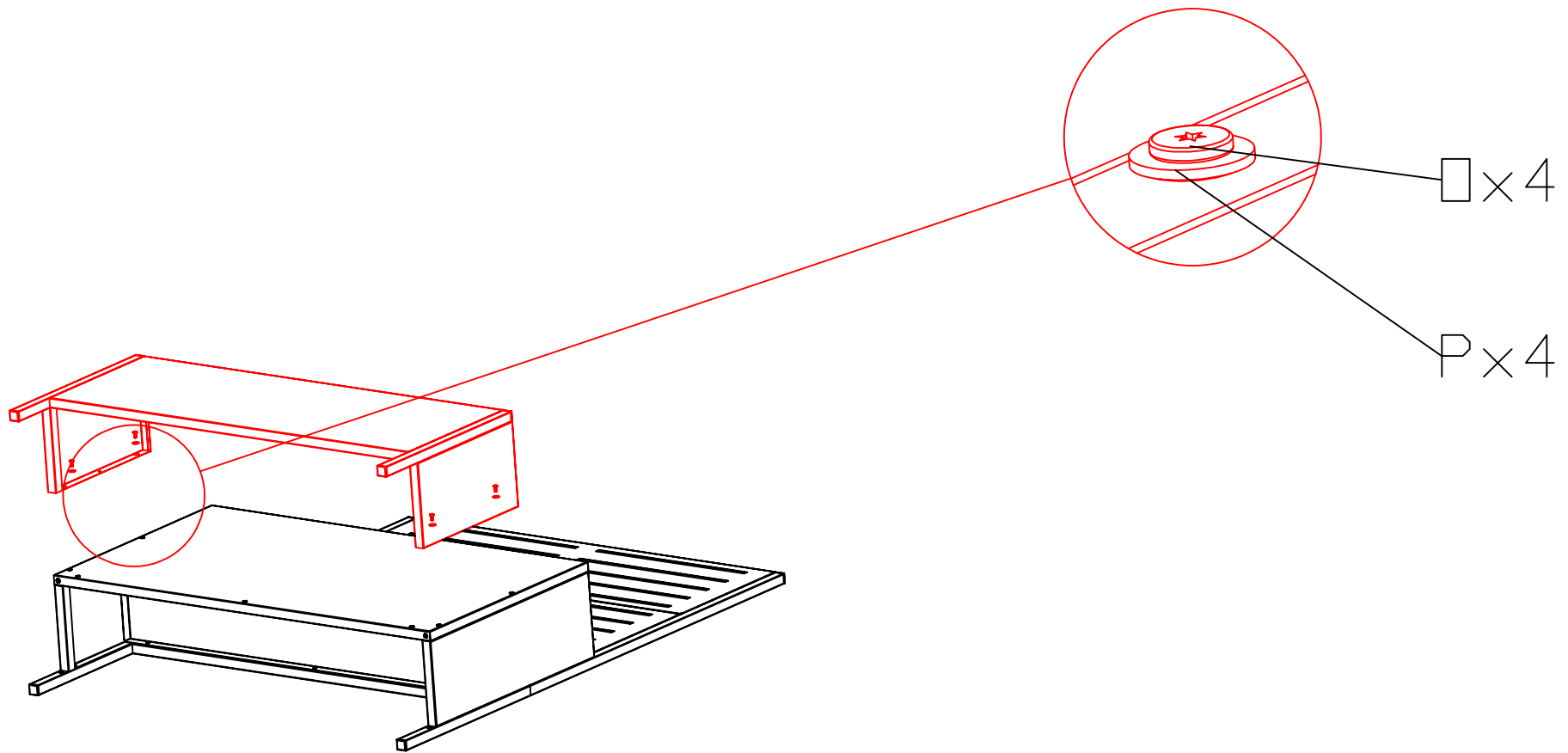


# STEP6-1

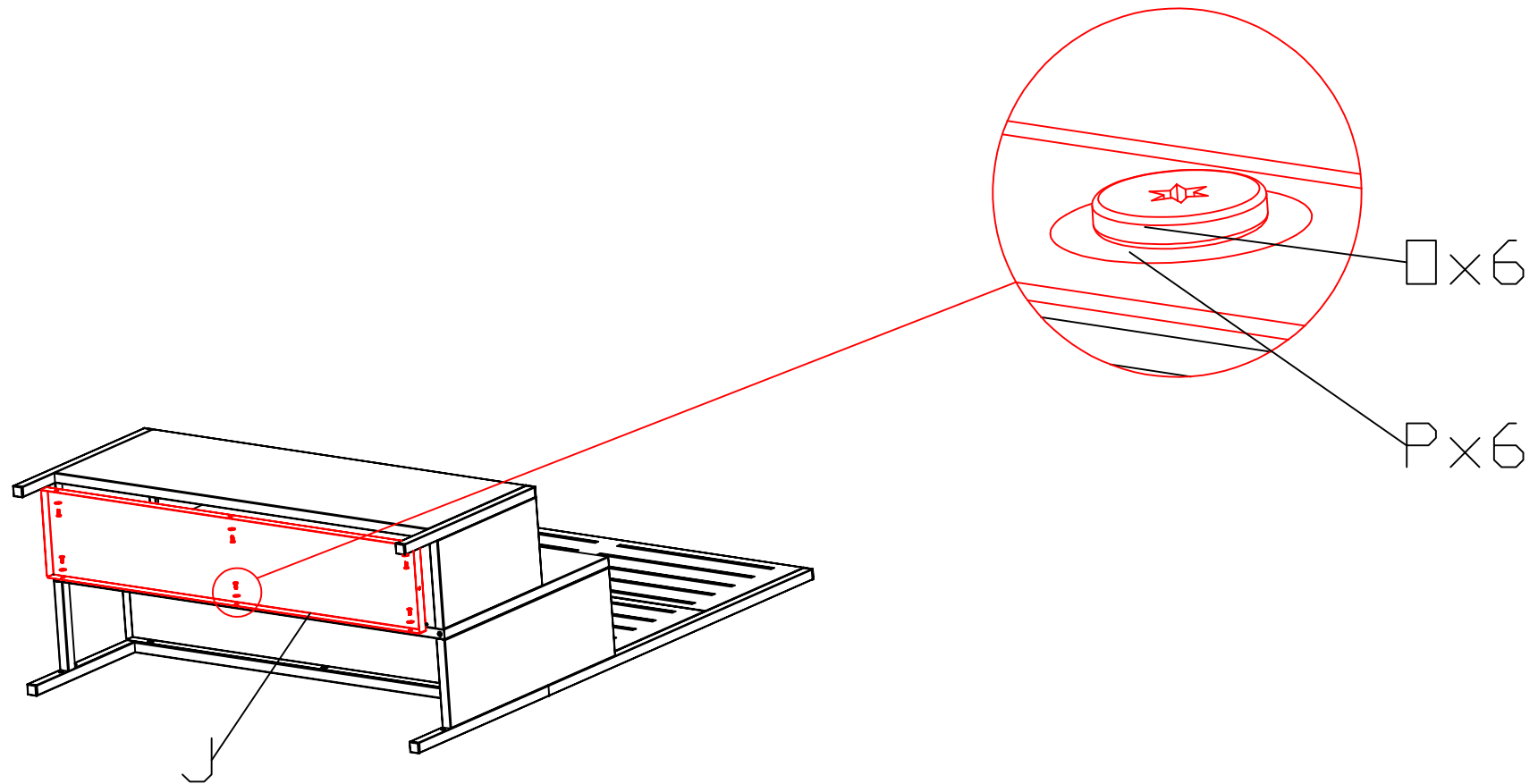
# STEP6-2



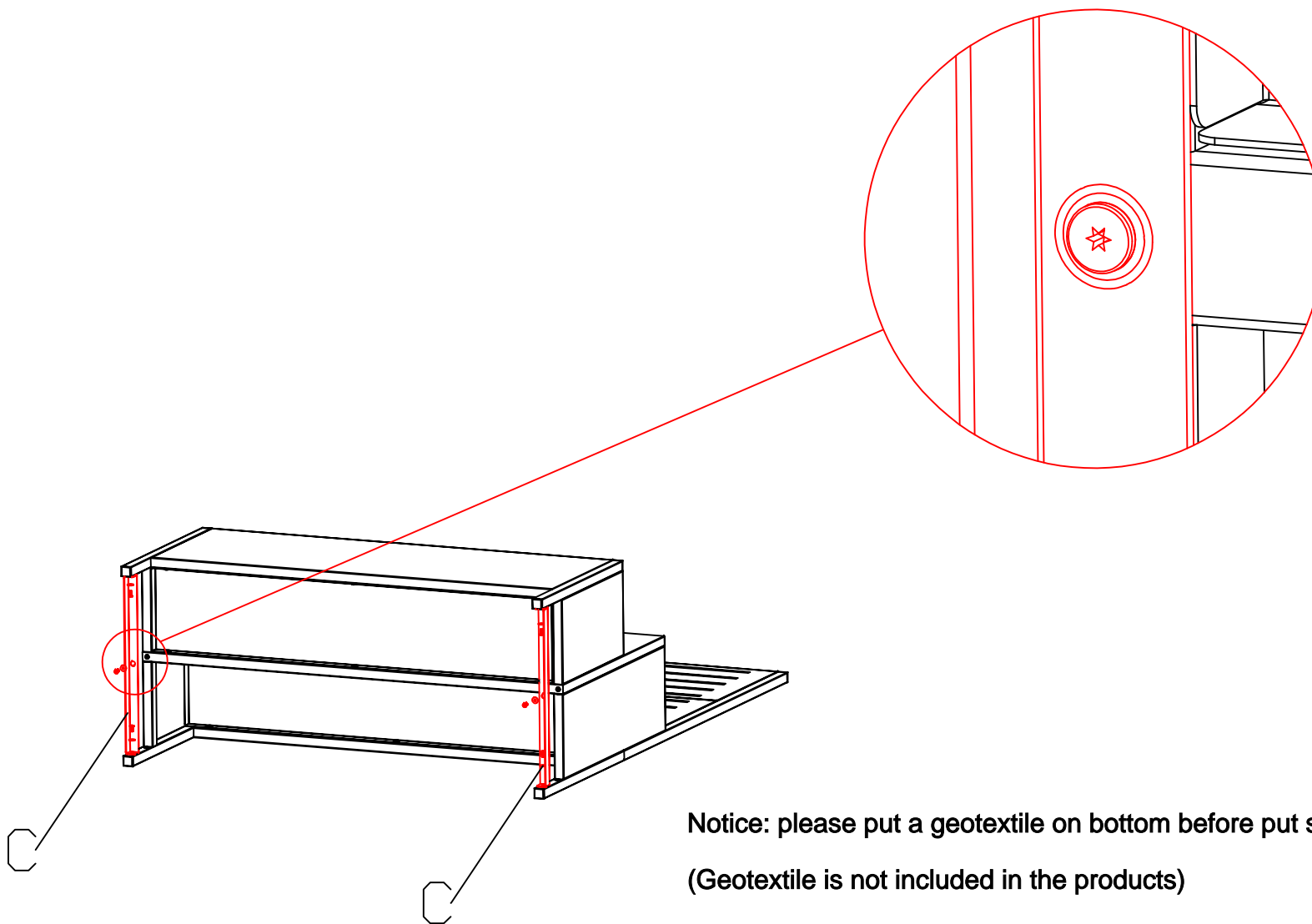
# STEP 7



# STEP 8



# STEP 9



**Notice: please put a geotextile on bottom before put soil inside of the planter.**

**(Geotextile is not included in the products)**

**For heavy windy day, please put the product beside wall to avoid blowing down.**