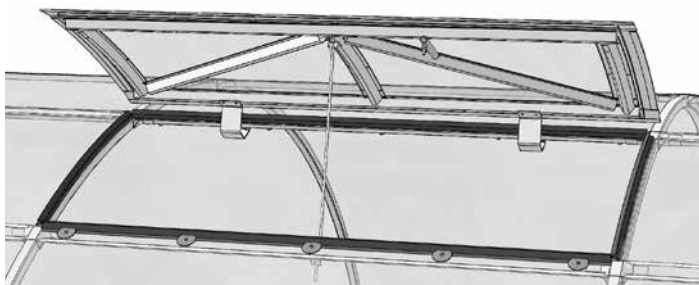


poligard

MANUAL FOR

WINDOW

FOR GREENHOUSES EASY-UP & SIGMA



EN

DISCRIPTION



Follow the greenhouse assembly instructions and use it in strict accordance with the manual and operating rules stated in the technical certificate. Please keep the technical certificate for further reference.

The vent is designed to ventilate the greenhouses. It is installed in the greenhouses with profile bearers "Betta-CB", "Betta-C", "Bettd-Euro" and "Sigma-C" with 1 m arc interval. The frame of the vent sash is made of galvanized steel and it is assembled with screws and nuts. The covering of the vent is cut out of the greenhouse polycarbonate. The kit part of the vent includes all necessary elements of clamps.






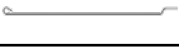
Warranty liability


















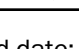
1. The manufacturer bears responsibility for the vent complete setup.
2. The manufacturer bears responsibility for the vent assemblability in accordance with the manual
3. Claim submission period is 12 months from the date of the purchase

Warranty conditions

- Warranty liabilities do not apply to the cases of:
1. the vent installation with violation of requirements of the manual
 2. the violation of the operating rules
 3. hurricanes and other natural disasters.

Kitting of parts for assembly.

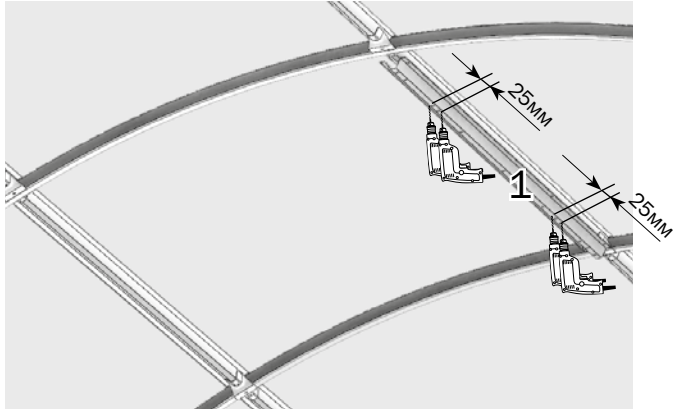
1st package					
№	mar-king	name title	length, mm		quantity, pcs.
			BETTA	SIGMA	
1	1	 long assembly part	951		2
2	2	 arc	297		3
3	3	 diagonal axis	492		2
4	-	 Vertical batten	331		2
5	-	 horizontal batten	1013		2
6	-	 fold	295		1
7	-	Strip	981	986	2
			411	405	2

2nd package				
№	name title	quantity, pcs.		
		BETTA	SIGMA	
1	 locking pipe	1		
2	 corbel piece	2		
3	 washer 4x32	11	1	
4	 washer 5x32	-	10	
5	 Screw M4x8	29	25	
6	 Screw M4x10	20	20	
7	 Screw M4x25	10	-	
8	 Screw M4x50	1	1	
9	 Screw M5x10	-	4	
10	 Screw M5x35	-	10	
11	 Screw M5x45	2	2	
12	 nut M4	61	47	
13	 nut M5	-	14	
14	 jam nut M5	2		
15	 stay bearing	2		
16	 support bearing	2		
17	 Window security chain	1		
18	 Scotch tape 25 mm	1		

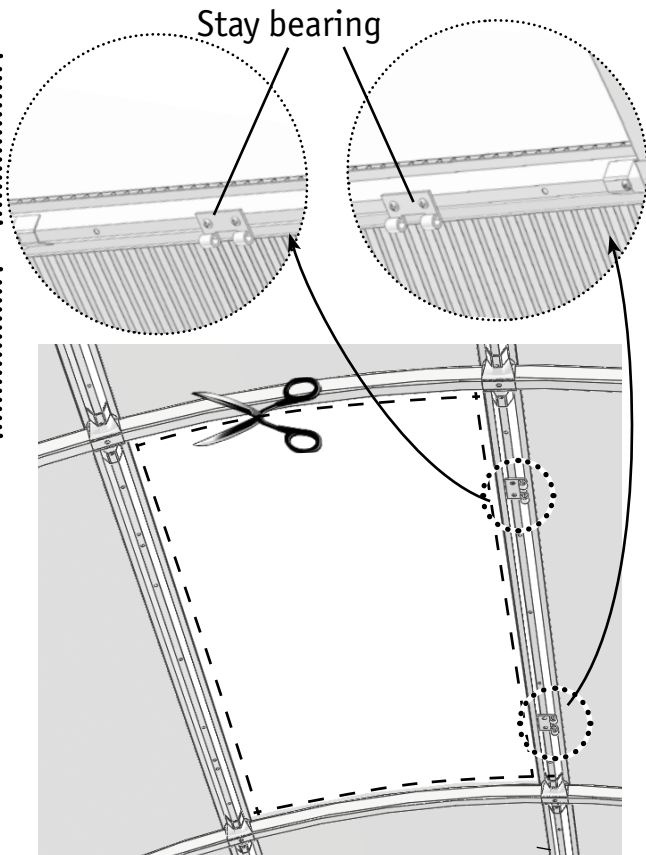
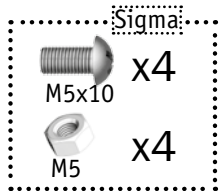
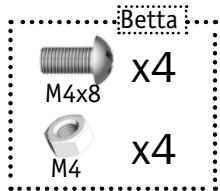
Manufactured date:

The manufacturer: 000 Volya, 8 Severny lane, Dubna, Moscow region, 141983, Russia
The manufacturer bears responsibility for the quality of products in accordance with RF CC.
The manufacturer reserves the right for vent engineering design changes.

Drill out four bores in the uppermost bearer, holding the piece 1 to the centre of the bearer.



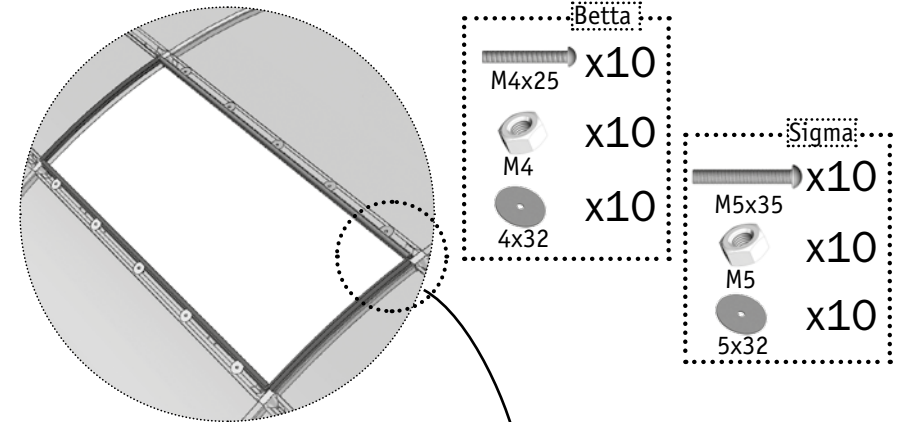
Cut out polycarbonate on as per inner contour of the vent frame. Install the stay bearings in the uppermost bearer.



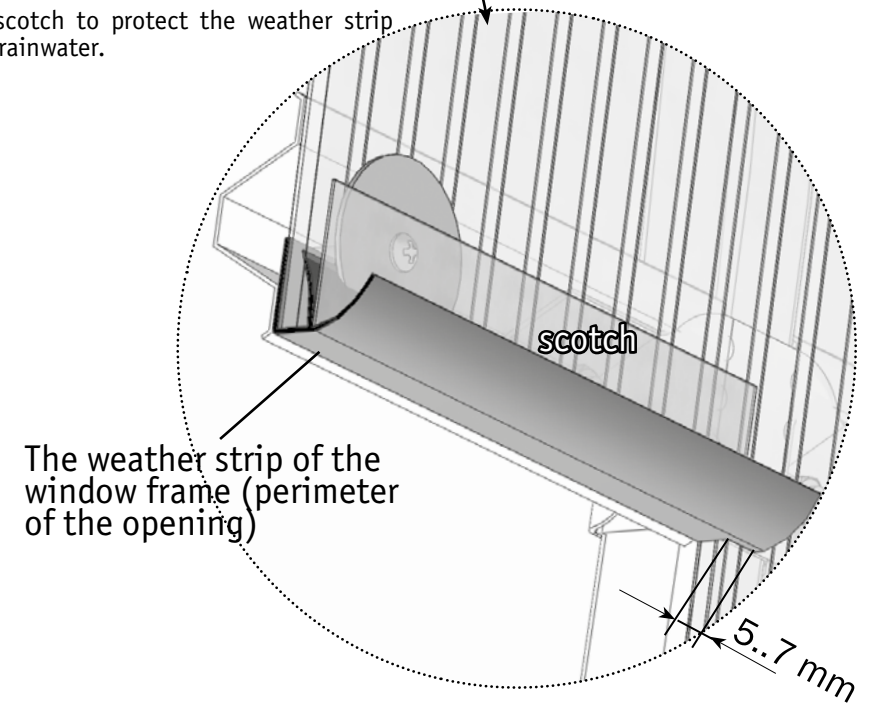
Install the strip on perimeter of the cut of the greenhouse, engaging it on the edge of the polycarbonate. The edges of the weather strip should be expelled out of the cut to drain the rainwater. Cut the hard part of the projecting edge to do it.

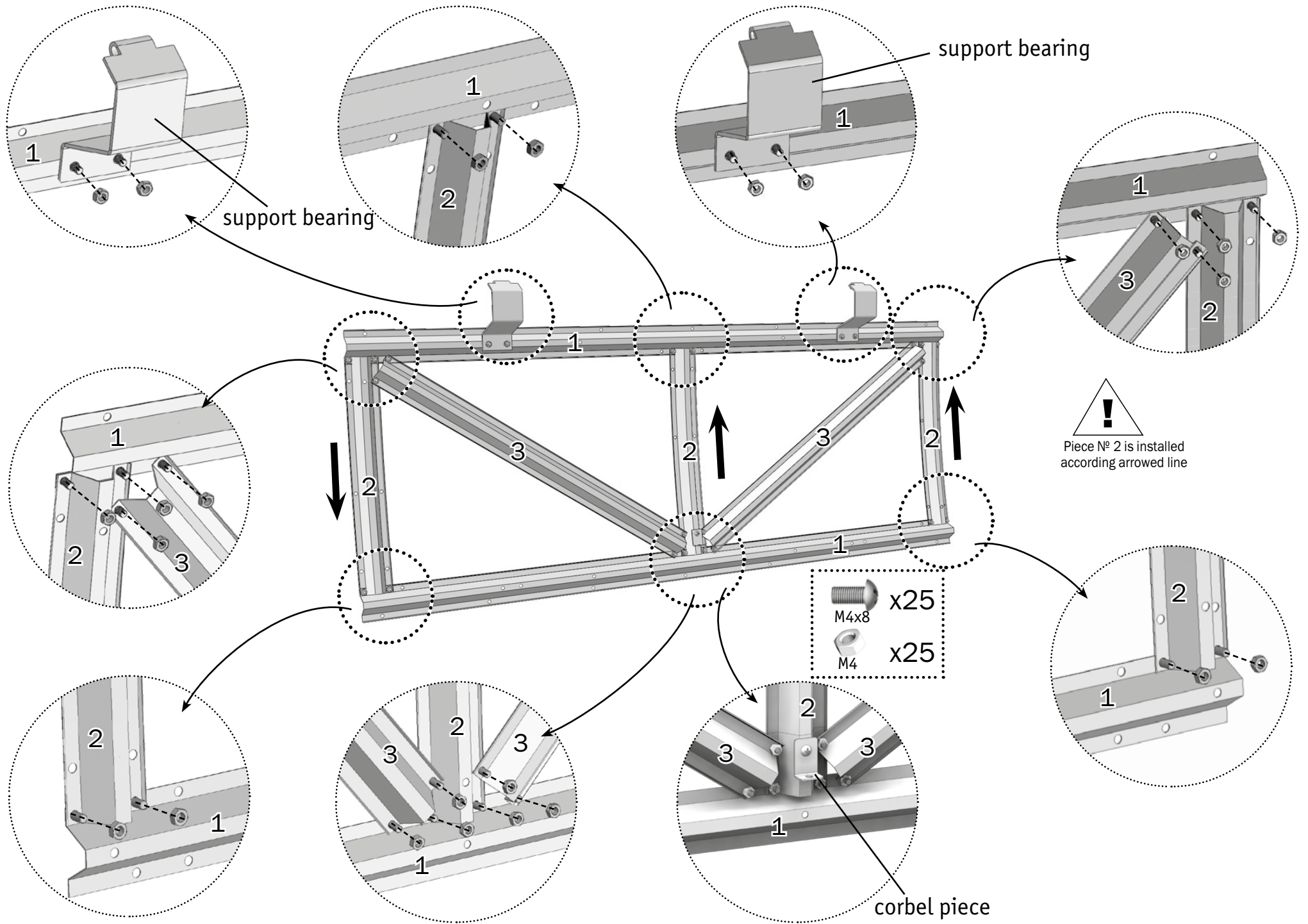


Install the washers on as per inner contour of the opening but previously drill out the bores in bearers.



Tape scotch to protect the weather strip from the rainwater.





support bearing

support bearing

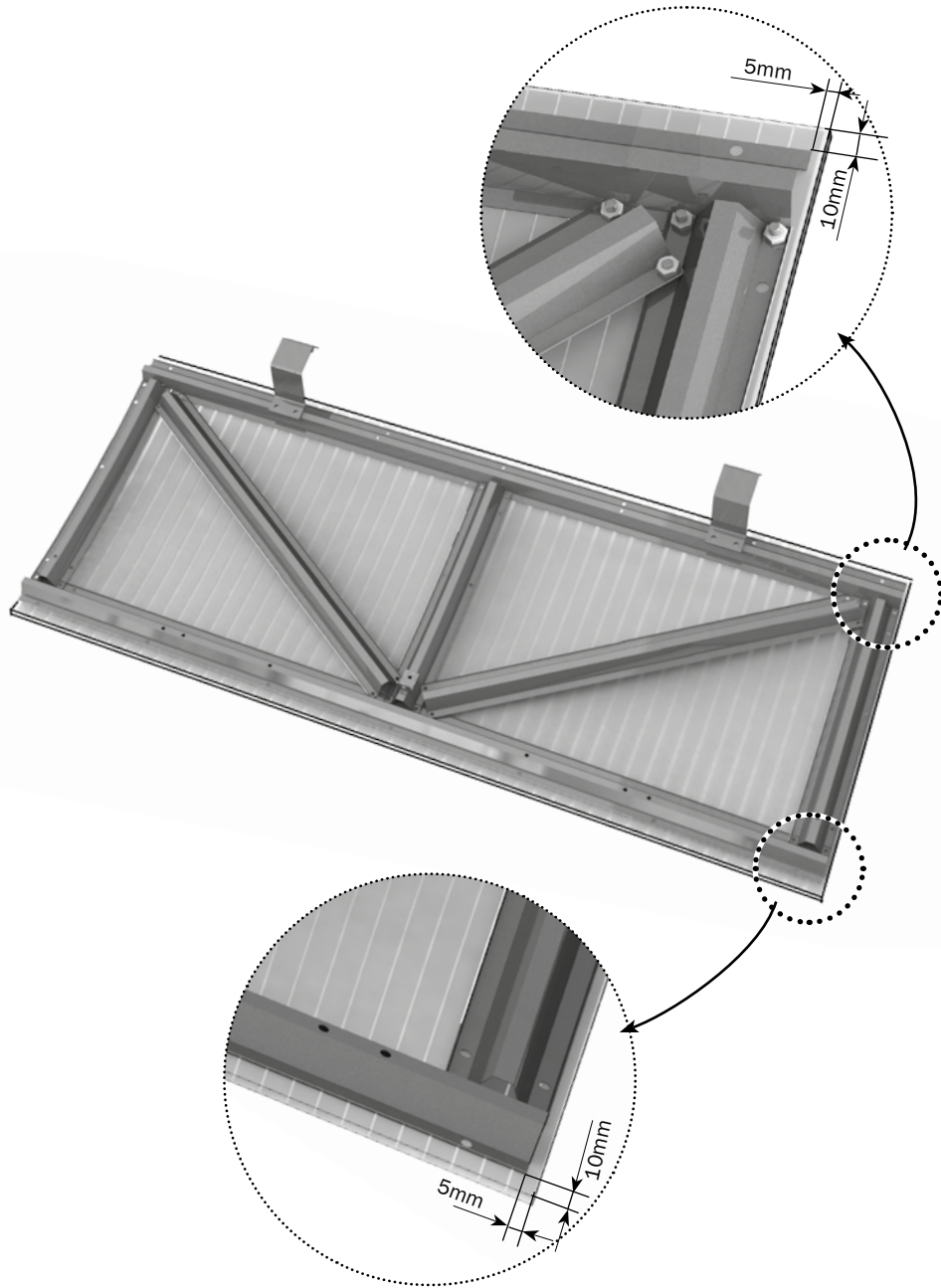
!
 Piece № 2 is installed
 according arrowed line

x25
 M4x8

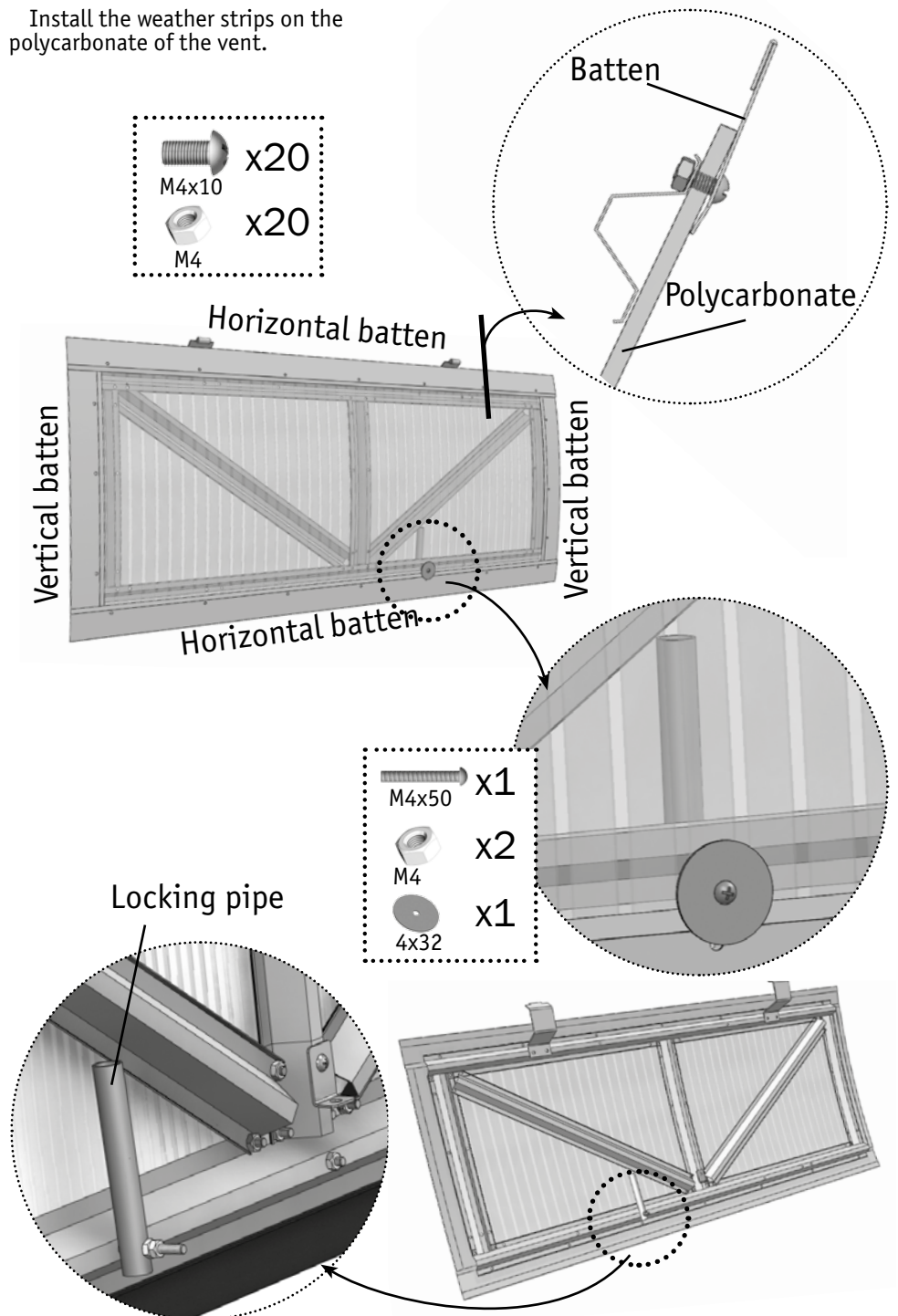
x25
 M4

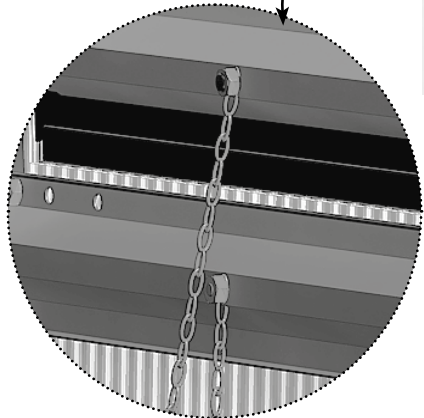
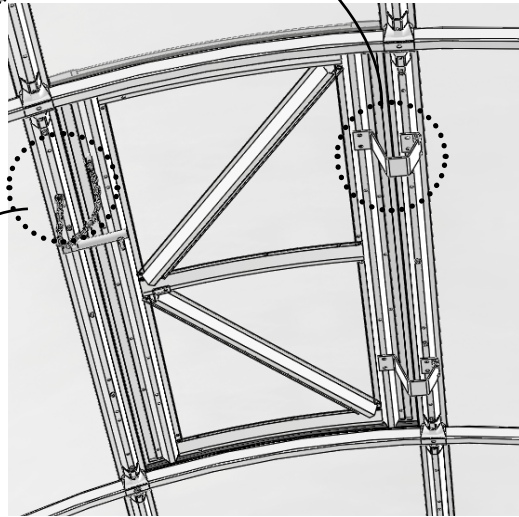
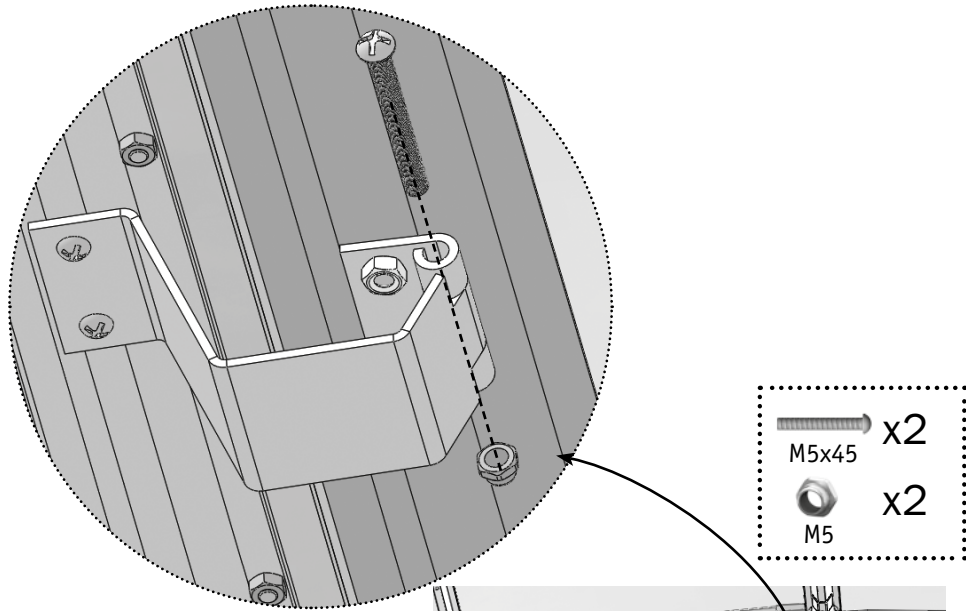
corbel piece

Overlap the cut piece of polycarbonate on the assembled frame of the vent and edge it. Don't forget about the offset.

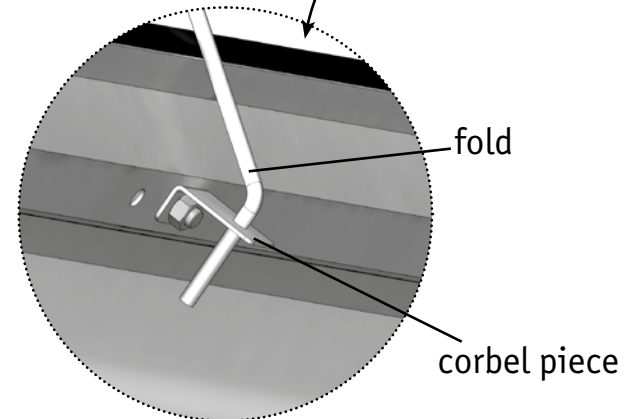
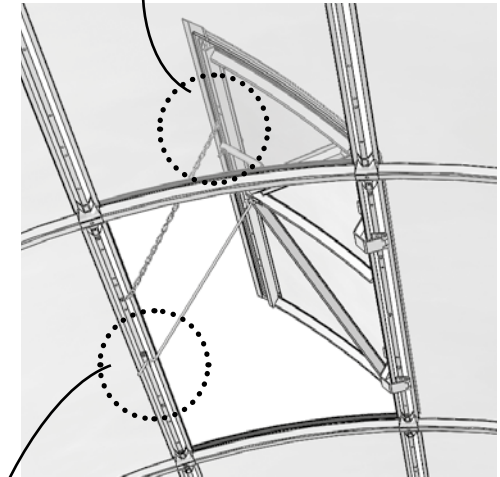
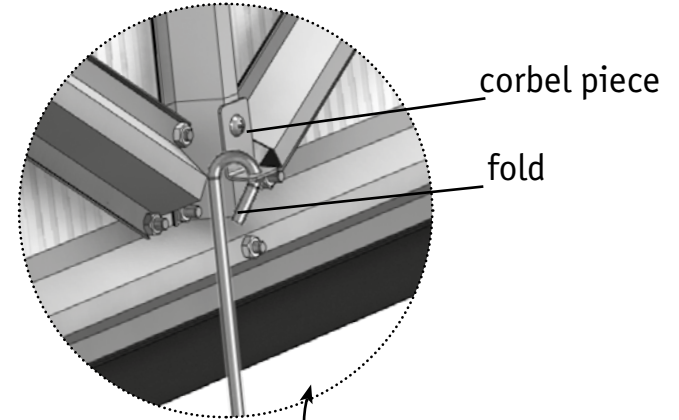


Install the weather strips on the polycarbonate of the vent.





The window security chain is fastened with screws and keeps the vent during the gusts of wind.



poligard

www.poligard.com