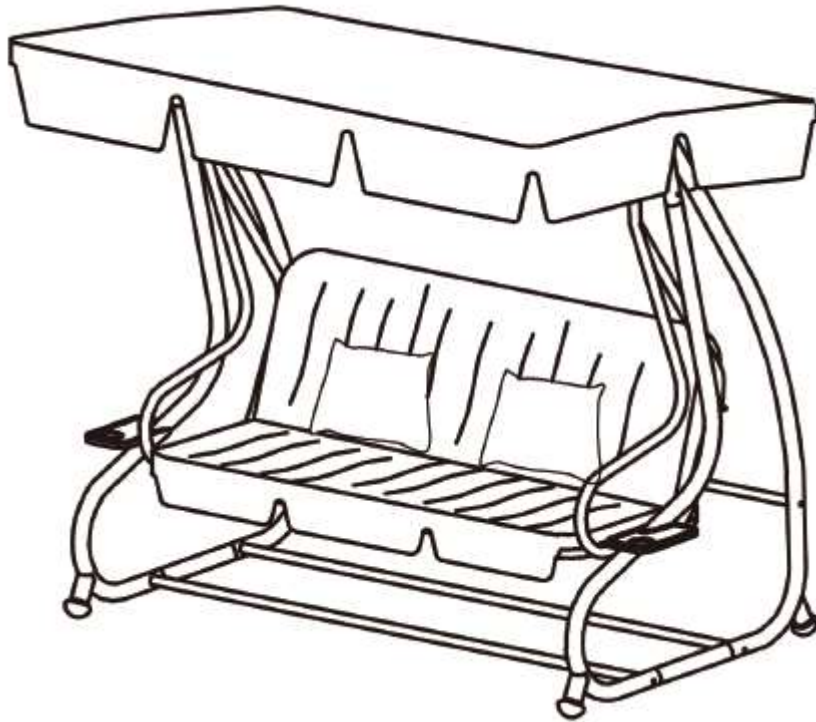


VENTURE DESIGN

HOME & INTERIOR




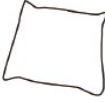



























1014-408

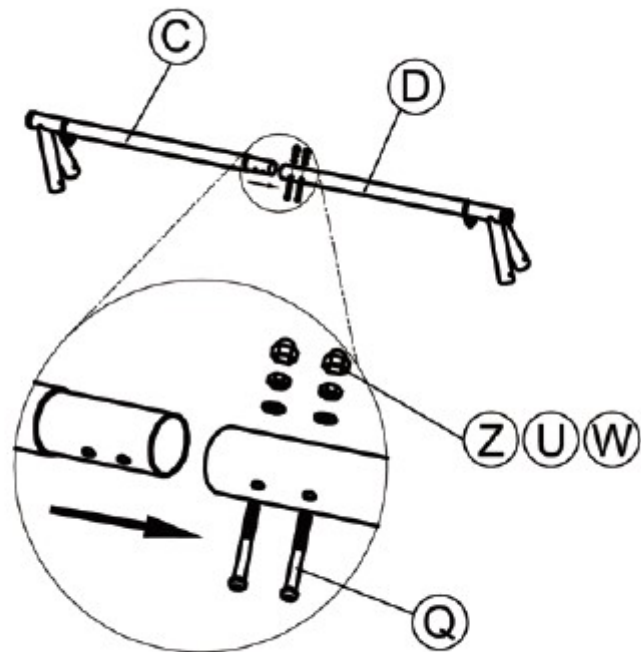
Malaga 3-seater swing

Monteringsanvisning - Assemblyinstruction - Einbauzeichnung

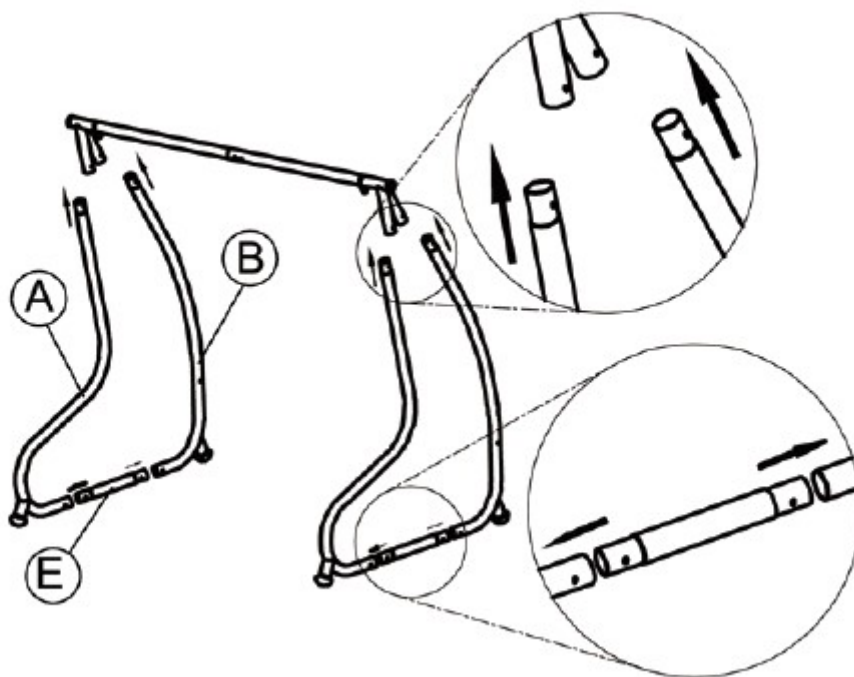


Art No.	NO.		Qty	Art No.	NO.		Qty
	A		2	1999-5827	N		1
	B		2		R		2
	C		1		O		1
	D		1	P		1	
	E		2	1999-5774	Y		2
	F		1	1999-5773	Q	 M8*56	6
	G		2		S	 M6*62	2
1999-5777	H		2		T	 M8*68	10
	I		1		U		10
	I1		1		V		2
	J		1		W		10
	K		2		X		2
	L		2		Z		12
1999-5776	M		1		AA		2
					BB		1

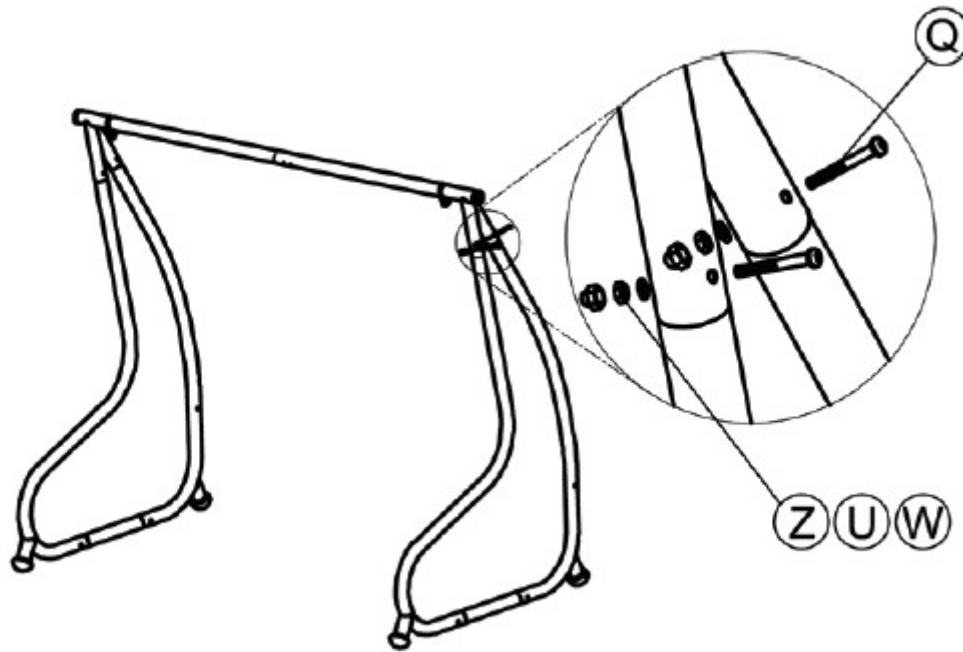
1



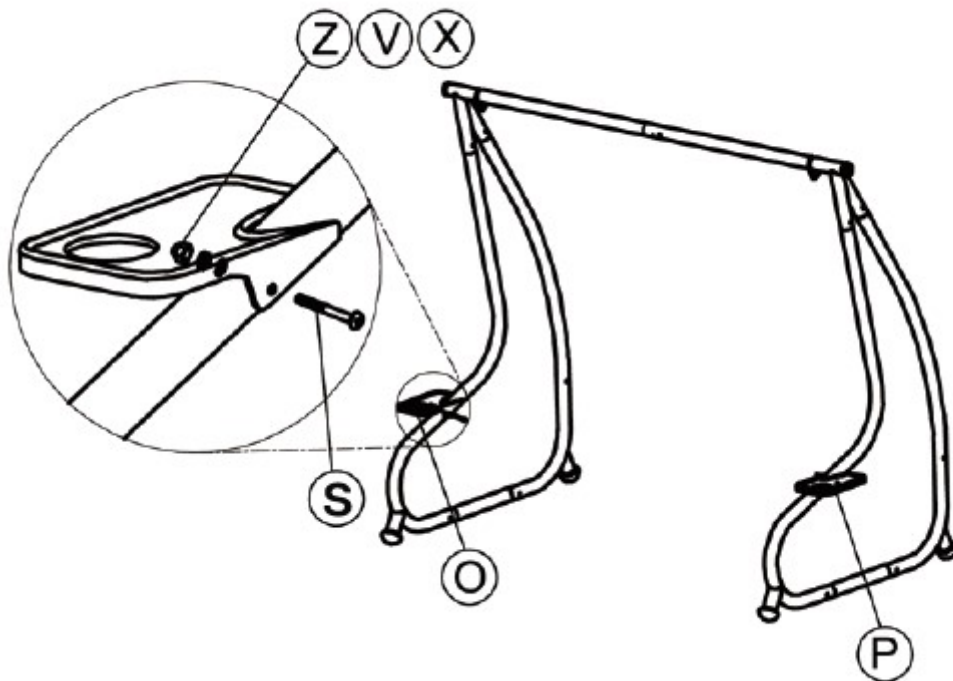
2



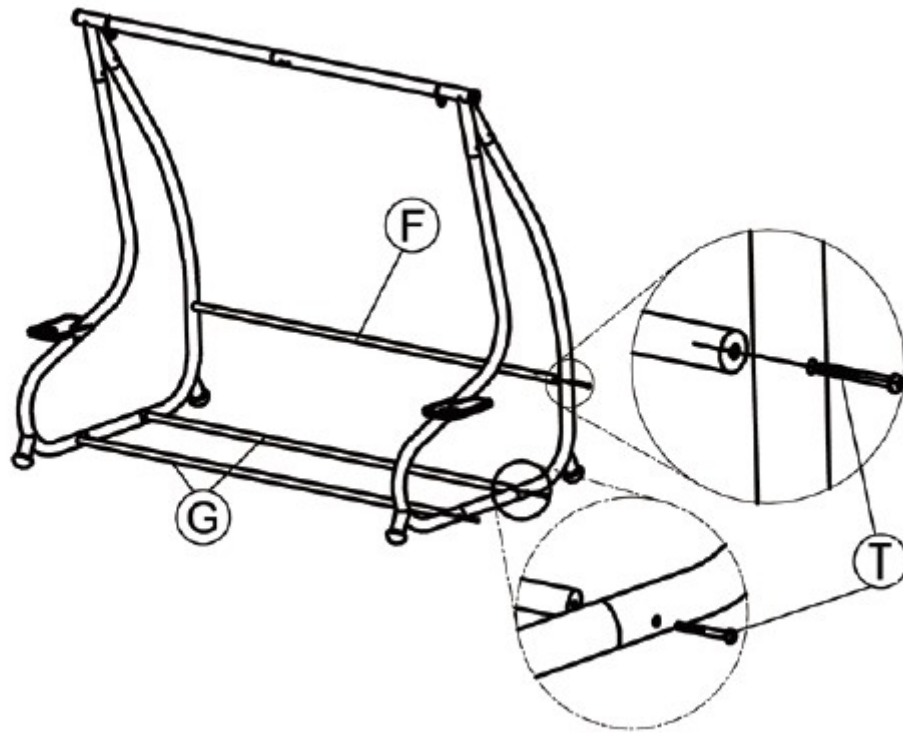
3



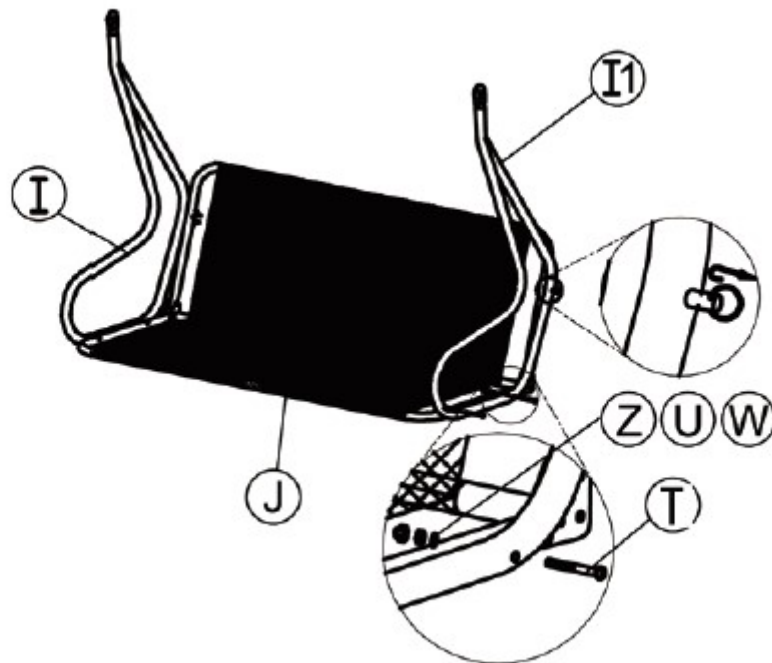
4



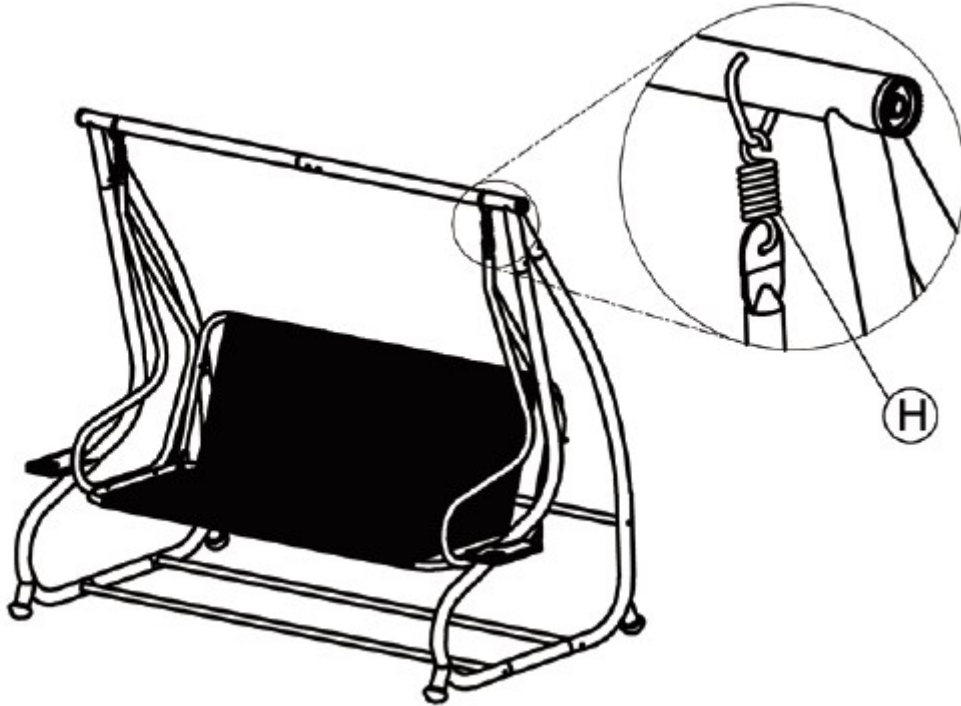
5



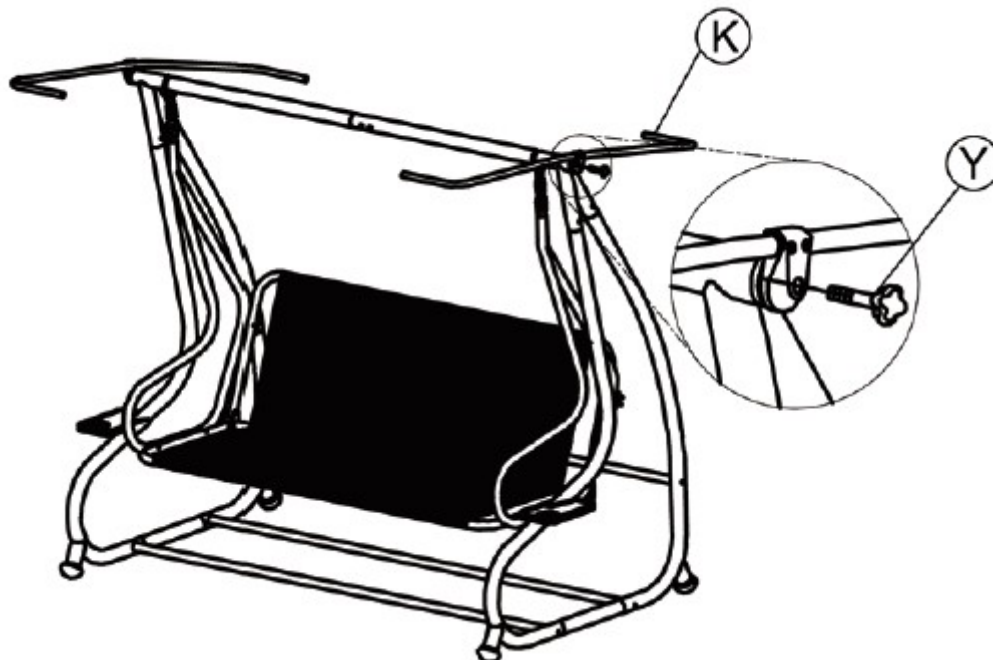
6



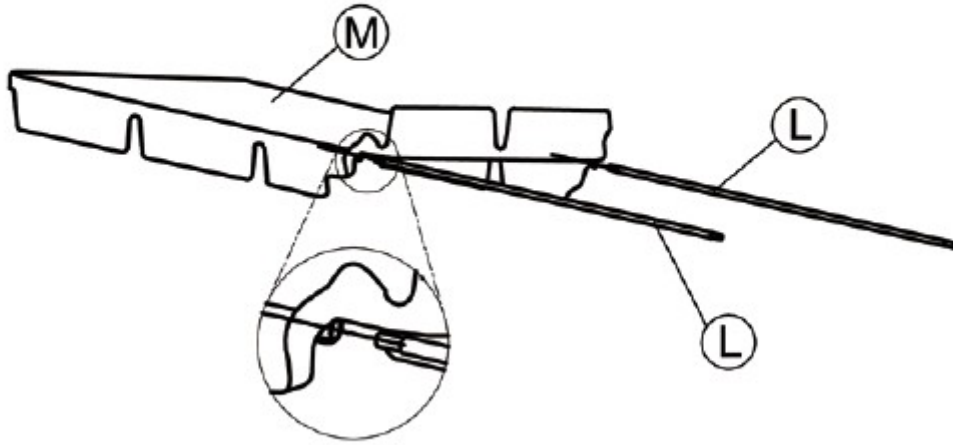
7



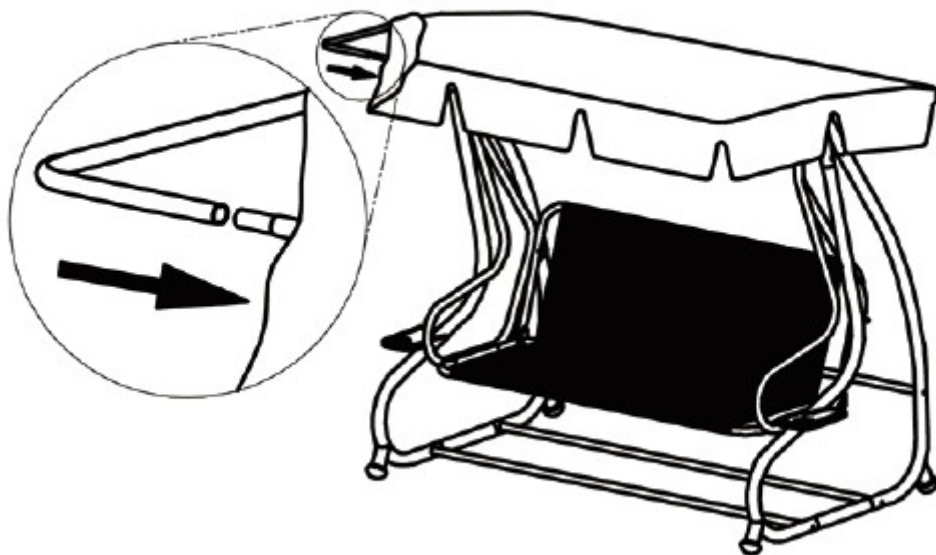
8



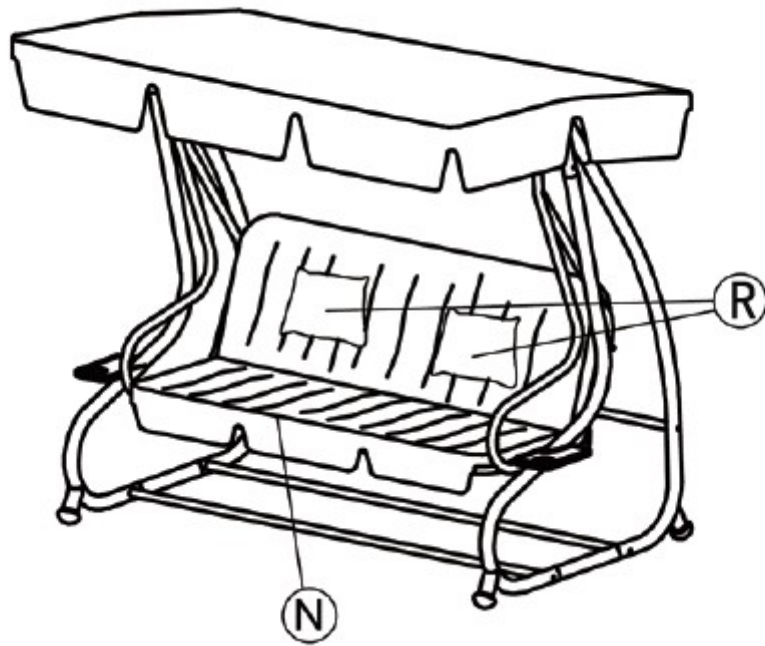
9



10



11



12

